

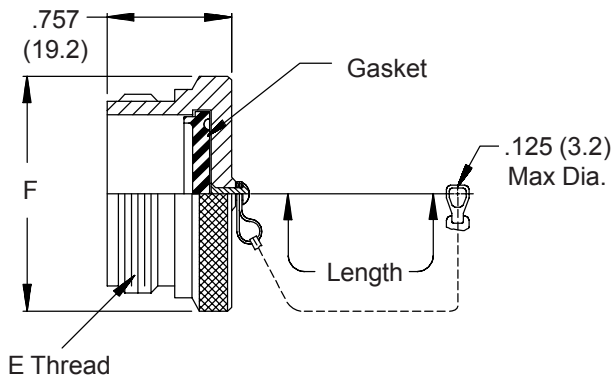
**MIL-DTL-83723
Series III
Threaded**

M83723/59-1 10 A C
 Basic Part No. _____
 M83723/59-1 = Plug Cover
 M83723/60-1 = Receptacle Cover
 Shell Size _____
 Finish _____
 A = Black Anodize
 R = Electroless Nickel
 W = Cadmium Over Electroless Nickel

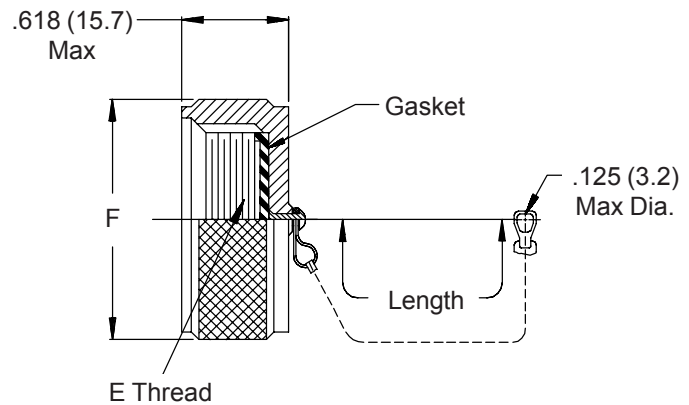
Attachment Style
 C = 5.0" (127.0) Chain
 P = 8.0" (203.2) Chain
 R = 5.0" (127.0) Rope
 T = 8.0" (203.2) Rope
 N = No Attachment

MS27292-1
 Basic Part No. _____
 MS27292 = Plug Cover
 MS27294 = Receptacle Cover
 Dash No. _____

**Superceded Part Number
See Note 3**



**M83723/59-1 Plug Cover
M27292 Plug Cover (See Note 3)**



**M83723/60-1 Receptacle Cover
M27294 Receptacle Cover (See Note 3)**

TABLE I

Shell Size	M27292 Dash No.	E Thread Class 2A/2B	F Dia Max
8	7	9/16 - 24 UNEF	.776 (19.7)
10	1	11/16 - 24 UNEF	.906 (23.0)
12	2	7/8 - 20 UNEF	1.078 (27.4)
14	3	15/16 - 20 UNEF	1.141 (29.0)
16	4	1 1/16 - 18 UNEF	1.266 (32.2)
18	5	1 3/16 - 18 UNEF	1.375 (34.9)
20	8	1 5/16 - 18 UNEF	1.510 (38.4)
22	6	1 7/16 - 18 UNEF	1.625 (41.3)
24	9	1 9/16 - 18 UNEF	1.760 (44.7)

1. For complete dimensions see applicable Military Specification.
2. Metric dimensions (mm) are indicated in parentheses.
3. MS27292 and MS27294 have a black anodize finish. Dash no.'s 1, 2, and 7 have 3.0" (76.2) wire rope attachment and other dash no.'s have a 5.0" (127.0) wire rope attachment.