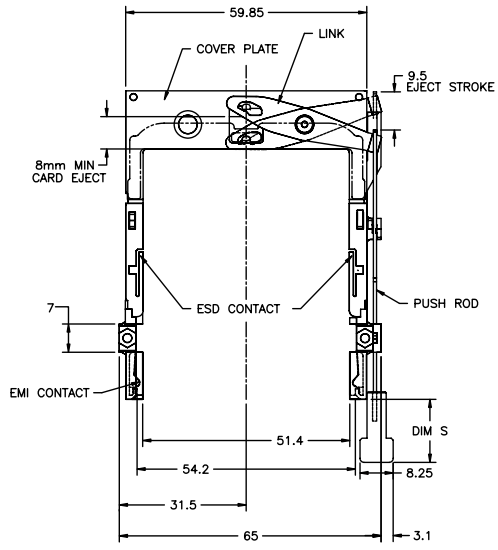


FCI CONFIDENTIAL

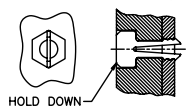
FCI

This document is the property of and embodies CONFIDENTIAL and PROPRIETARY information of FCI. No part of this information shall be disclosed, copied, or otherwise transmitted in any form or by any means without the written consent of FCI. Copyright FCI.

PRODUCT NO. NOTE ⑤	STAND-OFF DIM L	DIM S	BUTTON COLOR
95079-00CA	0		
95079-02CA	2	13	BLACK
95079-02CALF	2		
95079-04CA	4		
95079-05CA	5		
95079-00DA	0		
95079-02DA	2	15.6	BLACK
95079-04DA	4		
95079-05DA	5		
95079-00FA	0		
95079-02FA	2	21	BLACK
95079-04FA	4		
95079-05FA	5		
95079-00CH	0		
95079-02CH	2	13	NATURAL
95079-04CH	4		
95079-05CH	5		
95079-00DH	0		
95079-02DH	2	15.6	NATURAL
95079-04DH	4		
95079-05DH	5		
95079-00FH	0		
95079-02FH	2	21	NATURAL
95079-04FH	4		
95079-05FH	5		



- NOTES:
- EJECT PLATE TO MOVE ALONG INSIDE WALL OF COVER PLATE SMOOTHLY AFTER ASSEMBLING WITH HEADER.
 - MATERIAL:
PLASTIC GUIDES: POLYPHTHARAMIDE UL94V-0 BLACK
COVER PLATE: STAINLESS STEEL
EMI CONTACT: PHOSPHOR BRONZE
 - FINISH:
EMI CONTACT:
CONTACT AREA: 0.5um Au
UNDER PLATING: 2.0um Ni
 - ADD "H" TO PART NUMBER FOR OPTIONAL HOLD-DOWN (2 PER ASSEMBLY).



5 RECOMMENDED SCREW TORQUE: 1.0 TO 1.5 MAX in-lbs. (1.2-1.7 cm-kgs).

mat'l. code		surface	tolerance	projection	product family
F	V91417	CGC	7/2/99		
G	V03-0522	WL	05/29/03		
H	T03-0485	WL	11/03/03		
J	N06-0034	M Z	02/13/06	chr	Mike Zhou 05/28/06
K	N06-0135	M Z	05/25/06	engr	Mike Zhou 05/28/06
L	N06-0110	M Z	06/29/06	chr	Mike Zhou 05/28/06
				appd	Qin David 05/28/06
sheet	revision	L	K	A	
index	sheet	1	2	3	

tolerances unless otherwise specified	±0.15	title	NARROW BODY FRONT EJECT TYPE 123 MECHANISM ASS'Y
angles		scale	MM
linear		dwg no	95079
		sheet 1 of 3 size	A4
		type	CUSTOMER Drawing

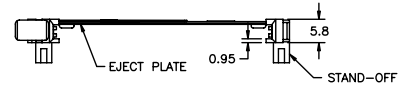
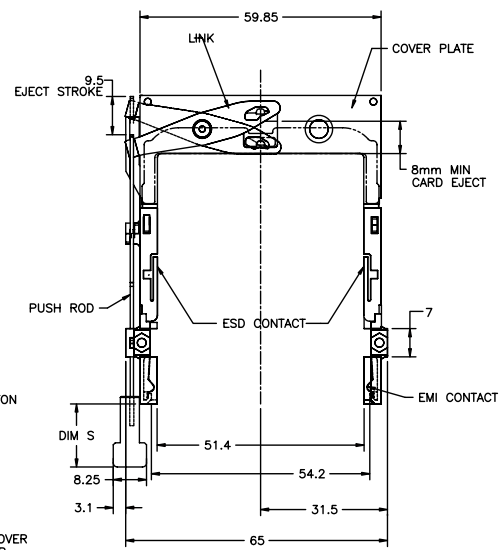
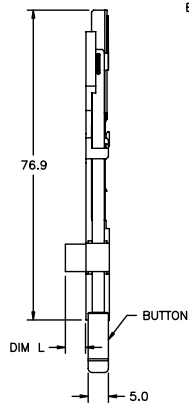
FCI CONFIDENTIAL

FCI

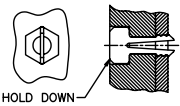
FCI

D

PRODUCT NO. NOTE ③	STAND-OFF DIM L	DIM S	BUTTON COLOR
95079-10CA	0	13	BLACK
95079-10CALF	0		
95079-12CA	2		
95079-14CA	4		
95079-15CA	5		
95079-15CAH	5	15.6	BLACK
95079-10DA	0		
95079-12DA	2		
95079-14DA	4		
95079-15DA	5		
95079-10FA	0	21	BLACK
95079-12FA	2		
95079-14FA	4		
95079-15FA	5		
95079-10CH	0		
95079-12CH	2		
95079-14CH	4		
95079-15CH	5		
95079-10DH	0	15.6	NATURAL
95079-12DH	2		
95079-14DH	4		
95079-15DH	5		
95079-10FH	0		
95079-12FH	2		
95079-14FH	4		
95079-15FH	5		



- NOTES:
- EJECT PLATE TO MOVE ALONG INSIDE WALL OF COVER PLATE SMOOTHLY AFTER ASSEMBLING WITH HEADER.
 - MATERIAL:
PLASTIC GUIDES: POLYPHTHARAMIDE UL94V-0 BLACK
COVER PLATE: STAINLESS STEEL
EMI CONTACT: PHOSPHOR BRONZE
 - FINISH:
EMI CONTACT:
CONTACT AREA: 0.5um Au
UNDER PLATING: 2.0um Ni
 - ADD "H" TO PART NUMBER FOR OPTIONAL HOLD DOWN (2 PER ASSEMBLY).



HOLD DOWN

- RECOMMENDED SCREW TORQUE: 1.0 TO 1.5 MAX in-lbs. (1.2-1.7 cm-kgs).

mat'l. code	surface	tolerance	projection	product family
ltr	ecr	no	dr	date
tolerances unless otherwise specified				title
K	angles	linear	±0.15	NARROW BODY FRONT EJECT TYPE 123 MECHANISM ASS'Y
	±2'	scale	MM	
clr	Mike Zhou	05/28/06		
engr	Mike Zhou	05/28/06		dwg no
chr	Mike Zhou	05/28/06		95079
appd	Qin David	05/28/06		sheet2of3 size
sheet	revision			A4
index	sheet			type CUSTOMER Drawing

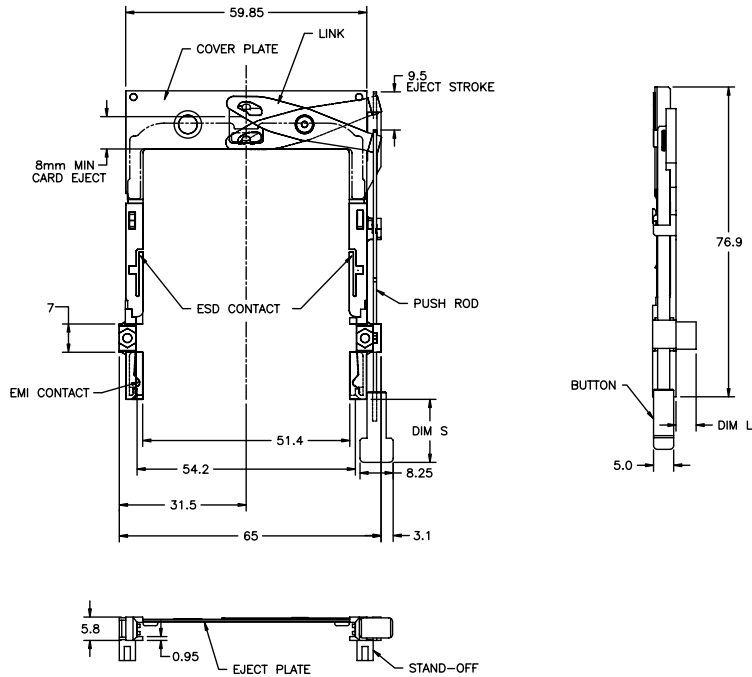
FCI CONFIDENTIAL

FCI

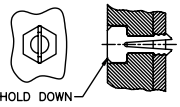
FCI

D

PRODUCT NO. NOTE ⑤	STAND-OFF DIM L	DIM S	BUTTON COLOR
95079-00MCA	0	13	BLACK



- NOTES:
- EJECT PLATE TO MOVE ALONG INSIDE WALL OF COVER PLATE SMOOTHLY AFTER ASSEMBLING WITH HEADER.
 - MATERIAL:
PLASTIC GUIDES: POLYPHTHARAMIDE UL94V-0 BLACK
COVER PLATE: STAINLESS STEEL
EMI CONTACT: PHOSPHOR BRONZE
 - FINISH:
EMI CONTACT:
CONTACT AREA: 0.5um Au
UNDER PLATING: 2.0um Ni
 - ADD "H" TO PART NUMBER FOR OPTIONAL HOLD DOWN (2 PER ASSEMBLY).



- RECOMMENDED SCREW TORQUE: 1.0 TO 1.5 MAX in-lbs. (1.2-1.7 cm-kgs).

mat'l. code	surface	tolerance	projection	product family
ltr ecn no dr date	tolerances unless otherwise specified	±0.15	MM	title
A	angles linear	±2'	scale	NARROW BODY FRONT EJECT TYPE 123 MECHANISM ASS'Y
	dr: Mike Zhou 05/25/06			dwg no 95079 sheet 3 of 3 size A4
	engr: Mike Zhou 05/25/06			type CUSTOMER Drawing
	chr: Mike Zhou 05/25/06			
	appd: Qin David 05/25/06			
sheet index	revision sheet			

PDM: Rev:L STATUS Released Printed: Oct 12, 2010 6