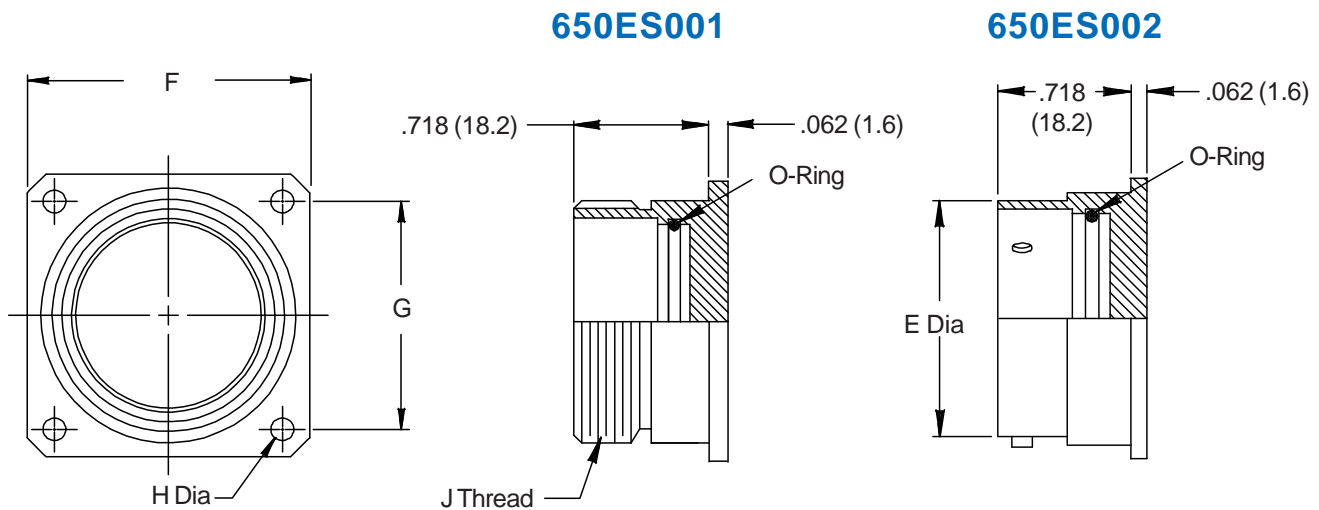
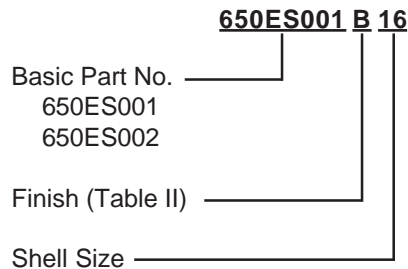


650ES001
Dummy Storage Receptacle - Threaded and Bayonet
MIL-C-26500 and MIL-C-83723 Series III



MIL-C-26500
MIL-C-83723
Series III Threaded
and Bayonet



See inside back cover fold-out or page 14 for Table II.

TABLE III: DIMENSIONS							
Shell Size	Shell Size Mil. Ref. *	E Dia	F	G	H Dia	J Thread	
08	7	.536 (13.6)	.812 (20.6)	.594 (15.1)	.125 (3.2)	9/16 - 24 UNEF	
10	1	.659 (16.7)	.937 (23.8)	.719 (18.3)	.125 (3.2)	11/16 - 24 UNEF	
12	2	.829 (21.1)	1.031 (26.2)	.812 (20.6)	.125 (3.2)	7/8 - 20 UNEF	
14	3	.898 (22.8)	1.125 (28.6)	.906 (23.0)	.125 (3.2)	15/16 - 20 UNEF	
16	4	1.025 (26.0)	1.250 (31.8)	.969 (24.6)	.125 (3.2)	1 1/16 - 18 UNEF	
18	5	1.131 (28.7)	1.343 (34.1)	1.062 (27.0)	.125 (3.2)	1 3/16 - 18 UNEF	
20	8	1.256 (31.9)	1.437 (36.5)	1.156 (29.4)	.125 (3.2)	1 5/16 - 18 UNEF	
22	6	1.381 (35.1)	1.562 (39.7)	1.250 (31.8)	.125 (3.2)	1 7/16 - 18 UNEF	
24	9	1.506 (38.3)	1.703 (43.3)	1.375 (34.9)	.154 (3.9)	1 9/16 - 18 UNEF	

* MS27296 and MS27297

Metric dimensions (mm) are indicated in parentheses.