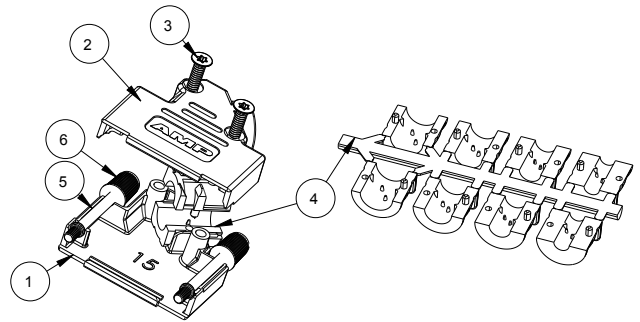
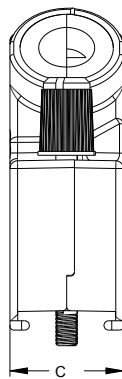
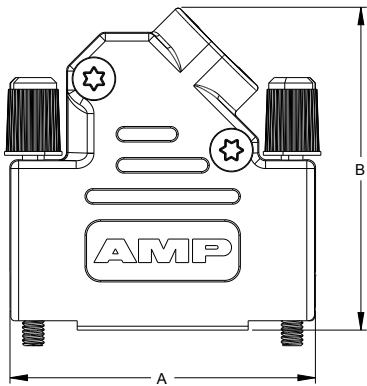


THIS DRAWING IS UNPUBLISHED. RELEASED FOR PUBLICATION
 © COPYRIGHT 20 BY TYCO ELECTRONICS CORPORATION. ALL INTERNATIONAL RIGHTS RESERVED.

LOC	DIST	REVISIONS				
P	LTR	DESCRIPTION	DATE	DWN	APVD	
G		ECR-11-007193	07/04/11	MJG	JA	



1. FOR ASSEMBLY DETAILS REFER TO LEAFLET 1478530-1

2. BULK PACKAGED SHELL ASSEMBLIES.
 SHELL ASSEMBLY COMPONENTS PACKAGED SEPARATELY
 IN BAGS. 100 COMPONENTS PER BAG.
 ONE LEAFLET 1478530-1 PER PACK OF 100 PARTS

3. INDIVIDUAL PACKAGED SHELL ASSEMBLIES.
 ONE BAG CONTAINS ALL COMPONENTS FOR ONE
 FULL ASSEMBLY & ONE LEAFLET 1478530-1

3	14.6	40.2	69.7	TORX	4-40 UNC	4	37 WAY	5-1478763-4
3	14.6	40.2	53.2	TORX	4-40 UNC	3	25 WAY	5-1478763-3
3	14.6	40.2	39.5	TORX	4-40 UNC	2	15 WAY	5-1478763-2
3	14.6	36.2	31.0	TORX	4-40 UNC	1	9 WAY	5-1478763-1
2	14.6	40.2	53.2	TORX	M3	3	25 WAY	4-1478763-7
2	14.6	40.2	39.5	TORX	M3	2	15 WAY	4-1478763-6
2	14.6	36.2	31.0	TORX	M3	1	9 WAY	4-1478763-5
2	14.6	40.2	69.7	TORX	4-40 UNC	4	37 WAY	3-1478763-7
2	14.6	40.2	53.2	TORX	4-40 UNC	3	25 WAY	2-1478763-5
2	14.6	40.2	39.5	TORX	4-40 UNC	2	15 WAY	1-1478763-5
2	14.6	36.2	31.0	TORX	4-40 UNC	1	9 WAY	1478763-9
PACKAGING	C DIM	B DIM	A DIM	FIXING SCREW TYPE	JACKSCREW THREAD	SHELL SIZE	POSITION	PART NO

6	JACKSCREW KNOB	POLYAMIDE UL94 V2		2
5	JACKSCREW	CARBON STEEL	NICKEL	2
4	STRAIN RELIEF	POLYCARBONATE UL94 V0		2
3	FIXING SCREW	CARBON STEEL	NICKEL	2
2	BACKSHELL TOP	ZINC DIE CAST	NICKEL	1
1	BACKSHELL BOTTOM	ZINC DIE CAST	NICKEL	1
ITEM	DESCRIPTION	MATERIAL	FINISH	QTY

THIS DRAWING IS A CONTROLLED DOCUMENT FOR TYCO ELECTRONICS CORPORATION. IT IS SUBJECT TO CHANGE AND THE CONTROLLING ENGINEERING ORGANIZATION SHOULD BE CONTACTED FOR THE LATEST REVISION.

DWN	M.GREENER	02MAR2011
CHK	J.AMBROSE	02MAR2011
APVD	J.AMBROSE	02MAR2011
PRODUCT SPEC	-	
APPLICATION SPEC	-	
WEIGHT	-	
CUSTOMER DRAWING	-	

STE TE Connectivity
 Bideford, North Devon, EX39 4HE

NAME: **ADK SERIES DIE-CAST BACKSHELL 45 DEGREE ENTRY**

SIZE: A3 CAGE CODE: 00779 DRAWING NO: C-1478763 RESTRICTED TO: -

SCALE: NTS SHEET 1 OF 1 REV G

1478-19 (2/09)