



380-115
EMI/RFI Non-Environmental Backshell
 with Strain Relief
Type B - Rotatable Coupling - Low Profile

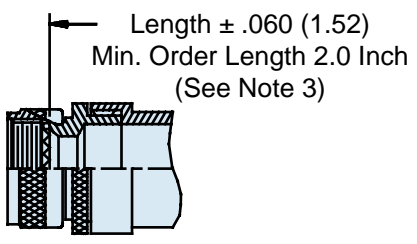
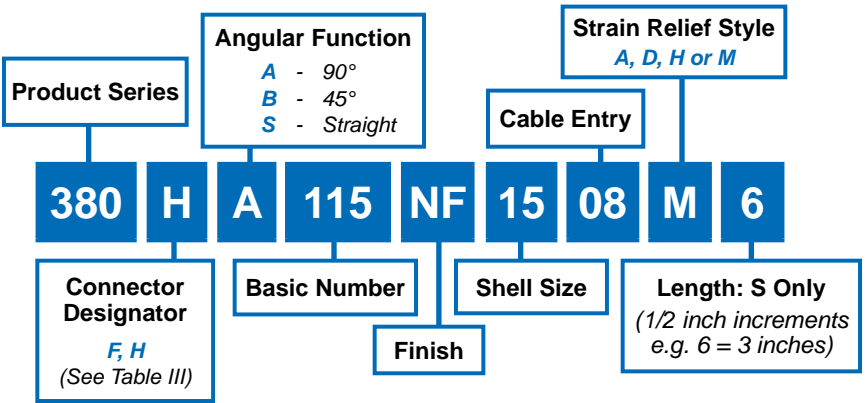
CONNECTOR DESIGNATORS

MIL-DTL-38999 Series I, II (F)
 MIL-DTL-38999 Series III and IV (H)

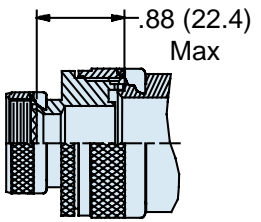
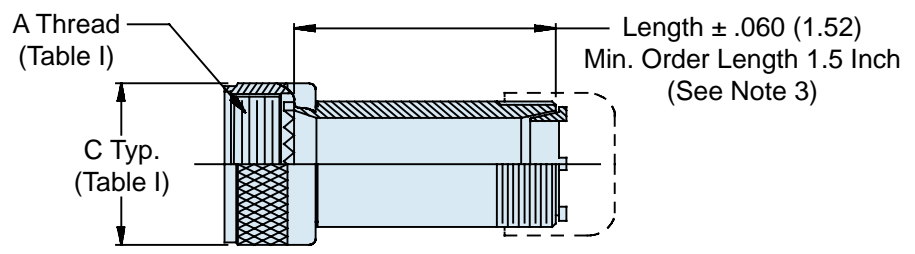
F-H

ROTATABLE COUPLING

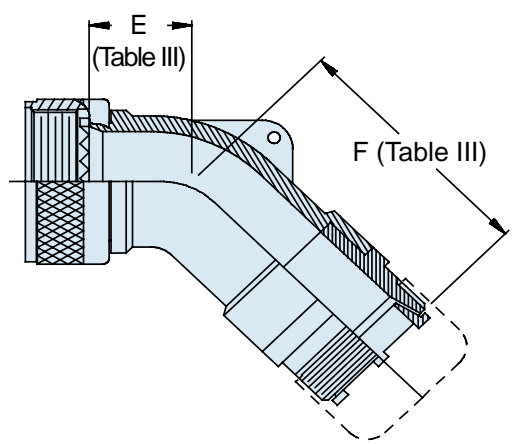
TYPE B INDIVIDUAL AND/OR OVERALL SHIELD TERMINATION



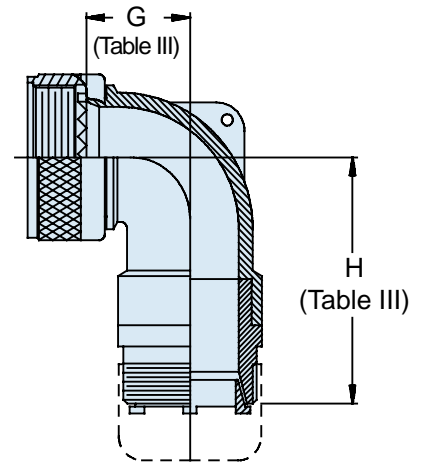
STYLE 2
 (STRAIGHT)
 See Note 1)



STYLE 2
 (45° & 90°)
 See Note 1)



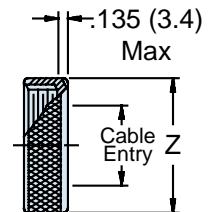
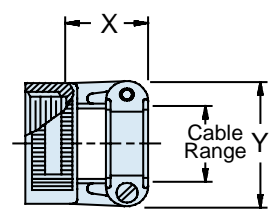
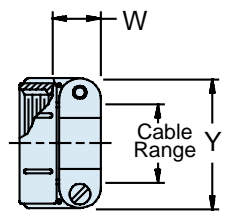
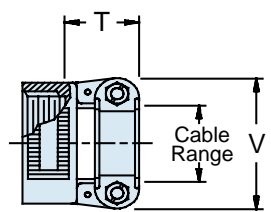
STYLE H
 Heavy Duty
 (Table IV)



STYLE A
 Medium Duty
 (Table IV)

STYLE M
 Medium Duty
 (Table IV)

STYLE D
 Medium Duty
 (Table IV)



© 2008 Glenair, Inc. CAGE CODE 06324 Printed in U.S.A.

GLENAIR, INC. • 1211 AIR WAY • GLENDALE, CA 91201-2497 • 818-247-6000 • FAX 818-500-9912
 www.glenair.com **G-18** E-Mail: sales@glenair.com



380-115
EMI/RFI Non-Environmental Backshell
with Strain Relief
Type B - Rotatable Coupling - Low Profile



TABLE III: ELBOW DIMENSIONS

| Connector Designator F | Connector Designator H | E Max | F Max | G Max | H Max |
|------------------------|------------------------|--------------|--------------|--------------|--------------|
| 08 | 09 | .457 (11.6) | 1.674 (42.5) | .500 (12.7) | 1.684 (42.8) |
| 10 | 11 | .520 (13.2) | 1.734 (44.0) | .595 (15.1) | 1.804 (45.8) |
| 12 | 13 | .582 (14.8) | 1.794 (45.6) | .610 (15.5) | 1.824 (46.3) |
| 14 | 15 | .645 (16.4) | 1.884 (47.9) | .700 (17.8) | 1.894 (48.1) |
| 16 | 17 | .738 (18.7) | 1.994 (50.6) | .885 (22.5) | 1.984 (50.4) |
| 18 | 19 | .926 (23.5) | 2.184 (55.5) | .975 (24.8) | 2.154 (54.7) |
| 20 | 21 | .926 (23.5) | 2.184 (55.5) | .975 (24.8) | 2.154 (54.7) |
| 22 | 23 | 1.020 (25.9) | 2.334 (59.3) | 1.125 (28.6) | 2.264 (57.5) |
| 24 | 25 | 1.020 (25.9) | 2.334 (59.3) | 1.125 (28.6) | 2.264 (57.5) |
| 28 | | 1.145 (29.1) | 2.384 (60.6) | 1.225 (31.1) | 2.434 (61.8) |
| 32 | | 1.207 (30.7) | 2.484 (63.1) | 1.575 (40.0) | 2.684 (68.2) |
| 36 | | 1.238 (31.4) | 2.574 (65.4) | 1.775 (45.1) | 2.684 (68.2) |

TABLE II: FINISHES

| Symbol | Finish |
|--------|---|
| B | Cadmium Plate, Olive Drab |
| C | Anodize, Black |
| GB | Black Anodize, Hard Coat |
| M | Electroless Nickel |
| N | Cad Plate, Olive Drab over Electroless Nickel |
| NF | Cadmium Plate, Olive Drab over Electroless Nickel |
| MT | Ni-PTFE 1000 Hour Grey™ Nickel Fluorocarbon Polymer |
| ZN | Zinc-Nickel |

TABLE IV: CABLE CLAMP CABLE RANGE

| Dash No. | T Max | V Max | Cable Range | |
|----------|--------------|--------------|--------------|--------------|
| | | | Min | Max |
| 04 | .780 (19.8) | .957 (24.3) | .125 (3.2) | .312 (7.9) |
| 06 | .780 (19.8) | 1.145 (29.1) | .250 (6.4) | .437 (11.1) |
| 08 | .780 (19.8) | 1.332 (33.8) | .312 (7.9) | .562 (14.3) |
| 10 | .780 (19.8) | 1.332 (33.8) | .350 (8.9) | .625 (15.9) |
| 12 | .811 (20.6) | 1.551 (39.4) | .500 (12.7) | .750 (19.1) |
| 16 | .905 (23.0) | 1.770 (45.0) | .625 (15.9) | .937 (23.8) |
| 20 | 1.092 (27.7) | 2.113 (53.7) | .875 (22.2) | 1.250 (31.8) |
| 24 | 1.124 (28.5) | 2.363 (60.0) | 1.000 (25.4) | 1.375 (34.9) |
| 28 | 1.399 (35.5) | 2.770 (70.4) | 1.250 (31.8) | 1.625 (41.3) |
| 32 | 1.399 (35.5) | 3.020 (76.7) | 1.437 (36.5) | 1.875 (47.6) |

APPLICATION NOTES

1. When maximum cable entry is exceeded, Style II will be supplied. Dimensions F, G, H and J will not apply. Please consult factory.
2. Cable range is defined as the accommodation range for the wire bundle or cable. Dimensions shown are not intended for inspection criteria.
3. Consult factory about shorter lengths on straight backshells.
4. Metric dimensions (mm) are indicated in parentheses.

TABLE IV (Continued): CABLE CLAMP CABLE RANGE

| Dash No. | W Max | X Max | Y Max | Z Max | Cable Range | |
|----------|--------------|--------------|--------------|--------------|--------------|--------------|
| | | | | | Min** | Max |
| 03* | .437 (11.1) | .760 (19.3) | .843 (21.4) | .630 (16.0) | .156 (4.0) | .250 (6.4) |
| 04* | .437 (11.1) | .760 (19.3) | .906 (23.0) | .755 (19.2) | .188 (4.8) | .312 (7.9) |
| 06* | .500 (12.7) | .760 (19.3) | 1.093 (27.8) | .942 (23.9) | .281 (7.1) | .438 (11.1) |
| 08 | .563 (14.3) | .760 (19.3) | 1.187 (30.1) | 1.067 (27.1) | .344 (8.7) | .562 (14.3) |
| 10 | .563 (14.3) | .760 (19.3) | 1.281 (32.5) | 1.192 (30.3) | .375 (9.5) | .625 (15.9) |
| 12 | .563 (14.3) | .760 (19.3) | 1.500 (38.1) | 1.380 (35.1) | .438 (11.1) | .750 (19.1) |
| 16 | .656 (16.7) | 1.073 (27.3) | 1.719 (43.7) | 1.535 (39.0) | .562 (14.3) | .938 (23.8) |
| 20 | .656 (16.7) | 1.323 (33.6) | 2.062 (52.4) | 1.848 (46.9) | .750 (19.1) | 1.250 (31.8) |
| 24 | .656 (16.7) | 1.323 (33.6) | 2.312 (58.7) | 2.255 (57.3) | .781 (19.8) | 1.375 (34.9) |
| 28 | 1.188 (30.2) | 1.572 (39.9) | 2.719 (69.1) | 2.505 (63.6) | .969 (24.6) | 1.625 (41.3) |
| 32* | 1.187 (30.1) | 1.572 (39.9) | 2.969 (75.4) | 2.755 (70.0) | 1.125 (28.6) | 1.875 (47.6) |
| 40* | 1.125 (28.6) | 1.572 (39.9) | 3.531 (89.7) | 3.255 (82.7) | 1.469 (37.3) | 2.375 (60.3) |

* Not available in Style M clamp.

** Not Applicable Style D

