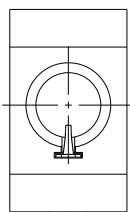
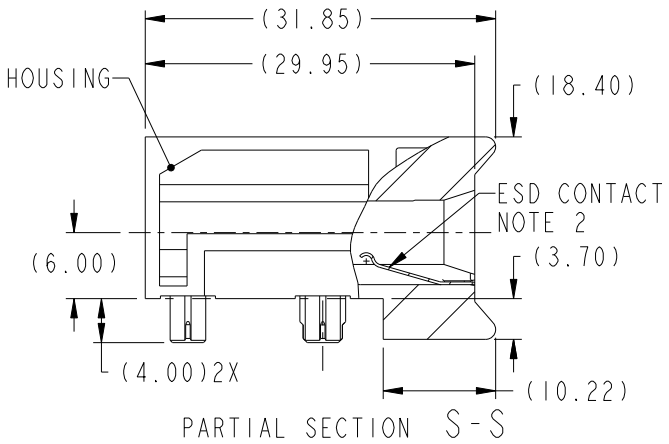


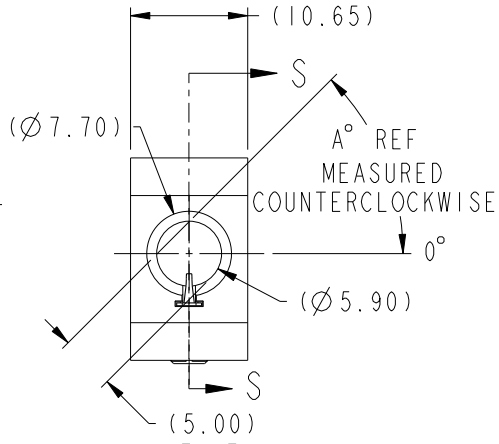
PRODUCT NUMBER
SEE TABLE, SHT 2



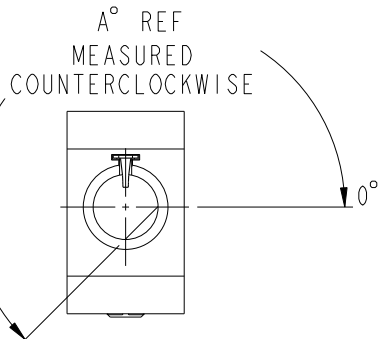
VIEW H
ESD ORIENTATION



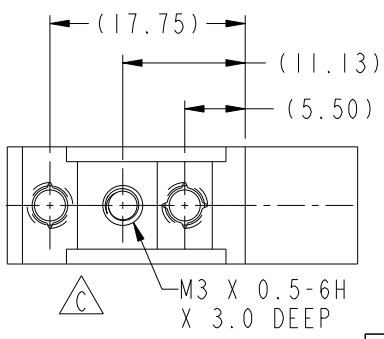
PARTIAL SECTION S-S



VIEW F
ESD ORIENTATION
(P/N 10037912-102 SHOWN)



VIEW G
ESD ORIENTATION



rev	ecn no	dr	date
A	V05-0103	AR	2005-01-27
B	V05-0262	AR	2005-03-29
C	S10-0118	YK	2010-06-02
-	-	-	-
-	-	-	-

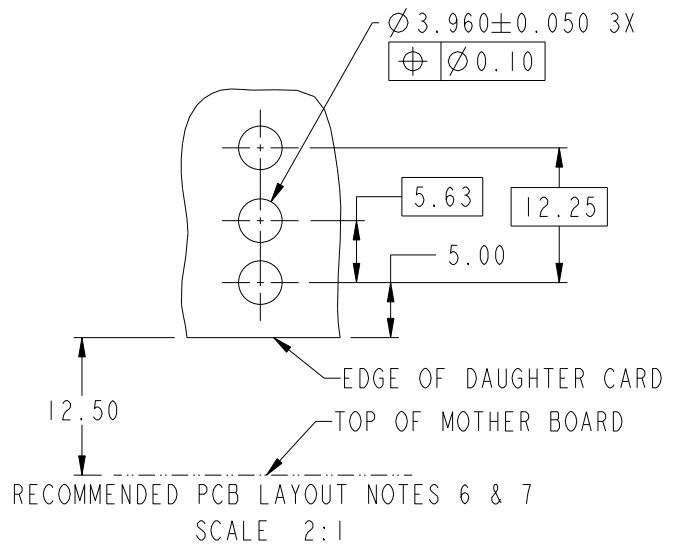
www.fciconnect.com		surface 3.2	tolerance std	projection	MM
		ASME Y14.5	ASME Y14.5		Scale 1:1
TOLERANCES UNLESS OTHERWISE SPECIFIED					
Dr	A. RAISTRICK	2004-08-03	ANGULAR	0.x ±.3	size A4
Eng	Y. K. LIM	2010-06-02	LINEAR	0.xx ±.10	ECN S10-0118
Chr	C. H. TAN	2010-06-02	0° ±2°	0.xxx ±.050	
Appr	JOEY NG	2010-06-02	Product Affinity Accessories Spec ref		
				part no	10037912
10.8mm GUIDE MODULE ASSY				Rev.	C
WITH ESD & KEYING OPTIONS				customer	sheet 1 of 3
catalog no					

Copyright FCI.

REV C - 2010-03-28

PDM: Rev:C STATUS:Released 4 Printed: Dec 01, 2010

PRODUCT NUMBER NOTES 4 & 8	DIM A	ESD PIN LOCATION
10037912-1X1LF	0°	PER VIEW F
10037912-1X2LF	45°	PER VIEW F
10037912-1X3LF	90°	PER VIEW F
10037912-1X4LF	135°	PER VIEW G
10037912-1X5LF	180°	PER VIEW G
10037912-1X6LF	225°	PER VIEW G
10037912-1X7LF	270°	PER VIEW G
10037912-1X8LF	315°	PER VIEW F
10037912-1X9LF	N/A NOTE 5	PER VIEW H



FCJ
 Copyright FCI.

FCJ	title	10.8mm GUIDE MODULE ASSY	drwg no	10037912	Rev.	C
	catalog no	WITH ESD & KEYING OPTIONS	-	CUSTOMER	sheet	2 of 3

PDM: Rev:C STATUS:Released ⁴Printed: Dec 01, 2010

1 2 3 4

A

B

C

D

- ①. MATERIAL: ZINC ALLOY
- ②. FINISH: HOUSING; ZINC YELLOW CHROMATE
ESD CONTACT; 1.27um MINIMUM NICKEL ALL OVER
- 3. APPLICATION SPEC: GS-20-045
- ④. X = 0 FOR MODULES WITH ESD GROUNDING OPTION
X = 1 FOR MODULES W/O ESD GROUNDING OPTION
- ⑤. FOR THE -109LF VERSION (NO KEY) THE MATING GUIDE PIN MUST BE ORIENTATED SO IT MAKES CONTACT WITH THE ESD PIN
- ⑥. THRU HOLE PLATING AND ANNULAR RINGS MUST BE ADDED AS APPROPRIATE FOR APPLICATIONS WITH THE ESD GROUNDING OPTION. FINISHED HOLE SIZE IS THE SAME REGARDLESS OF PLATED BARREL OR NOT
- ⑦. REFER TO CUSTOMER DRAWING 10035911 FOR INFORMATION REGARDING PCB LAYOUT OF POWER AND GUIDE MODULES RELATIVE TO SIGNAL MODULES
- ⑧. EQUIVALENT PRODUCTS SHOWN ON CUSTOMER DRAWING 10025408 MAY BE SUBSTITUTED PRIOR TO TOOLING COMPLETION
- 9. THIS PRODUCT MEETS EUROPEAN UNION DIRECTIVES AND OTHER COUNTRY REGULATIONS AS DESCRIBED IN GS-22-008.
- 10. PACKAGING MEETS GS-14-920 LEAD FREE LABELING SPECIFICATION.
- 11. A $\triangle C$ SYMBOL WILL BE NEXT TO ANY DIMENSION, VIEW, OR NOTE WHICH HAS BEEN MODIFIED WITH THE CURRENT DRAWING REVISION.



Copyright FCJ.

	title	10.8mm GUIDE MODULE ASSY	drwg no	10037912	Rev.	C
		WITH ESD & KEYING OPTIONS				
	catalog no	-	CUSTOMER	sheet	3 of 3	

REV E - 2006-03-28

1 2

PDM: Rev:C STATUS:Released ⁴Printed: Dec 01, 2010