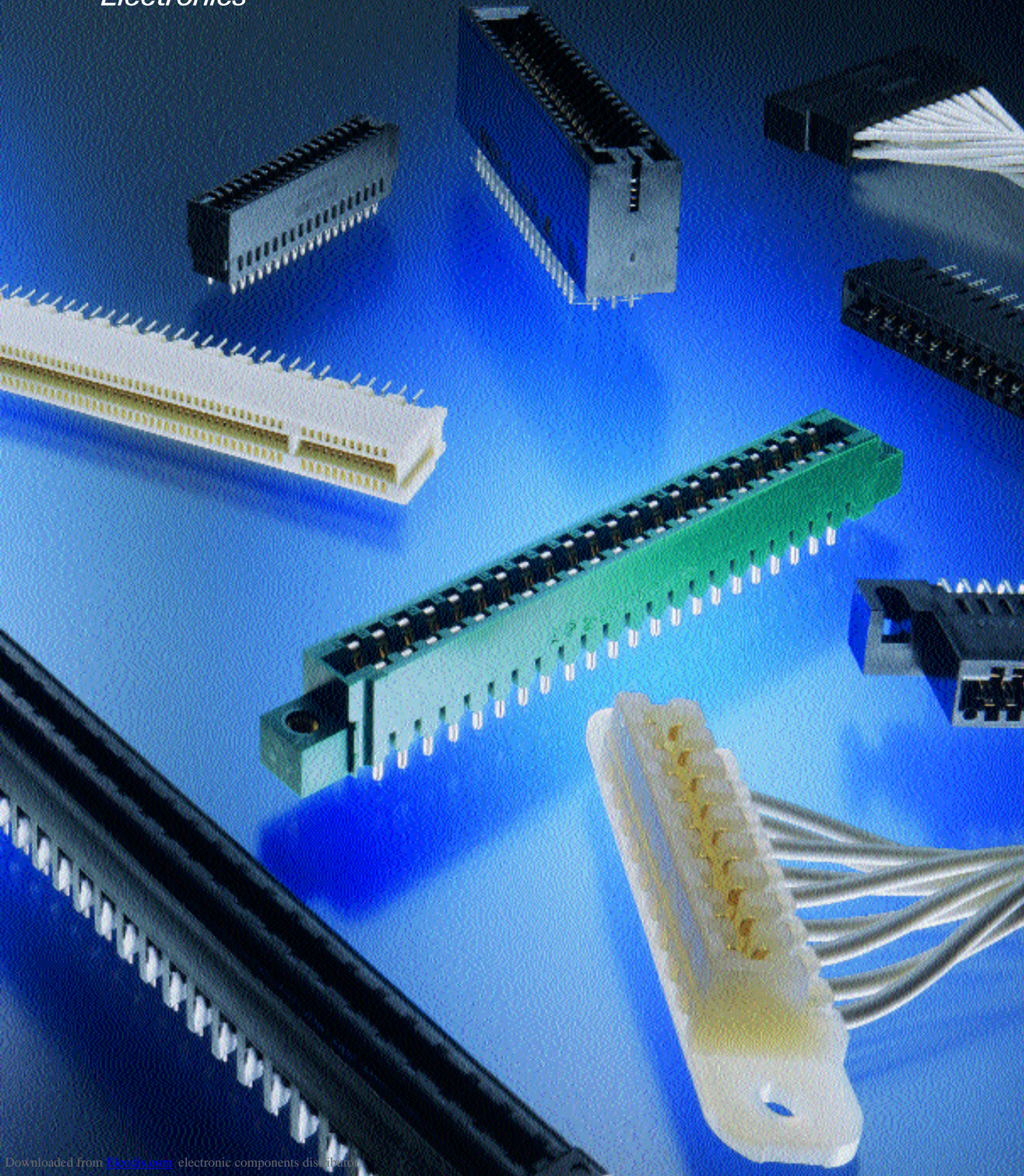


tyco

Electronics

Card Edge Connectors
Catalog 1654080 Issued 7-03

AMP



Introduction

This catalog contains product descriptions of AMP Card Edge Connectors. These connectors are presented in three groups: Solder Type Board-to-Board, Press-fit Board-to-Board, and Wire-to-Board connectors.

To assist you in the selection of the appropriate connector for your application, a selection guide is provided at the beginning of each section. See the Table of Contents on the following page for the exact location.

A comprehensive description and features of a partic-

ular printed circuit board connector family are provided at the beginning of that section. Various technical documents are referenced in the connector family sections and are listed and described at the rear of this catalog.

The Tyco Electronics products presented in this catalog are designed and manufactured according to the highest possible standards of quality and craftsmanship. They offer optimum reliability at the lowest possible cost.

Need more information?

Call Technical Support at the numbers listed at the bottom of the catalog pages.

Technical Support is staffed with specialists well versed in Tyco Electronics products. They can provide you with:

- Technical Support
- Catalogs
- Technical Documents
- Product Samples
- Tyco Electronics Authorized Distributor Locations

Dimensioning:

Dimensions are in inches and millimeters unless specified otherwise. Values in brackets are metric equivalents.

Metric symbols used are:

- m (meter)
- mm (millimeter)
- mm² (square millimeter)
- kg (kilogram)
- C (Celsius)
- N (newton)

Note: Dimensions in this catalog are for reference purposes only. Customer drawings are available upon request.

© Copyright 1992, 1996 and 2002 by Tyco Electronics. All Rights Reserved.

AMP, ACTION PIN, AMP-DURAGOLD, AMP-LEAF, AMP-O-LECTRIC, AMP-O-MATIC, AMPOMATOR, AMP PACE, CERTI-CRIMP, DUO-TYNE, ECONOMATE, TELEDENSITY, and TYCO are trademarks.

Other products, logos, and company names mentioned herein may be trademarks of their respective owners.

Produced under a Quality Management System certified to ISO 9001

A copy of the certificate is available upon request



Table of Contents

Solder Type Board-to-Board Connectors

Introduction2
 Selection Guide4-6

Standard Edge Series Connectors

Standard Edge .050 PCI Card Edge Connectors7-10
 Standard Edge .050 Series Connectors11-14
 Standard Edge II Connectors15-27

Cantilever Beam Dip Solder Tails Overview

.....28
 .100" [2.54] Centerline29-34
 .125" [3.18] Centerline35-37
 .156" [3.96] Centerline38-40

Modified Bellows Contact Overview

.....41
 .100" [2.54] Centerline42-47
 .125" [3.18] Centerline48-52
 .156" [3.96] Centerline53-56

Polarization Keys

.....57

Standard Daughter Card Layout

.....57

Low Profile Connectors

.....58-63

Twin Leaf Mother Board Connectors

.....64-72

Rotary Cam ZIF Connectors

.....73-82

Linear ZIF Connectors

.....83-96

Press-Fit Board-to-Board Connectors

ACTION PIN Press-Fit Contacts97
 AMP PACE Connectors98-115
 TELEDENSITY Connectors116-118
 ECONOMATE Connectors119-126

Cantilever Beam Press-Fit Connectors Overview

.....127
 .050" [1.27] High Density128-129
 .100" [2.54] Centerline130-140
 .125" [3.18] Centerline141-144
 .156" [3.96] Centerline145-148

Application Tooling149-151

Wire-to-Board Connectors

Introduction152
 Selection Guide153
 Crimp Snap Twin Leaf Connectors154-163
 AMP-LEAF Connectors164-172
 High Current Connectors173-176
 DUO-TYNE Flag Connectors177-180
 Printed Circuit Board Connector Hood Assemblies181-183
 Application Tooling184,185

Technical Documents

.....186,187

Part Number Index

.....188-201

Tyco Electronics Related Product Information

.....202

Selection Guide, Board-to-Board Connectors

Selection Guide

Introduction

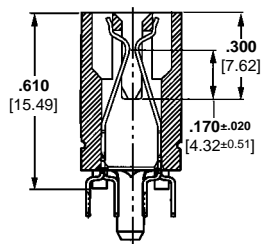
Board-to-board (mother/daughter board) connectors are ideally suited to back-plane wiring or any other application requiring the circuit connection of one printed circuit board to another. Designed to shorten manufacturing time and reduce applied costs, these one-step, pre-assembled connectors are ready for mounting and mass insertion.

Many of the connectors are available with the proven and reliable ACTION PIN contact. This unique contact has superior electrical and physical characteristics that are top of the line in the industry.

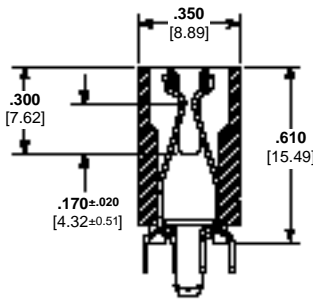
Board-to-board connectors come in a range of contact centerline spacings of .050 [1.27] to .156 [3.96]. A wide range of dual position sizes and post styles are available. One family of connectors features zero insertion force of the daughter board, along with a choice of actuating devices. A variety of housing and contact materials further expands the choice of connectors available to meet many application requirements.

To help in choosing a connector for your application, a Selection Guide is provided on pages 4 through 6.

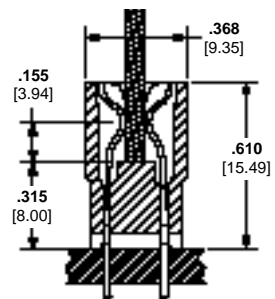
Standard Edge .050 Series PCI Connectors (Pages 7-10)



Standard Edge .050 Series Connectors (Pages 11-14)



Standard Edge II Connectors (.100 and .125 Centerline) (Pages 15-27)



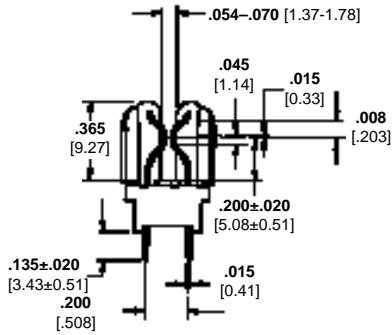
Centerlines

| | | | |
|-------------|---|---|---|
| .050 [1.27] | X | X | |
| .100 [2.54] | | | X |
| .125 [3.18] | | | X |
| .150 [3.81] | | | |
| .156 [3.96] | | | |

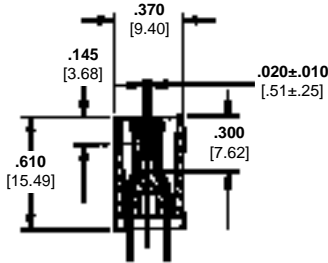
Tail Styles

| | | | |
|--------------------|---|---|---|
| Solder | X | X | X |
| Right-Angle Solder | | | X |
| Wrap-Type | | | X |
| Card Extender | | | X |
| Solder Eyelet | | | |
| Press-Fit | | | |
| Surface-Mount | | | |

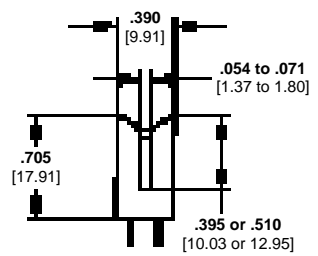
Standard Edge II Connectors (.150 Centerline)
(Pages 15-27)



Cantilever Beam Connectors Standard Housing
(Pages 28-40)



Cantilever Beam Connectors Scoop Housing
(Pages 28-40)



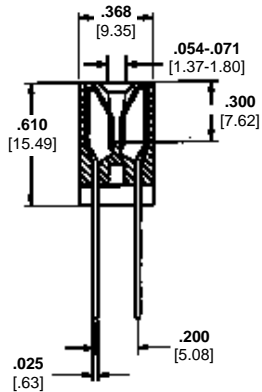
Centerlines

| | | | |
|---|---|---|---------------|
| | | | .050 [1.27] |
| | | | .0625 [1.588] |
| | X | X | .100 [2.54] |
| | X | X | .125 [3.18] |
| X | | | .150 [3.81] |
| | X | X | .156 [3.96] |

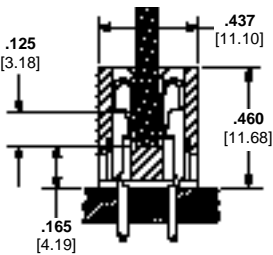
Tail Styles

| | | | |
|--|---|---|--------------------|
| | | X | Solder |
| | | | Right-Angle Solder |
| | | | Wrap-Type |
| | | | Card Extender |
| | | | Solder Eyelet |
| | X | X | Press-Fit |
| | | | Surface-Mount |

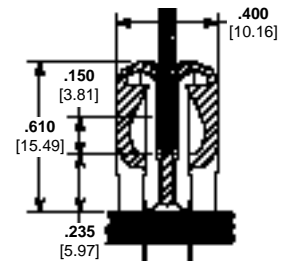
Modified Bellows Connector
(Pages 41-56)



Low Profile Connectors
(Pages 58-63)



Twin Leaf Mother Board Connectors
(Pages 64-72)



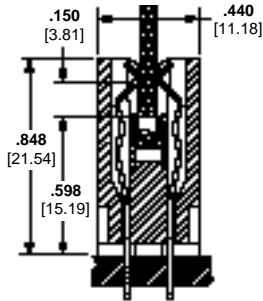
Centerlines

| | | | |
|---|---|---|-------------|
| | | | .050 [1.27] |
| | X | X | .100 [2.54] |
| | X | X | .125 [3.18] |
| | | X | .150 [3.81] |
| X | | X | .156 [3.96] |

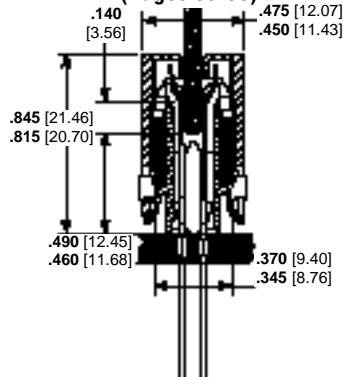
Tail Styles

| | | | |
|--|---|---|--------------------|
| | | X | Solder |
| | | | Right-Angle Solder |
| | | | Wrap-Type |
| | | | Card Extender |
| | | | Solder Eyelet |
| | X | | Press-Fit |
| | | | Surface-Mount |

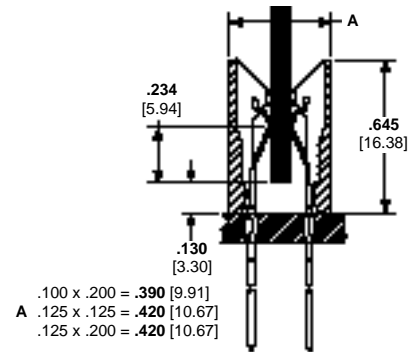
Rotary Cam ZIF Connectors
(Pages 73-82)



Linear ZIF Connectors
(Pages 83-96)



AMP PACE Connectors, Card Scoop Housing
(Pages 98-115)



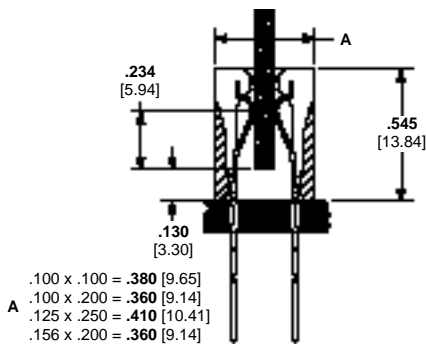
Centerlines

| | | | |
|---------------|---|---|---|
| .050 [1.27] | | | |
| .0625 [1.588] | | | |
| .100 [2.54] | X | | X |
| .125 [3.18] | X | X | X |
| .150 [3.81] | | | |
| .156 [3.96] | X | | |

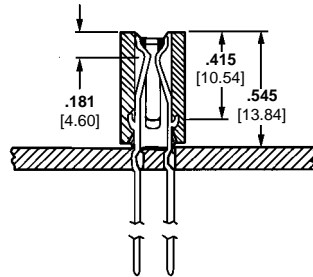
Tail Styles

| | | | |
|--------------------|---|---|---|
| Solder | X | X | |
| Right-Angle Solder | X | | |
| Wrap-Type | X | X | X |
| Card Extender | | | |
| Solder Eyelet | | | |
| Press-Fit | | X | X |
| Surface-Mount | | | |

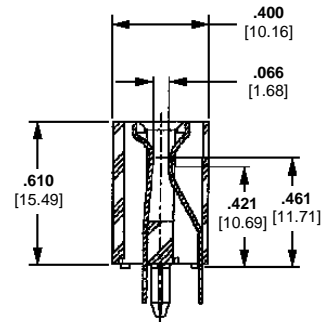
AMP PACE Connectors, Standard Housing
(Pages 98-115)



ECONOMATE Connectors
(Pages 119-126)



High Density Press Fit Connector
For .093 Cards
(Pages 128-129)



Centerlines

| | | | |
|---------------|---|---|--|
| .050 [1.27] | | | |
| .0625 [1.588] | | | |
| .100 [2.54] | X | X | |
| .125 [3.18] | X | | |
| .150 [3.81] | | | |
| .156 [3.96] | X | X | |

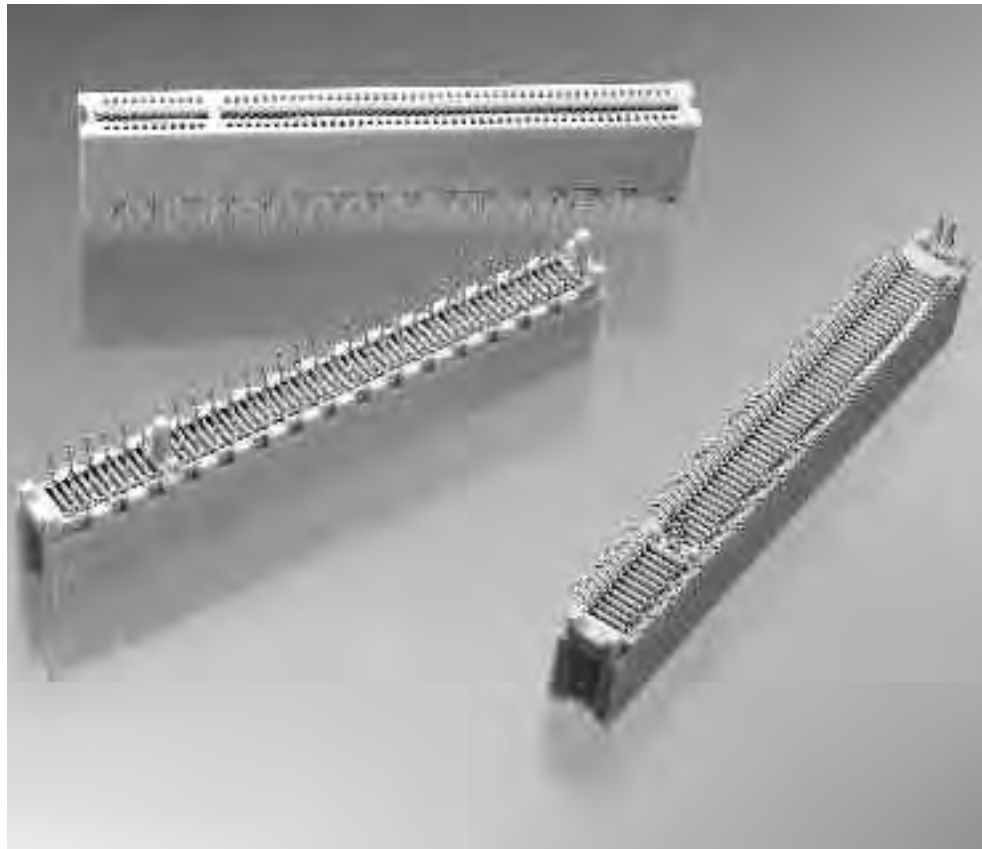
Tail Styles

| | | | |
|--------------------|---|---|---|
| Solder | | | |
| Right-Angle Solder | | | |
| Wrap-Type | X | | |
| Card Extender | | | |
| Solder Eyelet | | | |
| Press-Fit | X | X | X |
| Surface-Mount | | | |

Standard Edge .050 Series PCI Card Edge Connectors

Product Facts

- High density .050 [1.27] centerline contact spacing
- Easy mating of high circuit count daughter boards
- Polarizing web for positive board-to-connector registration
- Choice of plastic pylons or metal holddowns



Connectors that support PCI expansion cards are derived from those on the MicroChannel Architecture (MCA) bus. The MCA connectors are well defined and have proven value and reliability.

There are four connectors that can be used depending upon the PCI implementation. The differences between these connectors are 32 bit and 64 bit, and the 5 volt and 3.3 volt signaling environments. PCI-X is a version of PCI at 133 MHz which is under development and employs standard PCI connectors. PCI-X is limited to 1 slot versus 4 slots of PCI.

A key differentiates the signaling environment voltages. The same physical connector is used for the 32 bit signaling environments. In one orientation, the key accepts 5 volt boards. When rotated 180°, the connector accepts 3.3 volt signaling boards. The pin numbering of the connector changes for the different signaling environments to maintain the same relative position of signals on the connector.

Performance Specifications:

- Durability**—Tested to 100 mating cycles
- Mating Force**—8 oz [2.22 N] max. per contact pair
- Unmating Force**—.5 oz [0.14 N] min. per contact pair
- Contact Resistance**—20 milliohms max. (initial) 30 milliohms max. (final)
- Insulation Resistance**—1000 megohms min.
- Dielectric Withstanding Voltage**—500 VAC (at sea level)
- Capacitance**—2 picofarads max.
- Current Rating**—1 ampere max.
- Voltage Rating**—203 VAC
- Thermal Shock**—-55°C to +85°C for 5 cycles
- Mixed Flowing Gas**—Class II with mated board for 20 days

Technical Documents:

- Product Specification**
108-14034
- Application Specification**
114-26012
- Qualification Test Report**
501-203

Standard Edge .050 Series PCI Card Edge Connectors

Solder Type Board-to-Board Connectors

64 Bit, 5 Volt Signaling

92 Dual Positions with 3 Plastic Pylons or 3 Metal Holddowns

Material and Finish:

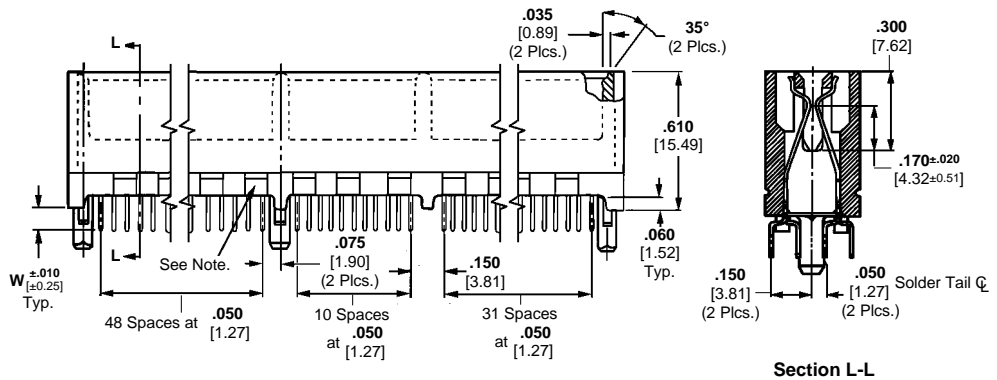
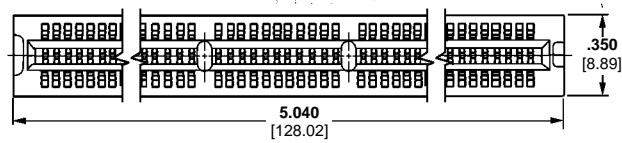
Housing—High temperature thermo-plastic 94V-0 rated, white

Contacts—Phosphor bronze, plated as follows:

Plating B—Duplex plated .000015 [0.00038] min. gold in contact area, .000100 [0.00254] min. tin-lead on solder tails, with entire contact underplated .000050 [0.00127] min. nickel

Plating C—Duplex plated .000030 [0.00076] min. gold in contact area, .000100 [0.00254] min. tin-lead on solder tails, with entire contact underplated .000050 [0.00127] min. nickel

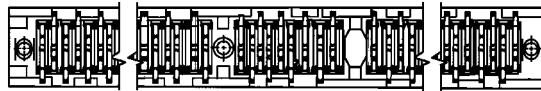
Plastic Pylons



Section L-L

Related Product Data:

Performance Specifications—page 7

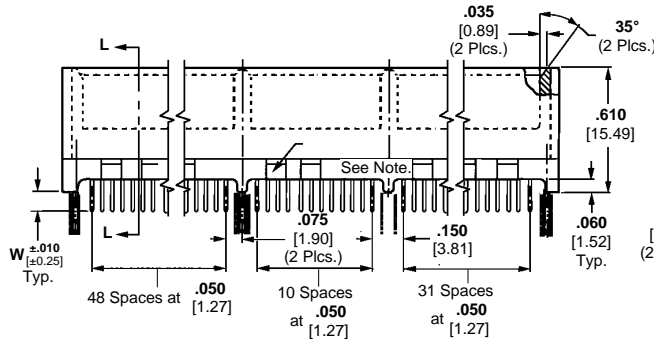


Technical Documents:

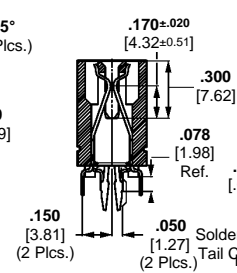
Product Specification
108-14034

Application Specification
114-26012

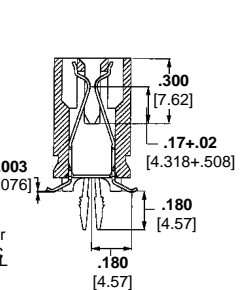
Metal Holddowns



Through Hole



Surface Mount



Section L-L

| W (Post Length) | Contact Finish | Part Numbers | |
|--------------------|-------------------|---------------------|----------------------|
| | | 3 Plastic Pylons | 3 Metal Holddowns |
| .100 2.54 | Plating B | 145166-2 | — |
| | Plating C | 145166-4 | 145169-4 |
| .125 3.18 | Plating C | 145166-8 | 145169-8 |
| Surface Mount | Plating C | — | 145113-1 |

Notes: 1. Connectors are supplied with either cored (shown above) or solid side walls.
2. Other connector sizes can be made available, consult Tyco Electronics.

Standard Edge .050 Series PCI Card Edge Connectors

32 Bit, 3.3 and 5 Volt Signaling

60 Dual Positions with 2 Plastic Pylons or 2 Metal Holddowns

Material and Finish:

Housing Y—High temperature thermo-plastic 94V-0 rated, white

Housing Z—Nylon 6/6, white

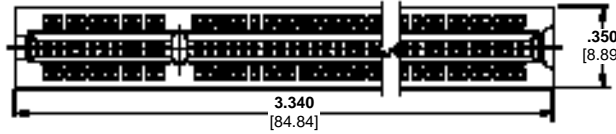
Contacts—Phosphor bronze, plated as follows:

Plating A—Duplex plated gold flash in contact area, .000100 [0.00254] min. tin-lead on solder tails, with entire contact underplated .000050 [0.00127] min. nickel

Plating B—Duplex plated .000015 [0.00038] min. gold in contact area, .000100 [0.00254] min. tin-lead on solder tails, with entire contact underplated .000050 [0.00127] min. nickel

Plating C—Duplex plated .000030 [0.00076] min. gold in contact area, .000100 [0.00254] min. tin-lead on solder tails, with entire contact underplated .000050 [0.00127] min. nickel

Plastic Pylons



Related Product Data:

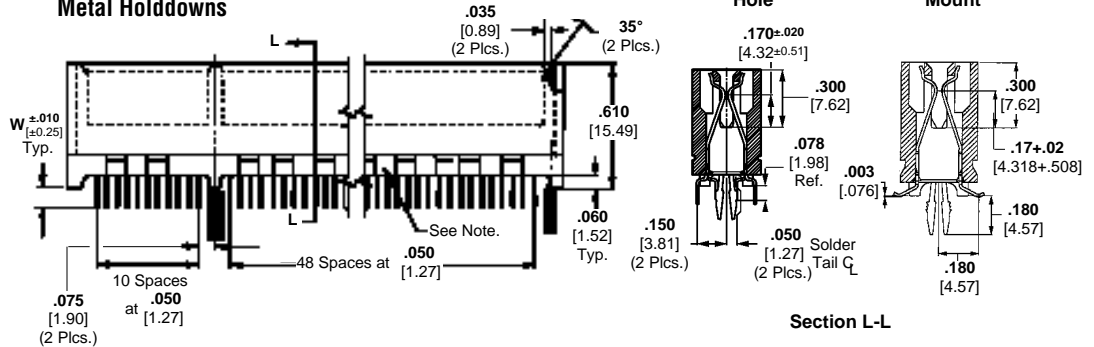
Performance Specifications—page 7

Technical Documents:

Product Specification
108-14034

Application Specification
114-26012

Metal Holddowns



| W (Post Length) | Housing Material | Contact Finish | Part Numbers | |
|--------------------|------------------|----------------|------------------|-------------------|
| | | | 2 Plastic Pylons | 2 Metal Holddowns |
| .100 2.54 | Y | Plating A | 145154-1 | 145167-1 |
| | | Plating B | 145154-2 | — |
| | | Plating C | 145154-4 | 145167-4 |
| .118 3.00 | Z | Plating A | 11299-1 | — |
| | | Plating B | 11299-6 | — |
| .125 3.18 | Y | Plating C | 145154-8 | — |
| Surface Mount | Y | Plating C | — | 145098-1 |

Notes: 1. Connectors are supplied with either cored (shown above) or solid side walls.
2. Other connector sizes can be made available, consult Tyco Electronics.

Standard Edge .050 Series PCI Card Edge Connectors

64 Bit, 3.3 Volt Signaling

92 Dual Positions with 3 Plastic Pylons or 3 Metal Holddowns

Material and Finish:

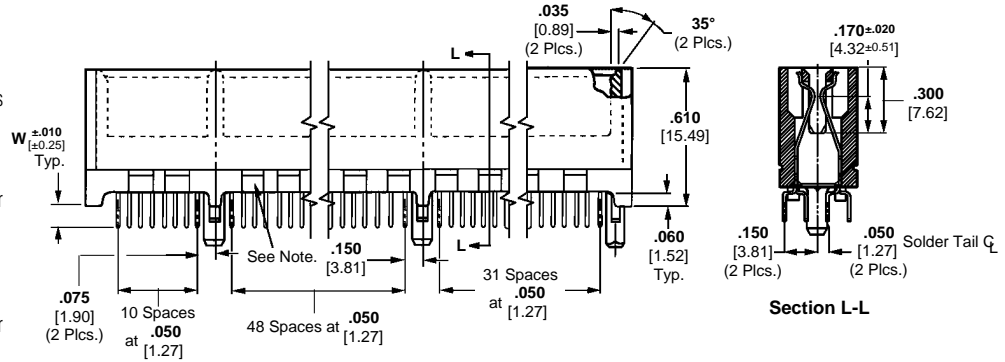
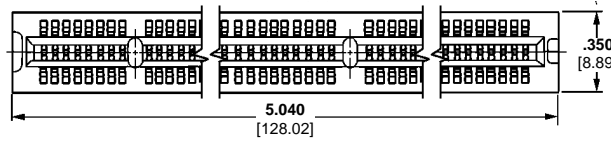
Housing—High temperature thermo-plastic 94V-0 rated, white

Contacts—Phosphor bronze, plated as follows:

Plating B—Duplex plated .000015 [0.00038] min. gold in contact area, .000100 [0.00254] min. tin-lead on solder tails, with entire contact underplated .000050 [0.00127] min. nickel

Plating C—Duplex plated .000030 [0.00076] min. gold in contact area, .000100 [0.00254] min. tin-lead on solder tails, with entire contact underplated .000050 [0.00127] min. nickel

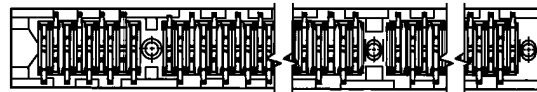
Plastic Pylons



Section L-L

Related Product Data:

Performance Specifications—page 7

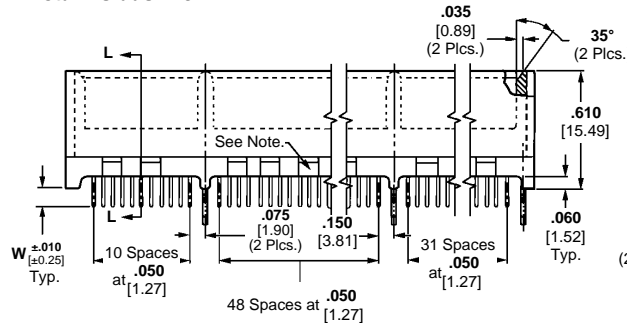


Technical Documents:

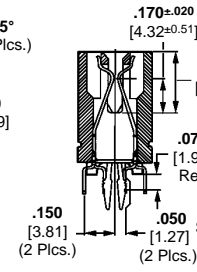
Product Specification
108-14034

Application Specification
114-26012

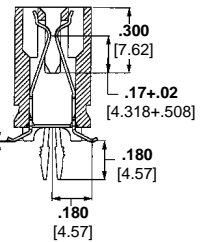
Metal Holddowns



Through Hole



Surface Mount



Section L-L



| W (Post Length) | Contact Finish | Part Numbers | |
|--------------------|-------------------|---------------------|----------------------|
| | | 3 Plastic Pylons | 3 Metal Holddowns |
| .100 2.54 | Plating B | — | 145168-2 |
| | Plating C | 145165-4 | 145168-4 |
| .125 3.18 | Plating C | 145165-8 | — |
| Surface Mount | Plating C | — | 145246-1 |

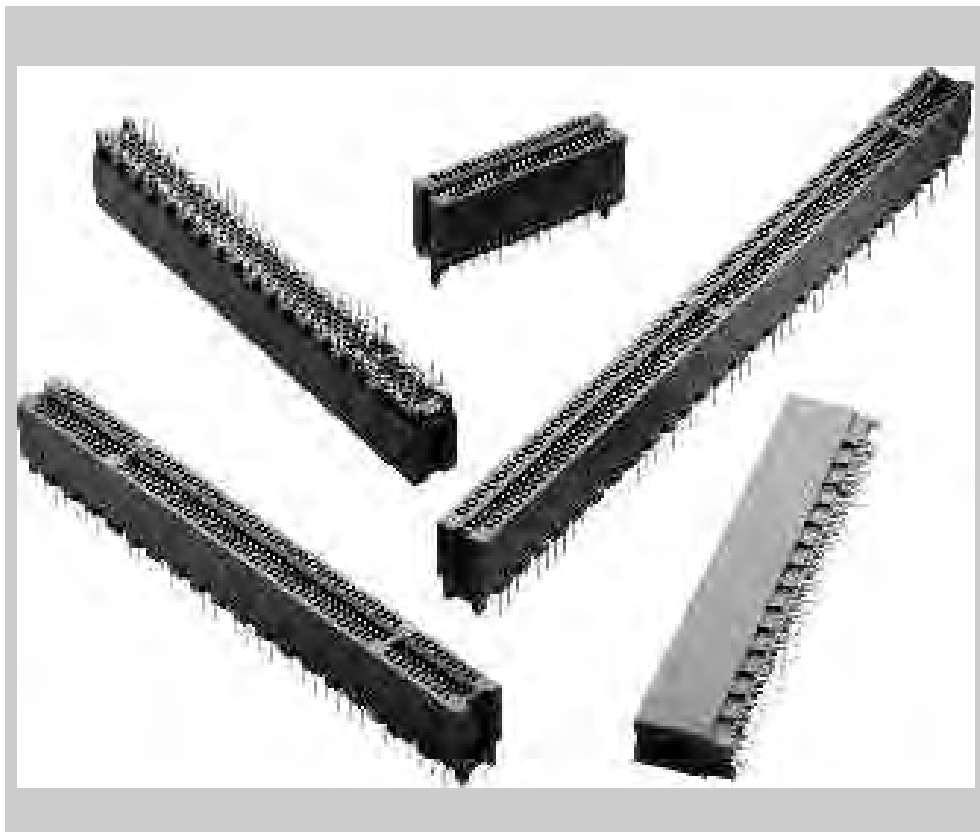
Notes: 1. Connectors are supplied with either cored (shown above) or solid side walls.
2. Other connector sizes can be made available, consult Tyco Electronics.

Solder Type Board-to-Board Connectors

Standard Edge .050 Series Connectors

Product Facts

- High density .050 [1.27] centerline spacing of contacts
- Easy mating of high-circuit count daughter boards
- Compatible with infrared reflow (IR) soldering techniques
- Polarizing web for positive board-to-connector registration
- Choice of plastic pylons or metal holddowns
- Recognized under the Component Program of Underwriter Laboratories Inc.  File No. E28476
- Certified by Canadian Standards Association,  File No. LR 7189



Performance Specifications:

- Contact Current Rating*** — 1 ampere
- Termination Resistance** —
20 milliohms max. (initial)
30 milliohms max. (final)
- Dielectric Withstanding Voltage** —
500 VAC min.
- Insulation Resistance** — 1000 megohms min.
- Mating Force** — .5 oz. [0.14 N] per contact pair
- Unmating Force** — 1 oz. [0.3 N] per contact pair
- Durability (Tested to)** — 100 mating cycles
- Application Temperature** —
+215°C for 120 seconds max.
- Temperature Range** —
-55°C to +85°C

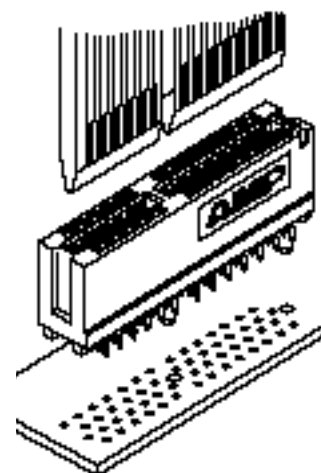
*Consult Tyco Electronics engineering when paralleling contacts for power applications.

The need to conserve space and pack more function into a given area has demanded that .050 [1.27] centerline spacing become a reality. AMP Standard Edge .050 Series connectors are the ideal vehicle for mother/daughter board applications requiring this real estate.

These rugged connectors have two rows of contacts on .050 [1.27] centerlines. Polarizing webs provide positive board-to-connector registration, while insertion force allows even high circuit-count daughter boards to mate easily. The connectors accept .054 to .070 [1.37 to 1.78] thick daughter boards and feature an overstress protected contact design.

AMP Standard Edge .050 Series connectors are ideal for fast automated robotic assembly with registration features and dimensional tolerancing for more accurate pickup and placement, and are packaged in robotics-compatible trays.

Plastic guide posts or metal holddowns align the connector with the mother board and retain it for soldering. To make circuit routing easy, connector solder posts are arranged in a four-row .100 [2.54] staggered grid. High-temperature tolerant materials promote that these connectors withstand infrared reflow (IR) soldering, while standoffs ease flux cleaning.



High Density for DataBus Applications

Standard Edge .050 Series Connectors

**Configuration;
1 Key—2 Plastic Pylons**

Material and Finish:

Housing—High temperature thermo-plastic, brown

Contacts—Phosphor bronze, duplex plated .000030 [0.00076] min. gold in contact area, .000100 [0.00254] min. tin-lead on solder tails, with entire contact underplated .000050 [0.00127] min. nickel

Related Product Data:

Performance Specifications—page 11

Technical Documents:

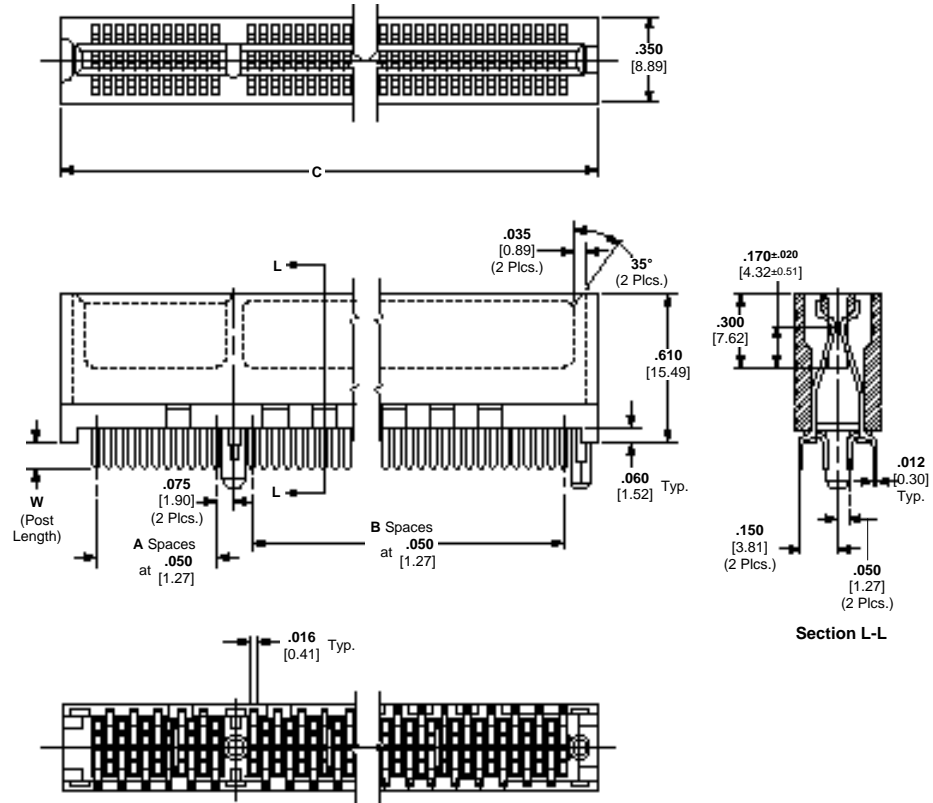
Product Specification

108-14034

Application Specification

114-26012

Solder Type Board-to-Board Connectors



| No. of Dual Positions | Dimensions | | | W (Post Length) | PC Board Hole Layout | Connector Part Numbers |
|-----------------------|------------|----|-----------------|-----------------|----------------------|------------------------|
| | A | B | C | | | |
| 23 | 10 | 11 | 1.490 37.85 | .100 2.54 | A | 650090-7 |
| 30 | 10 | 18 | 1.840 46.74 | .100 2.54 | B | 650090-6 |
| 40 | 10 | 28 | 2.340 59.44 | .100 2.54 | B | 650090-3 |
| | | | | .140 3.56 | B | 650181-2 |
| 45 | 10 | 33 | 2.590 65.79 | .100 2.54 | A | 650090-2 |
| 56 | 10 | 44 | 3.140 79.76 | .100 2.54 | B | 650090-11 |
| | | | | .140 3.56 | B | 650181-1 |
| 80 | 37 | 41 | 4.340 110.24 | .100 2.54 | C | 650090-9 |
| 91 | 41 | 48 | 4.890 124.21 | .100 2.54 | A | 650092-12 |
| | | | | .140 3.56 | A | 650092-2 |

¹ Connector used for VLocal Bus and MCA Bus applications.

² Connector used for MCA Bus applications.

- Notes:** 1. Other connector sizes can be made available, consult Tyco Electronics.
2. .125 [3.18] post length is available, consult Tyco Electronics.

Standard Edge .050 Series Connectors

Solder Type Board-to-Board Connectors

**Configuration;
1 Key—2 Plastic Pylons**

Material and Finish:

Housing—High temperature thermo-plastic, brown

Contacts—Phosphor bronze, duplex plated .000030 [0.00076] min. gold in contact area, .000100 [0.00254] min. tin-lead on solder tails, with entire contact underplated .000050 [0.00127] min. nickel

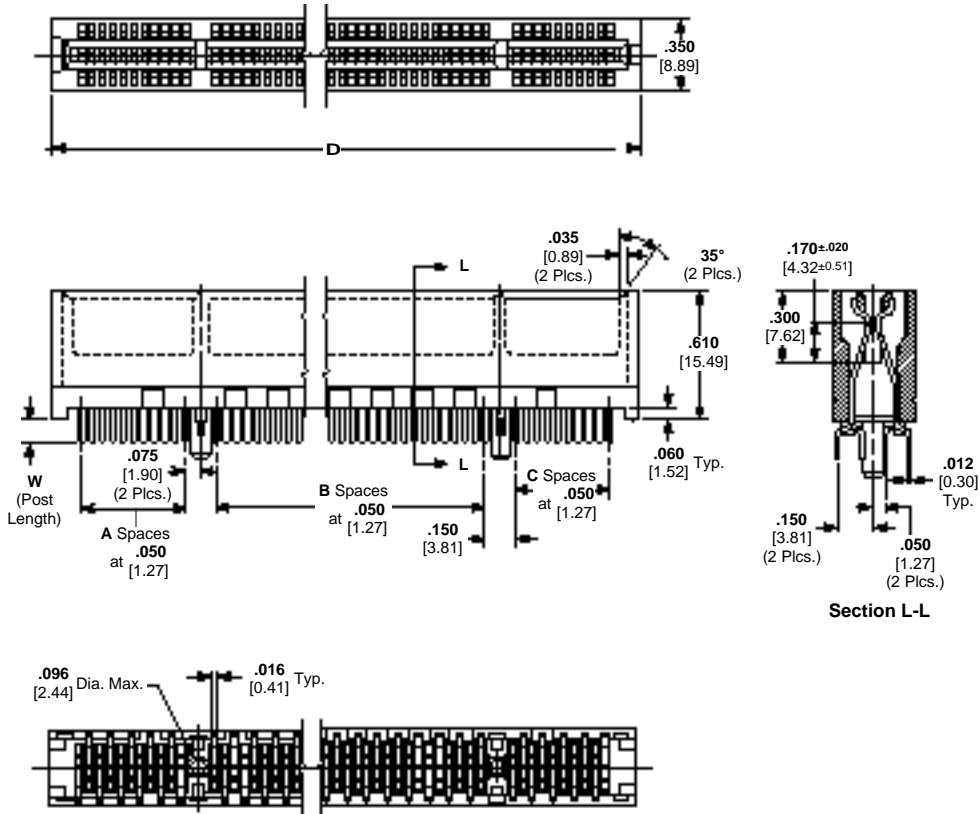
Related Product Data:

Performance Specifications—page 11

Technical Documents:

Product Specification
108-14034

Application Specification
114-26012



| No. of Dual Positions | Dimensions | | | | W (Post Length) | PC Board Hole Layout | Connector Part Numbers |
|-----------------------|------------|----|---|----------------|-----------------|----------------------|------------------------|
| | A | B | C | D | | | |
| 66 | 10 | 44 | 9 | 3.740 95.00 | .100 2.54 | A | 650091-1* |
| | | | | | .140 3.56 | A | 650091-2 |

*Connectors used for MCA Bus applications.

- Notes:** 1. Other connector sizes can be made available, consult Tyco Electronics.
2. .125 [3.18] post length is available, consult Tyco Electronics.

Standard Edge .050 Series Connectors

Configuration;
1 Key/1 Web —3 Metal
Holddowns

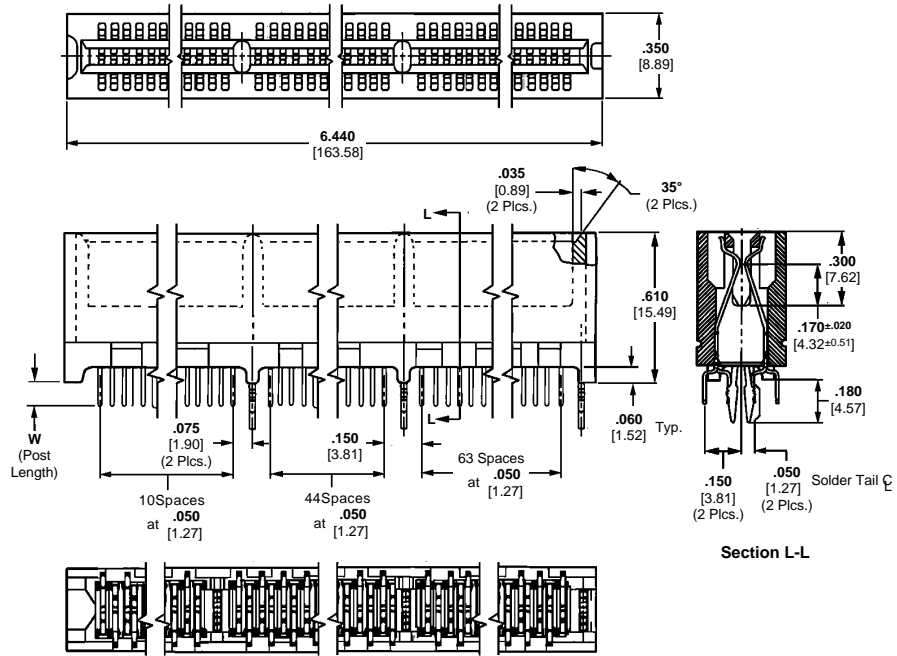
120 Dual Positions

Material and Finish:

Housing—High temperature thermo-plastic, brown

Holddowns—Brass, plated .000150 [0.00381] min. tin-lead over .000050 [0.00127] min. nickel

Contacts—Phosphor bronze, duplex plated .000030 [0.00076] min. gold in contact area, .000100 [0.00254] min. tin-lead on solder tails, with entire contact underplated .000050 [0.00127] min. nickel



Related Product Data:

Performance Specifications—
page 11

Technical Documents:

Product Specification
104-14034

Application Specification
114-26012

| No. of Dual Positions | W (Post Length) | Connector Part Numbers |
|-----------------------|-----------------|------------------------|
| 120 | .140 3.56 | 145031-3 |

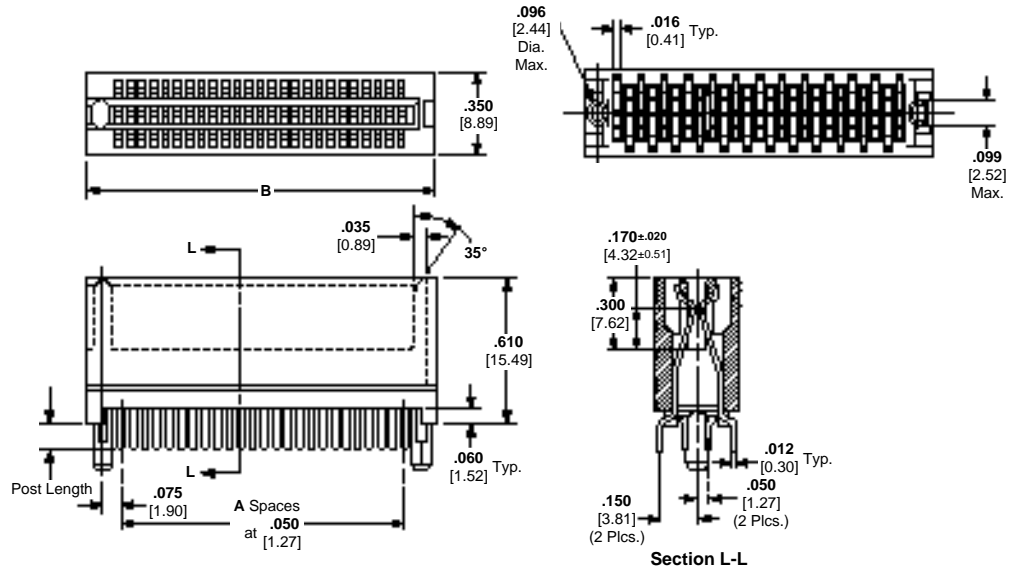
Note: Other connector sizes can be made available, consult Tyco Electronics.

Configuration; End Key

Material and Finish:

Housing—High temperature thermo-plastic, brown

Contacts—Phosphor bronze, duplex plated .000030 [0.00076] min. gold in contact area, .000100 [0.00254] min. tin-lead on solder tails, with entire contact underplated .000050 [0.00127] min. nickel



Related Product Data:

Performance Specifications—
page 11

Technical Documents:

Product Specification
108-14034



Application Specification
114-26012

| No. of Dual Positions | Dimensions | | | | Post Length | Connector Part Numbers |
|-----------------------|------------|----------------|----------------|----------------|--------------|------------------------|
| | A | B | C | D | | |
| 25 | 24 | 1.480 37.59 | 1.350 34.29 | 1.310 33.27 | .100 2.54 | 650719-1 |

Note: Other connector sizes can be made available, consult Tyco Electronics.

Standard Edge II Connectors

Product Facts

- **Maximum number of dual positions**
.100 [2.54] Centerlines-70,
.125 [3.18] Centerlines-50,
.150 [3.81] Centerlines-31
- **Selective gold plating of contacts for high performance at low cost**
- **.025 [0.64] square solid posts meet standard wrap-type specifications**
- **For flow solder applications**
- **Glass-filled polyester housing is 94V-0 rated**
- **Accepts double sided PC boards, .054-.070 [1.27-1.78] thick**
- **Recognized under the Component Program of Underwriters Laboratories Inc., File No. E28476** 
- **Certified by Canadian Standards Association, File No. LR 7189** 

Performance Specifications

- Contact Rating***: 3 amperes continuous (UL and CSA)
- Contact Resistance**: 10 milliohms max.
- Operating Temperature**: -55°C to +85°C
- Voltage Rating (Sea Level)**:
.100 [2.54] centerline—1000 VAC (test)
.125 [3.18] centerline—1500 VAC (test)
.150 [3.81] centerline—1500 VAC (test)
- Insulation Resistance**: 5000 megohms min., after exposure to humidity
- Vibration Tolerance**: 10 to 500 hertz
- Contact Engagement Force**: 12 oz [3.3 N] average per pair with .062 [1.57] PC board
- Contact Separation Force**: 2 oz [0.6 N] average per pair with .062 [1.57] PC board
- Humidity Tolerance**: 90%-95% for 96 hours

*Consult Tyco Electronics engineering when paralleling contacts for power applications.



AMP Standard Edge II Connectors provide high reliability and economy in packages compatible with industry standards for double sided printed circuit boards.

Tyco Electronics offers Standard Edge II Connectors with or without mounting ears, for rack mounting and soldering. Contacts are arranged on .100 [2.54] centers, .125 [3.18] centers, .150 [3.81] centers, .200 [5.08] row-to-row; and .250 [6.35] row-to-row.

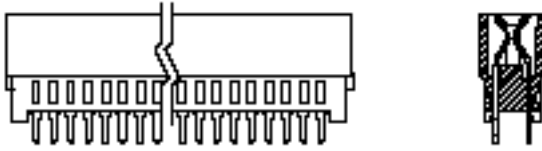
Right-angle connectors are also available with contacts arranged on .100 [2.54] centers, .150 [3.81] row-to-row or .200 [5.08] row-to-row.

Card extenders with contacts on .100 [2.54] and .125 [3.18] centers also are available.

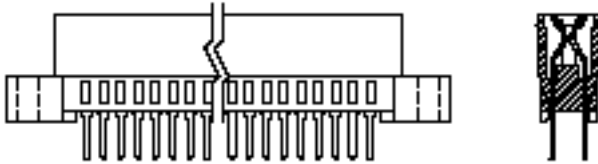
Precision formed phosphor bronze contacts are selectively gold plated. Phosphor bronze has excellent strength characteristics which help the connector absorb load deflection movement of a PC board while maintaining sufficient contact force for good electrical connection. Bifurcated cantilever beam contacts provide redundant contact.

Solder Type Board-to-Board Connectors

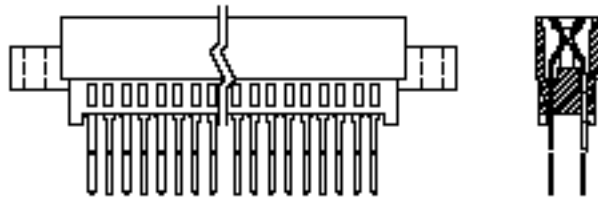
.100 [2.54] and .125 [3.18] Centerline Solder Posts without Mounting Ears
Pages 17 and 18



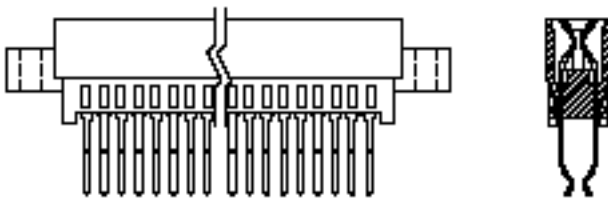
.100 [2.54] and .125 [3.18] Centerline Solder Posts with Low and Mid-High Mounting Ears
Page 20



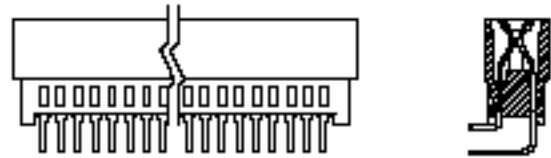
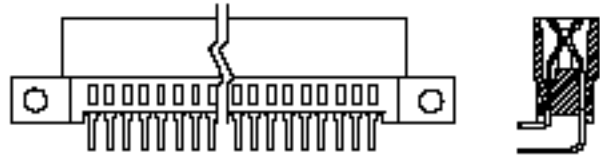
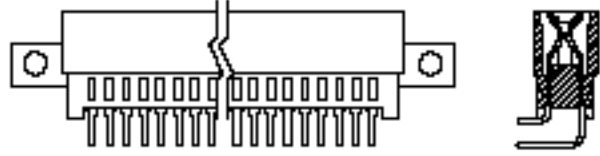
.100 [2.54] and .125 [3.18] Centerline Wrap-Type Posts with Mid-High Mounting Ears
Page 21



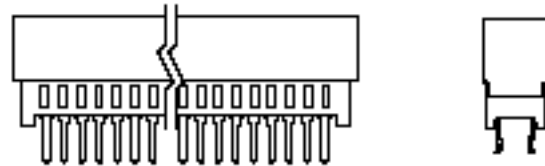
.100 [2.54] and .125 [3.18] Centerline Card Extenders
Page 22



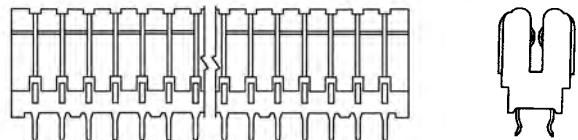
.100 [2.54] Centerline Right-Angle Posts with Low and No Mounting Ears
Page 23



.100 [2.54] Centerline Solder Posts with Board Retention Feature, without Mounting Ears
Page 24



.150 [3.81] Centerline Solder Posts (with Board Retention Feature), without Mounting Ears
Page 19



Standard Edge II Card Edge Connectors

.100 [2.54] Centerline, Vertical Solder Posts, Without Mounting Ears

Material and Finish:

Housing—Black glass-filled polyester, 94V-0 rated

Contacts—Phosphor bronze, duplex plated as follows:

Plating A—.000030 [0.00076] gold in contact area, tin on posts, with entire contact nickel underplated

Plating B—.000015 [0.00038] gold in contact area, tin on posts, with entire contact nickel underplated

Plating C—Gold flash in contact area, tin on posts, with entire contact nickel underplated

Technical Documents:

Product Specification

108-9039

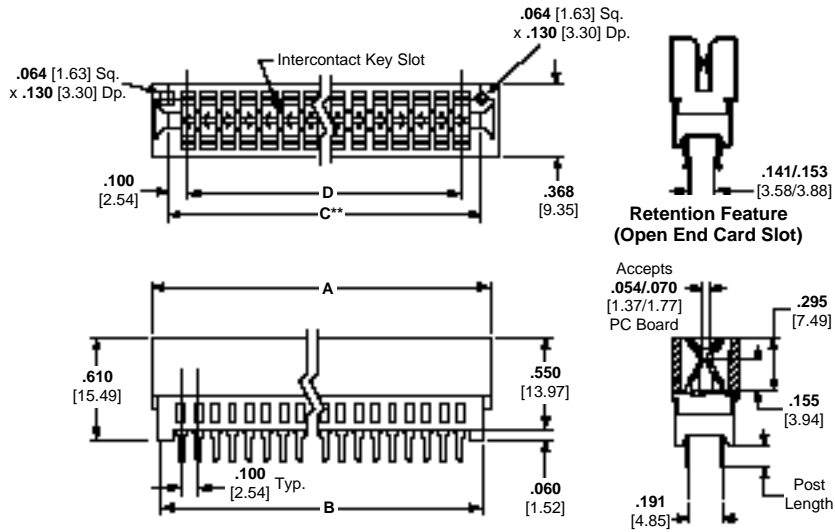
Intercontact Keying Plug

Material:

Natural color polyester



Part Number 650025-2
(.100 [2.54] Centerline)



Solder Type Board-to-Board Connectors

| No. of Dual Positions | Dimensions | | | | Post Length* | Part Numbers | | |
|-----------------------|-----------------|-----------------|-----------------|-----------------|--------------|--------------------------|------------|-----------|
| | A | B | C** | D | | Plating A | Plating B | Plating C |
| 3 | .560 14.22 | .450 11.43 | Open End | .200 5.08 | .125 | 650263-11 | — | — |
| 6 | .860 21.84 | .750 19.05 | .700 17.78 | .500 12.70 | .125 .187 | 7-530843-5 7-530843-6 | — | — |
| 10 | 1.260 32.00 | 1.150 29.21 | 1.100 27.94 | .900 22.86 | .125 .187 | 5-530843-0 4-530843-9 | — | — |
| 12 | 1.460 37.08 | 1.350 34.29 | 1.300 33.02 | 1.100 27.94 | .125 | 530843-1 | — | — |
| 15 | 1.760 44.70 | 1.650 41.91 | 1.600 40.64 | 1.400 35.56 | .125 | 530843-2 | — | — |
| 17 | 1.960 49.78 | 1.850 46.99 | 1.800 45.72 | 1.600 40.64 | .125 | 5-530843-3 | — | — |
| 18 | 2.060 52.32 | 1.950 49.53 | 1.900 48.26 | 1.700 43.18 | .125 | 530843-3 | 2-530843-7 | 176137-11 |
| 20 | 2.260 57.40 | 2.150 54.61 | 2.100 53.34 | 1.900 48.26 | .125 | 5-530843-4 | — | — |
| 22 | 2.460 62.48 | 2.350 59.69 | 2.300 58.42 | 2.100 53.34 | .125 | 530843-4 | — | — |
| 25 | 2.760 70.10 | 2.650 67.31 | 2.600 66.04 | 2.400 60.96 | .125 | 530843-5 | — | — |
| 28 | 3.060 77.72 | 2.950 74.93 | 2.900 73.66 | 2.700 68.58 | .125 | 530843-6 | — | — |
| 30 | 3.260 82.80 | 3.150 80.01 | 3.100 78.74 | 2.900 73.66 | .125 .187 | 530843-7 1-530843-8 | — | — |
| 31 | 3.360 85.34 | 3.250 82.55 | 3.200 81.28 | 3.000 76.20 | .125 | 6-530843-5 | 7-530843-0 | — |
| 36 | 3.860 98.04 | 3.750 95.25 | 3.700 93.98 | 3.500 88.90 | .125 | 530843-8 | — | — |
| 40 | 4.260 108.20 | 4.150 105.41 | 4.100 104.14 | 3.900 99.06 | .187 | 2-530843-0 | — | — |
| 50 | 5.260 133.60 | 5.150 130.81 | 5.100 129.54 | 4.900 124.46 | .125 | 1-530843-1 | — | — |

*Metric equivalent for post lengths are .125 = 3.18; .187 = 4.75.

**C dimension is card slot length.

† Connectors with Retention Feature.

Notes: 1. Other connector sizes can be made available, consult Tyco Electronics.

2. High temperature IR reflow compatible connectors can be made available, consult Tyco Electronics.

.125 [3.18] Centerline, Vertical Solder Posts, Without Mounting Ears

Material and Finish:

Housing—Black glass-filled polyester, 94V-0 rated

Contacts—Phosphor bronze, plated with .000030 [0.00076] gold in contact area, tin on posts, with entire contact nickel underplated

Related Product Data:

Performance Specifications—page 15

PC Board Hole Layout—page 26

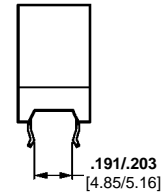
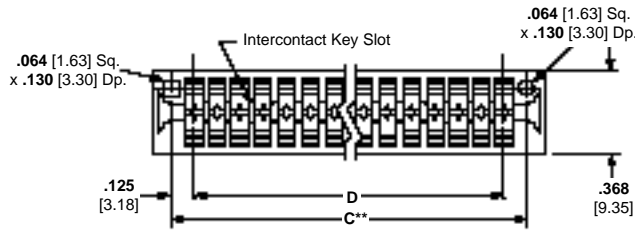
PC Board Edge Pattern—page 27

Special Application—page 96

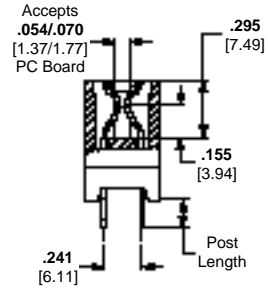
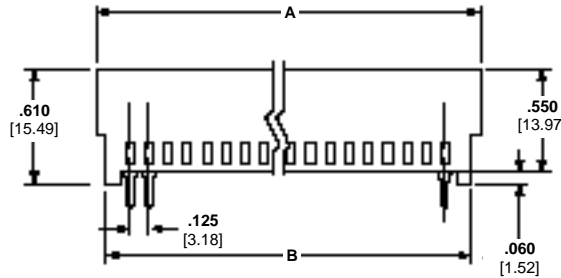
Technical Documents:

(pages 186, 187):

Product Specification
108-9039



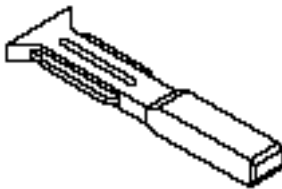
Retention Feature



Intercontact Keying Plug

Material:

Natural color polyester



Part No. 650025-1
(.125 [3.18] Centerline)

| No. of Dual Positions | Dimensions | | | | Post Length* | Part Numbers |
|-----------------------|-----------------|-----------------|-----------------|-----------------|--------------|--------------------------|
| | A | B | C** | D | | |
| 6 | 1.035 26.29 | .875 22.22 | .875 22.22 | .625 15.88 | .125 | 650207-11 |
| 14 | 2.035 51.69 | 1.875 47.62 | 1.875 47.62 | 1.625 41.28 | .187 | 5-530844-8 |
| 18 | 2.535 64.39 | 2.375 60.33 | 2.375 60.33 | 2.125 53.98 | .187 | 1-530844-5 |
| 22 | 3.035 77.09 | 2.875 73.03 | 2.875 73.03 | 2.625 66.68 | .187 | 1-530844-6 |
| 28 | 3.785 96.14 | 3.625 92.08 | 3.625 92.08 | 3.375 85.73 | .187 | 1-530844-7 |
| 30 | 4.035 102.49 | 3.875 98.42 | 3.875 98.42 | 3.625 92.08 | .187 | 1-530844-8 |
| 36 | 4.785 121.54 | 4.625 117.48 | 4.625 117.48 | 4.375 111.13 | .187 | 1-530844-9 |
| 40 | 5.285 134.24 | 5.125 130.18 | 5.125 130.18 | 4.875 123.82 | .187 | 2-530844-0 |
| 43 | 5.660 143.76 | 5.500 139.70 | 5.500 139.70 | 5.250 133.35 | .125 | 1-530844-0 |
| 50 | 6.535 165.99 | 6.375 161.93 | 6.375 161.93 | 6.125 155.58 | .125 .187 | 1-530844-1 2-530844-2 |

*Metric equivalent for post lengths are .125 = [3.18]; .187 = [4.75]

**C dimension is card slot length.

¹Connector with Retention Feature.

Note: Other connector sizes can be made available, consult Tyco Electronics.

Standard Edge II Connectors (Continued)

.150 [3.81] Centerline, Vertical Solder Posts, Retention Feature, Without Mounting Ears

Material and Finish:

Housing—Black glass-filled polyester, 94V-0 rated

Contacts—Phosphor bronze, plated with .000030 [0.00076] gold in contact area, tin on posts, with entire contact nickel underplated

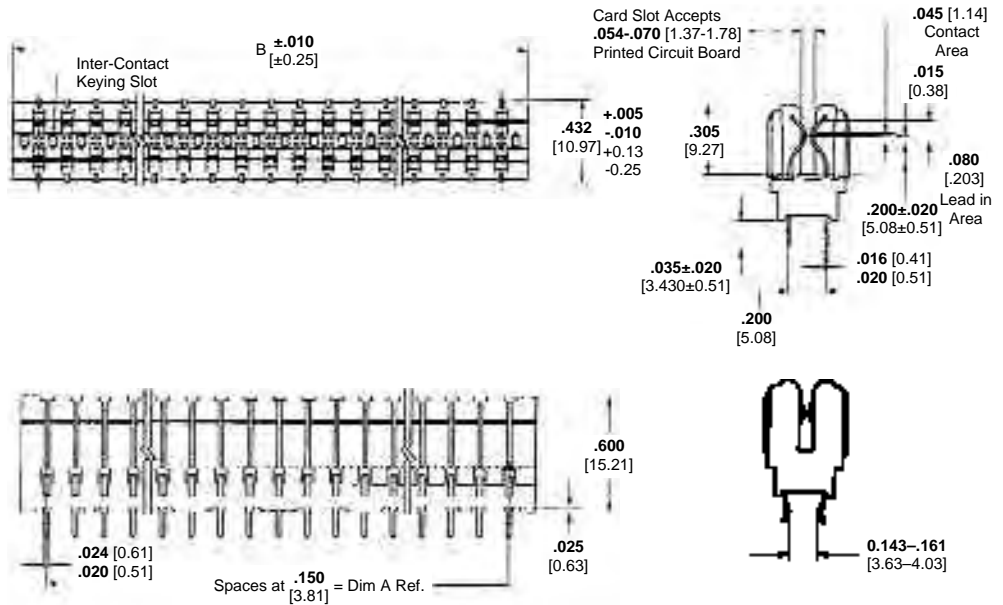
Related Product Data:

Performance Specifications—page 15

PC Board Hole Layout—page 26

PC Board Edge Pattern—page 27

Special Application—page 96



| No. of Dual Positions | Dimensions | | Retention Location | Post Length* | Part Numbers |
|-----------------------|------------------------|------------------------|----------------------|--------------|--------------|
| | A | B | | | |
| 12 | 1.650 41.91 | 1.920 48.77 | 7-10, 15-18 | .135 | 1-650728-2 |
| 19 | 2.700 68.58 | 2.970 75.44 | 7-10, 29-32 | .135 | 1-650728-9 |
| 28 | 4.050 102.87 | 4.320 109.73 | 7-10, 25-32,47-50 | .135 | 2-650728-9 |
| 31 | 4.500 114.30 | 4.770 121.16 | 7-10, 27-34,53-56 | .135 | 3-650728-1 |

*Metric equivalent for post length is **.135** = [3.43]

**C dimension is card slot length.

Note: Other connector sizes can be made available, consult Tyco Electronics.

.100 [2.54] and .125 [3.18] Centerline, Vertical Solder Posts, Low and Mid-High Mounting Ears

Material and Finish:

Housing—Black glass-filled polyester, 94V-0 rated

Contacts—Phosphor bronze, plated with .000030 [0.00076] gold in contact area, tin on posts, with entire contact nickel underplated

Related Product Data:

Performance Specifications—page 15

PC Board Hole Layout—page 26

PC Board Edge Pattern—page 27

Special Application—page 96

Technical Documents:

(pages 186, 187):

Product Specification
108-9039

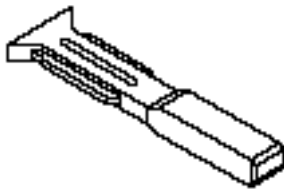
Intercontact Keying Plugs

Material:

Natural color polyester

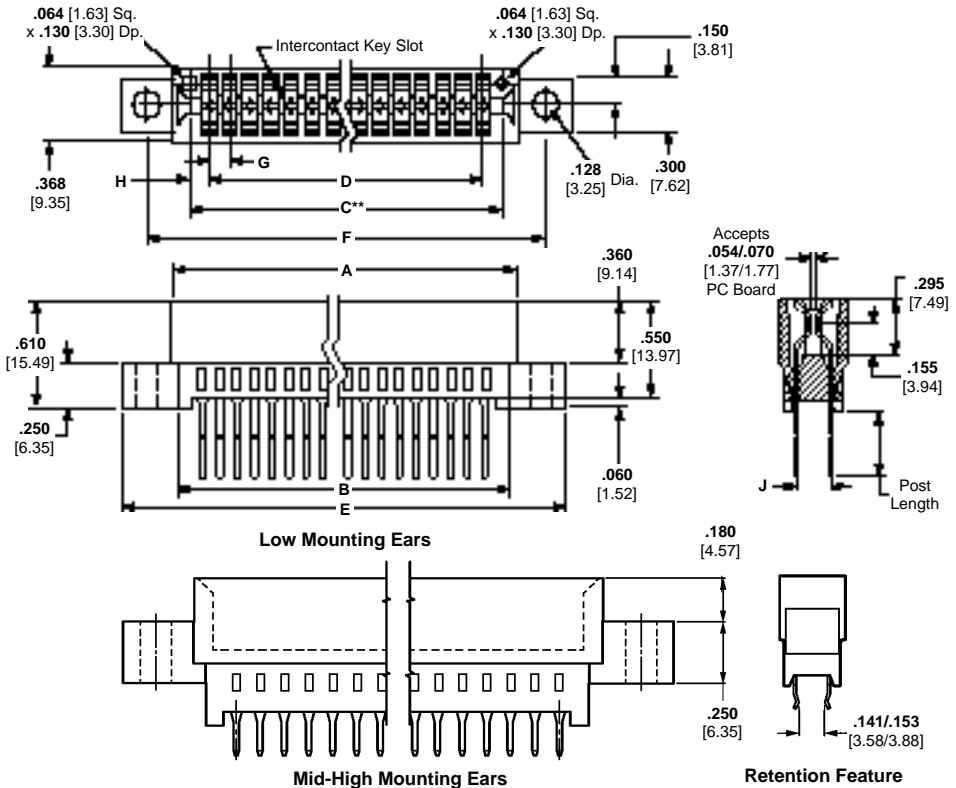


Part No. 650025-2
(.100 [2.54] Centerline)



Part No. 650025-1
(.125 [3.18] Centerline)

Standard Edge II Connectors (Continued)



.100 [2.54] Centerline

| No. of Dual Positions | Dimensions | | | | | | | | | Post Length* | Part Numbers |
|-----------------------|-----------------|-----------------|-----------------|-----------------|-----------------|-----------------|--------------|--------------|------------------------|--------------|--------------------------|
| | A | B | C** | D | E | F | G | H | J | | |
| 15 | 1.760 44.70 | 1.650 41.91 | 1.600 40.64 | 1.400 35.56 | 2.385 67.18 | 2.075 52.71 | .100 2.54 | .100 2.54 | .191 4.85 | .125 | 530841-2 |
| 18 | 2.060 52.32 | 1.950 49.53 | 1.900 48.26 | 1.700 43.18 | 2.645 67.18 | 2.375 60.32 | .100 2.54 | .100 2.54 | .191 4.85 | .125 | 530841-3 |
| 25 | 2.760 70.10 | 2.650 67.31 | 2.600 66.04 | 2.400 60.96 | 3.345 84.96 | 3.075 78.11 | .100 2.54 | .100 2.54 | .191 4.85 | .125 .187 | 530841-5 1-530841-6 |
| 30 | 3.260 82.80 | 3.160 80.01 | 3.100 78.74 | 2.900 73.66 | 3.845 97.66 | 3.575 90.81 | .100 2.54 | .100 2.54 | .191 4.85 | .187 | 1-530841-8 |
| 36 | 3.860 98.04 | 3.750 95.25 | 3.700 93.98 | 3.500 88.90 | 4.445 112.90 | 4.175 106.21 | .100 2.54 | .100 2.54 | .191 4.85 | .125 | 530841-8 |
| 50 | 5.260 133.60 | 5.150 130.81 | 5.100 129.54 | 4.900 124.46 | 5.845 148.46 | 5.575 141.60 | .100 2.54 | .100 2.54 | .191 4.85 | .125 .187 | 1-530841-1 2-530841-2 |
| | | | | | | | | | .141-.153 3.58-3.88 | .125 | 650718-11 ² |

*Metric equivalent for post lengths are .125 = [3.18]; .187 = [4.75]

**C dimension is card slot length.

¹Connector with Retention Feature.

²Connector with Mid-High Mounting Ears.

Note: Other connector sizes can be made available, consult Tyco Electronics.

.125 [3.18] Centerline

| No. of Dual Positions | Dimensions | | | | | | | | | Post Length* | Part Numbers |
|-----------------------|-----------------|-----------------|-----------------|-----------------|-----------------|-----------------|--------------|--------------|--------------|--------------|---------------------------------------|
| | A | B | C** | D | E | F | G | H | J | | |
| 6 | 1.035 26.29 | .875 22.22 | .875 22.22 | .625 15.88 | 1.555 39.50 | 1.295 32.89 | .125 3.18 | .125 3.18 | .241 6.11 | .125 | 1-531341-3 |
| 28 | 3.785 96.14 | 3.505 89.03 | 3.625 92.08 | 3.375 85.73 | 4.305 109.35 | 4.045 102.74 | .125 3.18 | .125 3.18 | .241 6.11 | .187 | 1-530842-7 |
| 50 | 6.535 165.99 | 6.255 158.88 | 6.375 161.93 | 6.125 155.58 | 7.055 179.20 | 6.795 172.59 | .125 3.18 | .125 3.18 | .241 6.11 | .125 | 3-531341-0 ² 1-530842-1 |

*Metric equivalent for post lengths are .125 = [3.18]; .187 = [4.75]

**C dimension is card slot length.

¹Connector with Retention Feature.

²Connector with Mid-High Mounting Ears.

Note: Other connector sizes can be made available, consult Tyco Electronics.

Standard Edge II Connectors (Continued)

Solder Type Board-to-Board Connectors

.100 [2.54] and .125 [3.18] Centerline, Vertical Wrap-Type Posts, Mid-High Mounting Ears

Material and Finish:
Housing—Black glass-filled polyester, 94V-0 rated
Contacts—Phosphor bronze, plated with .000030 [0.00076] gold in contact area, tin on posts, with entire contact nickel underplated

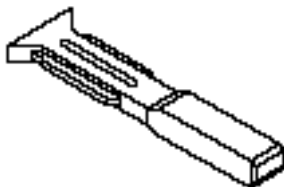
Related Product Data:
Performance Specifications—page 15
PC Board Hole Layout—page 26
PC Board Edge Pattern—page 27
Special Application—page 96

Technical Documents:
 (pages 186, 187):
 Product Specification 108-9039

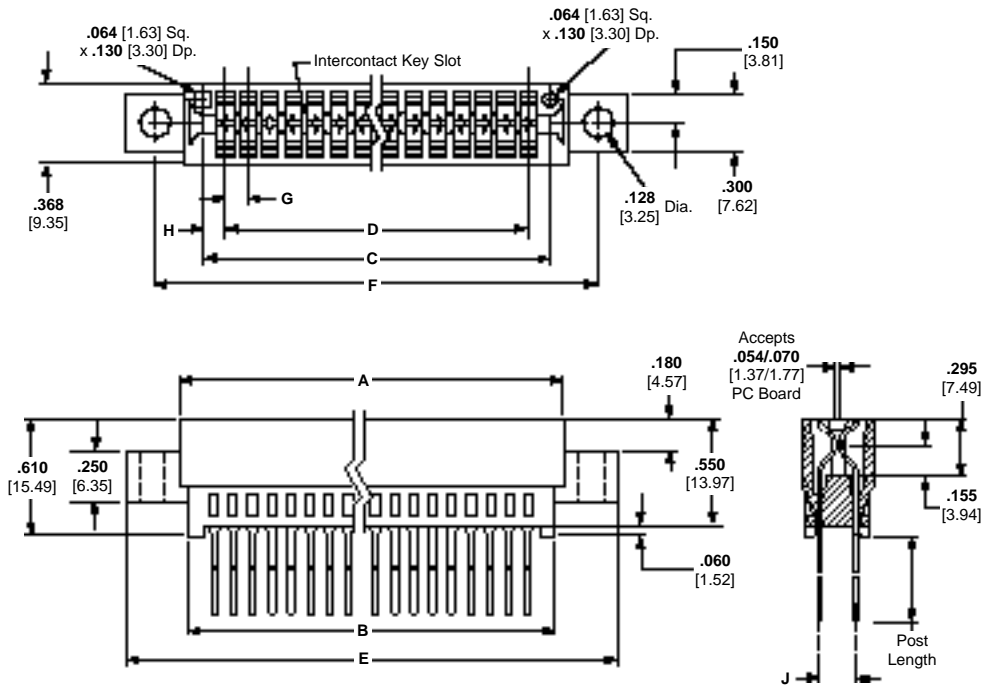
Intercontact Keying Plugs
Material:
 Natural color polyester



Part No. 650025-2
(.100 [2.54] Centerline)



Part No. 650025-1
(.125 [3.18] Centerline)



.100 [2.54] Centerline

| No. of Dual Positions | Dimensions | | | | | | | | | Post Length* | Part Numbers |
|-----------------------|------------|--------|--------|-------|--------|--------|------|------|------|--------------|--------------|
| | A | B | C** | D | E | F | G | H | J | | |
| 30 | 3.260 | 3.150 | 3.100 | 2.900 | 3.845 | 3.575 | .100 | .100 | .200 | .570 | 3-530396-3 |
| | 82.80 | 80.01 | 78.74 | 73.66 | 97.41 | 90.80 | 2.54 | 2.54 | 5.08 | | |
| 36 | 3.860 | 3.750 | 3.700 | 3.500 | 4.435 | 4.175 | .100 | .100 | .200 | .570 | 3-530396-4 |
| | 98.04 | 95.25 | 93.98 | 88.90 | 112.65 | 106.04 | 2.54 | 2.54 | 5.08 | | |
| 40 | 4.260 | 4.150 | 4.100 | 3.900 | 4.845 | 4.575 | .100 | .100 | .200 | .570 | 3-530396-4 |
| | 108.20 | 105.41 | 104.14 | 99.06 | 123.06 | 116.21 | 2.54 | 2.54 | 5.08 | | |

*Metric equivalent for post length is .570 = [14.48].
 **C dimension is card slot length.
Note: Other connector sizes can be made available, consult Tyco Electronics.

.125 [3.18] Centerline

| No. of Dual Positions | Dimensions | | | | | | | | | Post Length* | Part Numbers |
|-----------------------|------------|-------|-------|-------|-------|-------|------|------|------|--------------|--------------|
| | A | B | C** | D | E | F | G | H | J | | |
| 22 | 3.035 | 2.755 | 2.875 | 2.625 | 3.555 | 3.295 | .125 | .125 | .250 | .570 | 4-530825-5 |
| | 77.09 | 69.98 | 73.02 | 66.67 | 90.30 | 83.69 | 3.18 | 3.18 | 6.35 | | |

*Metric equivalent for post length is .570 = [14.48].
 **C dimension is card slot length.
Note: Other connector sizes can be made available, consult Tyco Electronics.

Standard Edge II Connectors (Continued)

.100 [2.54] and .125 [3.18] Centerlines, Card Extender Contacts

Material and Finish:

Housing—Black glass-filled polyester, 94V-0 rated

Contacts—Phosphor bronze, plated with .000030 [0.00076] gold in contact area, tin on posts, with entire contact nickel underplated

Related Product Data:

Performance Specifications—page 15

PC Board Hole Layout—page 26

PC Board Edge Pattern—page 27

Technical Documents:

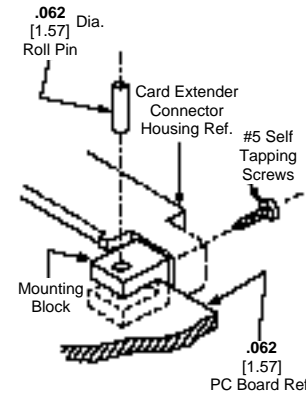
(pages 186, 187):

Product Specification 108-9039

Mounting Block

Material:

Natural color nylon



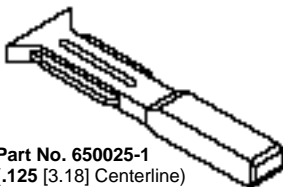
Kit Part No. 531250-4

Each kit includes 2 mounting blocks, 2 self tapping screws, #5 x .437 [11.10] and 2 roll pins, .075 x .250 [1.57 x 6.35]

Intercontact Keying Plugs

Material:

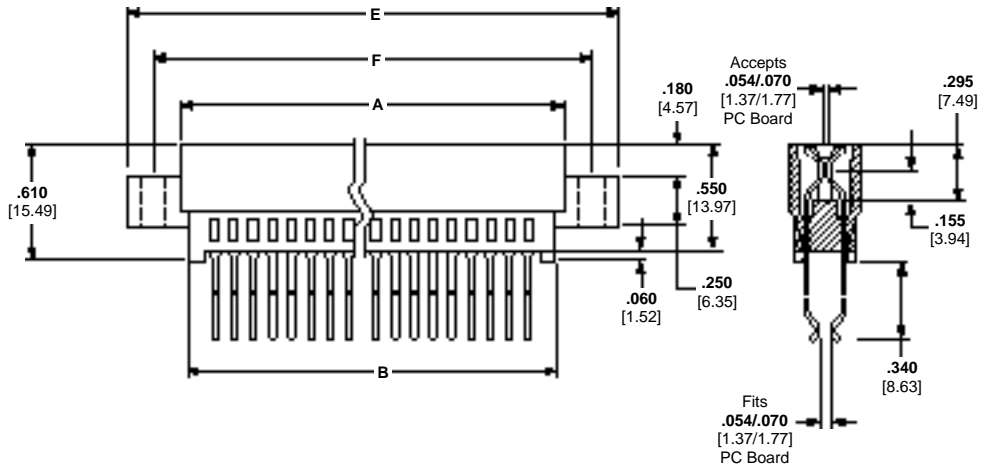
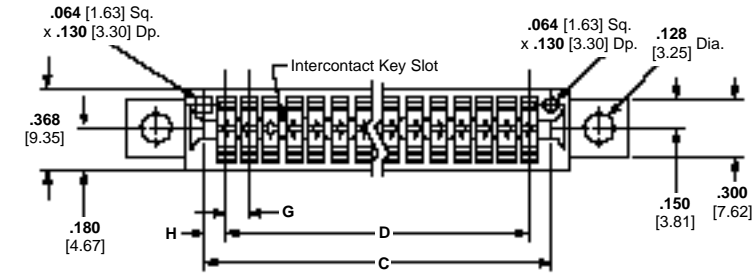
Natural color polyester



Part No. 650025-1
(.125 [3.18] Centerline)



Part Number 650025-2
(.100 [2.54] Centerline)



.100 [2.54] Centerline

| No. of Dual Positions | Dimensions | | | | | | | | Part Numbers |
|-----------------------|-----------------|-----------------|-----------------|-----------------|-----------------|-----------------|--------------|--------------|--------------|
| | A | B | C** | D | E | F | G | H | |
| 50 | 5.260 133.60 | 5.160 130.81 | 5.100 129.54 | 4.900 124.46 | 5.845 148.46 | 5.575 141.60 | .100 2.54 | .100 2.54 | 530826-3 |

*C dimension is card slot length.

†No mounting ears.

Note: Other connector sizes can be made available, consult Tyco Electronics.

.125 [3.18] Centerline

| No. of Dual Positions | Dimensions | | | | | | | | Part Numbers |
|-----------------------|-----------------|-----------------|-----------------|-----------------|-----------------|-----------------|--------------|--------------|--------------|
| | A | B | C** | D | E | F | G | H | |
| 36 | 4.785 121.54 | 4.505 114.43 | 4.625 117.48 | 4.375 111.13 | 5.035 134.75 | 5.045 128.14 | .125 3.18 | .125 3.18 | 530384-2 |

*C dimension is card slot length.

Note: Other connector sizes can be made available, consult Tyco Electronics.

Standard Edge II Card Edge Connectors

.100 [2.54] Right-Angle Solder Posts, with Low and No Mounting Ears

Material and Finish:

Housing—Black glass-filled polyester, 94V-0 rated

Contacts—Phosphor bronze, duplex plated as follows:

Plating A—.000030 [0.00076] gold in contact area, tin on posts, with entire contact nickel underplated

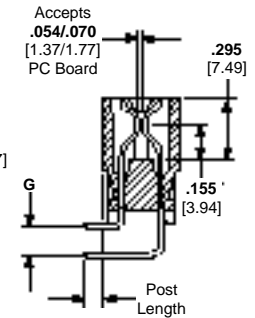
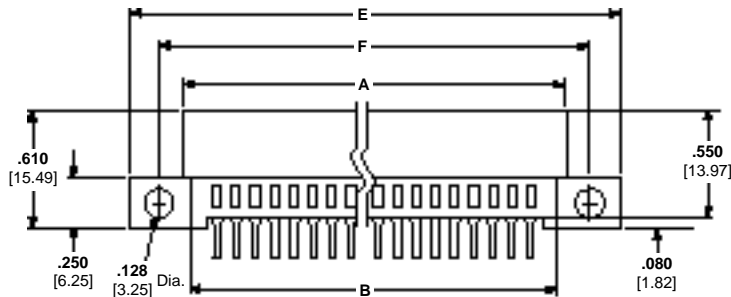
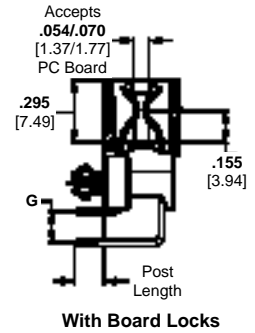
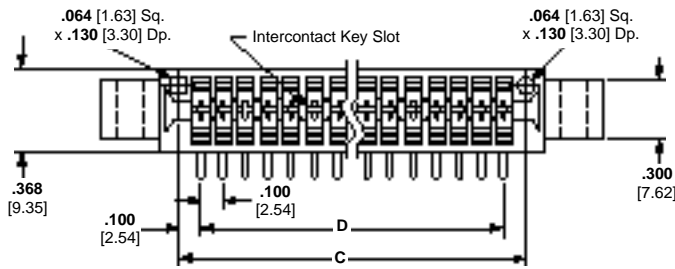
Plating B—.000015 [0.00038] gold in contact area, tin on posts, with entire contact nickel underplated

Related Product Data:

Performance Specifications—page 15

Technical Documents:

Product Specification
108-9039



Low Mounting Ears

Intercontact Keying Plug

Material:

Natural color polyester



Part Number 650025-2
(.100 [2.54] Centerline)

Low Mounting Ears

| No. of Dual Positions | Dimensions | | | | | | | Post Length ² | Part Numbers (Plating A) |
|-----------------------|------------|-------|-------|-------|-------|-------|----------------|--------------------------|--------------------------|
| | A | B | C* | D | E | F | G ¹ | | |
| 12 | 1.460 | 1.350 | 1.300 | 1.100 | 2.045 | 1.775 | .100x | .090 | 145089-1 ³ |
| | 37.08 | 34.29 | 33.02 | 27.94 | 51.94 | 45.08 | .150 | | |
| 18 | 2.060 | 1.950 | 1.900 | 1.700 | 2.645 | 2.375 | .100x | .090 | 645384-1 |
| | 52.32 | 49.53 | 48.26 | 43.18 | 67.18 | 60.32 | .150 | | |
| 20 | 2.260 | 2.150 | 2.100 | 1.900 | 2.845 | 2.575 | .100x | .090 | 645384-3 |
| | 57.40 | 54.61 | 53.34 | 48.26 | 72.30 | 65.40 | .150 | | |

*C dimension is card slot length.

¹ Metric equivalent for .100 x .150 and .100 x .200 are [2.54 x 3.81] and [2.54 x 5.08].

² Metric equivalent for post length is .090 = [2.27].

³ Connector with Board Locks.

Note: Other connector sizes can be made available, consult Tyco Electronics.

No Mounting Ears

| No. of Dual Positions | Dimensions | | | | | Post Length ² | Part Numbers | |
|-----------------------|------------|-------|-------|-------|----------------|--------------------------|--------------|-----------|
| | A | B | C* | D | G ¹ | | Plating A | Plating B |
| 15 | 1.760 | 1.650 | 1.600 | 1.400 | .100x | .090 | 650118-1 | — |
| | 44.70 | 41.91 | 40.64 | 35.56 | .150 | | | |
| 17 | 1.960 | 1.850 | 1.800 | 1.600 | .100x | .090 | 650187-1 | — |
| | 49.78 | 46.99 | 45.72 | 40.64 | .200 | | | |
| 25 | 2.760 | 2.350 | 2.600 | 2.400 | .100x | .090 | — | 532600-2 |
| | 70.10 | 67.61 | 66.04 | 60.96 | .150 | | | |
| 31 | 3.360 | 3.250 | 3.200 | 3.000 | .100x | .090 | — | 532600-4 |
| | 85.34 | 82.55 | 81.28 | 76.20 | .150 | | | |
| 32 | 3.460 | 3.350 | 3.300 | 3.100 | .100x | .090 | — | 532600-5 |
| | 87.88 | 85.09 | 83.82 | 78.74 | .150 | | | |
| 19 | 2.160 | 2.750 | 2.700 | 1.800 | .100x | .090 | — | 532600-6 |
| | 54.86 | 69.85 | 68.58 | 45.72 | .150 | | | |

*C dimension is card slot length.

¹ Metric equivalent for .100 x .150 and .100 x .200 are [2.54 x 3.81] and [2.54 x 5.08].

² Metric equivalent for post length is .090 = [2.27].

Notes: 1. Other connector sizes can be made available, consult Tyco Electronics.

2. High temperature IR reflow compatible connectors can be made available, consult Tyco Electronics.

Standard Edge II Card Edge Connectors

.100 [2.54] Centerline Vertical Solder Posts, Retention Feature, Without Mounting Ears

Material and Finish:

Housing—Black glass-filled polyester, 94V-0 rated

Contacts—Phosphor bronze, duplex plated as follows:

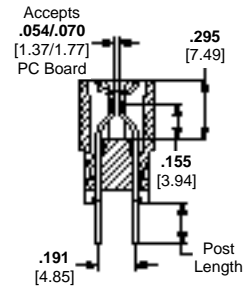
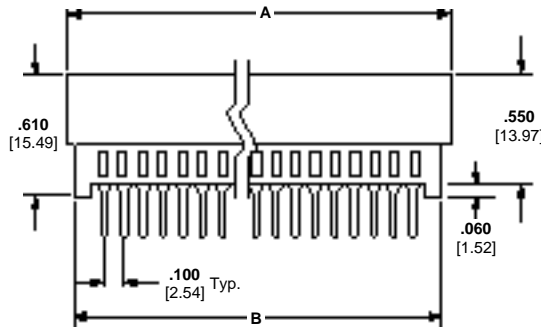
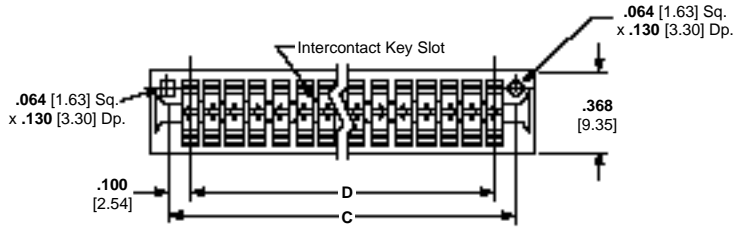
Plating A—.000030 [0.00076] gold in contact area, tin on posts, with entire contact nickel underplated

Plating B—.000015 [0.00038] gold in contact area, tin on posts, with entire contact nickel underplated

Plating C—Gold flash in contact area, tin on posts, with entire contact nickel underplated

Technical Documents:

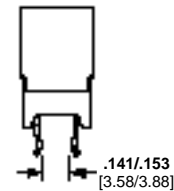
Product Specification
108-9039



Intercontact Keying Plug

Material:

Natural color polyester



Retention Feature

Part Number 650025-2
(.100 [2.54] Centerline)

| No. of Dual Positions | Dimensions | | | | Post Length* | Retention Feature | PartNumbers Plating A |
|-----------------------|-----------------|-----------------|-----------------|-----------------|--------------|-------------------------------|--------------------------|
| | A | B | C** | D | | | |
| 18 | 2.060 52.32 | 1.950 49.53 | 1.900 48.26 | 1.700 43.18 | .125 | 3-6, 31-34 | 645235-4 |
| 31 | 3.360 85.34 | 3.250 82.55 | 3.200 81.28 | 3.000 76.20 | .125 | 3-6, 29-32 or 31-34, 57-60 | 645235-1 |
| 50 | 5.260 133.60 | 5.150 130.81 | 5.100 129.54 | 4.900 124.46 | .125 | 3-6, 49-52, 95-98 | 645235-3 |
| 60 | 6.260 159.00 | 6.150 156.21 | 6.100 154.94 | 5.900 149.86 | .125 | 3-6, 55-58, 63-66, 115-118 | 645235-8 |

*Metric equivalent for post length is .125 = [3.18].

**C dimension is card slot length.

Notes: 1. Other connector sizes can be made available, consult Tyco Electronics.
2. High temperature IR reflow compatible connectors can be made available, consult Tyco Electronics.

Standard Edge II Card Edge Connectors

Solder Type Board-to-Board Connectors

.100 [2.54] Centerline, Special 18/31 Dual Combination Connector, Vertical Solder Posts, Without Mounting Ears

Material and Finish:

Housing—Black glass-filled polyester, 94V-0 rated, except where noted

Contacts—Phosphor bronze, plated with .000030 [0.00076] gold in contact area (except where noted), tin on posts, with entire contact nickel underplated

Technical Documents:

Product Specification
108-9039

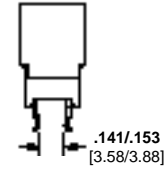
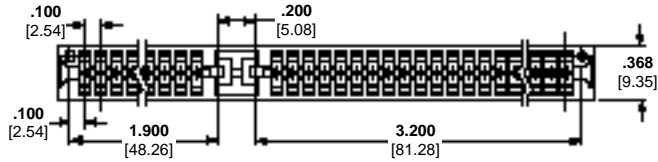
Intercontact Keying Plug

Material:

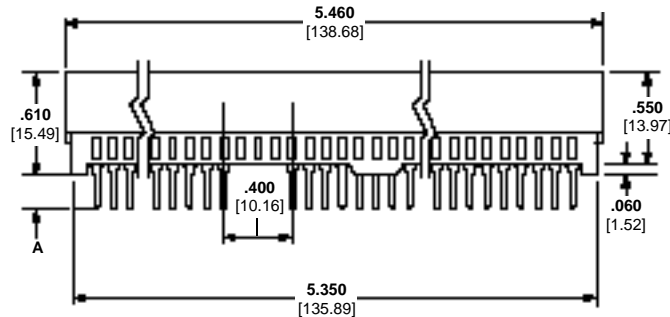
Natural color polyester



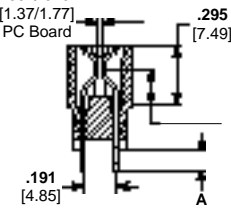
Part Number 650025-2
(.100 [2.54] Centerline)



Retention Feature



Accepts
.054/.070
[1.37/1.77]
PC Board



Solder Posts

| No. of Dual Positions | Post Type | Dimension A | Retention Feature | Part Numbers |
|-----------------------|--------------|--------------|---------------------------------|-----------------------------------|
| 52 | Solder Posts | .125 3.18 | 3-6, 41, 42, 51, 52, 93-96 | 645169-2 536128-1 ¹ |
| 52 | Solder Posts | .125 3.18 | None | 645169-3 |
| 52 | Solder Posts | .125 3.18 | 3-14, 41, 42, 51, 52, 85-96 | 645169-4 |
| 52 | Solder Posts | .125 3.18 | 5, 6, 31, 32, 41, 42, 93, 94 | 176139-1 ² |
| 52 | Solder Posts | .187 4.75 | None | 650616-1 |

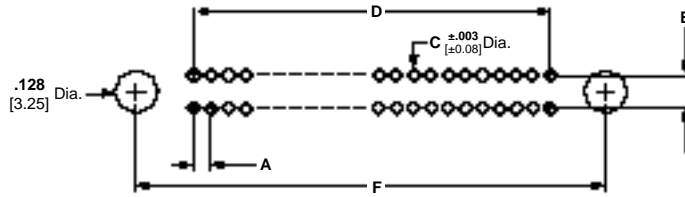
¹ Housing material is high temperature glass-filled polyester, gray.
² Contact area is gold flash.

- Notes:**
1. Card slot length is **5.300** [134.62].
 2. Other connector sizes can be made available, consult Tyco Electronics.
 3. High temperature IR reflow compatible connectors can be made available, consult Tyco Electronics.

Recommended
PC Board Hole Layouts

Standard Edge II Connectors (Continued)

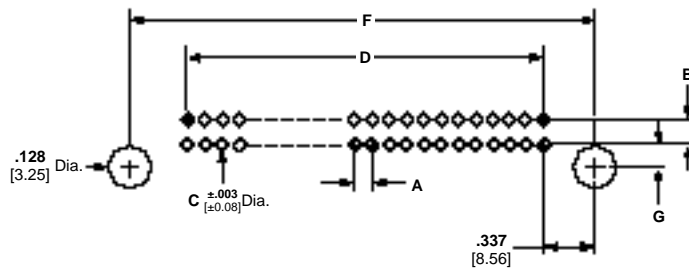
Vertical Post Connectors



| Connector Type | Dimensions | | | | |
|--------------------------------|------------------------|------------------------|--------------|------------|------------|
| | A | B | C | D | F |
| Solder Post/Retention | .100 2.54 | .200 5.08 | .040 1.02 | See Note 1 | See Note 2 |
| Solder Post/Retention | .150 3.81 | .200 5.08 | .040 1.02 | See Note 4 | See Note 2 |
| Solder Post, Mounting Ears | .125 3.18 | .250 6.35 | .040 1.02 | See Note 3 | See Note 3 |
| Solder Post, W/O Mounting Ears | .100/.125 2.54/3.18 | .200/.250 5.08/6.35 | .040 1.02 | See Note 4 | See Note 2 |
| Wrap-Type Post | .100 2.54 | .200 5.08 | .042 1.07 | See Note 5 | See Note 5 |
| Wrap-Type Post | .125 3.18 | .250 6.35 | .042 1.07 | See Note 5 | See Note 5 |

- Notes:**
1. Refer to page 24 for **D** Dimensions and Dual Positions.
 2. No mounting ears. Dimensions do not apply.
 3. Refer to page 20 for **D** and **F** Dimensions and Dual Positions.
 4. Refer to pages 18 and 19 for **D** Dimensions and Dual Positions.
 5. Refer to page 21 for **D** and **F** Dimensions and Dual Positions.

Right-Angle Post Connectors



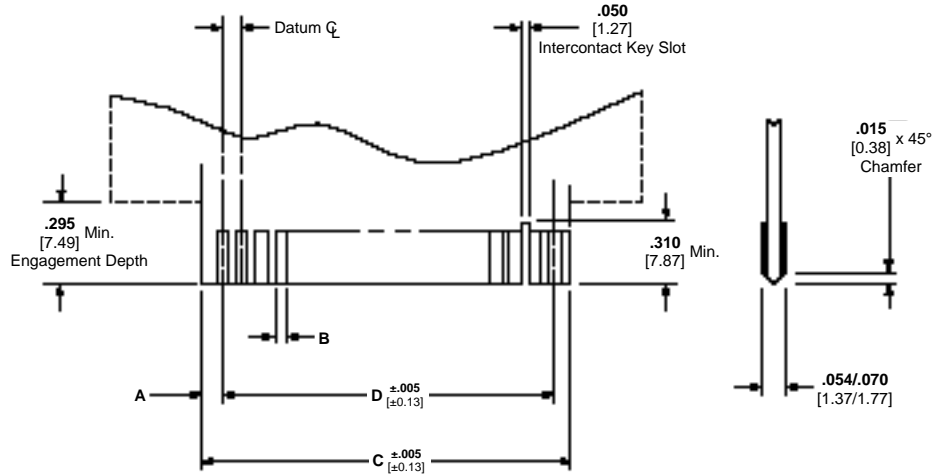
| Connector Type | Dimensions | | | | | |
|-------------------------------------|--------------|------------------------------|--------------|------------|------------|--------------|
| | A | B | C | D | F | G |
| Right-Angle Posts, Mounting Ears | .100 2.54 | .150 3.81 | .042 1.07 | See Note 1 | See Note 1 | .137 3.48 |
| Right-Angle Posts, No Mounting Ears | .100 2.54 | .150 or .200 3.81 or 5.08 | .042 1.07 | See Note 2 | See Note 3 | See Note 3 |

- Notes:**
1. Refer to page 23 for **D** and **F** Dimensions and Dual Positions.
 2. Refer to page 23 for **D** Dimensions and Dual Positions.
 3. No Mounting Ears, Dimensions do not apply.

Standard Edge II Connectors (Continued)

**Recommended
PC Board Edge Pattern**

**PC Board Edge Pattern for
.100 [2.54] and .125 [3.18]
Centerline**



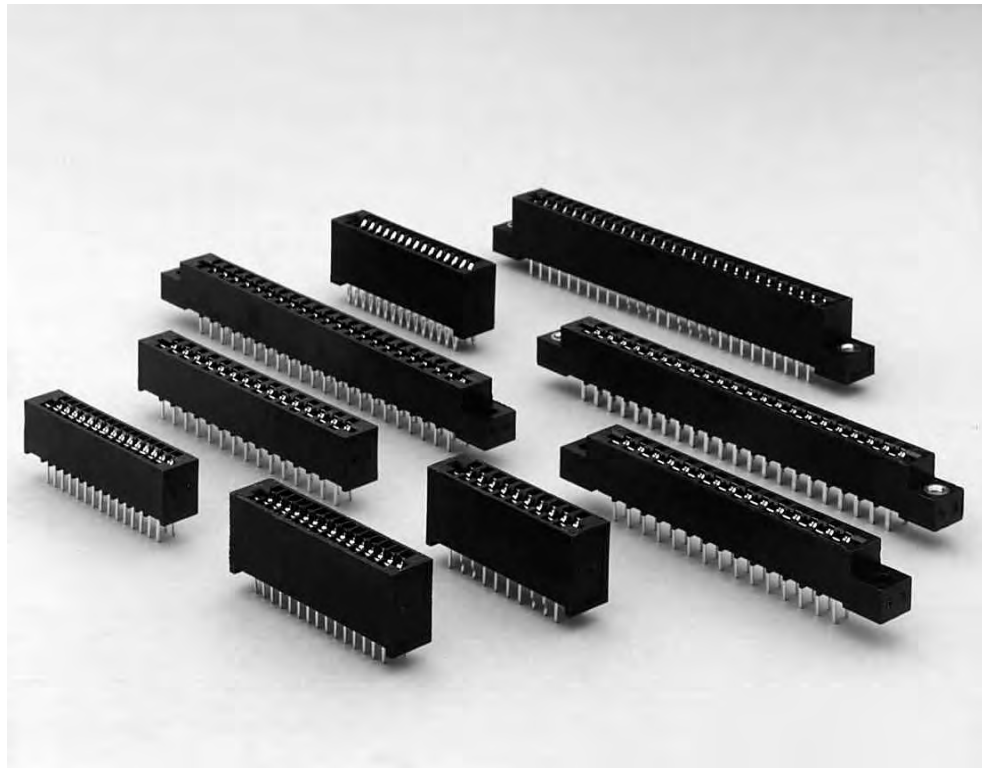
| No. of Dual Positions | .100 [2.54] Centerline A = .093 [2.36] B = .050 [1.27] | | .125 [3.18] Centerline A = .118 [3.00] B = .075 [1.90] | |
|-----------------------|--|-----------------|--|-----------------|
| | C | D | C | D |
| 3 | .386 9.80 | .200 5.08 | — | — |
| 6 | .686 17.42 | .500 12.70 | .861 21.87 | .625 15.88 |
| 10 | 1.086 27.58 | .900 22.86 | 1.361 34.57 | 1.125 28.58 |
| 12 | 1.286 32.66 | 1.100 27.94 | — | — |
| 13 | 1.386 35.20 | 1.200 30.48 | — | — |
| 14 | — | — | 1.861 47.27 | 1.625 41.28 |
| 15 | 1.586 40.28 | 1.400 35.56 | — | — |
| 17 | 1.786 45.36 | 1.600 40.64 | — | — |
| 18 | 1.886 47.90 | 1.700 43.18 | 2.361 59.97 | 2.125 53.98 |
| 22 | 2.286 58.06 | 2.100 53.34 | 2.861 72.67 | 2.625 66.68 |
| 25 | 2.586 65.68 | 2.400 60.96 | — | — |
| 28 | 2.886 73.30 | 2.700 68.58 | 3.611 91.72 | 3.375 85.73 |
| 30 | 3.086 78.38 | 2.900 73.66 | 3.861 98.07 | 3.625 92.08 |
| 31 | 3.186 80.92 | 3.000 76.20 | 3.986 101.24 | 3.750 95.25 |
| 35 | 3.586 91.08 | 3.400 86.36 | — | — |
| 36 | 3.686 93.62 | 3.500 88.90 | 4.611 117.12 | 4.375 111.13 |
| 40 | 4.086 103.78 | 3.900 99.06 | 5.111 129.82 | 4.875 123.82 |
| 43 | 4.386 111.40 | 4.200 106.68 | 5.486 139.34 | 5.250 133.35 |
| 50 | 5.086 129.18 | 4.900 124.46 | 6.361 161.57 | 6.125 155.58 |
| 60 | 6.086 154.58 | 5.900 149.86 | — | — |
| 70 | 7.086 179.98 | 6.900 175.26 | — | — |

Cantilever Series Card Edge Connectors

Product Facts

- Double readout Card Edge connectors use dip solder contacts
- Large lead-in chamfers allow easy PC board installation
- Insulator standoffs prevent solder from wicking
- Various lengths for custom applications
- Contact option, single or dual row

Solder Type Board-to-Board Connectors



Description

The Cantilever Beam Series products from Tyco Electronics are double readout cardedge connectors, using dip solder contacts. Tooled for flexible manufacturing, these Card Edge connectors are readily available in a broad assortment of sizes and mounting styles. Our connectors meet industry standards.

Design Advantages

- **Circuit Integrity:** Robust cantilever contacts are designed to promote optimal normal forces at the lowest possible cost. Our uniquely contoured contact mating surface gives you constant engagement, even when subjected to continuous vibration.
- **Ease of Assembly:** Generous lead-in chamfers let your P.C. board slide easily into the connector. Insulator standoffs are provided to facilitate cleaning and prevent solder from wicking.

Availability, flexibility, performance and very low cost make the Cantilever Series from Tyco Electronics the clear choice in Card Edge connectors.

Cantilever Beam

The Cantilever Beam Card Edge connector comes with standard high temperature plastic insulators. Contacts are available in a variety of lengths to accommodate various custom applications. Standoffs allow for cleaning and draining and are available as an option on most insulator bodies.

Cantilever Beam Card Edge offers a variety of card slot depths. A full scoop option is available for ease of installation in applications where visibility is limited.

Contact options vary in this series from dual row standard contacts, single row options and press-fit.

Cantilever Series Connectors .100 x .200 [2.54 x 5.08] Centerline

Product Facts

- Recognized under the Component Program of Underwriters Laboratories Inc., File No. E60980 
- Certified by Canadian Standards Association, File No. LR49571 

Physical Properties:

Insulation Resistance—5000 megohms minimum.

Insertion/Withdrawal Force (Daughter Card)—8 oz./2 oz. [35.6 N/ 8.9 N] average contact pair using .0620 [1.57] steel blade.

Insulator Body—Glass filled thermoplastic, UL rating 94V-0. High temp. plastic option is available; add suffix M399 to part number.

Color—Black

Contacts—High strength copper alloy.

Contact Plating—.000050 [0.00127] nickel underplate with .000030 [0.00076] gold in the mating area, tin/lead on tails, .000100 [0.00254] minimum

Electrical Properties:

Operation Voltage—600 VDC (sea level)

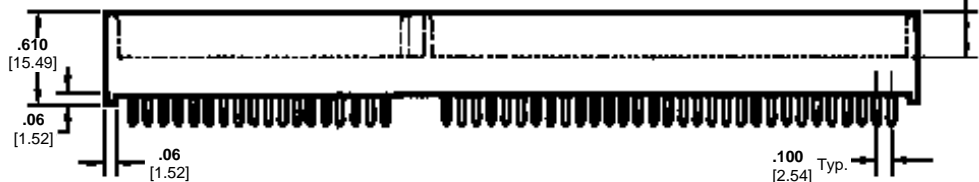
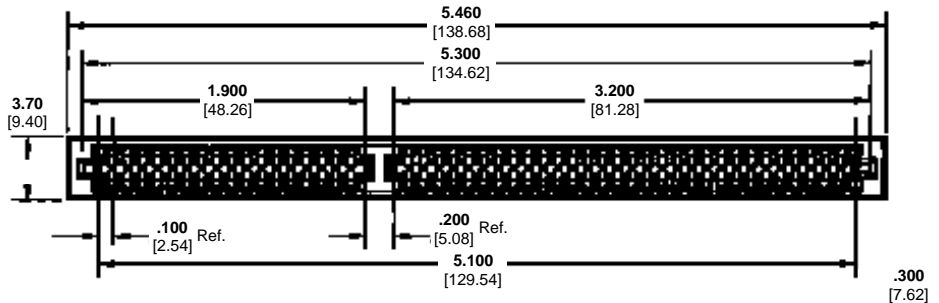
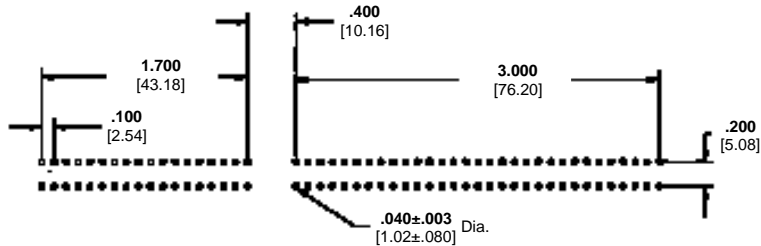
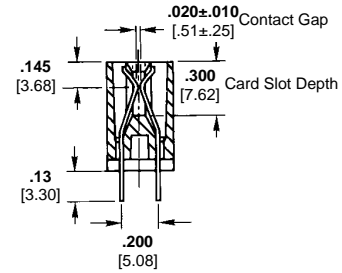
Current Rating—3 Amperes

Initial Contact Resistance—10 milliohms

Environmental Properties:

Operating Temperature—-55°C to +125°C

Temperature Cycling—MIL-STD-202 method 107



Ordering Information

Acquired Part Number

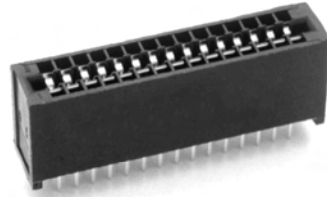
C8D52DS29C1M191 – Insulator with molded-in polarizing key with card guide chamber. The card slot lengths are 1.900 [48.26] and 3.200 [81.28]. Includes retention tails for .062 [1.57] PCB to hold connectors securely during handling.

C8D52DS29C1M195 – Same as above. No retention tails.

**Cantilever Series Connectors .100 x .200 [2.54 x 5.08] Centerline
Dip Solder Tails, .300 [7.62] Card Slot Depth**

Product Facts

- Recognized under the Component Program of Underwriters Laboratories Inc., File No. E60980 
- Certified by Canadian Standards Association, File No. LR49571 



Physical Properties:

Insulation Resistance—5000 megohms minimum.
Insertion/Withdrawal Force (Daughter Card)—8 oz./2 oz. [35.6 N/ 8.9 N] average contact pair using .0620 [1.57] steel blade.
Insulator Body—Glass filled thermoplastic, UL rating 94V-0. High temp. plastic option is available; add suffix M399 to part number.

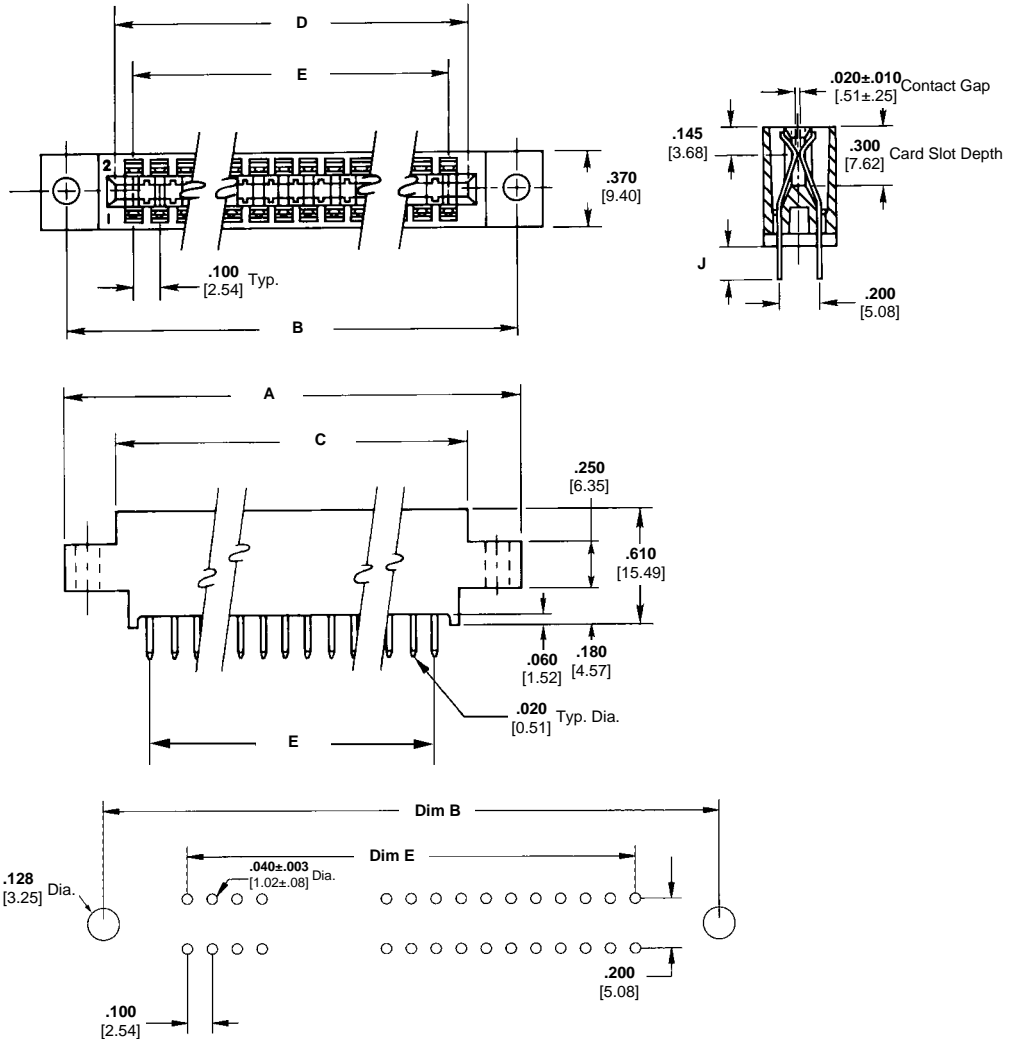
Color—Black
Contacts—High strength copper alloy.
Contact Plating—.000050 [0.00127] nickel underplate with .000030 [0.00076] gold in the mating area, tin/lead on tails, .000100 [0.00254] minimum

Electrical Properties:
Operation Voltage—600 VDC (sea level)
Current Rating—3 Amperes
Initial Contact Resistance—10 milliohms

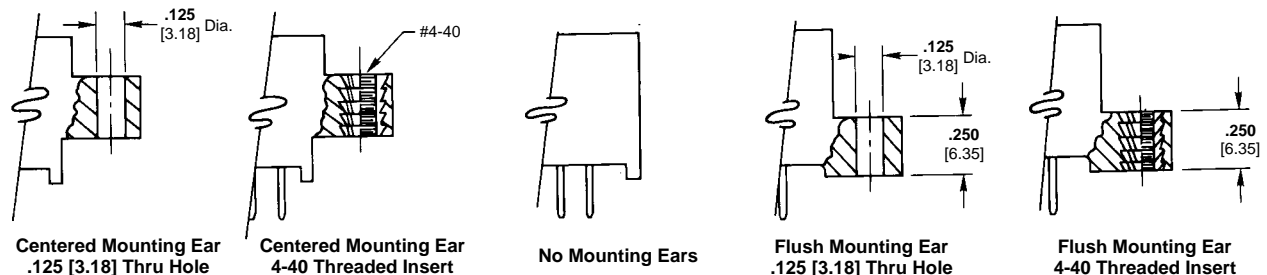
Environmental Properties:
Operating Temperature—-55°C to +125°C
Temperature Cycling—MIL-STD-202 method 107

Vibration—MIL-STD-202 method 204

Related Product Data:
Daughter Card Edge Pattern—page 57



Mounting Styles



Ordering Information

.100" [2.54] Centerline / .200" [5.08] Row-to-Row

| No. of Dual Readout Positions | Dimensions | | | | | Mounting Ear Options | | | | |
|---|-----------------|-----------------|-----------------|-----------------|-----------------|--|--|------------------|---|---|
| | A | B | C | D | E | Centered Mounting Ear .125" [3.18] Thru Hole | Centered Mounting Ear 4-40 Threaded insert | No Mounting Ears | Flush Mounting Ear .125" [3.18] Thru Hole | Flush Mounting Ear 4-40 Threaded insert |
| Tail Length .130" [3.30] (DIM "J") | | | | | | | | | | |
| 6 | 1.435 36.45 | 1.175 29.85 | 0.860 21.84 | 0.700 17.78 | 0.500 12.70 | C8D06DS29A1 | C8D06DS29B1 | C8D06DS29C1 | C8D06DS29D1 | C8D06DS29E1 |
| 10 | 1.835 46.61 | 1.575 40.01 | 1.260 32.00 | 1.100 27.94 | 0.900 22.86 | C8D10DS29A1 | C8D10DS29B1 | C8D10DS29C1 | C8D10DS29D1 | C8D10DS29E1 |
| 12 | 2.035 51.69 | 1.775 45.09 | 1.460 37.08 | 1.300 33.02 | 1.100 27.94 | C8D12DS29A1 | C8D12DS29B1 | C8D12DS29C1 | C8D12DS29D1 | C8D12DS29E1 |
| 15 | 2.335 59.31 | 2.075 52.71 | 1.760 44.70 | 1.600 40.64 | 1.400 35.56 | C8D15DS29A1 | C8D15DS29B1 | C8D15DS29C1 | C8D15DS29D1 | C8D15DS29E1 |
| 18 | 2.635 66.93 | 2.375 60.33 | 2.060 52.32 | 1.900 48.26 | 1.700 43.18 | C8D18DS29A1 | C8D18DS29B1 | C8D18DS29C1 | C8D18DS29D1 | C8D18DS29E1 |
| 20 | 2.835 72.01 | 2.575 65.41 | 2.260 57.40 | 2.100 53.34 | 1.900 48.26 | C8D20DS29A1 | C8D20DS29B1 | C8D20DS29C1 | C8D20DS29D1 | C8D20DS29E1 |
| 22 | 3.035 77.09 | 2.775 70.49 | 2.460 62.48 | 2.300 58.42 | 2.100 53.34 | C8D22DS29A1 | C8D22DS29B1 | C8D22DS29C1 | C8D22DS29D1 | C8D22DS29E1 |
| 25 | 3.335 84.71 | 3.075 78.11 | 2.760 70.10 | 2.600 66.04 | 2.400 60.96 | C8D25DS29A1 | C8D25DS29B1 | C8D25DS29C1 | C8D25DS29D1 | C8D25DS29E1 |
| 28 | 3.635 92.33 | 3.375 85.73 | 3.060 77.72 | 2.900 73.66 | 2.700 68.58 | C8D28DS29A1 | C8D28DS29B1 | C8D28DS29C1 | C8D28DS29D1 | C8D28DS29E1 |
| 30 | 3.835 97.41 | 3.575 90.81 | 3.260 82.80 | 3.100 78.74 | 2.900 73.66 | C8D30DS29A1 | C8D30DS29B1 | C8D30DS29C1 | C8D30DS29D1 | C8D30DS29E1 |
| 31 | 3.935 99.95 | 3.675 93.35 | 3.360 85.34 | 3.200 81.28 | 3.000 76.20 | C8D31DS29A1 | C8D31DS29B1 | C8D31DS29C1 | C8D31DS29D1 | C8D31DS29E1 |
| 35 | 4.335 110.11 | 4.075 103.51 | 3.760 95.50 | 3.600 91.44 | 3.400 86.36 | C8D35DS29A1 | C8D35DS29B1 | C8D35DS29C1 | C8D35DS29D1 | C8D35DS29E1 |
| 36 | 4.435 112.65 | 4.175 106.05 | 3.860 98.04 | 3.700 93.98 | 3.500 88.90 | C8D36DS29A1 | C8D36DS29B1 | C8D36DS29C1 | C8D36DS29D1 | C8D36DS29E1 |
| 40 | 4.835 122.81 | 4.575 116.21 | 4.260 108.20 | 4.100 104.14 | 3.900 99.06 | C8D40DS29A1 | C8D40DS29B1 | C8D40DS29C1 | C8D40DS29D1 | C8D40DS29E1 |
| 43 | 5.135 130.43 | 4.875 123.83 | 4.560 115.82 | 4.400 111.76 | 4.200 106.68 | C8D43DS29A1 | C8D43DS29B1 | C8D43DS29C1 | C8D43DS29D1 | C8D43DS29E1 |
| 50 | 5.835 148.21 | 5.575 141.61 | 5.260 133.60 | 5.100 129.54 | 4.900 124.46 | C8D50DS29A1 | C8D50DS29B1 | C8D50DS29C1 | C8D50DS29D1 | C8D50DS29E1 |
| 60 | 6.835 173.61 | 6.575 167.01 | 6.260 159.00 | 6.100 154.94 | 5.900 149.86 | C8D60DS29A1 | C8D60DS29B1 | C8D60DS29C1 | C8D60DS29D1 | C8D60DS29E1 |
| Tail Length .160" [4.06] (DIM "J") | | | | | | | | | | |
| 6 | 1.435 36.45 | 1.175 29.85 | 0.860 21.84 | 0.700 17.78 | 0.500 12.70 | C8D06DS29A2 | C8D06DS29B2 | C8D06DS29C2 | C8D06DS29D2 | C8D06DS29E2 |
| 10 | 1.835 46.61 | 1.575 40.01 | 1.260 32.00 | 1.100 27.94 | 0.900 22.86 | C8D10DS29A2 | C8D10DS29B2 | C8D10DS29C2 | C8D10DS29D2 | C8D10DS29E2 |
| 12 | 2.035 51.69 | 1.775 45.09 | 1.460 37.08 | 1.300 33.02 | 1.100 27.94 | C8D12DS29A2 | C8D12DS29B2 | C8D12DS29C2 | C8D12DS29D2 | C8D12DS29E2 |
| 15 | 2.335 59.31 | 2.075 52.71 | 1.760 44.70 | 1.600 40.64 | 1.400 35.56 | C8D15DS29A2 | C8D15DS29B2 | C8D15DS29C2 | C8D15DS29D2 | C8D15DS29E2 |
| 18 | 2.635 66.93 | 2.375 60.33 | 2.060 52.32 | 1.900 48.26 | 1.700 43.18 | C8D18DS29A2 | C8D18DS29B2 | C8D18DS29C2 | C8D18DS29D2 | C8D18DS29E2 |
| 20 | 2.835 72.01 | 2.575 65.41 | 2.260 57.40 | 2.100 53.34 | 1.900 48.26 | C8D20DS29A2 | C8D20DS29B2 | C8D20DS29C2 | C8D20DS29D2 | C8D20DS29E2 |
| 22 | 3.035 77.09 | 2.775 70.49 | 2.460 62.48 | 2.300 58.42 | 2.100 53.34 | C8D22DS29A2 | C8D22DS29B2 | C8D22DS29C2 | C8D22DS29D2 | C8D22DS29E2 |
| 25 | 3.335 84.71 | 3.075 78.11 | 2.760 70.10 | 2.600 66.04 | 2.400 60.96 | C8D25DS29A2 | C8D25DS29B2 | C8D25DS29C2 | C8D25DS29D2 | C8D25DS29E2 |
| 28 | 3.635 92.33 | 3.375 85.73 | 3.060 77.72 | 2.900 73.66 | 2.700 68.58 | C8D28DS29A2 | C8D28DS29B2 | C8D28DS29C2 | C8D28DS29D2 | C8D28DS29E2 |
| 30 | 3.835 97.41 | 3.575 90.81 | 3.260 82.80 | 3.100 78.74 | 2.900 73.66 | C8D30DS29A2 | C8D30DS29B2 | C8D30DS29C2 | C8D30DS29D2 | C8D30DS29E2 |
| 31 | 3.935 99.95 | 3.675 93.35 | 3.360 85.34 | 3.200 81.28 | 3.000 76.20 | C8D31DS29A2 | C8D31DS29B2 | C8D31DS29C2 | C8D31DS29D2 | C8D31DS29E2 |
| 35 | 4.335 110.11 | 4.075 103.51 | 3.760 95.50 | 3.600 91.44 | 3.400 86.36 | C8D35DS29A2 | C8D35DS29B2 | C8D35DS29C2 | C8D35DS29D2 | C8D35DS29E2 |
| 36 | 4.435 112.65 | 4.175 106.05 | 3.860 98.04 | 3.700 93.98 | 3.500 88.90 | C8D36DS29A2 | C8D36DS29B2 | C8D36DS29C2 | C8D36DS29D2 | C8D36DS29E2 |
| 40 | 4.835 122.81 | 4.575 116.21 | 4.260 108.20 | 4.100 104.14 | 3.900 99.06 | C8D40DS29A2 | C8D40DS29B2 | C8D40DS29C2 | C8D40DS29D2 | C8D40DS29E2 |
| 43 | 5.135 130.43 | 4.875 123.83 | 4.560 115.82 | 4.400 111.76 | 4.200 106.68 | C8D43DS29A2 | C8D43DS29B2 | C8D43DS29C2 | C8D43DS29D2 | C8D43DS29E2 |

.100" [2.54] Centerline / .200" [5.08] Row-to-Row

| No. of Dual Readout Positions | Dimensions | | | | | Mounting Ear Options | | | | |
|---|-----------------|-----------------|-----------------|-----------------|-----------------|--|--|------------------|---|---|
| | A | B | C | D | E | Centered Mounting Ear .125" [3.18] Thru Hole | Centered Mounting Ear 4-40 Threaded insert | No Mounting Ears | Flush Mounting Ear .125" [3.18] Thru Hole | Flush Mounting Ear 4-40 Threaded insert |
| Tail Length .160" [4.06] (DIM "J") (Continued) | | | | | | | | | | |
| 50 | 5.835 148.21 | 5.575 141.61 | 5.260 133.60 | 5.100 129.54 | 4.900 124.46 | C8D50DS29A2 | C8D50DS29B2 | C8D50DS29C2 | C8D50DS29D2 | C8D50DS29E2 |
| 60 | 6.835 173.61 | 6.575 167.01 | 6.260 159.00 | 6.100 154.94 | 5.900 149.86 | C8D60DS29A2 | C8D60DS29B2 | C8D60DS29C2 | C8D60DS29D2 | C8D60DS29E2 |
| Tail Length .220" [5.59] (DIM "J") | | | | | | | | | | |
| 6 | 1.435 36.45 | 1.175 29.85 | 0.860 21.84 | 0.700 17.78 | 0.500 12.70 | C8D06DS29A3 | C8D06DS29B3 | C8D06DS29C3 | C8D06DS29D3 | C8D06DS29E3 |
| 10 | 1.835 46.61 | 1.575 40.01 | 1.260 32.00 | 1.100 27.94 | 0.900 22.86 | C8D10DS29A3 | C8D10DS29B3 | C8D10DS29C3 | C8D10DS29D3 | C8D10DS29E3 |
| 12 | 2.035 51.69 | 1.775 45.09 | 1.460 37.08 | 1.300 33.02 | 1.100 27.94 | C8D12DS29A3 | C8D12DS29B3 | C8D12DS29C3 | C8D12DS29D3 | C8D12DS29E3 |
| 15 | 2.335 59.31 | 2.075 52.71 | 1.760 44.70 | 1.600 40.64 | 1.400 35.56 | C8D15DS29A3 | C8D15DS29B3 | C8D15DS29C3 | C8D15DS29D3 | C8D15DS29E3 |
| 18 | 2.635 66.93 | 2.375 60.33 | 2.060 52.32 | 1.900 48.26 | 1.700 43.18 | C8D18DS29A3 | C8D18DS29B3 | C8D18DS29C3 | C8D18DS29D3 | C8D18DS29E3 |
| 20 | 2.835 72.01 | 2.575 65.41 | 2.260 57.40 | 2.100 53.34 | 1.900 48.26 | C8D20DS29A3 | C8D20DS29B3 | C8D20DS29C3 | C8D20DS29D3 | C8D20DS29E3 |
| 22 | 3.035 77.09 | 2.775 70.49 | 2.460 62.48 | 2.300 58.42 | 2.100 53.34 | C8D22DS29A3 | C8D22DS29B3 | C8D22DS29C3 | C8D22DS29D3 | C8D22DS29E3 |
| 25 | 3.335 84.71 | 3.075 78.11 | 2.760 70.10 | 2.600 66.04 | 2.400 60.96 | C8D25DS29A3 | C8D25DS29B3 | C8D25DS29C3 | C8D25DS29D3 | C8D25DS29E3 |
| 28 | 3.635 92.33 | 3.375 85.73 | 3.060 77.72 | 2.900 73.66 | 2.700 68.58 | C8D28DS29A3 | C8D28DS29B3 | C8D28DS29C3 | C8D28DS29D3 | C8D28DS29E3 |
| 30 | 3.835 97.41 | 3.575 90.81 | 3.260 82.80 | 3.100 78.74 | 2.900 73.66 | C8D30DS29A3 | C8D30DS29B3 | C8D30DS29C3 | C8D30DS29D3 | C8D30DS29E3 |
| 31 | 3.935 99.95 | 3.675 93.35 | 3.360 85.34 | 3.200 81.28 | 3.000 76.20 | C8D31DS29A3 | C8D31DS29B3 | C8D31DS29C3 | C8D31DS29D3 | C8D31DS29E3 |
| 35 | 4.335 110.11 | 4.075 103.51 | 3.760 95.50 | 3.600 91.44 | 3.400 86.36 | C8D35DS29A3 | C8D35DS29B3 | C8D35DS29C3 | C8D35DS29D3 | C8D35DS29E3 |
| 36 | 4.435 112.65 | 4.175 106.05 | 3.860 98.04 | 3.700 93.98 | 3.500 88.90 | C8D36DS29A3 | C8D36DS29B3 | C8D36DS29C3 | C8D36DS29D3 | C8D36DS29E3 |
| 40 | 4.835 122.81 | 4.575 116.21 | 4.260 108.20 | 4.100 104.14 | 3.900 99.06 | C8D40DS29A3 | C8D40DS29B3 | C8D40DS29C3 | C8D40DS29D3 | C8D40DS29E3 |
| 43 | 5.135 130.43 | 4.875 123.83 | 4.560 115.82 | 4.400 111.76 | 4.200 106.68 | C8D43DS29A3 | C8D43DS29B3 | C8D43DS29C3 | C8D43DS29D3 | C8D43DS29E3 |
| 50 | 5.835 148.21 | 5.575 141.61 | 5.260 133.60 | 5.100 129.54 | 4.900 124.46 | C8D50DS29A3 | C8D50DS29B3 | C8D50DS29C3 | C8D50DS29D3 | C8D50DS29E3 |
| 60 | 6.835 173.61 | 6.575 167.01 | 6.260 159.00 | 6.100 154.94 | 5.900 149.86 | C8D60DS29A3 | C8D60DS29B3 | C8D60DS29C3 | C8D60DS29D3 | C8D60DS29E3 |

Solder Type Board-to-Board Connectors

Cantilever Series Connectors 100 x .200 [2.54 x 5.08], .510 [12.95] and .395 [10.03] Card Slot Depth, Full Scoop

Product Facts

- Recognized under the Component Program of Underwriters Laboratories Inc., File No. E60980 
- Certified by Canadian Standards Association, File No. LR49571 

Physical Properties:

Insulation Resistance—5000 megohms minimum.

Insertion/Withdrawal Force (Daughter Card)—8 oz./2 oz. [35.6 N/ 8.9 N] average contact pair using .0620 [1.57] steel blade.

Insulator Body—Glass filled thermoplastic, UL rating 94V-0. High temp. plastic option is available; add suffix M399 to part number.

Color—Black

Contacts—High strength copper alloy.

Contact Plating—.000050 [0.00127] nickel underplate with .000030 [0.00076] gold in the mating area, tin/lead on tails, .000100 [0.00254] minimum

Electrical Properties:

Operation Voltage—600 VDC (sea level)

Current Rating—3 Amperes

Initial Contact Resistance—10 milliohms

Environmental Properties:

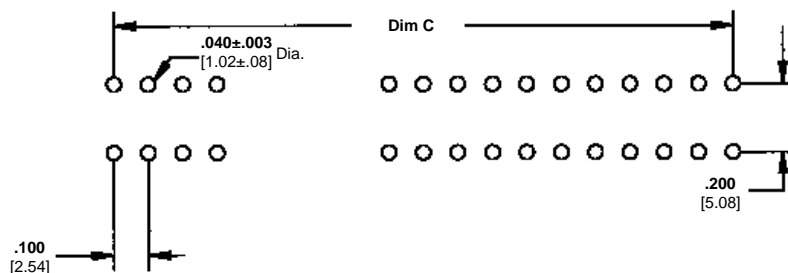
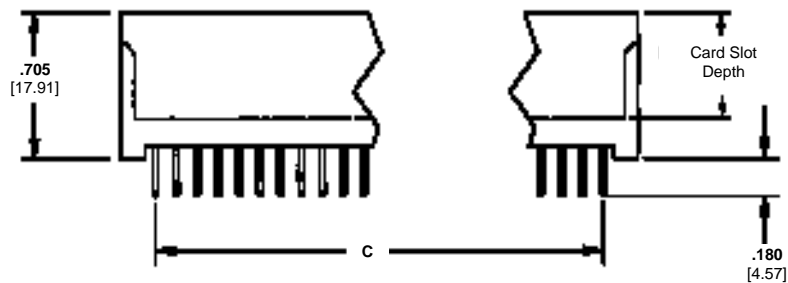
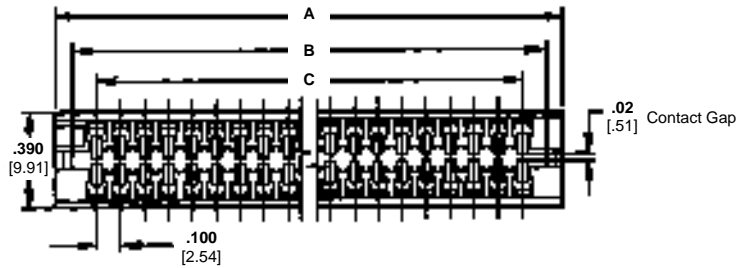
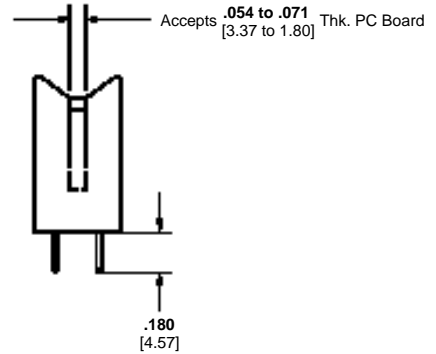
Operating Temperature—-55°C to +125°C

Temperature Cycling—MIL-STD-202 method 107

Vibration—MIL-STD-202 method 204

Related Product Data

Daughter Card Edge Pattern—page 57



Solder Type Board-to-Board Connectors

Ordering Information

.100" [2.54] Centerline / .200" [5.08] Row-to-Row Full Scoop

| No. of Dual Readout Pos. | Dimensions | | | Acquired Part Number |
|--------------------------------------|------------------------|------------------------|------------------------|-------------------------|
| | A | B | C | |
| .510" [12.95] Card Slot Depth | | | | |
| 18 | 2.034 51.66 | 1.904 48.36 | 1.700 43.18 | W8D18DS29063 |
| 20 | 2.234 56.74 | 2.104 53.44 | 1.900 48.26 | W8D20DS29063 |
| 22 | 2.434 61.82 | 2.304 58.52 | 2.100 53.34 | W8D22DS29063 |
| 25 | 2.734 69.44 | 2.604 66.14 | 2.400 60.96 | W8D25DS29063 |
| 28 | 3.034 77.06 | 2.904 73.76 | 2.700 68.58 | W8D28DS29063 |
| 30 | 3.234 82.14 | 3.104 78.84 | 2.900 73.66 | W8D30DS29063 |
| 35 | 3.734 94.84 | 3.604 91.54 | 3.400 86.36 | W8D35DS29063 |
| 36 | 3.834 97.38 | 3.704 94.08 | 3.500 88.90 | W8D36DS29063 |
| 40 | 4.234 107.54 | 4.104 104.24 | 3.900 99.06 | W8D40DS29063 |
| 43 | 4.534 115.16 | 4.404 111.86 | 4.200 106.68 | W8D43DS29063 |
| 45 | 4.734 120.24 | 4.604 116.94 | 4.400 111.76 | W8D45DS29063 |
| 50 | 5.234 132.94 | 5.104 129.64 | 4.900 124.46 | W8D50DS29063 |
| 60 | 6.234 158.34 | 6.104 155.04 | 5.900 149.86 | W8D60DS29063 |
| .395" [10.03] Card Slot Depth | | | | |
| 18 | 2.034 51.66 | 1.904 48.36 | 1.700 43.18 | W8D18DS29093 |
| 20 | 2.234 56.74 | 2.104 53.44 | 1.900 48.26 | W8D20DS29093 |
| 22 | 2.434 61.82 | 2.304 58.52 | 2.100 53.34 | W8D22DS29093 |
| 25 | 2.734 69.44 | 2.604 66.14 | 2.400 60.96 | W8D25DS29093 |
| 28 | 3.034 77.06 | 2.904 73.76 | 2.700 68.58 | W8D28DS29093 |
| 30 | 3.234 82.14 | 3.104 78.84 | 2.900 73.66 | W8D30DS29093 |
| 35 | 3.734 94.84 | 3.604 91.54 | 3.400 86.36 | W8D35DS29093 |
| 36 | 3.834 97.38 | 3.704 94.08 | 3.500 88.90 | W8D36DS29093 |
| 40 | 4.234 107.54 | 4.104 104.24 | 3.900 99.06 | W8D40DS29093 |
| 43 | 4.534 115.16 | 4.404 111.86 | 4.200 106.68 | W8D43DS29093 |
| 45 | 4.734 120.24 | 4.604 116.94 | 4.400 111.76 | W8D45DS29093 |
| 50 | 5.234 132.94 | 5.104 129.64 | 4.900 124.46 | W8D50DS29093 |
| 60 | 6.234 158.34 | 6.104 155.04 | 5.900 149.86 | W8D60DS29093 |

Solder Type Board-to-Board Connectors

Cantilever Series Connectors .125 x .250 [3.18 x 6.35] Centerline, Dip Solder Tails, .300 [7.62] Card Slot Depth

Product Facts

- Recognized under the Component Program of Underwriters Laboratories Inc., File No. E60980 
- Certified by Canadian Standards Association, File No. LR49571 

Physical Properties:

Insulation Resistance—5000 megohms minimum.

Insertion/Withdrawal Force (Daughter Card)—8 oz./2 oz. [35.6 N/ 8.9 N] average contact pair using .0620 [1.57] steel blade.

Insulator Body—Glass filled thermoplastic, UL rating 94V-0. High temp. plastic option is available; add suffix M399 to part number.

Color—Black

Contacts—High strength copper alloy.

Contact Plating—.000050 [0.00127] nickel underplate with .000030 [0.00076] gold in the mating area, tin/lead on tails, .000100 [0.00254] minimum

Electrical Properties:

Operation Voltage—1000 VDC (sea level)

Current Rating—3 Amperes

Initial Contact Resistance—10 milliohms

Environmental Properties:

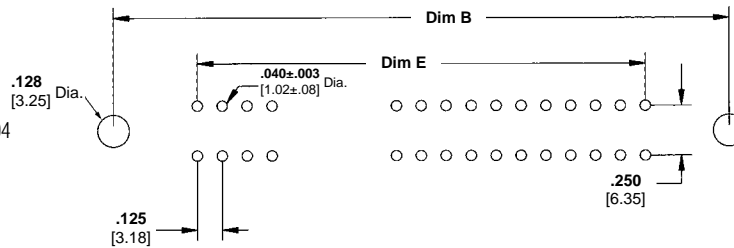
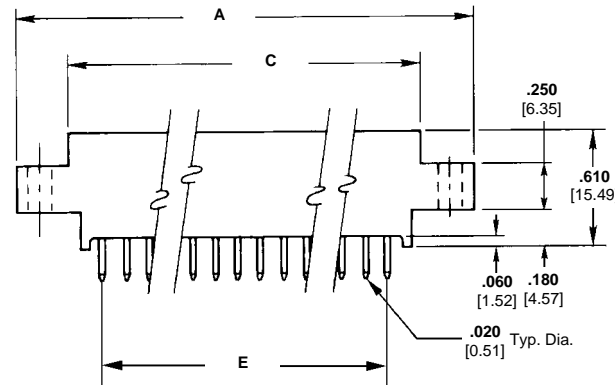
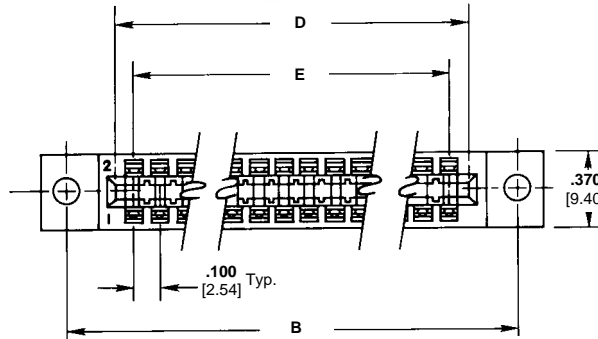
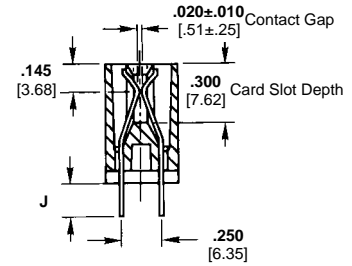
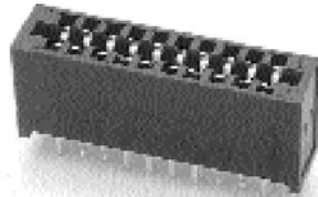
Operating Temperature—-55°C to +125°C

Temperature Cycling—MIL-STD-202 method 107

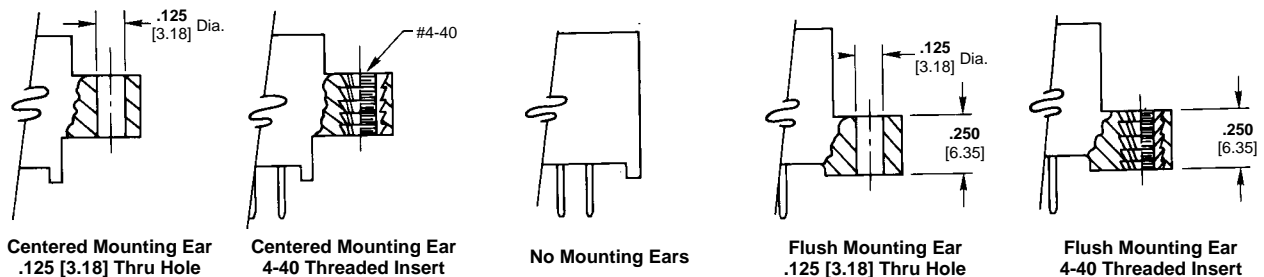
Vibration—MIL-STD-202 method 204

Related Product Data:

Daughter Card Edge Pattern—page 57



Mounting Styles



.125" [3.18] Centerline / .250" [6.35] Row-to-Row

| No. of Dual Readout Positions | Dimensions | | | | | Mounting Ear Options | | | | |
|---|-----------------|-----------------|-----------------|-----------------|-----------------|--|--|------------------|---|---|
| | A | B | C | D | E | Centered Mounting Ear .125" [3.18] Thru Hole | Centered Mounting Ear 4-40 Threaded insert | No Mounting Ears | Flush Mounting Ear .125" [3.18] Thru Hole | Flush Mounting Ear 4-40 Threaded insert |
| Tail Length .130 [3.30] (DIM. "J") | | | | | | | | | | |
| 6 | 1.555 39.50 | 1.295 32.89 | 1.035 26.29 | 0.875 22.23 | 0.625 15.88 | C7D06DS29A1 | C7D06DS29B1 | C7D06DS29C1 | C7D06DS29D1 | C7D06DS29E1 |
| 10 | 2.055 52.20 | 1.795 45.59 | 1.535 38.99 | 1.375 34.93 | 1.125 28.58 | C7D10DS29A1 | C7D10DS29B1 | C7D10DS29C1 | C7D10DS29D1 | C7D10DS29E1 |
| 15 | 2.680 68.07 | 2.420 61.47 | 2.160 54.86 | 2.000 50.80 | 1.750 44.45 | C7D15DS29A1 | C7D15DS29B1 | C7D15DS29C1 | C7D15DS29D1 | C7D15DS29E1 |
| 18 | 3.055 77.60 | 2.795 70.99 | 2.535 64.39 | 2.375 60.33 | 2.125 53.98 | C7D18DS29A1 | C7D18DS29B1 | C7D18DS29C1 | C7D18DS29D1 | C7D18DS29E1 |
| 22 | 3.555 90.30 | 3.295 83.69 | 3.035 77.09 | 2.875 73.03 | 2.625 66.68 | C7D22DS29A1 | C7D22DS29B1 | C7D22DS29C1 | C7D22DS29D1 | C7D22DS29E1 |
| 25 | 3.930 99.82 | 3.670 93.22 | 3.410 86.61 | 3.250 82.55 | 3.000 76.20 | C7D25DS29A1 | C7D25DS29B1 | C7D25DS29C1 | C7D25DS29D1 | C7D25DS29E1 |
| 28 | 4.305 109.35 | 4.045 102.74 | 3.785 96.14 | 3.625 92.08 | 3.375 85.73 | C7D28DS29A1 | C7D28DS29B1 | C7D28DS29C1 | C7D28DS29D1 | C7D28DS29E1 |
| 30 | 4.555 115.70 | 4.295 109.09 | 4.035 102.49 | 3.875 98.43 | 3.625 92.08 | C7D30DS29A1 | C7D30DS29B1 | C7D30DS29C1 | C7D30DS29D1 | C7D30DS29E1 |
| 31 | 4.680 118.87 | 4.420 112.27 | 4.160 105.66 | 4.000 101.60 | 3.750 95.25 | C7D31DS29A1 | C7D31DS29B1 | C7D31DS29C1 | C7D31DS29D1 | C7D31DS29E1 |
| 35 | 5.180 131.57 | 4.920 124.97 | 4.660 118.36 | 4.500 114.30 | 4.250 107.95 | C7D35DS29A1 | C7D35DS29B1 | C7D35DS29C1 | C7D35DS29D1 | C7D35DS29E1 |
| 36 | 5.305 134.75 | 5.045 128.14 | 4.785 121.54 | 4.625 117.48 | 4.375 111.13 | C7D36DS29A1 | C7D36DS29B1 | C7D36DS29C1 | C7D36DS29D1 | C7D36DS29E1 |
| 40 | 5.805 147.45 | 5.545 140.84 | 5.285 134.24 | 5.125 130.18 | 4.875 123.83 | C7D40DS29A1 | C7D40DS29B1 | C7D40DS29C1 | C7D40DS29D1 | C7D40DS29E1 |
| 43 | 6.180 156.97 | 5.920 150.37 | 5.660 143.76 | 5.500 139.70 | 5.250 133.35 | C7D43DS29A1 | C7D43DS29B1 | C7D43DS29C1 | C7D43DS29D1 | C7D43DS29E1 |
| 50 | 7.055 179.20 | 6.795 172.59 | 6.535 165.99 | 6.375 161.93 | 6.125 155.58 | C7D50DS29A1 | C7D50DS29B1 | C7D50DS29C1 | C7D50DS29D1 | C7D50DS29E1 |
| Tail Length .160 [4.06] (DIM. "J") | | | | | | | | | | |
| 6 | 1.555 39.50 | 1.295 32.89 | 1.035 26.29 | 0.875 22.23 | 0.625 15.88 | C7D06DS29A3 | C7D06DS29B3 | C7D06DS29C3 | C7D06DS29D3 | C7D06DS29E3 |
| 10 | 2.055 52.20 | 1.795 45.59 | 1.535 38.99 | 1.375 34.93 | 1.125 28.58 | C7D10DS29A3 | C7D10DS29B3 | C7D10DS29C3 | C7D10DS29D3 | C7D10DS29E3 |
| 15 | 2.680 68.07 | 2.420 61.47 | 2.160 54.86 | 2.000 50.80 | 1.750 44.45 | C7D15DS29A3 | C7D15DS29B3 | C7D15DS29C3 | C7D15DS29D3 | C7D15DS29E3 |
| 18 | 3.055 77.60 | 2.795 70.99 | 2.535 64.39 | 2.375 60.33 | 2.125 53.98 | C7D18DS29A3 | C7D18DS29B3 | C7D18DS29C3 | C7D18DS29D3 | C7D18DS29E3 |
| 22 | 3.555 90.30 | 3.295 83.69 | 3.035 77.09 | 2.875 73.03 | 2.625 66.68 | C7D22DS29A3 | C7D22DS29B3 | C7D22DS29C3 | C7D22DS29D3 | C7D22DS29E3 |
| 25 | 3.930 99.82 | 3.670 93.22 | 3.410 86.61 | 3.250 82.55 | 3.000 76.20 | C7D25DS29A3 | C7D25DS29B3 | C7D25DS29C3 | C7D25DS29D3 | C7D25DS29E3 |
| 28 | 4.305 109.35 | 4.045 102.74 | 3.785 96.14 | 3.625 92.08 | 3.375 85.73 | C7D28DS29A3 | C7D28DS29B3 | C7D28DS29C3 | C7D28DS29D3 | C7D28DS29E3 |
| 30 | 4.555 115.70 | 4.295 109.09 | 4.035 102.49 | 3.875 98.43 | 3.625 92.08 | C7D30DS29A3 | C7D30DS29B3 | C7D30DS29C3 | C7D30DS29D3 | C7D30DS29E3 |
| 31 | 4.680 118.87 | 4.420 112.27 | 4.160 105.66 | 4.000 101.60 | 3.750 95.25 | C7D31DS29A3 | C7D31DS29B3 | C7D31DS29C3 | C7D31DS29D3 | C7D31DS29E3 |
| 35 | 5.180 131.57 | 4.920 124.97 | 4.660 118.36 | 4.500 114.30 | 4.250 107.95 | C7D35DS29A3 | C7D35DS29B3 | C7D35DS29C3 | C7D35DS29D3 | C7D35DS29E3 |
| 36 | 5.305 134.75 | 5.045 128.14 | 4.785 121.54 | 4.625 117.48 | 4.375 111.13 | C7D36DS29A3 | C7D36DS29B3 | C7D36DS29C3 | C7D36DS29D3 | C7D36DS29E3 |
| 40 | 5.805 147.45 | 5.545 140.84 | 5.285 134.24 | 5.125 130.18 | 4.875 123.83 | C7D40DS29A3 | C7D40DS29B3 | C7D40DS29C3 | C7D40DS29D3 | C7D40DS29E3 |
| 43 | 6.180 156.97 | 5.920 150.37 | 5.660 143.76 | 5.500 139.70 | 5.250 133.35 | C7D43DS29A3 | C7D43DS29B3 | C7D43DS29C3 | C7D43DS29D3 | C7D43DS29E3 |
| 50 | 7.055 179.20 | 6.795 172.59 | 6.535 165.99 | 6.375 161.93 | 6.125 155.58 | C7D50DS29A3 | C7D50DS29B3 | C7D50DS29C3 | C7D50DS29D3 | C7D50DS29E3 |

Solder Type Board-to-Board Connectors

Ordering Information

.125" [3.18] Centerline / .250" [6.35] Row-to-Row

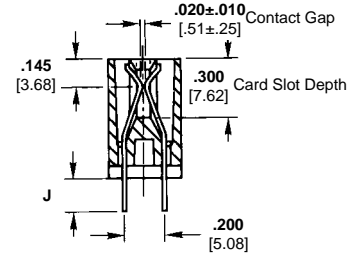
| No. of Dual Readout Positions | Dimensions | | | | | Mounting Ear Options | | | | |
|------------------------------------|-----------------|-----------------|-----------------|-----------------|-----------------|--|--|------------------|---|---|
| | A | B | C | D | E | Centered Mounting Ear .125" [3.18] Thru Hole | Centered Mounting Ear 4-40 Threaded insert | No Mounting Ears | Flush Mounting Ear .125" [3.18] Thru Hole | Flush Mounting Ear 4-40 Threaded insert |
| Tail Length .220 [5.59] (DIM. "J") | | | | | | | | | | |
| 6 | 1.555 39.50 | 1.295 32.89 | 1.035 26.29 | 0.875 22.23 | 0.625 15.88 | C7D06DS29A4 | C7D06DS29B4 | C7D06DS29C4 | C7D06DS29D4 | C7D06DS29E4 |
| 10 | 2.055 52.20 | 1.795 45.59 | 1.535 38.99 | 1.375 34.93 | 1.125 28.58 | C7D10DS29A4 | C7D10DS29B4 | C7D10DS29C4 | C7D10DS29D4 | C7D10DS29E4 |
| 15 | 2.680 68.07 | 2.420 61.47 | 2.160 54.86 | 2.000 50.80 | 1.750 44.45 | C7D15DS29A4 | C7D15DS29B4 | C7D15DS29C4 | C7D15DS29D4 | C7D15DS29E4 |
| 18 | 3.055 77.60 | 2.795 70.99 | 2.535 64.39 | 2.375 60.33 | 2.125 53.98 | C7D18DS29A4 | C7D18DS29B4 | C7D18DS29C4 | C7D18DS29D4 | C7D18DS29E4 |
| 22 | 3.555 90.30 | 3.295 83.69 | 3.035 77.09 | 2.875 73.03 | 2.625 66.68 | C7D22DS29A4 | C7D22DS29B4 | C7D22DS29C4 | C7D22DS29D4 | C7D22DS29E4 |
| 25 | 3.930 99.82 | 3.670 93.22 | 3.410 86.61 | 3.250 82.55 | 3.000 76.20 | C7D25DS29A4 | C7D25DS29B4 | C7D25DS29C4 | C7D25DS29D4 | C7D25DS29E4 |
| 28 | 4.305 109.35 | 4.045 102.74 | 3.785 96.14 | 3.625 92.08 | 3.375 85.73 | C7D28DS29A4 | C7D28DS29B4 | C7D28DS29C4 | C7D28DS29D4 | C7D28DS29E4 |
| 30 | 4.555 115.70 | 4.295 109.09 | 4.035 102.49 | 3.875 98.43 | 3.625 92.08 | C7D30DS29A4 | C7D30DS29B4 | C7D30DS29C4 | C7D30DS29D4 | C7D30DS29E4 |
| 31 | 4.680 118.87 | 4.420 112.27 | 4.160 105.66 | 4.000 101.60 | 3.750 95.25 | C7D31DS29A4 | C7D31DS29B4 | C7D31DS29C4 | C7D31DS29D4 | C7D31DS29E4 |
| 35 | 5.180 131.57 | 4.920 124.97 | 4.660 118.36 | 4.500 114.30 | 4.250 107.95 | C7D35DS29A4 | C7D35DS29B4 | C7D35DS29C4 | C7D35DS29D4 | C7D35DS29E4 |
| 36 | 5.305 134.75 | 5.045 128.14 | 4.785 121.54 | 4.625 117.48 | 4.375 111.13 | C7D36DS29A4 | C7D36DS29B4 | C7D36DS29C4 | C7D36DS29D4 | C7D36DS29E4 |
| 40 | 5.805 147.45 | 5.545 140.84 | 5.285 134.24 | 5.125 130.18 | 4.875 123.83 | C7D40DS29A4 | C7D40DS29B4 | C7D40DS29C4 | C7D40DS29D4 | C7D40DS29E4 |
| 43 | 6.180 156.97 | 5.920 150.37 | 5.660 143.76 | 5.500 139.70 | 5.250 133.35 | C7D43DS29A4 | C7D43DS29B4 | C7D43DS29C4 | C7D43DS29D4 | C7D43DS29E4 |
| 50 | 7.055 179.20 | 6.795 172.59 | 6.535 166.99 | 6.375 161.93 | 6.125 155.58 | C7D50DS29A4 | C7D50DS29B4 | C7D50DS29C4 | C7D50DS29D4 | C7D50DS29E4 |

Solder Type Board-to-Board Connectors

Cantilever Series .156 x .200 [3.96 x 5.08] Centerline, Dip Solder Tails, .300 [7.62] Card Slot Depth

Product Facts

- Recognized under the Component Program of Underwriters Laboratories Inc., File No. E60980 
- Certified by Canadian Standards Association, File No. LR49571 



Physical Properties:

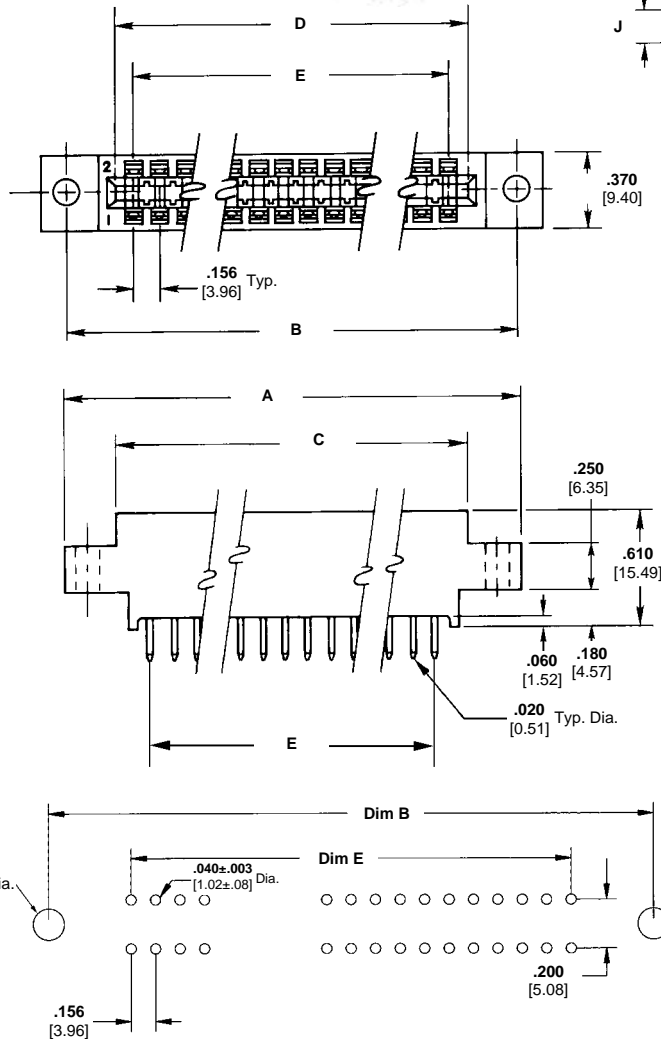
Insulation Resistance—5000 megohms minimum.
Insertion/Withdrawal Force (Daughter Card)—8 oz./2 oz. [35.6 N/ 8.9 N] average contact pair using .0620 [1.57] steel blade.
Insulator Body—Glass filled thermoplastic, UL rating 94V-0. High temp. plastic option is available; add suffix M399 to part number.

Color—Black
Contacts—High strength copper alloy.
Contact Plating—.000050 [0.00127] nickel underplate with .000030 [0.00076] gold in the mating area, tin/lead on tails, .000100 [0.00254] minimum

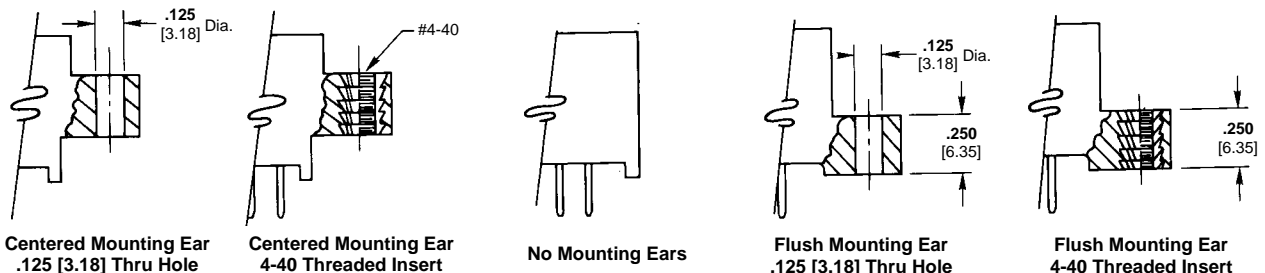
Electrical Properties:
Operation Voltage—1500 VDC (sea level)
Current Rating—3 Amperes
Initial Contact Resistance—10 milliohms

Environmental Properties:
Operating Temperature—-55°C to +125°C
Temperature Cycling—MIL-STD-202 method 107
Vibration—MIL-STD-202 method 204

Related Product Data:
Daughter Card Edge Pattern—page 57



Mounting Styles



Ordering Information

.156" [3.96] Centerline / .200" [5.08] Row-to-Row

| No. of Dual Readout Positions | Dimensions | | | | | Mounting Ear Options | | | | |
|---|-----------------|-----------------|-----------------|-----------------|-----------------|--|--|------------------|---|---|
| | A | B | C | D | E | Centered Mounting Ear .125" [3.18] Thru Hole | Centered Mounting Ear 4-40 Threaded insert | No Mounting Ears | Flush Mounting Ear .125" [3.18] Thru Hole | Flush Mounting Ear 4-40 Threaded insert |
| Tail Length .130 [3.30] (DIM. "J") | | | | | | | | | | |
| 6 | 1.784 45.31 | 1.534 38.96 | 1.221 31.01 | 1.100 27.94 | 0.780 19.81 | C6D06DS29A1 | C6D06DS29B1 | C6D06DS29C1 | C6D06DS29D1 | C6D06DS29E1 |
| 10 | 2.408 61.16 | 2.158 54.81 | 1.845 46.86 | 1.724 43.79 | 1.404 35.66 | C6D10DS29A1 | C6D10DS29B1 | C6D10DS29C1 | C6D10DS29D1 | C6D10DS29E1 |
| 12 | 2.720 69.09 | 2.470 62.74 | 2.157 54.79 | 2.036 51.71 | 1.716 43.59 | C6D12DS29A1 | C6D12DS29B1 | C6D12DS29C1 | C6D12DS29D1 | C6D12DS29E1 |
| 15 | 3.188 80.98 | 2.938 74.63 | 2.625 66.68 | 2.504 63.60 | 2.184 55.47 | C6D15DS29A1 | C6D15DS29B1 | C6D15DS29C1 | C6D15DS29D1 | C6D15DS29E1 |
| 18 | 3.656 92.86 | 3.406 86.51 | 3.093 78.56 | 2.972 75.49 | 2.652 67.36 | C6D18DS29A1 | C6D18DS29B1 | C6D18DS29C1 | C6D18DS29D1 | C6D18DS29E1 |
| 20 | 3.968 100.79 | 3.718 94.44 | 3.405 86.49 | 3.284 83.41 | 2.964 75.29 | C6D20DS29A1 | C6D20DS29B1 | C6D20DS29C1 | C6D20DS29D1 | C6D20DS29E1 |
| 22 | 4.280 108.71 | 4.030 102.36 | 3.717 94.41 | 3.595 91.31 | 3.276 83.21 | C6D22DS29A1 | C6D22DS29B1 | C6D22DS29C1 | C6D22DS29D1 | C6D22DS29E1 |
| 25 | 4.748 120.60 | 4.498 114.25 | 4.185 106.30 | 4.064 103.23 | 3.744 95.10 | C6D25DS29A1 | C6D25DS29B1 | C6D25DS29C1 | C6D25DS29D1 | C6D25DS29E1 |
| 28 | 5.216 132.49 | 4.966 126.14 | 4.653 118.19 | 4.532 115.11 | 4.212 106.98 | C6D28DS29A1 | C6D28DS29B1 | C6D28DS29C1 | C6D28DS29D1 | C6D28DS29E1 |
| 30 | 5.528 140.41 | 5.278 134.06 | 4.965 126.11 | 4.844 123.04 | 4.524 114.91 | C6D30DS29A1 | C6D30DS29B1 | C6D30DS29C1 | C6D30DS29D1 | C6D30DS29E1 |
| 31 | 5.684 144.37 | 5.434 138.02 | 5.121 130.07 | 5.000 127.00 | 4.680 118.87 | C6D31DS29A1 | C6D31DS29B1 | C6D31DS29C1 | C6D31DS29D1 | C6D31DS29E1 |
| 35 | 6.308 160.22 | 6.058 153.87 | 5.745 145.92 | 5.624 142.85 | 5.304 134.72 | C6D35DS29A1 | C6D35DS29B1 | C6D35DS29C1 | C6D35DS29D1 | C6D35DS29E1 |
| 36 | 6.464 164.19 | 6.214 157.84 | 5.901 149.89 | 5.780 146.81 | 5.460 138.68 | C6D36DS29A1 | C6D36DS29B1 | C6D36DS29C1 | C6D36DS29D1 | C6D36DS29E1 |
| 40 | 7.088 180.04 | 6.838 173.69 | 6.525 165.74 | 6.404 162.66 | 6.085 154.56 | C6D40DS29A1 | C6D40DS29B1 | C6D40DS29C1 | C6D40DS29D1 | C6D40DS29E1 |
| 43 | 7.556 191.92 | 7.306 185.57 | 6.993 177.62 | 6.872 174.55 | 6.552 166.42 | C6D43DS29A1 | C6D43DS29B1 | C6D43DS29C1 | C6D43DS29D1 | C6D43DS29E1 |
| 50 | 8.648 219.66 | 8.398 213.31 | 8.085 205.36 | 7.964 202.29 | 7.644 194.16 | C6D50DS29A1 | C6D50DS29B1 | C6D50DS29C1 | C6D50DS29D1 | C6D50DS29E1 |
| Tail Length .160 [4.06] (DIM. "J") | | | | | | | | | | |
| 6 | 1.784 45.31 | 1.534 38.96 | 1.221 31.01 | 1.100 27.94 | 0.780 19.81 | C6D06DS29A3 | C6D06DS29B3 | C6D06DS29C3 | C6D06DS29D3 | C6D06DS29E3 |
| 10 | 2.408 61.16 | 2.158 54.81 | 1.845 46.86 | 1.724 43.79 | 1.404 35.66 | C6D10DS29A3 | C6D10DS29B3 | C6D10DS29C3 | C6D10DS29D3 | C6D10DS29E3 |
| 12 | 2.720 69.09 | 2.470 62.74 | 2.157 54.79 | 2.036 51.71 | 1.716 43.59 | C6D12DS29A3 | C6D12DS29B3 | C6D12DS29C3 | C6D12DS29D3 | C6D12DS29E3 |
| 15 | 3.188 80.98 | 2.938 74.63 | 2.625 66.68 | 2.504 63.60 | 2.184 55.47 | C6D15DS29A3 | C6D15DS29B3 | C6D15DS29C3 | C6D15DS29D3 | C6D15DS29E3 |
| 18 | 3.656 92.86 | 3.406 86.51 | 3.093 78.56 | 2.972 75.49 | 2.652 67.36 | C6D18DS29A3 | C6D18DS29B3 | C6D18DS29C3 | C6D18DS29D3 | C6D18DS29E3 |
| 20 | 3.968 100.79 | 3.718 94.44 | 3.405 86.49 | 3.284 83.41 | 2.964 75.29 | C6D20DS29A3 | C6D20DS29B3 | C6D20DS29C3 | C6D20DS29D3 | C6D20DS29E3 |
| 22 | 4.280 108.71 | 4.030 102.36 | 3.717 94.41 | 3.595 91.31 | 3.276 83.21 | C6D22DS29A3 | C6D22DS29B3 | C6D22DS29C3 | C6D22DS29D3 | C6D22DS29E3 |
| 25 | 4.748 120.60 | 4.498 114.25 | 4.185 106.30 | 4.064 103.23 | 3.744 95.10 | C6D25DS29A3 | C6D25DS29B3 | C6D25DS29C3 | C6D25DS29D3 | C6D25DS29E3 |
| 28 | 5.216 132.49 | 4.966 126.14 | 4.653 118.19 | 4.532 115.11 | 4.212 106.98 | C6D28DS29A3 | C6D28DS29B3 | C6D28DS29C3 | C6D28DS29D3 | C6D28DS29E3 |
| 30 | 5.528 140.41 | 5.278 134.06 | 4.965 126.11 | 4.844 123.04 | 4.524 114.91 | C6D30DS29A3 | C6D30DS29B3 | C6D30DS29C3 | C6D30DS29D3 | C6D30DS29E3 |
| 31 | 5.684 144.37 | 5.434 138.02 | 5.121 130.07 | 5.000 127.00 | 4.680 118.87 | C6D31DS29A3 | C6D31DS29B3 | C6D31DS29C3 | C6D31DS29D3 | C6D31DS29E3 |
| 35 | 6.308 160.22 | 6.058 153.87 | 5.745 145.92 | 5.624 142.85 | 5.304 134.72 | C6D35DS29A3 | C6D35DS29B3 | C6D35DS29C3 | C6D35DS29D3 | C6D35DS29E3 |
| 36 | 6.464 164.19 | 6.214 157.84 | 5.901 149.89 | 5.780 146.81 | 5.460 138.68 | C6D36DS29A3 | C6D36DS29B3 | C6D36DS29C3 | C6D36DS29D3 | C6D36DS29E3 |
| 40 | 7.088 180.04 | 6.838 173.69 | 6.525 165.74 | 6.404 162.66 | 6.085 154.56 | C6D40DS29A3 | C6D40DS29B3 | C6D40DS29C3 | C6D40DS29D3 | C6D40DS29E3 |
| 43 | 7.556 191.92 | 7.306 185.57 | 6.993 177.62 | 6.872 174.55 | 6.552 166.42 | C6D43DS29A3 | C6D43DS29B3 | C6D43DS29C3 | C6D43DS29D3 | C6D43DS29E3 |
| 50 | 8.648 219.66 | 8.398 213.31 | 8.085 205.36 | 7.964 202.29 | 7.644 194.16 | C6D50DS29A3 | C6D50DS29B3 | C6D50DS29C3 | C6D50DS29D3 | C6D50DS29E3 |

Solder Type Board-to-Board Connectors

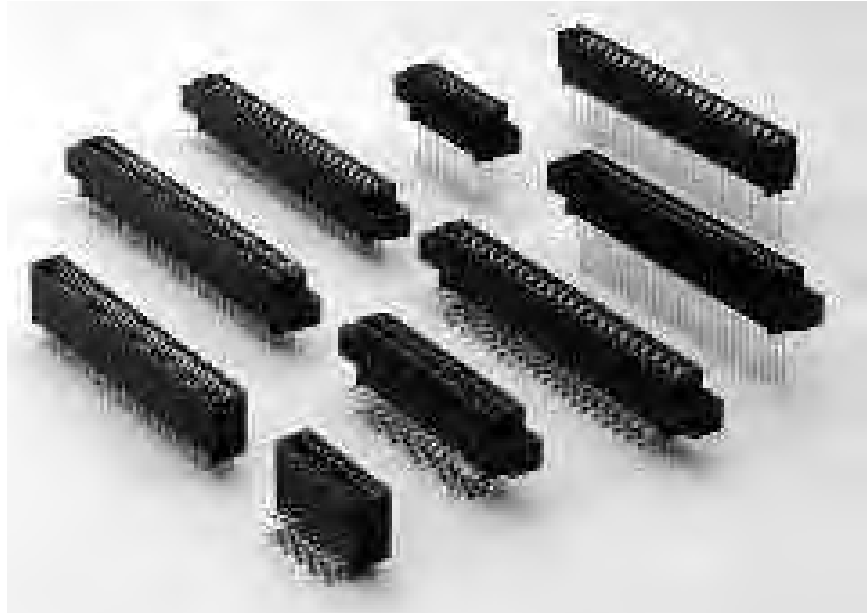
.156" [3.96] Centerline / .200" [5.08] Row-to-Row

| No. of Dual Readout Positions | Dimensions | | | | | Mounting Ear Options | | | | |
|-------------------------------------|-----------------|-----------------|-----------------|-----------------|-----------------|---|--|------------------|---|---|
| | A | B | C | D | E | Centered Mounting Ear .125" [3.18] ThruHole | Centered Mounting Ear 4-40 Threaded insert | No Mounting Ears | Flush Mounting Ear .125" [3.18] Thru Hole | Flush Mounting Ear 4-40 Threaded insert |
| Tail Length .220" [5.59] (DIM. "J") | | | | | | | | | | |
| 6 | 1.784 45.31 | 1.534 38.96 | 1.221 31.01 | 1.100 27.94 | 0.780 19.81 | C6D06DS29A4 | C6D06DS29B4 | C6D06DS29C4 | C6D06DS29D4 | C6D06DS29E4 |
| 10 | 2.408 61.16 | 2.158 54.81 | 1.845 46.86 | 1.724 43.79 | 1.404 35.66 | C6D10DS29A4 | C6D10DS29B4 | C6D10DS29C4 | C6D10DS29D4 | C6D10DS29E4 |
| 12 | 2.720 69.09 | 2.470 62.74 | 2.157 54.79 | 2.036 51.71 | 1.716 43.59 | C6D12DS29A4 | C6D12DS29B4 | C6D12DS29C4 | C6D12DS29D4 | C6D12DS29E4 |
| 15 | 3.188 80.98 | 2.938 74.63 | 2.625 66.68 | 2.504 63.60 | 2.184 55.47 | C6D15DS29A4 | C6D15DS29B4 | C6D15DS29C4 | C6D15DS29D4 | C6D15DS29E4 |
| 18 | 3.656 92.86 | 3.406 86.51 | 3.093 78.56 | 2.972 75.49 | 2.652 67.36 | C6D18DS29A4 | C6D18DS29B4 | C6D18DS29C4 | C6D18DS29D4 | C6D18DS29E4 |
| 20 | 3.968 100.79 | 3.718 94.44 | 3.405 86.49 | 3.284 83.41 | 2.964 75.29 | C6D20DS29A4 | C6D20DS29B4 | C6D20DS29C4 | C6D20DS29D4 | C6D20DS29E4 |
| 22 | 4.280 108.71 | 4.030 102.36 | 3.717 94.41 | 3.595 91.31 | 3.276 83.21 | C6D22DS29A4 | C6D22DS29B4 | C6D22DS29C4 | C6D22DS29D4 | C6D22DS29E4 |
| 25 | 4.748 120.60 | 4.498 114.25 | 4.185 106.30 | 4.064 103.23 | 3.744 95.10 | C6D25DS29A4 | C6D25DS29B4 | C6D25DS29C4 | C6D25DS29D4 | C6D25DS29E4 |
| 28 | 5.216 132.49 | 4.966 126.14 | 4.653 118.19 | 4.532 115.11 | 4.212 106.98 | C6D28DS29A4 | C6D28DS29B4 | C6D28DS29C4 | C6D28DS29D4 | C6D28DS29E4 |
| 30 | 5.528 140.41 | 5.278 134.06 | 4.965 126.11 | 4.844 123.04 | 4.524 114.91 | C6D30DS29A4 | C6D30DS29B4 | C6D30DS29C4 | C6D30DS29D4 | C6D30DS29E4 |
| 31 | 5.684 144.37 | 5.434 138.02 | 5.121 130.07 | 5.000 127.00 | 4.680 118.87 | C6D31DS29A4 | C6D31DS29B4 | C6D31DS29C4 | C6D31DS29D4 | C6D31DS29E4 |
| 35 | 6.308 160.22 | 6.058 153.87 | 5.745 145.92 | 5.624 142.85 | 5.304 134.72 | C6D35DS29A4 | C6D35DS29B4 | C6D35DS29C4 | C6D35DS29D4 | C6D35DS29E4 |
| 36 | 6.464 164.19 | 6.214 157.84 | 5.901 149.89 | 5.780 146.81 | 5.460 138.68 | C6D36DS29A4 | C6D36DS29B4 | C6D36DS29C4 | C6D36DS29D4 | C6D36DS29E4 |
| 40 | 7.088 180.04 | 6.838 173.69 | 6.525 165.74 | 6.404 162.66 | 6.085 154.56 | C6D40DS29A4 | C6D40DS29B4 | C6D40DS29C4 | C6D40DS29D4 | C6D40DS29E4 |
| 43 | 7.556 191.92 | 7.306 185.57 | 6.993 177.62 | 6.872 174.55 | 6.552 166.42 | C6D43DS29A4 | C6D43DS29B4 | C6D43DS29C4 | C6D43DS29D4 | C6D43DS29E4 |
| 50 | 8.648 219.66 | 8.398 213.31 | 8.085 205.36 | 7.964 202.29 | 7.644 194.16 | C6D50DS29A4 | C6D50DS29B4 | C6D50DS29C4 | C6D50DS29D4 | C6D50DS29E4 |

Solder Type Board-to-Board Connectors

Modified Bellows Card Edge Connectors**Product Facts**

- Sizes from 6 to 65 dual positions.
- Contact mating surface optimizes reliability by concentrating the normal force in the actual contact area.
- Mounting ear options accommodate both Panel and PC Board attachment.
- Solder stand-offs facilitate cleaning.
- Bifurcated contact design provides redundant points of contact to maximize reliability.
- Tail lengths available to accommodate .062" [1.57] through .125" [3.18] thick PCB Boards and Wire Wrap termination.
- Straight or Right Angle contact configurations.



Bifurcated contact design provides maximum reliability

Description/Application

The modified bellows card edge connectors are dual readout and are designed for reliable termination to double sided PCB boards.

Modified Bellows

The modified bellows card edge connector offers a variety of tail lengths for solder and wire wrap applications. Contacts are available in straight tail or right angle configurations to meet your individual purpose. The modified bellows line of connectors offers a variety of card slot depths and has optional high temperature plastic insulators.

Modified Bellows Connectors .100 x .200 [2.54 x 5.08], Straight Dip Solder And Wire Wrap Tails

Product Facts

- Recognized under the Component Program of Underwriters Laboratories Inc., File No. E60980 
- Certified by Canadian Standards Association, File No. LR49571 

Physical Properties:

Insulation Resistance—5000 megohms minimum.

Insertion/Withdrawal Force (Daughter Card)—8 oz./2 oz. [35.6 N/ 8.9 N] average contact pair using .0620 [1.57] steel blade.

Insulator Body—Glass filled thermoplastic, UL rating 94V-0. High temp. plastic option is available; add suffix M399 to part number.

Color—Black

Contacts—High strength copper alloy.

Contact Plating—.000050 [0.00127] nickel underplate with .000030 [0.00076] gold in the mating area, tin/lead on tails, .000100 [0.00254] minimum

Electrical Properties:

Operation Voltage—600 VDC (sea level)

Current Rating—3 Amperes

Initial Contact Resistance—10 milliohms

Environmental Properties:

Operating Temperature—-55°C to +125°C

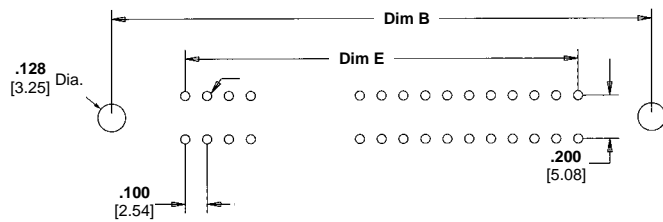
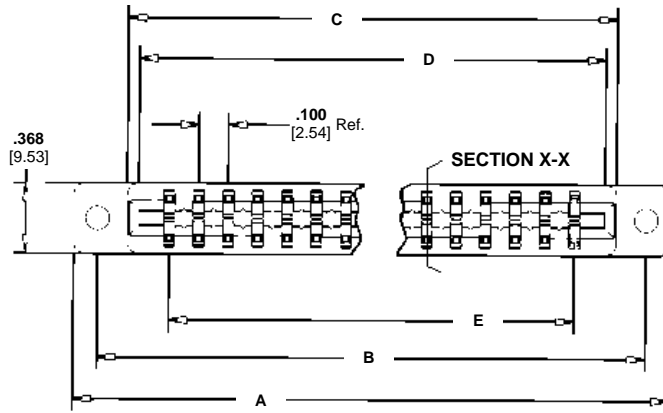
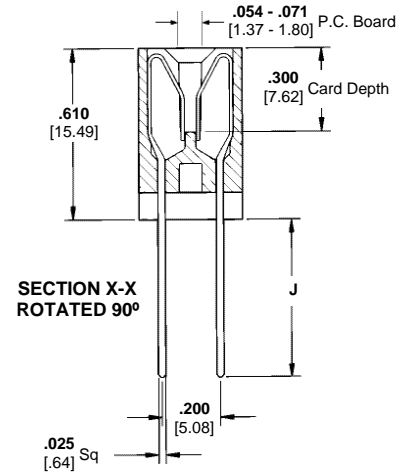
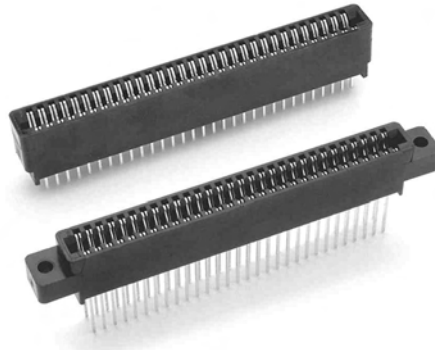
Temperature Cycling—MIL-STD-202 method 107

Vibration—MIL-STD-202 method 204

Related Product Data:

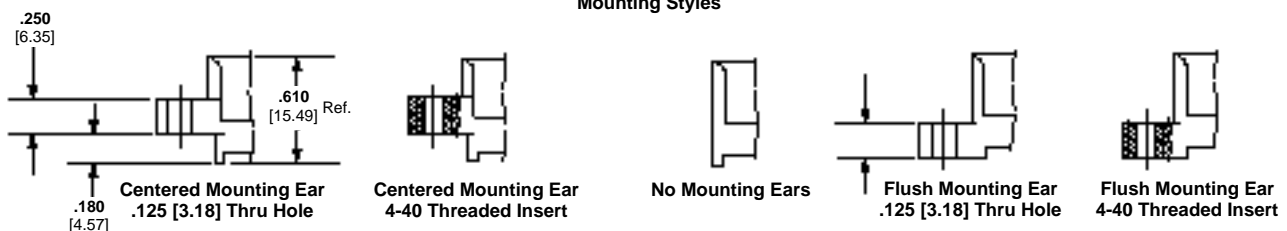
Polarization Key—page 57

Daughter Card Edge Pattern—page 57



P=.040 [1.02] Dip Solder Applications
P=.042 [1.07] For Wire Wrap Applications

Mounting Styles



Solder Type Board-to-Board Connectors

Ordering Information

.100" [2.54] Centerline / .200" [5.08] Row-to-Row

| No. of Dual Readout Positions | Dimensions | | | | | Mounting Ear Options | | | | |
|---|-----------------|-----------------|-----------------|-----------------|-----------------|--|--|------------------|---|---|
| | A | B | C | D | E | Centered Mounting Ear .125" [3.18] Thru Hole | Centered Mounting Ear 4-40 Threaded insert | No Mounting Ears | Flush Mounting Ear .125" [3.18] Thru Hole | Flush Mounting Ear 4-40 Threaded insert |
| Tail Length .160" [4.06] (DIM "J") | | | | | | | | | | |
| 10 | 1.835 46.61 | 1.575 40.01 | 1.260 32.00 | 1.100 27.94 | 0.900 22.86 | A8D10DS29A2 | A8D10DS29B2 | A8D10DS29C2 | A8D10DS29D2 | A8D10DS29E2 |
| 12 | 2.035 51.69 | 1.775 45.09 | 1.460 37.08 | 1.300 33.02 | 1.100 27.94 | A8D12DS29A2 | A8D12DS29B2 | A8D12DS29C2 | - | - |
| 15 | 2.335 59.31 | 2.075 52.71 | 1.760 44.70 | 1.600 40.64 | 1.400 35.56 | A8D15DS29A2 | A8D15DS29B2 | A8D15DS29C2 | A8D15DS29D2 | A8D15DS29E2 |
| 18 | 2.635 66.93 | 2.375 60.33 | 2.060 52.32 | 1.900 48.26 | 1.700 43.18 | A8D18DS29A2 | A8D18DS29B2 | A8D18DS29C2 | A8D18DS29D2 | A8D18DS29E2 |
| 20 | 2.835 72.01 | 2.575 65.41 | 2.260 57.40 | 2.100 53.34 | 1.900 48.26 | A8D20DS29A2 | A8D20DS29B2 | A8D20DS29C2 | - | - |
| 22 | 3.035 77.09 | 2.775 70.49 | 2.460 62.48 | 2.300 58.42 | 2.100 53.34 | A8D22DS29A2 | A8D22DS29B2 | A8D22DS29C2 | - | - |
| 25 | 3.335 84.71 | 3.075 78.11 | 2.760 70.10 | 2.600 66.04 | 2.400 60.96 | A8D25DS29A2 | A8D25DS29B2 | A8D25DS29C2 | A8D25DS29D2 | A8D25DS29E2 |
| 28 | 3.635 92.33 | 3.375 85.73 | 3.060 77.72 | 2.900 73.66 | 2.700 68.58 | A8D28DS29A2 | A8D28DS29B2 | A8D28DS29C2 | - | - |
| 30 | 3.835 97.41 | 3.575 90.81 | 3.260 82.80 | 3.100 78.74 | 2.900 73.66 | A8D30DS29A2 | A8D30DS29B2 | A8D30DS29C2 | A8D30DS29D2 | A8D30DS29E2 |
| 31 | 3.935 99.95 | 3.675 93.35 | 3.360 85.34 | 3.200 81.28 | 3.100 78.74 | A8D31DS29A2 | A8D31DS29B2 | A8D31DS29C2 | A8D31DS29D2 | A8D31DS29E2 |
| 35 | 4.335 110.11 | 4.075 103.51 | 3.760 95.50 | 3.600 91.44 | 3.400 86.36 | A8D35DS29A2 | A8D35DS29B2 | A8D35DS29C2 | - | - |
| 36 | 4.435 112.65 | 4.175 106.05 | 3.860 98.04 | 3.700 93.98 | 3.500 88.90 | A8D36DS29A2 | A8D36DS29B2 | A8D36DS29C2 | - | - |
| 40 | 4.835 122.81 | 4.575 116.21 | 4.260 108.20 | 4.100 104.14 | 3.900 99.06 | A8D40DS29A2 | A8D40DS29B2 | A8D40DS29C2 | - | - |
| 43 | 5.135 130.43 | 4.875 123.83 | 4.560 115.82 | 4.400 111.76 | 4.200 106.68 | A8D43DS29A2 | A8D43DS29B2 | A8D43DS29C2 | - | - |
| 44 | 5.235 132.97 | 4.975 126.37 | 4.660 118.36 | 4.500 114.30 | 4.300 109.22 | A8D44DS29A2 | A8D44DS29B2 | A8D44DS29C2 | - | - |
| 50 | 5.835 148.21 | 5.575 141.61 | 5.260 133.60 | 5.100 129.54 | 4.800 121.92 | A8D50DS29A2 | A8D50DS29B2 | A8D50DS29C2 | A8D50DS29D2 | A8D50DS29E2 |
| 60 | 6.835 173.61 | 6.575 167.01 | 6.260 159.00 | 6.100 154.94 | 5.900 149.86 | A8D60DS29A2 | A8D60DS29B2 | A8D60DS29C2 | - | - |
| 65 | 7.335 186.31 | 7.075 179.71 | 6.760 171.70 | 6.600 167.64 | 6.400 162.56 | A8D65DS29A2 | A8D65DS29B2 | A8D65DS29C2 | A8D65DS29D2 | A8D65DS29E2 |
| Tail Length .220" [5.59] (DIM "J") | | | | | | | | | | |
| 10 | 1.835 46.61 | 1.575 40.01 | 1.260 32.00 | 1.100 27.94 | 0.900 22.86 | A8D10DS29A3 | A8D10DS29B3 | A8D10DS29C3 | A8D10DS29D3 | A8D10DS29E3 |
| 12 | 2.035 51.69 | 1.775 45.09 | 1.460 37.08 | 1.300 33.02 | 1.100 27.94 | A8D12DS29A3 | A8D12DS29B3 | A8D12DS29C3 | - | - |
| 15 | 2.335 59.31 | 2.075 52.71 | 1.760 44.70 | 1.600 40.64 | 1.400 35.56 | A8D15DS29A3 | A8D15DS29B3 | A8D15DS29C3 | A8D15DS29D3 | A8D15DS29E3 |
| 18 | 2.635 66.93 | 2.375 60.33 | 2.060 52.32 | 1.900 48.26 | 1.700 43.18 | A8D18DS29A3 | A8D18DS29B3 | A8D18DS29C3 | A8D18DS29D3 | A8D18DS29E3 |
| 20 | 2.835 72.01 | 2.575 65.41 | 2.260 57.40 | 2.100 53.34 | 1.900 48.26 | A8D20DS29A3 | A8D20DS29B3 | A8D20DS29C3 | - | - |
| 22 | 3.035 77.09 | 2.775 70.49 | 2.460 62.48 | 2.300 58.42 | 2.100 53.34 | A8D22DS29A3 | A8D22DS29B3 | A8D22DS29C3 | - | - |
| 25 | 3.335 84.71 | 3.075 78.11 | 2.760 70.10 | 2.600 66.04 | 2.400 60.96 | A8D25DS29A3 | A8D25DS29B3 | A8D25DS29C3 | A8D35DS29D3 | A8D35DS29E3 |
| 28 | 3.635 92.33 | 3.375 85.73 | 3.060 77.72 | 2.900 73.66 | 2.700 68.58 | A8D28DS29A3 | A8D28DS29B3 | A8D28DS29C3 | - | - |
| 30 | 3.835 97.41 | 3.575 90.81 | 3.260 82.80 | 3.100 78.74 | 2.900 73.66 | A8D30DS29A3 | A8D30DS29B3 | A8D30DS29C3 | A8D30DS29D3 | A8D30DS29E3 |
| 31 | 3.935 99.95 | 3.675 93.35 | 3.360 85.34 | 3.200 81.28 | 3.100 78.74 | A8D31DS29A3 | A8D31DS29B3 | A8D31DS29C3 | A8D31DS29D3 | A8D31DS29E3 |
| 35 | 4.335 110.11 | 4.075 103.51 | 3.760 95.50 | 3.600 91.44 | 3.400 86.36 | A8D35DS29A3 | A8D35DS29B3 | A8D35DS29C3 | - | - |
| 36 | 4.435 112.65 | 4.175 106.05 | 3.860 98.04 | 3.700 93.98 | 3.500 88.90 | A8D36DS29A3 | A8D36DS29B3 | A8D36DS29C3 | - | - |
| 40 | 4.835 122.81 | 4.575 116.21 | 4.260 108.20 | 4.100 104.14 | 3.900 99.06 | A8D40DS29A3 | A8D40DS29B3 | A8D40DS29C3 | - | - |
| 43 | 5.135 130.43 | 4.875 123.83 | 4.560 115.82 | 4.400 111.76 | 4.200 106.68 | A8D43DS29A3 | A8D43DS29B3 | A8D43DS29C3 | - | - |

.100" [2.54] Centerline / .200" [5.08] Row-to-Row

| No. of Dual Readout Positions | Dimensions | | | | | Mounting Ear Options | | | | |
|--|-----------------|-----------------|-----------------|-----------------|-----------------|--|--|------------------|---|---|
| | A | B | C | D | E | Centered Mounting Ear .125" [3.18] Thru Hole | Centered Mounting Ear 4-40 Threaded insert | No Mounting Ears | Flush Mounting Ear .125" [3.18] Thru Hole | Flush Mounting Ear 4-40 Threaded insert |
| Tail Length .220" [5.59] (DIM "J") (Continued) | | | | | | | | | | |
| 44 | 5.235 132.97 | 4.975 126.37 | 4.660 118.36 | 4.500 114.30 | 4.300 109.22 | A8D44DS29A3 | A8D44DS29B3 | A8D44DS29C3 | - | - |
| 50 | 5.835 148.21 | 5.575 141.61 | 5.260 133.60 | 5.100 129.54 | 4.800 121.92 | A8D50DS29A3 | A8D50DS29B3 | A8D50DS29C3 | A8D50DS29D3 | A8D50DS29E3 |
| 60 | 6.835 173.61 | 6.575 167.01 | 6.260 159.00 | 6.100 154.94 | 5.900 149.86 | A8D60DS29A3 | A8D60DS29B3 | A8D60DS29C3 | - | - |
| 65 | 7.335 186.31 | 7.075 179.71 | 6.760 171.70 | 6.600 167.64 | 6.400 162.56 | A8D65DS29A3 | A8D65DS29B3 | A8D65DS29C3 | A8D65DS29D3 | A8D65DS29E3 |
| Tail Length .560" [14.22] (DIM "J") for Wire Wrap Termination | | | | | | | | | | |
| 10 | 1.835 46.61 | 1.575 40.01 | 1.260 32.00 | 1.100 27.94 | 0.900 22.86 | A8D10WW29A3 | A8D10WW29B3 | - | - | - |
| 12 | 2.035 51.69 | 1.775 45.09 | 1.460 37.08 | 1.300 33.02 | 1.100 27.94 | A8D12WW29A3 | A8D12WW29B3 | - | - | - |
| 15 | 2.335 59.31 | 2.075 52.71 | 1.760 44.70 | 1.600 40.64 | 1.400 35.56 | A8D15WW29A3 | A8D15WW29B3 | - | - | - |
| 18 | 2.635 66.93 | 2.375 60.33 | 2.060 52.32 | 1.900 48.26 | 1.700 43.18 | A8D18WW29A3 | A8D18WW29B3 | - | - | - |
| 20 | 2.835 72.01 | 2.575 65.41 | 2.260 57.40 | 2.100 53.34 | 1.900 48.26 | A8D20WW29A3 | A8D20WW29B3 | - | - | - |
| 22 | 3.035 77.09 | 2.775 70.49 | 2.460 62.48 | 2.300 58.42 | 2.100 53.34 | A8D22WW29A3 | A8D22WW29B3 | - | - | - |
| 25 | 3.335 84.71 | 3.075 78.11 | 2.760 70.10 | 2.600 66.04 | 2.400 60.96 | A8D25WW29A3 | A8D25WW29B3 | - | - | - |
| 28 | 3.635 92.33 | 3.375 85.73 | 3.060 77.72 | 2.900 73.66 | 2.700 68.58 | A8D28WW29A3 | A8D28WW29B3 | - | - | - |
| 30 | 3.835 97.41 | 3.575 90.81 | 3.260 82.80 | 3.100 78.74 | 2.900 73.66 | A8D30WW29A3 | A8D30WW29B3 | - | - | - |
| 31 | 3.935 99.95 | 3.675 93.35 | 3.360 85.34 | 3.200 81.28 | 3.100 78.74 | A8D31WW29A3 | A8D31WW29B3 | - | - | - |
| 35 | 4.335 110.11 | 4.075 103.51 | 3.760 95.50 | 3.600 91.44 | 3.400 86.36 | A8D35WW29A3 | A8D35WW29B3 | - | - | - |
| 36 | 4.435 112.65 | 4.175 106.05 | 3.860 98.04 | 3.700 93.98 | 3.500 88.90 | A8D36WW29A3 | A8D36WW29B3 | - | - | - |
| 40 | 4.835 122.81 | 4.575 116.21 | 4.260 108.20 | 4.100 104.14 | 3.900 99.06 | A8D40WW29A3 | A8D40WW29B3 | - | - | - |
| 43 | 5.135 130.43 | 4.875 123.83 | 4.560 115.82 | 4.400 111.76 | 4.200 106.68 | A8D43WW29A3 | A8D43WW29B3 | - | - | - |
| 44 | 5.235 132.97 | 4.975 126.37 | 4.660 118.36 | 4.500 114.30 | 4.300 109.22 | A8D44WW29A3 | A8D44WW29B3 | - | - | - |
| 50 | 5.835 148.21 | 5.575 141.61 | 5.260 133.60 | 5.100 129.54 | 4.800 121.92 | A8D50WW29A3 | A8D50WW29B3 | - | - | - |
| 60 | 6.835 173.61 | 6.575 167.01 | 6.260 159.00 | 6.100 154.94 | 5.900 149.86 | A8D60WW29A3 | A8D60WW29B3 | - | - | - |
| 65 | 7.335 186.31 | 7.075 179.71 | 6.760 171.70 | 6.600 167.64 | 6.400 162.56 | A8D65WW29A3 | A8D65WW29B3 | - | - | - |

Solder Type Board-to-Board Connectors

**Modified Bellows Connectors .100 x .200 [2.54 x 5.08] and
.100 x .150 [2.54 x 3.81] Right Angle Dip Solder Tails**

Product Facts

- Recognized under the Component Program of Underwriters Laboratories Inc., File No. E60980 
- Certified by Canadian Standards Association, File No. LR49571 

Physical Properties:

Insulation Resistance—5000 megohms minimum.

Insertion/Withdrawal Force (Daughter Card)—8 oz./2 oz. [35.6 N/ 8.9 N] average contact pair using .0620 [1.57] steel blade.

Insulator Body—Glass filled thermoplastic, UL rating 94V-0. High temp. plastic option is available; add suffix M399 to part number.

Color—Black

Contacts—High strength copper alloy.

Contact Plating—.000050 [0.00127] nickel underplate with .000030 [0.00076] gold in the mating area, tin/lead on tails, .000100 [0.00254] minimum

Electrical Properties:

Operation Voltage—600 VDC (sea level)

Current Rating—3 Amperes

Initial Contact Resistance—10 milliohms

Environmental Properties:

Operating Temperature—-55°C to +125°C

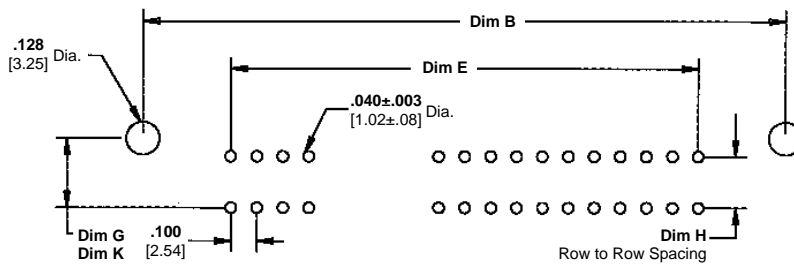
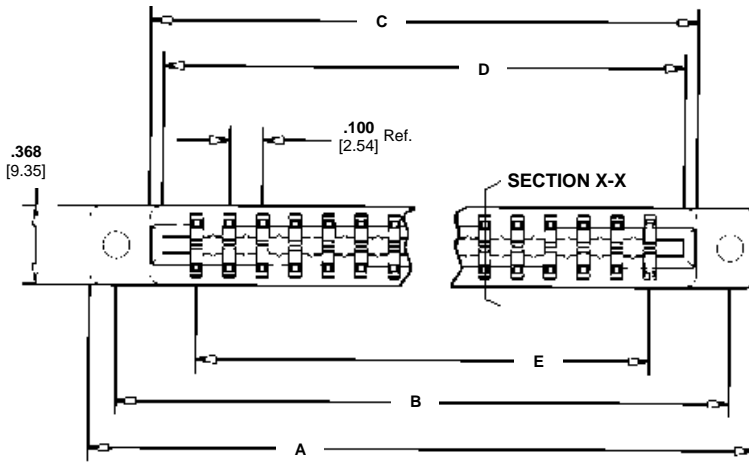
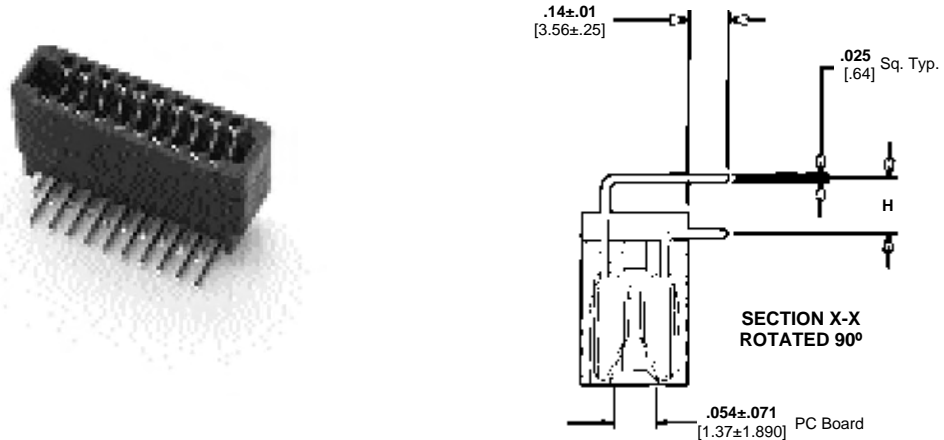
Temperature Cycling—MIL-STD-202 method 107

Vibration—MIL-STD-202 method 204

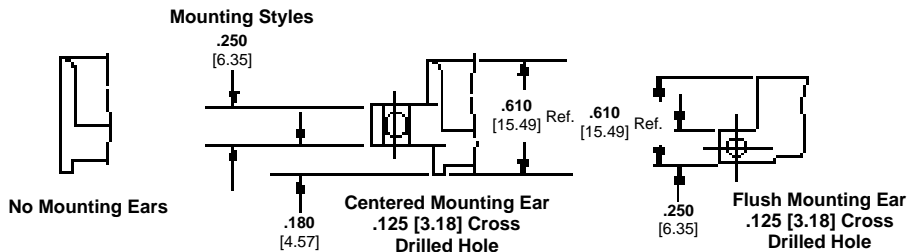
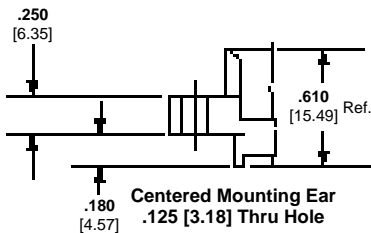
Related Product Data:

Polarization Key—page 57

Daughter Card Edge Pattern—page 57



Dim G - Centered Mounting Ear .125 [3.18] Cross Drilled Hole Only
Dim K - Flush Mounting Ear .125 [3.18] Cross Drilled Hole Only



.100" [2.54] Centerline / .200" [5.08] Row-to-Row (Dim. "H") Spacing

| No. of Dual Readout Positions | Dimensions | | | | | Centered Mounting Ear Only G | Flush Mounting Ear Only K | Centered Mounting Ear .125" [3.18] Thru Hole | Mounting Ear Options | | |
|-------------------------------|-----------------|-----------------|-----------------|-----------------|-----------------|------------------------------|---------------------------|--|----------------------|---|--|
| | A | B | C | D | E | | | | No Mounting Ears | Centered Mounting Ear .125" [3.18] Cross-Drilled Hole | Flush Mounting Ear .125" [3.18] Cross-Drilled Hole |
| 10 | 1.835 46.61 | 1.575 40.01 | 1.260 32.00 | 1.100 27.94 | 0.900 22.86 | 0.470 11.94 | 0.290 7.37 | A8D10RA29A | A8D10RA29C | A8D10RA29E | A8D10RA29F |
| 12 | 2.035 51.69 | 1.775 45.09 | 1.460 37.08 | 1.300 33.02 | 1.100 27.94 | 0.470 11.94 | 0.290 7.37 | A8D12RA29A | A8D12RA29C | A8D12RA29E | - |
| 15 | 2.335 59.31 | 2.075 52.71 | 1.760 44.70 | 1.600 40.64 | 1.400 35.56 | 0.470 11.94 | 0.290 7.37 | A8D15RA29A | A8D15RA29C | A8D15RA29E | A8D15RA29F |
| 18 | 2.635 66.93 | 2.375 60.33 | 2.060 52.32 | 1.900 48.26 | 1.700 43.18 | 0.470 11.94 | 0.290 7.37 | A8D18RA29A | A8D18RA29C | A8D18RA29E | A8D18RA29F |
| 20 | 2.835 72.01 | 2.575 65.41 | 2.260 57.40 | 2.100 53.34 | 1.900 48.26 | 0.470 11.94 | 0.290 7.37 | A8D20RA29A | A8D20RA29C | A8D20RA29E | - |
| 22 | 3.035 77.09 | 2.775 70.49 | 2.460 62.48 | 2.300 58.42 | 2.100 53.34 | 0.470 11.94 | 0.290 7.37 | A8D22RA29A | A8D22RA29C | A8D22RA29E | - |
| 25 | 3.335 84.71 | 3.075 78.11 | 2.760 70.10 | 2.600 66.04 | 2.400 60.96 | 0.470 11.94 | 0.290 7.37 | A8D25RA29A | A8D25RA29C | A8D25RA29E | A8D25RA29F |
| 28 | 3.635 92.33 | 3.375 85.73 | 3.060 77.72 | 2.900 73.66 | 2.700 68.58 | 0.470 11.94 | 0.290 7.37 | A8D28RA29A | A8D28RA29C | A8D28RA29E | - |
| 30 | 3.835 97.41 | 3.575 90.81 | 3.260 82.80 | 3.100 78.74 | 2.900 73.66 | 0.470 11.94 | 0.290 7.37 | A8D30RA29A | A8D30RA29C | A8D30RA29E | A8D30RA29F |
| 31 | 3.935 99.95 | 3.675 93.35 | 3.360 85.34 | 3.200 81.28 | 3.100 78.74 | 0.470 11.94 | 0.290 7.37 | A8D31RA29A | A8D31RA29C | A8D31RA29E | A8D31RA29F |
| 35 | 4.335 110.11 | 4.075 103.51 | 3.760 95.50 | 3.600 91.44 | 3.400 86.36 | 0.470 11.94 | 0.290 7.37 | A8D35RA29A | A8D35RA29C | A8D35RA29E | - |
| 36 | 4.435 112.65 | 4.175 106.05 | 3.860 98.04 | 3.700 93.98 | 3.500 88.90 | 0.470 11.94 | 0.290 7.37 | A8D36RA29A | A8D36RA29C | A8D36RA29E | - |
| 40 | 4.835 122.81 | 4.575 116.21 | 4.260 108.20 | 4.100 104.14 | 3.900 99.06 | 0.470 11.94 | 0.290 7.37 | A8D40RA29A | A8D40RA29C | A8D40RA29E | - |
| 43 | 5.135 130.43 | 4.875 123.83 | 4.560 115.82 | 4.400 111.76 | 4.200 106.68 | 0.470 11.94 | 0.290 7.37 | A8D43RA29A | A8D43RA29C | A8D43RA29E | - |
| 44 | 5.235 132.97 | 4.975 126.37 | 4.660 118.36 | 4.500 114.30 | 4.300 109.22 | 0.470 11.94 | 0.290 7.37 | A8D44RA29A | A8D44RA29C | A8D44RA29E | - |
| 50 | 5.835 148.21 | 5.575 141.61 | 5.260 133.60 | 5.100 129.54 | 4.800 121.92 | 0.470 11.94 | 0.290 7.37 | A8D50RA29A | A8D50RA29C | A8D50RA29E | A8D50RA29F |
| 60 | 6.835 173.61 | 6.575 167.01 | 6.260 159.00 | 6.100 154.94 | 5.900 149.86 | 0.470 11.94 | 0.290 7.37 | A8D60RA29A | A8D60RA29C | A8D60RA29E | - |
| 65 | 7.335 186.31 | 7.075 179.71 | 6.760 171.70 | 6.600 167.64 | 6.400 162.56 | 0.470 11.94 | 0.290 7.37 | A8D65RA29A | A8D65RA29C | A8D65RA29E | A8D65RA29F |

Solder Type Board-to-Board Connectors

Ordering Information

.100" [2.54] Centerline / .150" [3.81] Row-to-Row (Dim. "H") Spacing

| No. of Dual Readout Positions | Dimensions | | | | | Mounting Ear Options | | | | | | |
|-------------------------------|-----------------|-----------------|-----------------|-----------------|-----------------|------------------------------|---------------------------|--|------------------|---|--|--|
| | A | B | C | D | E | Centered Mounting Ear Only G | Flush Mounting Ear Only K | Centered Mounting Ear .125" [3.18] Thru Hole | No Mounting Ears | Centered Mounting Ear .125" [3.18] Cross-Drilled Hole | Flush Mounting Ear .125" [3.18] Cross-Drilled Hole | |
| 10 | 1.835 46.61 | 1.575 40.01 | 1.260 32.00 | 1.100 27.94 | 0.900 22.86 | 0.420 10.67 | 0.240 6.10 | A8D10RA29AM233 | A8D10RA29CM233 | A8D10RA29EM233 | A8D10RA29FM233 | |
| 12 | 2.035 51.69 | 1.775 45.09 | 1.460 37.08 | 1.300 33.02 | 1.100 27.94 | 0.420 10.67 | 0.240 6.10 | A8D12RA29AM233 | A8D12RA29CM233 | A8D12RA29EM233 | - | |
| 15 | 2.335 59.31 | 2.075 52.71 | 1.760 44.70 | 1.600 40.64 | 1.400 35.56 | 0.420 10.67 | 0.240 6.10 | A8D15RA29AM233 | A8D15RA29CM233 | A8D15RA29EM233 | A8D15RA29FM233 | |
| 18 | 2.635 66.93 | 2.375 60.33 | 2.060 52.32 | 1.900 48.26 | 1.700 43.18 | 0.420 10.67 | 0.240 6.10 | A8D18RA29AM233 | A8D18RA29CM233 | A8D18RA29EM233 | A8D18RA29FM233 | |
| 20 | 2.835 72.01 | 2.575 65.41 | 2.260 57.40 | 2.100 53.34 | 1.900 48.26 | 0.420 10.67 | 0.240 6.10 | A8D20RA29AM233 | A8D20RA29CM233 | A8D20RA29EM233 | - | |
| 22 | 3.035 77.09 | 2.775 70.49 | 2.460 62.48 | 2.300 58.42 | 2.100 53.34 | 0.420 10.67 | 0.240 6.10 | A8D22RA29AM233 | A8D22RA29CM233 | A8D22RA29EM233 | - | |
| 25 | 3.335 84.71 | 3.075 78.11 | 2.760 70.10 | 2.600 66.04 | 2.400 60.96 | 0.420 10.67 | 0.240 6.10 | A8D25RA29AM233 | A8D25RA29CM233 | A8D25RA29EM233 | A8D25RA29FM233 | |
| 28 | 3.635 92.33 | 3.375 85.73 | 3.060 77.72 | 2.900 73.66 | 2.700 68.58 | 0.420 10.67 | 0.240 6.10 | A8D28RA29AM233 | A8D28RA29CM233 | A8D28RA29EM233 | - | |
| 30 | 3.835 97.41 | 3.575 90.81 | 3.260 82.80 | 3.100 78.74 | 2.900 73.66 | 0.420 10.67 | 0.240 6.10 | A8D30RA29AM233 | A8D30RA29CM233 | A8D30RA29EM233 | A8D30RA29FM233 | |
| 31 | 3.935 99.95 | 3.675 93.35 | 3.360 85.34 | 3.200 81.28 | 3.100 78.74 | 0.420 10.67 | 0.240 6.10 | A8D31RA29AM233 | A8D31RA29CM233 | A8D31RA29EM233 | A8D31RA29FM233 | |
| 35 | 4.335 110.11 | 4.075 103.51 | 3.760 95.50 | 3.600 91.44 | 3.400 86.36 | 0.420 10.67 | 0.240 6.10 | A8D35RA29AM233 | A8D35RA29CM233 | A8D35RA29EM233 | - | |
| 36 | 4.435 112.65 | 4.175 106.05 | 3.860 98.04 | 3.700 93.98 | 3.500 88.90 | 0.420 10.67 | 0.240 6.10 | A8D36RA29AM233 | A8D36RA29CM233 | A8D36RA29EM233 | - | |
| 40 | 4.835 122.81 | 4.575 116.21 | 4.260 108.20 | 4.100 104.14 | 3.900 99.06 | 0.420 10.67 | 0.240 6.10 | A8D40RA29AM233 | A8D40RA29CM233 | A8D40RA29EM233 | - | |
| 43 | 5.135 130.43 | 4.875 123.83 | 4.560 115.82 | 4.400 111.76 | 4.200 106.68 | 0.420 10.67 | 0.240 6.10 | A8D43RA29AM233 | A8D43RA29CM233 | A8D43RA29EM233 | - | |
| 44 | 5.235 132.97 | 4.975 126.37 | 4.660 118.36 | 4.500 114.30 | 4.300 109.22 | 0.420 10.67 | 0.240 6.10 | A8D44RA29AM233 | A8D44RA29CM233 | A8D44RA29EM233 | - | |
| 50 | 5.835 148.21 | 5.575 141.61 | 5.260 133.60 | 5.100 129.54 | 4.800 121.92 | 0.420 10.67 | 0.240 6.10 | A8D50RA29AM233 | A8D50RA29CM233 | A8D50RA29EM233 | A8D50RA29FM233 | |
| 60 | 6.835 173.61 | 6.575 167.01 | 6.260 159.00 | 6.100 154.94 | 5.900 149.86 | 0.420 10.67 | 0.240 6.10 | A8D60RA29AM233 | A8D60RA29CM233 | A8D60RA29EM233 | - | |
| 65 | 7.335 186.31 | 7.075 179.71 | 6.760 171.70 | 6.600 167.64 | 6.400 162.56 | 0.420 10.67 | 0.240 6.10 | A8D65RA29AM233 | A8D65RA29CM233 | A8D65RA29EM233 | A8D65RA29FM233 | |

Solder Type Board-to-Board Connectors

Electronics

Product Facts

- Recognized under the Component Program of Underwriters Laboratories Inc., File No. E60980 
- Certified by Canadian Standards Association, File No. LR49571 

Physical Properties:

Insulation Resistance—5000 megohms minimum.

Insertion/Withdrawal Force (Daughter Card)—8 oz./2 oz. [35.6 N/ 8.9 N] average contact pair using .0620 [1.57] steel blade.

Insulator Body—Glass filled thermoplastic, UL rating 94V-0. High temp. plastic option is available; add suffix M399 to part number.

Color—Black

Contacts—High strength copper alloy.

Contact Plating—.000050 [0.00127] nickel underplate with .000030 [0.00076] gold in the mating area, tin/lead on tails, .000100 [0.00254] minimum

Electrical Properties:

Operation Voltage—600 VDC (sea level)

Current Rating—3 Amperes

Initial Contact Resistance—10 milliohms

Environmental Properties:

Operating Temperature—-55°C to +125°C

Temperature Cycling—MIL-STD-202 method 107

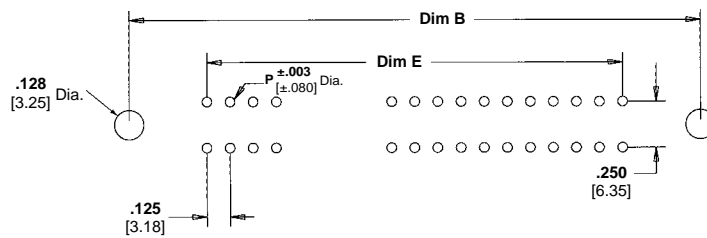
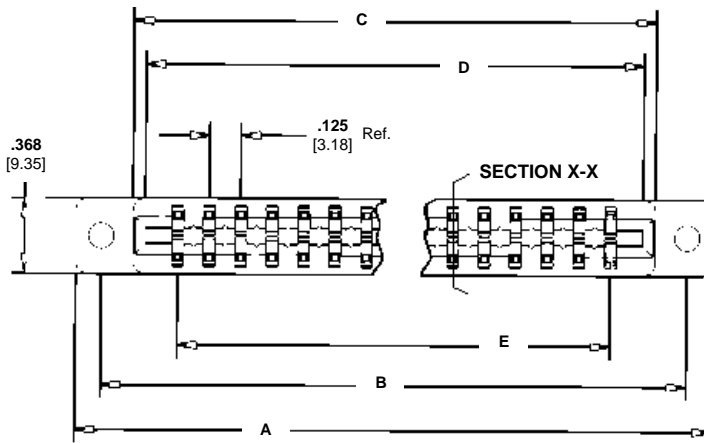
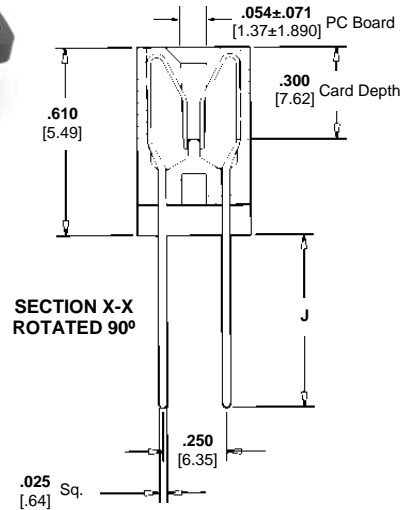
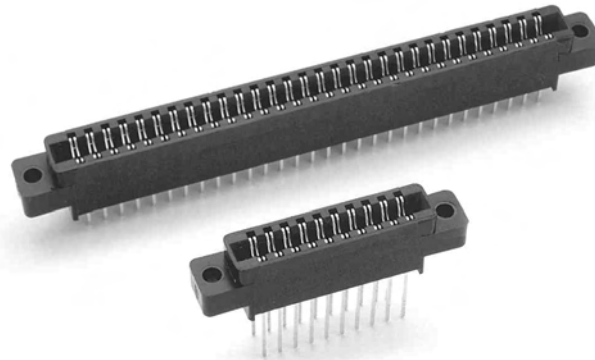
Vibration—MIL-STD-202 method 204

Related Product Data:

Polarization Key—page 57

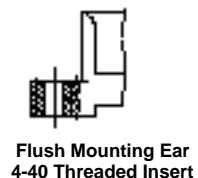
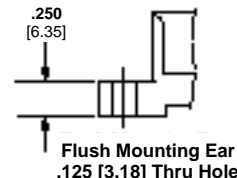
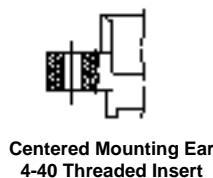
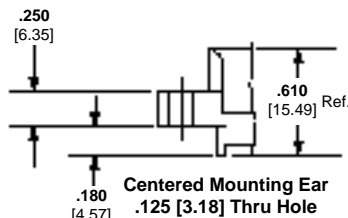
Daughter Card Edge Pattern—page 57

Modified Bellows Connectors .125 x .250 [3.18 x 6.35], Centerline Straight Dip Solder and Wire Wrap Tails



P=.040 [1.02] Dip Solder Applications
P=.042 [1.07] For Wire Wrap Applications

Mounting Styles



.125" [3.18] Centerline / .250" [6.35] Row-to-Row Dip Solder

| No. of Dual Readout Positions | Dimensions | | | | | Mounting Ear Options | | | | |
|---|-----------------|-----------------|-----------------|-----------------|-----------------|--|--|------------------|---|---|
| | A | B | C | D | E | Centered Mounting Ear .125" [3.18] Thru Hole | Centered Mounting Ear 4-40 Threaded insert | No Mounting Ears | Flush Mounting Ear .125" [3.18] Thru Hole | Flush Mounting Ear 4-40 Threaded insert |
| Tail Length .160" [4.06] (DIM "J") | | | | | | | | | | |
| 6 | 1.555 39.50 | 1.295 32.89 | 1.035 26.29 | 0.875 22.23 | 0.625 15.88 | A7D06DS29A2 | A7D06DS29B2 | A7D06DS29C2 | A7D06DS29D2 | A7D06DS29E2 |
| 10 | 2.055 52.20 | 1.795 45.59 | 1.535 38.99 | 1.375 34.93 | 1.125 28.58 | A7D10DS29A2 | A7D10DS29B2 | A7D10DS29C2 | A7D10DS29D2 | A7D10DS29E2 |
| 15 | 2.680 68.07 | 2.420 61.47 | 2.160 54.86 | 2.000 50.80 | 1.750 44.45 | A7D15DS29A2 | A7D15DS29B2 | A7D15DS29C2 | A7D15DS29D2 | A7D15DS29E2 |
| 18 | 3.055 77.60 | 2.795 70.99 | 2.535 64.39 | 2.375 60.33 | 2.125 53.98 | A7D18DS29A2 | A7D18DS29B2 | A7D18DS29C2 | A7D18DS29D2 | A7D18DS29E2 |
| 22 | 3.555 90.30 | 3.295 83.69 | 3.035 77.09 | 2.875 73.03 | 2.625 66.68 | A7D22DS29A2 | A7D22DS29B2 | A7D22DS29C2 | - | - |
| 25 | 3.930 99.82 | 3.670 93.22 | 3.410 86.61 | 3.250 82.55 | 3.000 76.20 | A7D25DS29A2 | A7D25DS29B2 | A7D25DS29C2 | A7D25DS29D2 | A7D25DS29E2 |
| 28 | 4.305 109.35 | 4.045 102.74 | 3.785 96.14 | 3.625 92.08 | 3.375 85.73 | A7D28DS29A2 | A7D28DS29B2 | A7D28DS29C2 | - | - |
| 30 | 4.555 115.70 | 4.295 109.09 | 4.035 102.49 | 3.875 98.43 | 3.625 92.08 | A7D30DS29A2 | A7D30DS29B2 | A7D30DS29C2 | A7D30DS29D2 | A7D30DS29E2 |
| 35 | 5.180 131.57 | 4.920 124.97 | 4.660 118.36 | 4.500 114.30 | 4.250 107.95 | A7D35DS29A2 | A7D35DS29B2 | A7D35DS29C2 | - | - |
| 36 | 5.305 134.75 | 5.045 128.14 | 4.785 121.54 | 4.625 117.48 | 4.375 111.13 | A7D36DS29A2 | A7D36DS29B2 | A7D36DS29C2 | - | - |
| 40 | 5.805 147.45 | 5.545 140.84 | 5.285 134.24 | 5.125 130.18 | 4.875 123.83 | A7D40DS29A2 | A7D40DS29B2 | A7D40DS29C2 | - | - |
| 43 | 6.180 156.97 | 5.920 150.37 | 5.660 143.76 | 5.500 139.70 | 5.250 133.35 | A7D43DS29A2 | A7D43DS29B2 | A7D43DS29C2 | - | - |
| 50 | 7.055 179.20 | 6.795 172.59 | 6.535 165.99 | 6.375 161.93 | 6.125 155.58 | A7D50DS29A2 | A7D50DS29B2 | A7D50DS29C2 | A7D50DS29D2 | A7D50DS29E2 |

.125" [3.18] Centerline / .250" [6.35] Row-to-Row Wire Wrap

| No. of Dual Readout Positions | Dimensions | | | | | Mounting Ear Options | | | | |
|--|-----------------|-----------------|-----------------|-----------------|-----------------|--|--|------------------|---|---|
| | A | B | C | D | E | Centered Mounting Ear .125" [3.18] Thru Hole | Centered Mounting Ear 4-40 Threaded insert | No Mounting Ears | Flush Mounting Ear .125" [3.18] Thru Hole | Flush Mounting Ear 4-40 Threaded insert |
| Tail Length .560" [14.22] (DIM "J") | | | | | | | | | | |
| 6 | 1.555 39.50 | 1.295 32.89 | 1.035 26.29 | 0.875 22.23 | 0.625 15.88 | A7D06WW29A3 | A7D06WW29B3 | - | - | - |
| 10 | 2.055 52.20 | 1.795 45.59 | 1.535 38.99 | 1.375 34.93 | 1.125 28.58 | A7D10WW29A3 | A7D10WW29B3 | - | - | - |
| 15 | 2.680 68.07 | 2.420 61.47 | 2.160 54.86 | 2.000 50.80 | 1.750 44.45 | A7D15WW29A3 | A7D15WW29B3 | - | - | - |
| 18 | 3.055 77.60 | 2.795 70.99 | 2.535 64.39 | 2.375 60.33 | 2.125 53.98 | A7D18WW29A3 | A7D18WW29B3 | - | - | - |
| 22 | 3.555 90.30 | 3.295 83.69 | 3.035 77.09 | 2.875 73.03 | 2.625 66.68 | A7D22WW29A3 | A7D22WW29B3 | - | - | - |
| 25 | 3.930 99.82 | 3.670 93.22 | 3.410 86.61 | 3.250 82.55 | 3.000 76.20 | A7D25WW29A3 | A7D25WW29B3 | - | - | - |
| 28 | 4.305 109.35 | 4.045 102.74 | 3.785 96.14 | 3.625 92.08 | 3.375 85.73 | A7D28WW29A3 | A7D28WW29B3 | - | - | - |
| 30 | 4.555 115.70 | 4.295 109.09 | 4.035 102.49 | 3.875 98.43 | 3.625 92.08 | A7D30WW29A3 | A7D30WW29B3 | - | - | - |
| 35 | 5.180 131.57 | 4.920 124.97 | 4.660 118.36 | 4.500 114.30 | 4.250 107.95 | A7D35WW29A3 | A7D35WW29B3 | - | - | - |
| 36 | 5.305 134.75 | 5.045 128.14 | 4.785 121.54 | 4.625 117.48 | 4.375 111.13 | A7D36WW29A3 | A7D36WW29B3 | - | - | - |
| 40 | 5.805 147.45 | 5.545 140.84 | 5.285 134.24 | 5.125 130.18 | 4.875 123.83 | A7D40WW29A3 | A7D40WW29B3 | - | - | - |
| 43 | 6.180 156.97 | 5.920 150.37 | 5.660 143.76 | 5.500 139.70 | 5.250 133.35 | A7D43WW29A3 | A7D43WW29B3 | - | - | - |
| 50 | 7.055 179.20 | 6.795 172.59 | 6.535 165.99 | 6.375 161.93 | 6.125 155.58 | A7D50WW29A3 | A7D50WW29B3 | - | - | - |

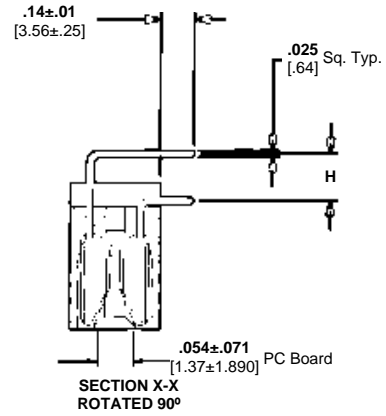
Electronics

Modified Bellows Connectors .125 x .250 [3.18 x 6.35], .125 x .150 [3.18 x 3.81], .125 x .200 [3.18 x 5.08] Centerline, Right Angle Tails

Product Facts

- Recognized under the Component Program of Underwriters Laboratories Inc., File No. E60980 
- Certified by Canadian Standards Association, File No. LR49571 

Solder Type Board-to-Board Connectors



Physical Properties:

Insulation Resistance—5000 megohms minimum.

Insertion/Withdrawal Force (Daughter Card)—8 oz./2 oz. [35.6 N/ 8.9 N] average contact pair using .0620 [1.57] steel blade.

Insulator Body—Glass filled thermoplastic, UL rating 94V-0. High temp. plastic option is available; add suffix M399 to part number.

Color—Black

Contacts—High strength copper alloy.

Contact Plating—.000050 [0.00127] nickel underplate with .000030 [0.00076] gold in the mating area, tin/lead on tails, .000100 [0.00254] minimum

Electrical Properties:

Operation Voltage—1000 VDC (sea level)

Current Rating—3 Amperes

Initial Contact Resistance—10 milliohms

Environmental Properties:

Operating Temperature—-55°C to +125°C

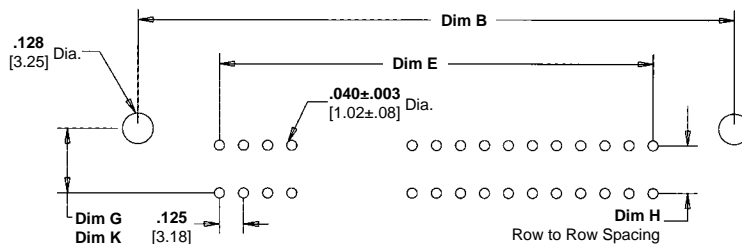
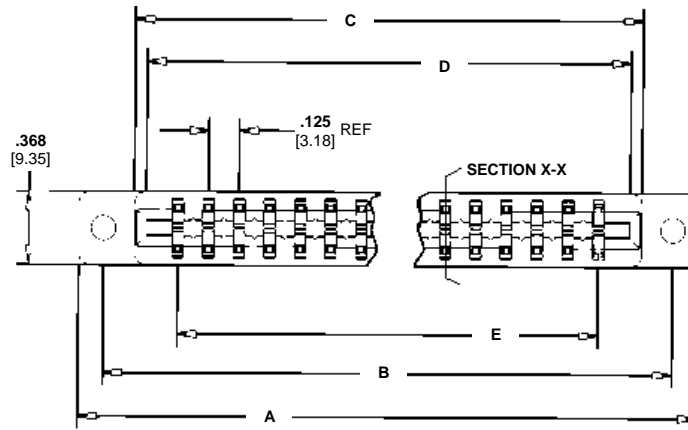
Temperature Cycling—MIL-STD-202 method 107

Vibration—MIL-STD-202 method 204

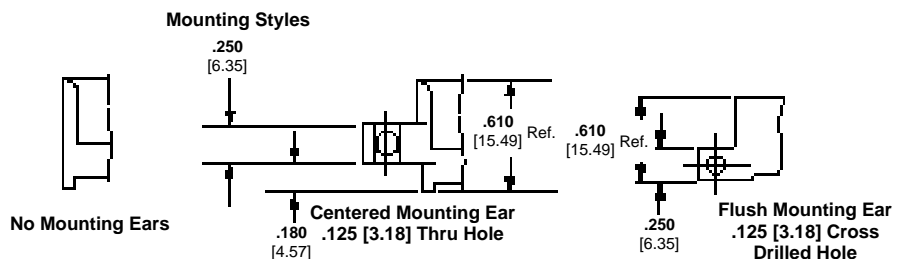
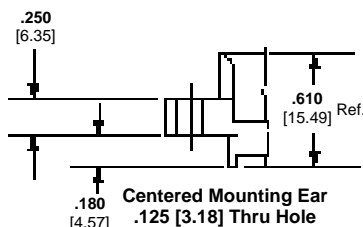
Related Product Data:

Polarization Key—page 57

Daughter Card Edge Pattern—page 57



Dim G - Centered Mounting Ear .125 [3.18] Cross Drilled Hole Only
Dim K - Flush Mounting Ear .125 [3.18] Cross Drilled Hole Only



Mounting Styles

No Mounting Ears

Centered Mounting Ear
.180 [4.57] .125 [3.18] Thru Hole

Flush Mounting Ear
.125 [3.18] Cross Drilled Hole

.125" [3.18] Centerline / .200" [5.08] and .150" [3.81] Row-to-Row (Dim. "H") Spacing

| No. of Dual Readout Positions | Dimensions | | | | | Mounting Ear Options | | | | | |
|---|-----------------|-----------------|-----------------|-----------------|-----------------|------------------------------|---------------------------|--|------------------|---|--|
| | A | B | C | D | E | Centered Mounting Ear Only G | Flush Mounting Ear Only K | Centered Mounting Ear .125" [3.18] Thru Hole | No Mounting Ears | Centered Mounting Ear .125" [3.18] Cross-Drilled Hole | Flush Mounting Ear .125" [3.18] Cross-Drilled Hole |
| .150" [3.81] Row-to-Row (Dim. "H") Spacing | | | | | | | | | | | |
| 6 | 1.555 39.50 | 1.295 32.89 | 1.035 26.29 | 0.875 22.23 | 0.625 15.88 | 0.420 10.67 | 0.240 6.10 | A7D06RA29AM231 | A7D06RA29CM231 | A7D06RA29EM231 | A7D06RA29FM231 |
| 10 | 2.055 52.20 | 1.795 45.59 | 1.535 38.99 | 1.375 34.93 | 1.125 28.58 | 0.420 10.67 | 0.240 6.10 | A7D10RA29AM231 | A7D10RA29CM231 | A7D10RA29EM231 | A7D10RA29FM231 |
| 15 | 2.680 68.07 | 2.420 61.47 | 2.160 54.86 | 2.000 50.80 | 1.750 44.45 | 0.420 10.67 | 0.240 6.10 | A7D15RA29AM231 | A7D15RA29CM231 | A7D15RA29EM231 | A7D15RA29FM231 |
| 18 | 3.055 77.60 | 2.795 70.99 | 2.535 64.39 | 2.375 60.33 | 2.125 53.98 | 0.420 10.67 | 0.240 6.10 | A7D18RA29AM231 | A7D18RA29CM231 | A7D18RA29EM231 | A7D18RA29FM231 |
| 22 | 3.555 90.30 | 3.295 83.69 | 3.035 77.09 | 2.875 73.03 | 2.625 66.68 | 0.420 10.67 | 0.240 6.10 | A7D22RA29AM231 | A7D22RA29CM231 | A7D22RA29EM231 | A7D22RA29FM231 |
| 25 | 3.930 99.82 | 3.670 93.22 | 3.410 86.61 | 3.250 82.55 | 3.000 76.20 | 0.420 10.67 | 0.240 6.10 | A7D25RA29AM231 | A7D25RA29CM231 | A7D25RA29EM231 | A7D25RA29FM231 |
| 28 | 4.305 109.35 | 4.045 102.74 | 3.785 96.14 | 3.625 92.08 | 3.375 85.73 | 0.420 10.67 | 0.240 6.10 | A7D28RA29AM231 | A7D28RA29CM231 | A7D28RA29EM231 | A7D28RA29FM231 |
| 30 | 4.555 115.70 | 4.295 109.09 | 4.035 102.49 | 3.875 98.43 | 3.625 92.08 | 0.420 10.67 | 0.240 6.10 | A7D30RA29AM231 | A7D30RA29CM231 | A7D30RA29EM231 | A7D30RA29FM231 |
| 35 | 5.180 131.57 | 4.920 124.97 | 4.660 118.36 | 4.500 114.30 | 4.250 107.95 | 0.420 10.67 | 0.240 6.10 | A7D35RA29AM231 | A7D35RA29CM231 | A7D35RA29EM231 | A7D35RA29FM231 |
| 36 | 5.305 134.75 | 5.045 128.14 | 4.785 121.54 | 4.625 117.48 | 4.375 111.13 | 0.420 10.67 | 0.240 6.10 | A7D36RA29AM231 | A7D36RA29CM231 | A7D36RA29EM231 | A7D36RA29FM231 |
| 40 | 5.805 147.45 | 5.545 140.84 | 5.285 134.24 | 5.125 130.18 | 4.875 123.83 | 0.420 10.67 | 0.240 6.10 | A7D40RA29AM231 | A7D40RA29CM231 | A7D40RA29EM231 | A7D40RA29FM231 |
| 43 | 6.180 156.97 | 5.920 150.37 | 5.660 143.76 | 5.500 139.70 | 5.250 133.35 | 0.420 10.67 | 0.240 6.10 | A7D43RA29AM231 | A7D43RA29CM231 | A7D43RA29EM231 | A7D43RA29FM231 |
| 50 | 7.055 179.20 | 6.795 172.59 | 6.535 165.99 | 6.375 161.93 | 6.125 155.58 | 0.420 10.67 | 0.240 6.10 | A7D50RA29AM231 | A7D50RA29CM231 | A7D50RA29EM231 | A7D50RA29FM231 |
| .200" [5.08] Row-to-Row (Dim. "H") Spacing | | | | | | | | | | | |
| 6 | 1.555 39.50 | 1.295 32.89 | 1.035 26.29 | 0.875 22.23 | 0.625 15.88 | 0.470 11.94 | 0.290 7.37 | A7D06RA29AM232 | A7D06RA29CM232 | A7D06RA29EM232 | A7D06RA29FM232 |
| 10 | 2.055 52.20 | 1.795 45.59 | 1.535 38.99 | 1.375 34.93 | 1.125 28.58 | 0.470 11.94 | 0.290 7.37 | A7D10RA29AM232 | A7D10RA29CM232 | A7D10RA29EM232 | A7D10RA29FM232 |
| 15 | 2.680 68.07 | 2.420 61.47 | 2.160 54.86 | 2.000 50.80 | 1.750 44.45 | 0.470 11.94 | 0.290 7.37 | A7D15RA29AM232 | A7D15RA29CM232 | A7D15RA29EM232 | A7D15RA29FM232 |
| 18 | 3.055 77.60 | 2.795 70.99 | 2.535 64.39 | 2.375 60.33 | 2.125 53.98 | 0.470 11.94 | 0.290 7.37 | A7D18RA29AM232 | A7D18RA29CM232 | A7D18RA29EM232 | A7D18RA29FM232 |
| 22 | 3.555 90.30 | 3.295 83.69 | 3.035 77.09 | 2.875 73.03 | 2.625 66.68 | 0.470 11.94 | 0.290 7.37 | A7D22RA29AM232 | A7D22RA29CM232 | A7D22RA29EM232 | A7D22RA29FM232 |
| 25 | 3.930 99.82 | 3.670 93.22 | 3.410 86.61 | 3.250 82.55 | 3.000 76.20 | 0.470 11.94 | 0.290 7.37 | A7D25RA29AM232 | A7D25RA29CM232 | A7D25RA29EM232 | A7D25RA29FM232 |
| 28 | 4.305 109.35 | 4.045 102.74 | 3.785 96.14 | 3.625 92.08 | 3.375 85.73 | 0.470 11.94 | 0.290 7.37 | A7D28RA29AM232 | A7D28RA29CM232 | A7D28RA29EM232 | A7D28RA29FM232 |
| 30 | 4.555 115.70 | 4.295 109.09 | 4.035 102.49 | 3.875 98.43 | 3.625 92.08 | 0.470 11.94 | 0.290 7.37 | A7D30RA29AM232 | A7D30RA29CM232 | A7D30RA29EM232 | A7D30RA29FM232 |
| 35 | 5.180 131.57 | 4.920 124.97 | 4.660 118.36 | 4.500 114.30 | 4.250 107.95 | 0.470 11.94 | 0.290 7.37 | A7D35RA29AM232 | A7D35RA29CM232 | A7D35RA29EM232 | A7D35RA29FM232 |
| 36 | 5.305 134.75 | 5.045 128.14 | 4.785 121.54 | 4.625 117.48 | 4.375 111.13 | 0.470 11.94 | 0.290 7.37 | A7D36RA29AM232 | A7D36RA29CM232 | A7D36RA29EM232 | A7D36RA29FM232 |
| 40 | 5.805 147.45 | 5.545 140.84 | 5.285 134.24 | 5.125 130.18 | 4.875 123.83 | 0.470 11.94 | 0.290 7.37 | A7D40RA29AM232 | A7D40RA29CM232 | A7D40RA29EM232 | A7D40RA29FM232 |
| 43 | 6.180 156.97 | 5.920 150.37 | 5.660 143.76 | 5.500 139.70 | 5.250 133.35 | 0.470 11.94 | 0.290 7.37 | A7D43RA29AM232 | A7D43RA29CM232 | A7D43RA29EM232 | A7D43RA29FM232 |
| 50 | 7.055 179.20 | 6.795 172.59 | 6.535 165.99 | 6.375 161.93 | 6.125 155.58 | 0.470 11.94 | 0.290 7.37 | A7D50RA29AM232 | A7D50RA29CM232 | A7D50RA29EM232 | A7D50RA29FM232 |

.125" [3.18] Centerline / .250" [6.35] Row-to-Row (Dim. "H") Spacing

| No. of Dual Readout Positions | Dimensions | | | | | Centered Mounting Ear Only G | Flush Mounting Ear Only K | Centered Mounting Ear .125" [3.18] Thru Hole | Mounting Ear Options | | |
|---|-----------------|-----------------|-----------------|-----------------|-----------------|------------------------------|---------------------------|--|----------------------|---|--|
| | A | B | C | D | E | | | | No Mounting Ears | Centered Mounting Ear .125" [3.18] Cross-Drilled Hole | Flush Mounting Ear .125" [3.18] Cross-Drilled Hole |
| .250" [6.35] Row-to-Row (Dim. "H") Spacing | | | | | | | | | | | |
| 6 | 1.555 39.50 | 1.295 32.89 | 1.035 26.29 | 0.875 22.23 | 0.625 15.88 | 0.520 13.21 | 0.340 8.64 | A7D06RA29A | A7D06RA29C | A7D06RA29E | A7D06RA29F |
| 10 | 2.055 52.20 | 1.795 45.59 | 1.535 38.99 | 1.375 34.93 | 1.125 28.58 | 0.520 13.21 | 0.340 8.64 | A7D10RA29A | A7D10RA29C | A7D10RA29E | A7D10RA29F |
| 15 | 2.680 68.07 | 2.420 61.47 | 2.160 54.86 | 2.000 50.80 | 1.750 44.45 | 0.520 13.21 | 0.340 8.64 | A7D15RA29A | A7D15RA29C | A7D15RA29E | A7D15RA29F |
| 18 | 3.055 77.60 | 2.795 70.99 | 2.535 64.39 | 2.375 60.33 | 2.125 53.98 | 0.520 13.21 | 0.340 8.64 | A7D18RA29A | A7D18RA29C | A7D18RA29E | A7D18RA29F |
| 22 | 3.555 90.30 | 3.295 83.69 | 3.035 77.09 | 2.875 73.03 | 2.625 66.68 | 0.520 13.21 | 0.340 8.64 | A7D22RA29A | A7D22RA29C | A7D22RA29E | A7D22RA29F |
| 25 | 3.930 99.82 | 3.670 93.22 | 3.410 86.61 | 3.250 82.55 | 3.000 76.20 | 0.520 13.21 | 0.340 8.64 | A7D25RA29A | A7D25RA29C | A7D25RA29E | A7D25RA29F |
| 28 | 4.305 109.35 | 4.045 102.74 | 3.785 96.14 | 3.625 92.08 | 3.375 85.73 | 0.520 13.21 | 0.340 8.64 | A7D28RA29A | A7D28RA29C | A7D28RA29E | A7D28RA29F |
| 30 | 4.555 115.70 | 4.295 109.09 | 4.035 102.49 | 3.875 98.43 | 3.625 92.08 | 0.520 13.21 | 0.340 8.64 | A7D30RA29A | A7D30RA29C | A7D30RA29E | A7D30RA29F |
| 35 | 5.180 131.57 | 4.920 124.97 | 4.660 118.36 | 4.500 114.30 | 4.250 107.95 | 0.520 13.21 | 0.340 8.64 | A7D35RA29A | A7D35RA29C | A7D35RA29E | A7D35RA29F |
| 36 | 5.305 134.75 | 5.045 128.14 | 4.785 121.54 | 4.625 117.48 | 4.375 111.13 | 0.520 13.21 | 0.340 8.64 | A7D36RA29A | A7D36RA29C | A7D36RA29E | A7D36RA29F |
| 40 | 5.805 147.45 | 5.545 140.84 | 5.285 134.24 | 5.125 130.18 | 4.875 123.83 | 0.520 13.21 | 0.340 8.64 | A7D40RA29A | A7D40RA29C | A7D40RA29E | A7D40RA29F |
| 43 | 6.180 156.97 | 5.920 150.37 | 5.660 143.76 | 5.500 139.70 | 5.250 133.35 | 0.520 13.21 | 0.340 8.64 | A7D43RA29A | A7D43RA29C | A7D43RA29E | A7D43RA29F |
| 50 | 7.055 179.20 | 6.795 172.59 | 6.535 165.99 | 6.375 161.93 | 6.125 155.58 | 0.520 13.21 | 0.340 8.64 | A7D50RA29A | A7D50RA29C | A7D50RA29E | A7D50RA29F |

Solder Type Board-to-Board Connectors

Modified Bellows Connectors, .156 x .200 [3.96 x 5.08] Centerline, Straight Dip Solder and Wire Wrap Tails

Product Facts

- Recognized under the Component Program of Underwriters Laboratories Inc., File No. E60980 
- Certified by Canadian Standards Association, File No. LR49571 

Physical Properties:

Insulation Resistance—5000 megohms minimum.

Insertion/Withdrawal Force (Daughter Card)—8 oz./2 oz. [35.6 N/ 8.9 N] average contact pair using .0620 [1.57] steel blade.

Insulator Body—Glass filled thermoplastic, UL rating 94V-0. High temp. plastic option is available; add suffix M399 to part number.

Color—Black

Contacts—High strength copper alloy.

Contact Plating—.000050 [0.00127] nickel underplate with .000030 [0.00076] gold in the mating area, tin/lead on tails, .000100 [0.00254] minimum

Electrical Properties:

Operation Voltage—1500 VDC (sea level)

Current Rating—3 Amperes

Initial Contact Resistance—10 milliohms

Environmental Properties:

Operating Temperature—-55°C to +125°C

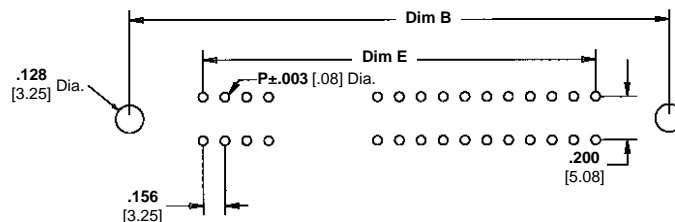
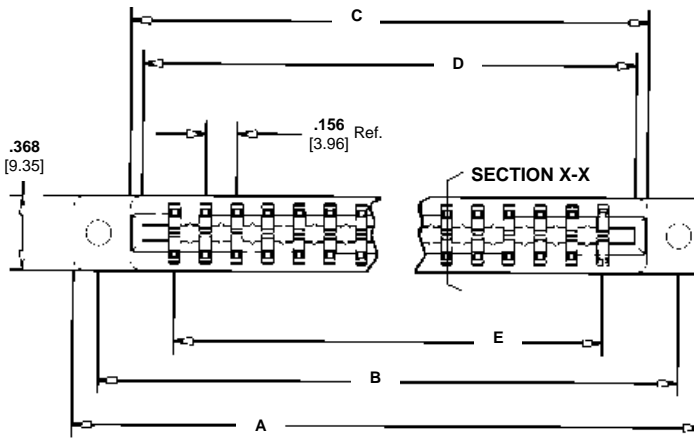
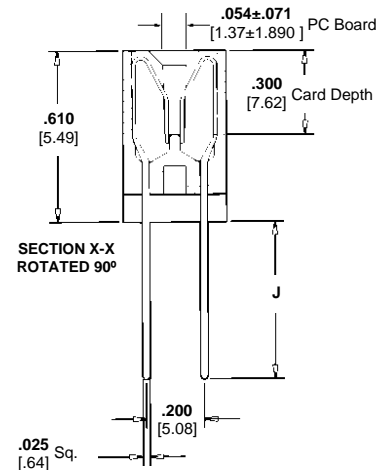
Temperature Cycling—MIL-STD-202 method 107

Vibration—MIL-STD-202 method 204

Related Product Data:

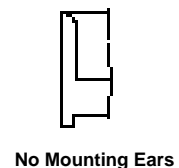
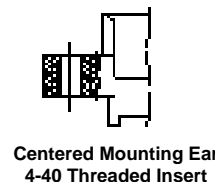
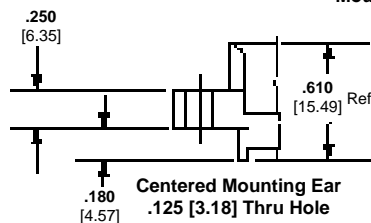
Polarization Key—page 57

Daughter Card Edge Pattern—page 57



P=.040 [1.02] Dip Solder Applications
P=.042 [1.07] For Wire Wrap Applications

Mounting Styles



.156" [3.96] Centerline / .200" [5.08] Row-to-Row

| No. of Dual Readout Positions | Dimensions | | | | | Mounting Ear Options | | |
|--|-----------------|-----------------|-----------------|-----------------|-----------------|--|--|------------------|
| | A | B | C | D | E | Centered Mounting Ear .125" [3.18] Thru Hole | Centered Mounting Ear 4-40 Threaded Insert | No Mounting Ears |
| Tail Length .160" [4.06] (DIM "J") | | | | | | | | |
| 6 | 1.784 45.31 | 1.534 38.96 | 1.221 31.01 | 1.100 27.94 | 0.780 19.81 | A6D06DS29A2 | A6D06DS29B2 | A6D06DS29C2 |
| 10 | 2.408 61.16 | 2.158 54.81 | 1.845 46.86 | 1.724 43.79 | 1.404 35.66 | A6D10DS29A2 | A6D10DS29B2 | A6D10DS29C2 |
| 12 | 2.720 69.09 | 2.470 62.74 | 2.157 54.79 | 2.036 51.71 | 1.716 43.59 | A6D12DS29A2 | A6D12DS29B2 | A6D12DS29C2 |
| 15 | 3.188 80.98 | 2.938 74.63 | 2.625 66.68 | 2.504 63.60 | 2.184 55.47 | A6D15DS29A2 | A6D15DS29B2 | A6D15DS29C2 |
| 18 | 3.656 92.86 | 3.406 86.51 | 3.093 78.56 | 2.972 75.49 | 2.652 67.36 | A6D18DS29A2 | A6D18DS29B2 | A6D18DS29C2 |
| 22 | 4.280 108.71 | 4.030 102.36 | 3.717 94.41 | 3.596 91.34 | 3.276 83.21 | A6D22DS29A2 | A6D22DS29B2 | A6D22DS29C2 |
| 25 | 4.748 120.60 | 4.498 114.25 | 4.185 106.30 | 4.064 103.23 | 3.744 95.10 | A6D25DS29A2 | A6D25DS29B2 | A6D25DS29C2 |
| 28 | 5.216 132.49 | 4.966 126.14 | 4.653 118.19 | 4.532 115.11 | 4.212 106.98 | A6D28DS29A2 | A6D28DS29B2 | A6D28DS29C2 |
| 36 | 6.464 164.19 | 6.214 157.84 | 5.901 149.89 | 5.780 146.81 | 5.460 138.68 | A6D36DS29A2 | A6D36DS29B2 | A6D36DS29C2 |
| 43 | 7.556 191.92 | 7.306 185.57 | 6.993 177.62 | 6.872 174.55 | 6.552 166.42 | A6D43DS29A2 | A6D43DS29B2 | A6D43DS29C2 |
| Tail Length .220" [5.59] (DIM "J") | | | | | | | | |
| 6 | 1.784 45.31 | 1.534 38.96 | 1.221 31.01 | 1.100 27.94 | 0.780 19.81 | A6D06DS29A3 | A6D06DS29B3 | A6D06DS29C3 |
| 10 | 2.408 61.16 | 2.158 54.81 | 1.845 46.86 | 1.724 43.79 | 1.404 35.66 | A6D10DS29A3 | A6D10DS29B3 | A6D10DS29C3 |
| 12 | 2.720 69.09 | 2.470 62.74 | 2.157 54.79 | 2.036 51.71 | 1.716 43.59 | A6D12DS29A3 | A6D12DS29B3 | A6D12DS29C3 |
| 15 | 3.188 80.98 | 2.938 74.63 | 2.625 66.68 | 2.504 63.60 | 2.184 55.47 | A6D15DS29A3 | A6D15DS29B3 | A6D15DS29C3 |
| 18 | 3.656 92.86 | 3.406 86.51 | 3.093 78.56 | 2.972 75.49 | 2.652 67.36 | A6D18DS29A3 | A6D18DS29B3 | A6D18DS29C3 |
| 22 | 4.280 108.71 | 4.030 102.36 | 3.717 94.41 | 3.596 91.34 | 3.276 83.21 | A6D22DS29A3 | A6D22DS29B3 | A6D22DS29C3 |
| 25 | 4.748 120.60 | 4.498 114.25 | 4.185 106.30 | 4.064 103.23 | 3.744 95.10 | A6D25DS29A3 | A6D25DS29B3 | A6D25DS29C3 |
| 28 | 5.216 132.49 | 4.966 126.14 | 4.653 118.19 | 4.532 115.11 | 4.212 106.98 | A6D28DS29A3 | A6D28DS29B3 | A6D28DS29C3 |
| 36 | 6.464 164.19 | 6.214 157.84 | 5.901 149.89 | 5.780 146.81 | 5.460 138.68 | A6D36DS29A3 | A6D36DS29B3 | A6D36DS29C3 |
| 43 | 7.556 191.92 | 7.306 185.57 | 6.993 177.62 | 6.872 174.55 | 6.552 166.42 | A6D43DS29A3 | A6D43DS29B3 | A6D43DS29C3 |
| Tail Length .560" [14.22] (DIM "J") For Wire Wrap Termination | | | | | | | | |
| 6 | 1.784 45.31 | 1.534 38.96 | 1.221 31.01 | 1.100 27.94 | 0.780 19.81 | A6D06WW29A3 | A6D06WW29B3 | - |
| 10 | 2.408 61.16 | 2.158 54.81 | 1.845 46.86 | 1.724 43.79 | 1.404 35.66 | A6D10WW29A3 | A6D10WW29B3 | - |
| 12 | 2.720 69.09 | 2.470 62.74 | 2.157 54.79 | 2.036 51.71 | 1.716 43.59 | A6D12WW29A3 | A6D12WW29B3 | - |
| 15 | 3.188 80.98 | 2.938 74.63 | 2.625 66.68 | 2.504 63.60 | 2.184 55.47 | A6D15WW29A3 | A6D15WW29B3 | - |
| 18 | 3.656 92.86 | 3.406 86.51 | 3.093 78.56 | 2.972 75.49 | 2.652 67.36 | A6D18WW29A3 | A6D18WW29B3 | - |
| 22 | 4.280 108.71 | 4.030 102.36 | 3.717 94.41 | 3.596 91.34 | 3.276 83.21 | A6D22WW29A3 | A6D22WW29B3 | - |
| 25 | 4.748 120.60 | 4.498 114.25 | 4.185 106.30 | 4.064 103.23 | 3.744 95.10 | A6D25WW29A3 | A6D25WW29B3 | - |
| 28 | 5.216 132.49 | 4.966 126.14 | 4.653 118.19 | 4.532 115.11 | 4.212 106.98 | A6D28WW29A3 | A6D28WW29B3 | - |
| 36 | 6.464 164.19 | 6.214 157.84 | 5.901 149.89 | 5.780 146.81 | 5.460 138.68 | A6D36WW29A3 | A6D36WW29B3 | - |
| 43 | 7.556 191.92 | 7.306 185.57 | 6.993 177.62 | 6.872 174.55 | 6.552 166.42 | A6D43WW29A3 | A6D43WW29B3 | - |

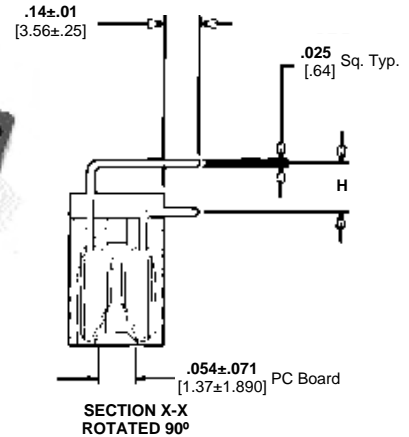
Solder Type Board-to-Board Connectors

Electronics

Modified Bellows Connectors .156 x .200 [3.96 x 5.08] Centerline, .156 x .150 [3.96 x 3.81], Right Angle, Dip Solder Tails

Product Facts

- Recognized under the Component Program of Underwriters Laboratories Inc., File No. E60980 
- Certified by Canadian Standards Association, File No. LR49571 



Physical Properties:

Insulation Resistance—5000 megohms minimum.

Insertion/Withdrawal Force (Daughter Card)—8 oz./2 oz. [35.6 N/ 8.9 N] average contact pair using .0620 [1.57] steel blade.

Insulator Body—Glass filled thermoplastic, UL rating 94V-0. High temp. plastic option is available; add suffix M399 to part number.

Color—Black

Contacts—High strength copper alloy.

Contact Plating—.000050 [0.00127] nickel underplate with .000030 [0.00076] gold in the mating area, tin/lead on tails, .000100 [0.00254] minimum

Electrical Properties:

Operation Voltage—1500 VDC (sea level)

Current Rating—3 Amperes

Initial Contact Resistance—10 milliohms

Environmental Properties:

Operating Temperature—-55°C to +125°C

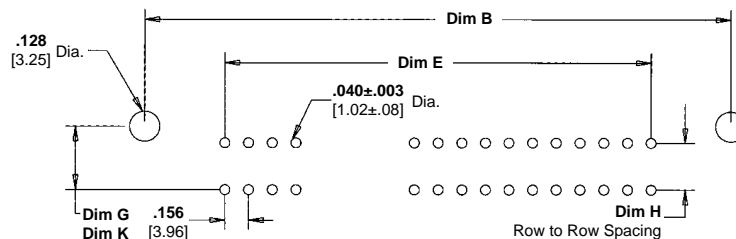
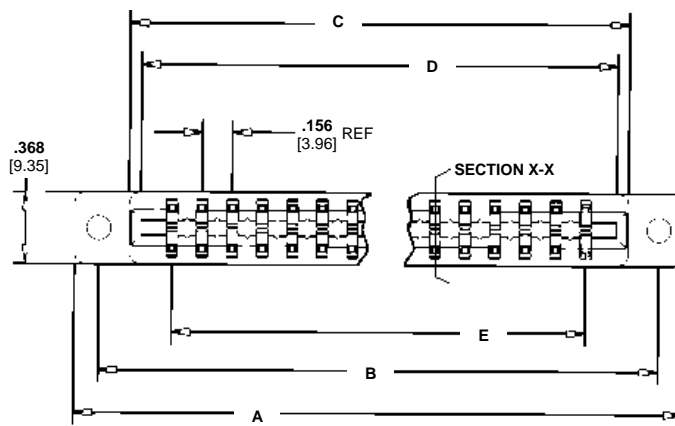
Temperature Cycling—MIL-STD-202 method 107

Vibration—MIL-STD-202 method 204

Related Product Data:

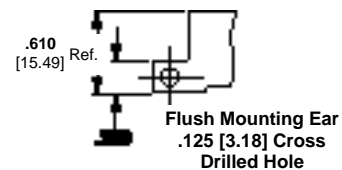
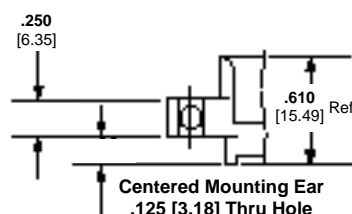
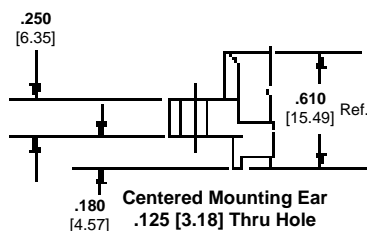
Polarization Key—page 57

Daughter Card Edge Pattern—page 57



Dim G - Centered Mounting Ear .125 [3.18] Cross Drilled Hole Only
Dim K - Flush Mounting Ear .125 [3.18] Cross Drilled Hole Only

Mounting Styles



.156" [3.96] Centerline / .200" [5.08] and .150" [3.81] Row-to-Row (Dim. "H") Spacing

| No. of Dual Readout Positions | Dimensions | | | | | | Mounting Ear Options | | | | |
|---|-----------------|-----------------|-----------------|-----------------|-----------------|------------------------------|---------------------------|--|------------------|---|--|
| | A | B | C | D | E | Centered Mounting Ear Only G | Flush Mounting Ear Only K | Centered Mounting Ear .125" [3.18] Thru Hole | No Mounting Ears | Centered Mounting Ear .125" [3.18] Cross-Drilled Hole | Flush Mounting Ear .125" [3.18] Cross-Drilled Hole |
| .200" [5.08] Row-to-Row (Dim. "H") Spacing | | | | | | | | | | | |
| 6 | 1.784 45.31 | 1.534 38.96 | 1.221 31.01 | 1.100 27.94 | 0.780 19.81 | 0.470 11.94 | 0.290 7.37 | A6D06RA29A | A6D06RA29C | A6D06RA29E | A6D06RA29F |
| 10 | 2.408 61.16 | 2.158 54.81 | 1.845 46.86 | 1.724 43.79 | 1.404 35.66 | 0.470 11.94 | 0.290 7.37 | A6D10RA29A | A6D10RA29C | A6D10RA29E | A6D10RA29F |
| 12 | 2.720 69.09 | 2.470 62.74 | 2.157 54.79 | 2.036 51.71 | 1.716 43.59 | 0.470 11.94 | 0.290 7.37 | A6D12RA29A | A6D12RA29C | A6D12RA29E | A6D12RA29F |
| 15 | 3.188 80.98 | 2.938 74.63 | 2.625 66.68 | 2.504 63.60 | 2.184 55.47 | 0.470 11.94 | 0.290 7.37 | A6D15RA29A | A6D15RA29C | A6D15RA29E | A6D15RA29F |
| 18 | 3.656 92.86 | 3.406 86.51 | 3.093 78.56 | 2.972 75.49 | 2.652 67.36 | 0.470 11.94 | 0.290 7.37 | A6D18RA29A | A6D18RA29C | A6D18RA29E | A6D18RA29F |
| 22 | 4.280 108.71 | 4.030 102.36 | 3.717 94.41 | 3.596 91.34 | 3.276 83.21 | 0.470 11.94 | 0.290 7.37 | A6D22RA29A | A6D22RA29C | A6D22RA29E | A6D22RA29F |
| 25 | 4.748 120.60 | 4.498 114.25 | 4.185 106.30 | 4.064 103.23 | 3.744 95.10 | 0.470 11.94 | 0.290 7.37 | A6D25RA29A | A6D25RA29C | A6D25RA29E | A6D25RA29F |
| 28 | 5.216 132.49 | 4.966 126.14 | 4.653 118.19 | 4.532 115.11 | 4.212 106.98 | 0.470 11.94 | 0.290 7.37 | A6D28RA29A | A6D28RA29C | A6D28RA29E | A6D28RA29F |
| 36 | 6.464 164.19 | 6.214 157.84 | 5.901 149.89 | 5.780 146.81 | 5.460 138.68 | 0.470 11.94 | 0.290 7.37 | A6D36RA29A | A6D36RA29C | A6D36RA29E | A6D36RA29F |
| 40 | 7.088 180.04 | 6.838 173.69 | 6.525 165.74 | 6.404 162.66 | 6.084 154.53 | 0.470 11.94 | 0.290 7.37 | A6D40RA29A | A6D40RA29C | A6D40RA29E | A6D40RA29F |
| 43 | 7.556 191.92 | 7.306 185.57 | 6.993 177.62 | 6.872 174.55 | 6.552 166.42 | 0.470 11.94 | 0.290 7.37 | A6D43RA29A | A6D43RA29C | A6D43RA29E | A6D43RA29F |
| .150" [3.81] Row-to-Row (Dim. "H") Spacing | | | | | | | | | | | |
| 6 | 1.784 45.31 | 1.534 38.96 | 1.221 31.01 | 1.100 27.94 | 0.780 19.81 | 0.420 10.67 | 0.240 6.10 | A6D06RA29AM233 | A6D06RA29CM233 | A6D06RA29EM233 | A6D06RA29FM233 |
| 10 | 2.408 61.16 | 2.158 54.81 | 1.845 46.86 | 1.724 43.79 | 1.404 35.66 | 0.420 10.67 | 0.240 6.10 | A6D10RA29AM233 | A6D10RA29CM233 | A6D10RA29EM233 | A6D10RA29FM233 |
| 12 | 2.720 69.09 | 2.470 62.74 | 2.157 54.79 | 2.036 51.71 | 1.716 43.59 | 0.420 10.67 | 0.240 6.10 | A6D12RA29AM233 | A6D12RA29CM233 | A6D12RA29EM233 | A6D12RA29FM233 |
| 15 | 3.188 80.98 | 2.938 74.63 | 2.625 66.68 | 2.504 63.60 | 2.184 55.47 | 0.420 10.67 | 0.240 6.10 | A6D15RA29AM233 | A6D15RA29CM233 | A6D15RA29EM233 | A6D15RA29FM233 |
| 18 | 3.656 92.86 | 3.406 86.51 | 3.093 78.56 | 2.972 75.49 | 2.652 67.36 | 0.420 10.67 | 0.240 6.10 | A6D18RA29AM233 | A6D18RA29CM233 | A6D18RA29EM233 | A6D18RA29FM233 |
| 22 | 4.280 108.71 | 4.030 102.36 | 3.717 94.41 | 3.596 91.34 | 3.276 83.21 | 0.420 10.67 | 0.240 6.10 | A6D22RA29AM233 | A6D22RA29CM233 | A6D22RA29EM233 | A6D22RA29FM233 |
| 25 | 4.748 120.60 | 4.498 114.25 | 4.185 106.30 | 4.064 103.23 | 3.744 95.10 | 0.420 10.67 | 0.240 6.10 | A6D25RA29AM233 | A6D25RA29CM233 | A6D25RA29EM233 | A6D25RA29FM233 |
| 28 | 5.216 132.49 | 4.966 126.14 | 4.653 118.19 | 4.532 115.11 | 4.212 106.98 | 0.420 10.67 | 0.240 6.10 | A6D28RA29AM233 | A6D28RA29CM233 | A6D28RA29EM233 | A6D28RA29FM233 |
| 36 | 6.464 164.19 | 6.214 157.84 | 5.901 149.89 | 5.780 146.81 | 5.460 138.68 | 0.420 10.67 | 0.240 6.10 | A6D36RA29AM233 | A6D36RA29CM233 | A6D36RA29EM233 | A6D36RA29FM233 |
| 40 | 7.088 180.04 | 6.838 173.69 | 6.525 165.74 | 6.404 162.66 | 6.084 154.53 | 0.420 10.67 | 0.240 6.10 | A6D40RA29AM233 | A6D40RA29CM233 | A6D40RA29EM233 | A6D40RA29FM233 |
| 43 | 7.556 191.92 | 7.306 185.57 | 6.993 177.62 | 6.872 174.55 | 6.552 166.42 | 0.420 10.67 | 0.240 6.10 | A6D43RA29AM233 | A6D43RA29CM233 | A6D43RA29EM233 | A6D43RA29FM233 |

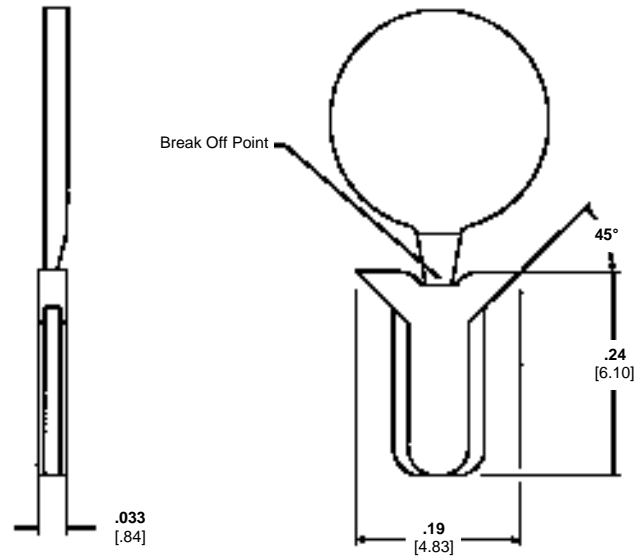
Solder Type Board-to-Board Connectors

Electronics

Description/Application

Tyco Electronics can provide polarization keys in the basic configuration shown on this page. Our Modified Bellows and Cantilever Beam Series Card Edge Connectors use these keys. The part number and the connector series for which it was designed are listed in the table below.

Card Edge Polarization Keys

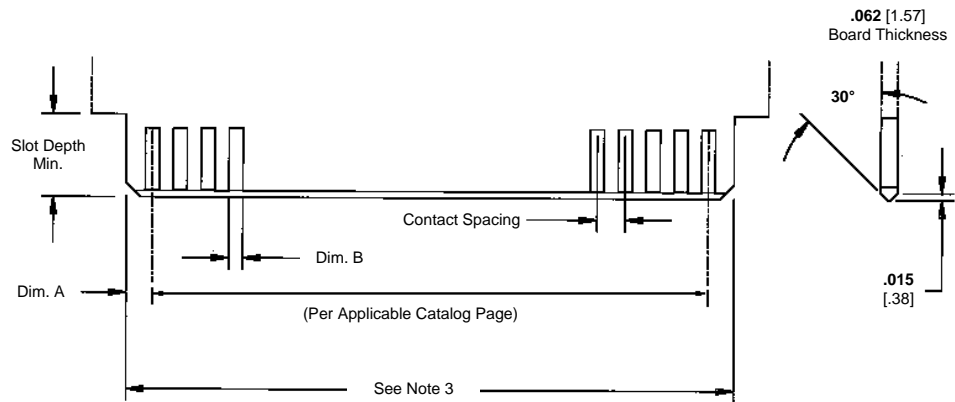


Ordering Information

| Acquired Part Number | Used on Connector Series | Shown on Pages |
|----------------------|--------------------------|----------------|
| 98014-01 | Modified Bellows | 41-56 |
| 98014-01 | Cantilever Beam | 28-40 |

Card Edge Connectors Recommended Daughter Card Edge Pattern

Per MIL-C-21097E



Daughter Card

| Contact Spacing Non-Accum. | Dim A ±.005 (.13) | Dim B |
|----------------------------|-------------------|-------------|
| .100 [2.54] | .093 [2.36] | .052 [1.32] |
| .125 [3.18] | .093 [2.36] | .052 [1.32] |
| .156 [3.96] | .105* [2.67] | .094 [2.39] |

* Except MIL-C-21097E 8-4 which is .070 [1.78]

NOTES:

- Dimensions are in inches
- Unless otherwise specified, tolerance is ±.005 [0.13 mm] for three place decimals.
- Number of contact fingers shall be the same as the corresponding printed wiring connector.

Product Facts

- Low profile housing is .460 [11.68] deep
- 6 through 43 dual positions on .156 [3.96] centerline; 6 through 50 dual positions on .125 [3.18] centerline
- Solder eyelet for wire-to-board or solder post for mother-daughter board application
- Selective gold plating of contact area for high performance at low cost
- Alternate platings are available on request
- Contacts bifurcated for redundancy
- Tin plate for high solderability of solder eyelets and posts
- Accepts .055-.070 [1.40-1.78] thick printed circuit boards
- Housings available with or without mounting ears
- Intercontact keying available
- UL 94V-0 rated, glass-filled polyester housings
- Variety of solder post lengths
- 5 ampere current rating per contact*
- Recognized under the Component Program of Underwriters Laboratories Inc. File No. E28476



For printed circuit board packaging, AMP Low Profile Edge Connectors provide high performance, low cost connections on .125 [3.18] and .156 [3.96] centerline spacings. .100 [2.54] centerline connectors can be made available, consult Tyco Electronics.

Mounted connector housings extend only .460 [11.68] from the mother board to allow efficient use of available space.

These low profile connectors are available in 6 through 43 dual position sizes on .156 [3.96] centerline spacing and with 6 through 50 dual positions on .125 [3.18] centers. Connectors are supplied

with either solder posts for mother-daughter board applications or solder eyelet contacts for wire-to-board use.

Low Profile Edge Connectors feature clear slot entry and accept .055-.070 [1.40-1.78] thick double-sided printed circuit boards. Solder posts are available with .150 [3.18] and .180 [4.57] long tails on .140 [3.56] or .200 [5.08] row-to-row spacing.

Impact-resistant thermo-plastic housing, UL rated 94V-0, have molded-in cavity identification and are available with or without mounting ears. Additional features of the housings include intercontact keying

provisions, probe slots and identification of number one position.

The precision formed contacts made of phosphor bronze are gold plated on the contact mating surface only. This selective plating provides high reliability while maintaining low cost. Solder eyelets and posts are tin plated for excellent solderability. The contact is bifurcated for redundancy. Shorting contacts are available.

All connector configurations are furnished preloaded. Selectively loaded connectors can be made available for added economy.

*Consult Tyco Electronics engineering when paralleling contacts for power applications.

Electronics

Low Profile Connectors, .125 [3.18] Centerline

Material and Finish:

Housing—Green, glass-filled polyester

Contacts—Phosphor bronze, duplex plated .000030 [0.00076] gold in contact area; .000100 [0.00254] bright tin on posts, with entire contact under-plated .000030 [0.00076] nickel

Related Product Data:

Keying Plug—page 63

PC Board Hole Layouts—See below

PC Board Edge Pattern—page 63

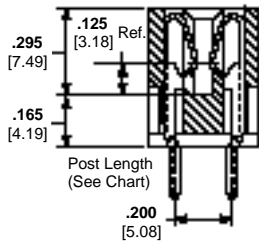
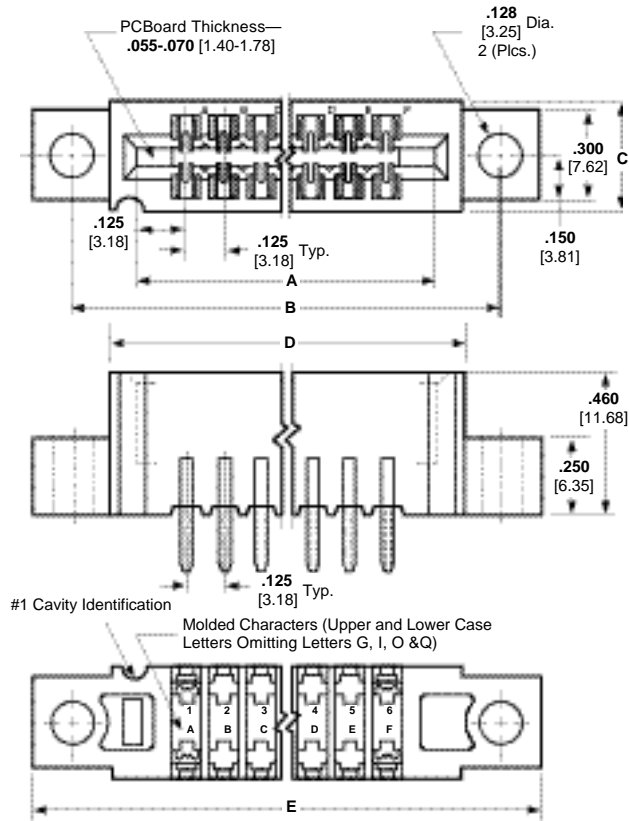
Technical Documents:

(pages 186, 187):

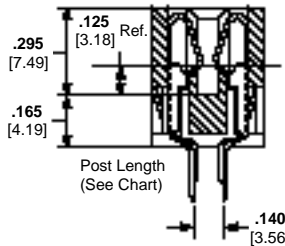
Product Specification

108-9044

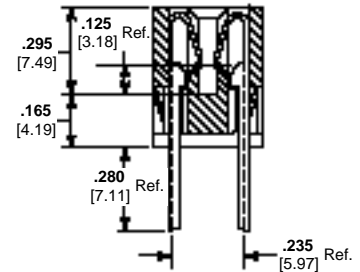
Instruction Sheet 408-7772



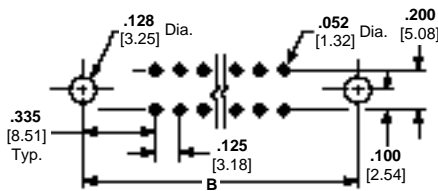
Flow Solder Post
.200 [5.08] Row-to-Row Spacing



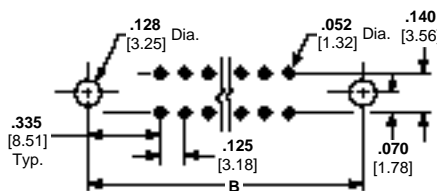
Flow Solder Post
.140 [3.56] Row-to-Row Spacing



Solder Eyelet Contact
.235 [5.97] Row-to-Row Spacing



Recommended PC Board Hole Layout



Recommended PC Board Hole Layout

**Flow Solder Post
.200 [5.08] Row-to-Row
Spacing**

Low Profile Connectors, .125 [3.18] Centerline (Continued)

Solder Type Board-to-Board Connectors

| No. of Dual Positions | Dimensions | | | | | Post Length* | With Mounting Ears | Without Mounting Ears |
|-----------------------|------------|--------|-------|--------|--------|--------------|--------------------|-----------------------|
| | A | B | C | D | E | | | |
| 6 | .875 | — | .370 | 1.035 | — | .150 | — | 2-530671-1 |
| | 22.23 | | 9.40 | 26.29 | | | | |
| 10 | 1.375 | 1.795 | .370 | 1.535 | 2.055 | .150 | — | 2-530671-2 |
| | 34.93 | 45.59 | 9.40 | 38.99 | 52.20 | | | |
| 15 | 2.000 | 2.420 | .370 | 2.160 | 2.680 | .150 | — | 2-530671-3 |
| | 50.80 | 61.47 | 9.40 | 54.86 | 68.07 | | | |
| 18 | 2.375 | 2.795 | .370 | 2.535 | 3.055 | .180 | 2-530663-4 | 2-530671-4 |
| | 60.33 | 70.99 | 9.40 | 64.39 | 77.60 | | | |
| 22 | 2.875 | 3.295 | .370 | 3.035 | 3.555 | .150 | 2-530662-5 | 2-530671-5 |
| | 73.03 | 83.69 | 9.40 | 77.09 | 90.30 | | | |
| 24 | 3.125 | — | .370 | 3.285 | — | .150 | — | 3-530671-3 |
| | 79.38 | | 9.40 | 83.44 | | | | |
| 28 | 3.625 | 4.045 | .370 | 3.785 | 4.305 | .150 | 2-530662-6 | 2-530671-6 |
| | 92.08 | 102.74 | 9.40 | 96.14 | 109.35 | | | |
| 30 | 3.875 | — | .370 | 4.035 | — | .150 | — | 2-530671-7 |
| | 98.43 | | 9.40 | 102.49 | | | | |
| 36 | 4.625 | 5.045 | .370 | 4.785 | 5.305 | .150 | — | 2-530671-9 |
| | 117.48 | 128.14 | 9.40 | 121.54 | 134.75 | | | |
| 40 | 5.125 | 5.545 | .437 | 5.285 | 5.805 | .150 | — | 3-530671-0 |
| | 130.18 | 140.84 | 11.10 | 134.24 | 147.45 | | | |
| 50 | 6.375 | 6.795 | .437 | 6.535 | 7.055 | .150 | 3-530662-2 | — |
| | 161.93 | 172.59 | 11.10 | 165.99 | 179.20 | | | |

**Flow Solder Post
.140 [3.56] Row-to-Row
Spacing**

| No. of Dual Positions | Dimensions | | | | | Post Length* | With Mounting Ears | Without Mounting Ears |
|-----------------------|------------|--------|-------|--------|--------|--------------|--------------------|-----------------------|
| | A | B | C | D | E | | | |
| 15 | 2.000 | — | .370 | 2.160 | — | .150 | — | 2-530673-3 |
| | 50.80 | | 9.40 | 54.86 | | | | |
| 28 | 3.625 | — | .370 | 3.785 | — | .150 | — | 2-530673-6 |
| | 92.08 | | 9.40 | 96.14 | | | | |
| 50 | 6.375 | 6.795 | .437 | 6.535 | 7.055 | .180 | 2-530674-6 | — |
| | 161.93 | 172.59 | 11.10 | 165.99 | 179.20 | | | |

**Solder Eyelet Contact
.235 [5.97] Row-to-Row
Spacing**

| No. of Dual Positions | Dimensions | | | | | With Mounting Ears |
|-----------------------|------------|--------|-------|--------|--------|--------------------|
| | A | B | C | D | E | |
| 15 | 2.000 | 2.420 | .370 | 2.160 | 2.680 | 2-530664-3 |
| | 50.80 | 61.47 | 9.40 | 54.86 | 68.07 | |
| 22 | 2.875 | 3.295 | .370 | 3.035 | 3.555 | 2-530664-5 |
| | 73.02 | 83.69 | 9.40 | 77.08 | 90.29 | |
| 28 | 3.625 | 4.045 | .370 | 3.785 | 4.305 | 2-530664-6 |
| | 92.08 | 102.74 | 9.40 | 96.14 | 109.35 | |
| 40 | 5.125 | 5.545 | .437 | 5.285 | 5.805 | 3-530664-0 |
| | 130.17 | 140.84 | 11.10 | 134.23 | 147.44 | |
| 50 | 6.375 | 6.795 | .437 | 6.535 | 7.055 | 3-530664-2 |
| | 161.92 | 172.59 | 11.10 | 165.98 | 179.19 | |

*Metric equivalents for post length are .150 = [3.81]; .180 = [4.57].

Note: Other connector sizes can be made available, consult Tyco Electronics.

Material and Finish:

Housing—Green, glass-filled polyester

Contacts—Phosphor bronze, duplex plated .000030 [0.00076] gold in contact area; .000100 [0.00254] bright tin on posts, with entire contact under-plated .000030 [0.00076] nickel

Insert—Brass

Related Product Data:

Keying Plug—page 63

PC Board Hole Layouts—See below

PC Board Edge Pattern—page 63

Technical Documents:

(pages 186, 187):

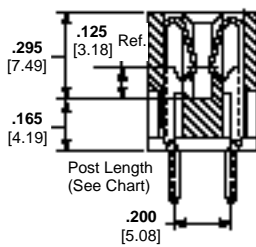
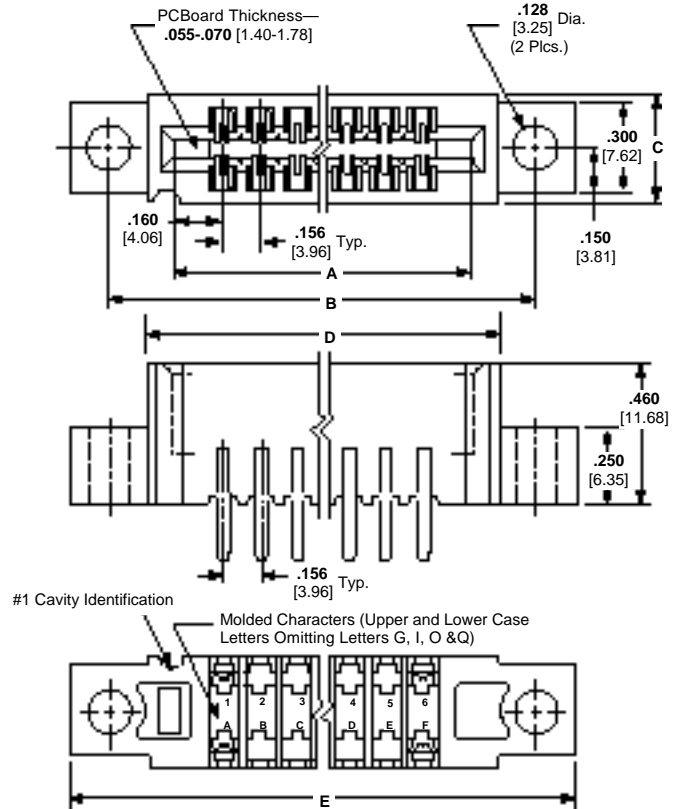
Product Specification
108-9044

Instruction Sheet 408-7772

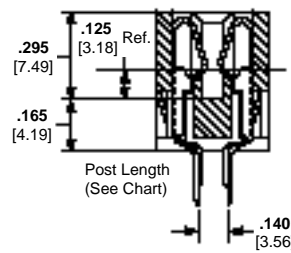
Mounting Ear with Insert



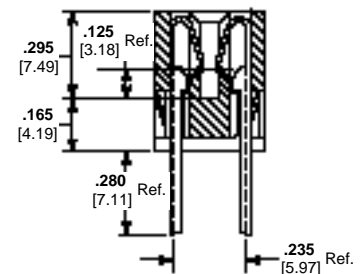
Threaded Inserts
4-40 NC-2B
(2 per connector)



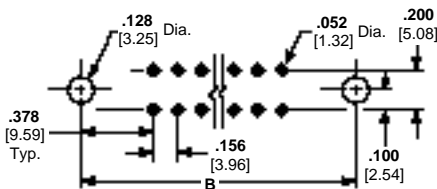
Flow Solder Post
.200 [5.08] Row-to-Row Spacing



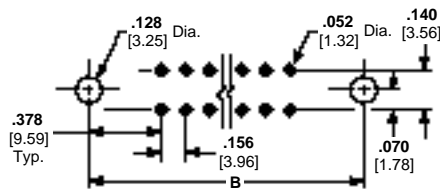
Flow Solder Post
.140 [3.56] Row-to-Row Spacing



Solder Eyelet Contact
.235 [5.97] Row-to-Row Spacing



Recommended PC Board Hole Layout



Recommended PC Board Hole Layout

**Flow Solder Post
.200 [5.08] Row-to-Row
Spacing**

Low Profile Connectors, .156 [3.96] Centerline (Continued)

Solder Type Board-to-Board Connectors

| No. of Dual Positions | Dimensions | | | | | Post Length* | With Mounting Ears | With Mounting Ears and Inserts | Without Mounting Ears |
|-----------------------|------------|--------|-------|--------|--------|--------------|--------------------|--------------------------------|-----------------------|
| | A | B | C | D | E | | | | |
| 6 | 1.100 | 1.535 | .370 | 1.240 | 1.785 | .150 | 2-530655-1 | 2-530677-1 | — |
| | 27.94 | 38.99 | 9.40 | 31.50 | 45.34 | | 2-530689-11 | — | 2-530666-1 |
| 10 | 1.724 | 2.159 | .370 | 1.864 | 2.409 | .150 | 2-530655-2 | — | 2-530666-2 |
| | 43.79 | 54.84 | 9.40 | 47.35 | 61.19 | | .180 | 2-530656-2 | — |
| 12 | 2.036 | 2.471 | .370 | 2.176 | 2.721 | .150 | 2-530655-3 | — | 2-530666-3 |
| | 51.71 | 62.76 | 9.40 | 55.27 | 69.11 | | — | — | — |
| 15 | 2.504 | 2.939 | .370 | 2.644 | 3.189 | .150 | 2-530655-4 | — | 2-530666-4 |
| | 63.60 | 74.65 | 9.40 | 67.16 | 81.00 | | .180 | 2-530689-4 ¹ | — |
| 18 | 2.972 | 3.407 | .370 | 3.112 | 3.657 | .150 | 2-530655-5 | — | 2-530666-5 |
| | 75.49 | 86.54 | 9.40 | 79.04 | 92.89 | | .180 | — | — |
| 22 | 3.596 | 4.031 | .370 | 3.736 | 4.281 | .150 | 2-530655-6 | — | 2-530666-6 |
| | 91.34 | 102.39 | 9.40 | 94.89 | 108.74 | | .180 | 2-530689-6 ¹ | — |
| 25 | 4.064 | 4.499 | .370 | 4.204 | 4.749 | .150 | 2-530655-8 | — | 531433-1 ¹ |
| | 103.23 | 114.27 | 9.40 | 106.78 | 120.62 | | .180 | 2-530656-8 | — |
| 28 | 4.532 | 4.967 | .370 | 4.672 | 5.217 | .150 | 3-530655-2 | — | 3-530666-2 |
| | 115.11 | 126.16 | 9.40 | 118.67 | 132.51 | | .180 | 3-530656-2 | — |
| 30 | 4.844 | 5.279 | .437 | 4.984 | 5.529 | .150 | 2-530655-9 | — | 2-530666-9 |
| | 123.04 | 134.09 | 11.10 | 126.59 | 140.44 | | .180 | 2-530689-9 ¹ | — |
| 36 | 5.780 | 6.215 | .437 | 5.920 | 6.465 | .150 | 3-530655-0 | — | 531433-2 ¹ |
| | 146.18 | 157.86 | 11.10 | 150.37 | 164.21 | | .180 | 3-530689-0 ¹ | — |
| 43 | 6.872 | 7.307 | .437 | 7.012 | 7.557 | .150 | 3-530655-3 | 3-530677-3 | 3-530666-3 |
| | 174.55 | 185.60 | 11.10 | 178.10 | 191.95 | | .180 | 3-530656-3 | — |

**Flow Solder Post
.140 [3.56] Row-to-Row
Spacing
and
Solder Eyelet Contact
.235 [5.97] Row-to-Row
Spacing**

| No. of Dual Positions | Dimensions | | | | | Post Length* | Flow Solder Post | | Solder Eyelet Contact | |
|-----------------------|------------|--------|-------|--------|--------|--------------|--------------------|-----------------------|-----------------------|-----------------------|
| | A | B | C | D | E | | With Mounting Ears | Without Mounting Ears | With Mounting Ears | Without Mounting Ears |
| 6 | 1.100 | 1.535 | .370 | 1.240 | 1.785 | .150 | — | — | 2-530654-1 | — |
| | 27.94 | 38.99 | 9.40 | 31.50 | 45.34 | | — | — | — | — |
| 10 | 1.724 | 2.159 | .370 | 1.864 | 2.409 | .150 | 2-530657-2 | — | 2-530654-2 | — |
| | 43.79 | 54.84 | 9.40 | 47.35 | 61.19 | | .180 | 2-530657-4 | — | 2-530654-4 |
| 15 | 2.504 | 2.939 | .370 | 2.644 | 3.189 | .150 | — | 2-530669-4 | — | — |
| | 63.60 | 74.65 | 9.40 | 67.16 | 81.00 | | .180 | — | 2-530668-5 | 2-530654-5 |
| 18 | 2.972 | 3.407 | .370 | 3.112 | 3.657 | .150 | — | 2-530668-5 | 2-530654-5 | — |
| | 75.49 | 86.54 | 9.40 | 79.04 | 92.89 | | .180 | — | 2-530668-6 | 2-530654-6 |
| 22 | 3.596 | 4.031 | .370 | 3.736 | 4.281 | .150 | 2-530657-6 | 2-530668-6 | 2-530654-6 | — |
| | 91.34 | 102.39 | 9.40 | 94.89 | 108.74 | | .180 | — | — | 2-530654-7 |
| 24 | 3.908 | 4.343 | .370 | 4.048 | 4.593 | .150 | — | — | 2-530654-7 | — |
| | 99.26 | 110.31 | 9.40 | 102.81 | 116.66 | | .180 | — | — | — |
| 28 | 4.532 | 4.967 | .370 | 4.672 | 5.217 | .150 | 3-530657-2 | 3-530668-2 | 3-530654-2 | — |
| | 115.11 | 126.16 | 9.40 | 118.67 | 132.51 | | .180 | — | — | — |
| 30 | 4.844 | 5.279 | .437 | 4.984 | 5.529 | .150 | — | — | 2-530654-9 | — |
| | 123.04 | 134.09 | 11.10 | 126.59 | 140.44 | | .180 | — | — | 3-530654-0 |
| 36 | 5.780 | 6.215 | .437 | 5.920 | 6.465 | .150 | — | — | 3-530654-0 | — |
| | 146.81 | 155.58 | 11.10 | 150.36 | 164.21 | | .180 | — | 3-530669-0 | — |
| 43 | 6.872 | 7.307 | .437 | 7.012 | 7.557 | .150 | 3-530657-3 | — | 3-530654-3 | — |
| | 174.55 | 185.60 | 11.10 | 178.10 | 191.95 | | .180 | — | — | — |

*Metric equivalents for post length are .150 = [3.81]; .180 = [4.57].

¹For .040 [1.02] diameter hole.

Note: Other connector sizes can be made available, consult Tyco Electronics.

Keying Plug

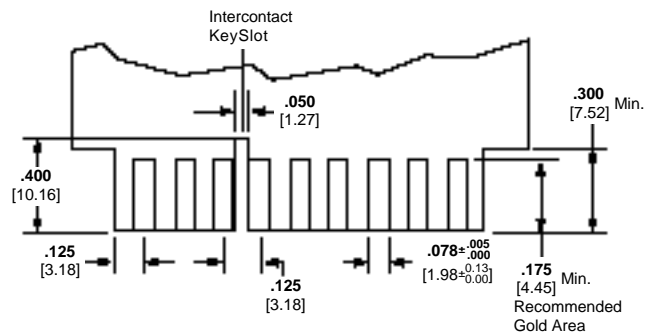
Material: Glass-filled nylon
Part No. 650025-2

Intercontact Key

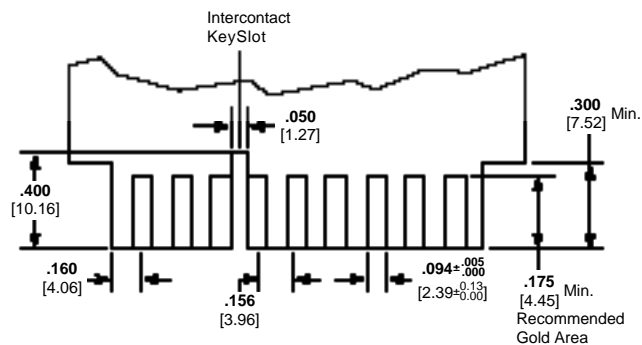


Recommended PC Board Edge Patterns

.125 [3.18] Centerline Boards



.156 [3.96] Centerline Boards

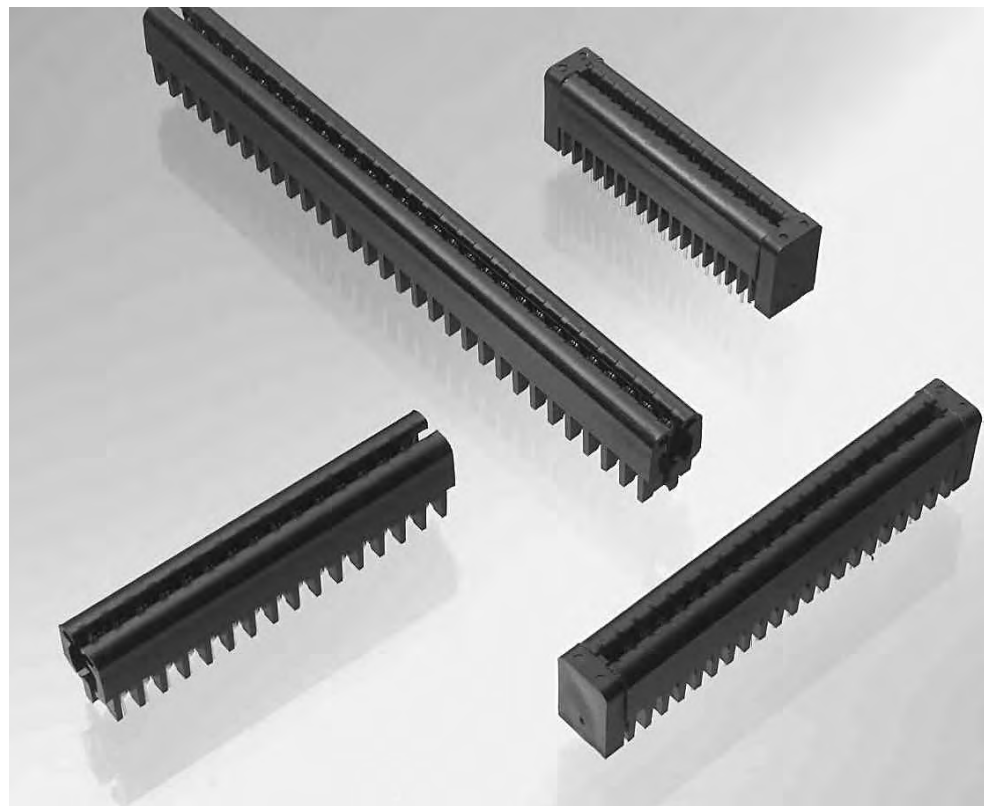


Product Facts

- Wide variety of sizes available from 3 dual positions and up—no initial tooling investment required for new versions
- Connectors can be selectively loaded with contacts in custom patterns
- Connectors tooled on all standard centerlines—
.100 [2.54], .125 [3.18],
.150 [3.81], .156 [3.96],
and .200 [5.08]
Note: .200 [5.08] centerline capabilities provided by loading every-other dual position of .100 [2.54] centerline housings.
- Closed card entry protects contacts and daughter board pads
- Adapts to a wide range of mother board thicknesses to .104 [2.64] maximum
- Phosphor bronze contacts selectively plated for top performance and maximum economy
- Protective channel helps prevent overstress of contacts
- Daughter board keying available in intercontact or on-contact styles
- Recognized under the Component Program of Underwriters Laboratories Inc.,
File No. E28476



*Consult Tyco Electronics engineering when paralleling contacts for power applications.



The AMP Twin Leaf Connector is a highly reliable, low-cost mother/daughter board connector designed for solid-state circuitry. The one-piece, multi-contact connector requires no front-end tooling. This versatile connector for double-sided printed circuit boards uses preloaded contacts and selective plating to give lowest applied cost. Critical contact areas are gold-over-nickel plated to provide positive electrical connection between contacts and daughter board pads. Contact posts are tin plated for efficient dip soldering to mother boards up to .104 [2.64] thick. The Twin Leaf Connector delivers high reliability because the contacts possess superior tolerance of environmental stresses including shock, vibration and variations of temperature and humidity. Other characteristics such as high insulation resistance, low

termination resistance, long life and moderate contact separation force meet industry requirements for reliability. Connectors are tooled in sizes from 3 through 80 dual-contact positions with contacts on .100 [2.54], .125 [3.18], .150 [3.81], .156 [3.96] or .200 [5.08] centers. Other sizes and custom-loaded contact patterns are available on request. The connector housing, made of glass-filled polyester with a UL 94V-0 rating, features a standoff which facilitates the use of a probe for electrical continuity checks without risk of damage to the contacts. A closed card-entry design of the housing protects the contacts and daughter board pads. Housings accept daughter boards ranging from .055 [1.40] to .070 [1.78] in thickness. Intercontact and on-contact keys are available for polarization of the housings.

Card guides or end caps make alignment of daughter board pads with Twin Leaf Connector contacts quick and easy.

Performance Specifications

Contact Rating*:

3 amperes continuous

Temperature Rating:

-55°C to +105°C

Insulation Resistance:

5,000 megohms

Dielectric Withstanding Voltage:

| Altitude | Test Voltage (AC, RMS) | |
|-----------------------|------------------------|-------------|
| | .100 [2.54] | .150 [3.81] |
| Sea Level | 1,000 | 1,500 |
| 50,000 ft 15 240 m | 400 | 600 |
| 70,000 ft 21 336 m | 280 | 400 |

Termination Resistance:

10 milliohms, max.

Durability: Tested to 100 cycles

(engage/withdraw)

Contact Plating: .000015 [0.00038]

selective gold plating on contact area; bright tin on solder tie

Twin Leaf Mother Board Connectors Without End Caps

**.100 [2.54], .125 [3.18],
.150 [3.81] and
.156 [3.96] Centerlines,
With Solder Posts**

Material and Finish:

Housing—Glass-filled polyester,
94V-0 rated

Contacts—Phosphor bronze, plated
.000015 [0.00038] gold in contact area;
tin on posts, with entire contact under-
plated .000030 [0.00076] nickel, except
where noted

Related Product Data:

Performance Specifications—
page 64

Card Guides—pages 70, 71

Keying Plugs—page 72

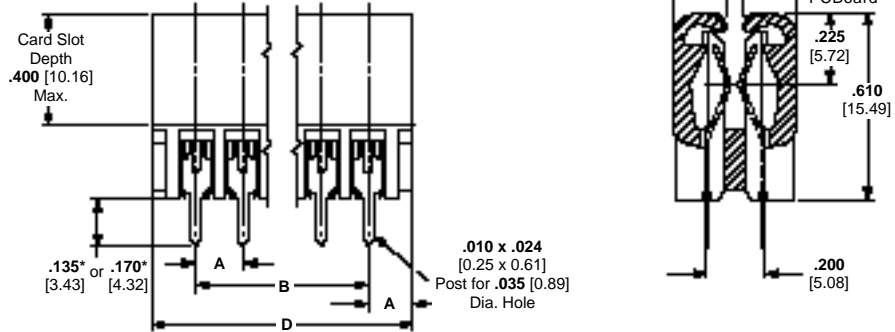
PC Board Hole Layouts—page 71

Technical Documents:

(pages 186, 187):

Product Specification
108-9027

Instruction Sheets 408-7479,
408-7498, 408-7506



*Post length: **.135 [3.43]** for **.150 [3.81]** and **.156 [3.96]** centerlines, except where noted;
.170 [4.32] for **.100 [2.54]** and **.125 [3.18]** centerlines, except where noted.

Twin Leaf Mother Board Connectors Without End Caps

Solder Type Board-to-Board Connectors

| No. of Dual Positions | A = .100 [2.54] Centerline Spacing | | | A = .125 [3.18] Centerline Spacing | | | A = .150 [3.81] Centerline Spacing | | | A = .156 [3.96] Centerline Spacing | | |
|-----------------------|------------------------------------|-----------------|--------------|------------------------------------|-----------------|-----------------------|------------------------------------|-----------------|-------------------------------------|------------------------------------|-----------------|--------------|
| | B | D | Part Numbers | B | D | Part Numbers | B | D | Part Numbers | B | D | Part Numbers |
| 2 | — | — | — | — | — | — | .300 7.62 | .600 15.24 | 1-583694-1 | — | — | — |
| 3 | .200 5.08 | .400 10.16 | 583485-6 | — | — | — | .300 7.62 | .600 15.24 | 645155-11 ³ | .312 7.92 | .624 15.85 | 4-583486-8 |
| 4 | — | — | — | — | — | — | .450 11.43 | .750 19.05 | 583407-5 | — | — | — |
| 5 | .400 10.16 | .600 15.24 | 583485-7 | — | — | — | .600 15.24 | .900 22.86 | 583407-6 | — | — | — |
| 8 | — | — | — | — | — | — | 1.050 26.67 | 1.350 34.29 | 583407-9 | — | — | — |
| 9 | — | — | — | 1.000 25.40 | 1.250 31.75 | 583533-7 | — | — | — | — | — | — |
| 10 | .900 22.86 | 1.100 27.94 | 1-583485-2 | — | — | — | — | — | — | 1.400 35.56 | 1.720 43.69 | 4-583486-1 |
| 11 | — | — | — | — | — | — | 1.500 38.10 | 1.800 45.72 | 1-583407-2 | — | — | — |
| 14 | 1.300 33.02 | 1.500 38.10 | 1-583485-6 | — | — | — | — | — | — | — | — | — |
| 15 | — | — | — | — | — | — | 2.100 53.34 | 2.400 60.96 | 1-583407-5 | — | — | — |
| 18 | — | — | — | 2.125 53.97 | 2.375 60.32 | 1-583533-6 | — | — | — | 2.652 67.36 | 2.964 75.28 | 3-583486-3 |
| 20 | — | — | — | — | — | — | 2.850 72.39 | 3.150 80.01 | 2-583407-0 530292-9 ³ | — | — | — |
| 22 | — | — | — | 2.625 66.67 | 2.875 73.02 | 2-583533-0 | — | — | — | — | — | — |
| 28 | — | — | — | — | — | — | 4.050 102.87 | 4.350 110.49 | 583407-1 | 4.212 106.99 | 4.524 114.91 | 2-583486-3 |
| 30 | — | — | — | 3.625 92.08 | 3.875 98.43 | 531534-2 ² | — | — | — | 4.524 114.91 | 4.836 122.83 | 2-583486-1 |
| 31 | — | — | — | — | — | — | 4.500 53.34 | 4.800 60.96 | 530292-3 ³ | — | — | — |
| 33 | — | — | — | — | — | — | — | — | — | 4.992 126.80 | 5.304 134.72 | 1-583486-8 |
| 36 | — | — | — | — | — | — | — | — | — | 5.460 138.68 | 5.772 146.61 | 1-583486-5 |
| 40 | — | — | — | 4.875 123.83 | 5.125 130.18 | 3-583533-8 | 5.850 148.59 | 6.150 156.21 | 3-583407-8 | 6.084 154.53 | 6.396 162.46 | 1-583486-1 |
| 43 | — | — | — | — | — | — | — | — | — | 6.552 166.42 | 6.864 174.35 | 583486-8 |
| 50 | 4.900 124.46 | 5.100 129.54 | 583485-3 | 6.130 155.70 | 6.380 162.05 | 5-583533-01 | 7.350 186.69 | 7.650 194.31 | 4-583407-8 | 7.640 194.06 | 7.960 202.18 | 583486-1 |
| 56 | — | — | — | — | — | — | — | — | — | 8.580 217.93 | 8.892 225.86 | 5-583486-0 |
| 65 | 6.400 162.56 | 6.600 167.64 | 5-583485-6 | — | — | — | — | — | — | — | — | — |
| 80 | 7.900 200.66 | 8.100 205.74 | 5-583485-5 | — | — | — | — | — | — | — | — | — |

¹Contacts are plated .000030 [0.00076] gold in contact area, tin on posts, with entire contact underplated .000030 [0.00076] nickel.

²Post length .135 [3.43]

³Post length .170 [4.32]

Note: Other connector sizes can be made available, consult Tyco Electronics.

Twin Leaf Mother Board Connectors With End Caps

**.100 [2.54], .125 [3.18],
.150 [3.81] and
.156 [3.96] Centerlines,
With Solder Posts**

Material and Finish:

Housing—Glass-filled polyester,
94V-0 rated

Contacts—Phosphor bronze, plated
.000015 [0.00038] gold in contact area;
tin on posts, with entire contact under-
plated .000030 [0.00076] nickel

Related Product Data:

Performance Specifications—
page 64

Keying Plugs—page 72

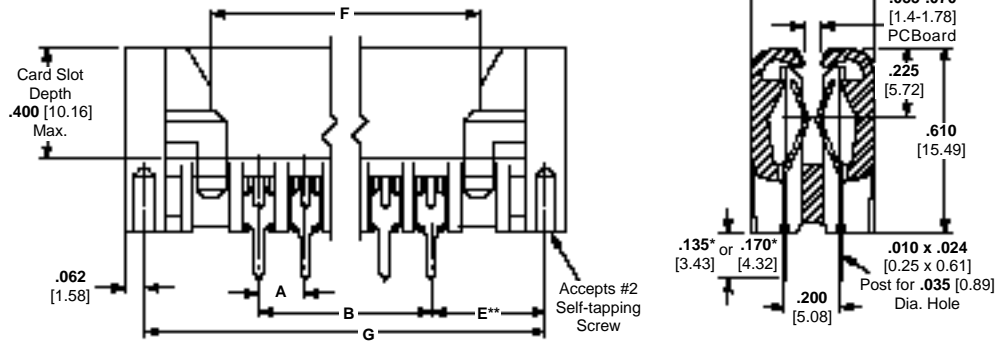
PC Board Hole Layouts—page 71

Technical Documents:

(pages 186, 187):

Product Specification
108-9027

Instruction Sheets 408-7479,
408-7498, 408-7506



*Post length: **.135 [3.43]** for **.150 [3.81]** and **.156 [3.96]** centerlines;
.170 [4.32] for **.100 [2.54]** and **.125 [3.18]** centerlines.

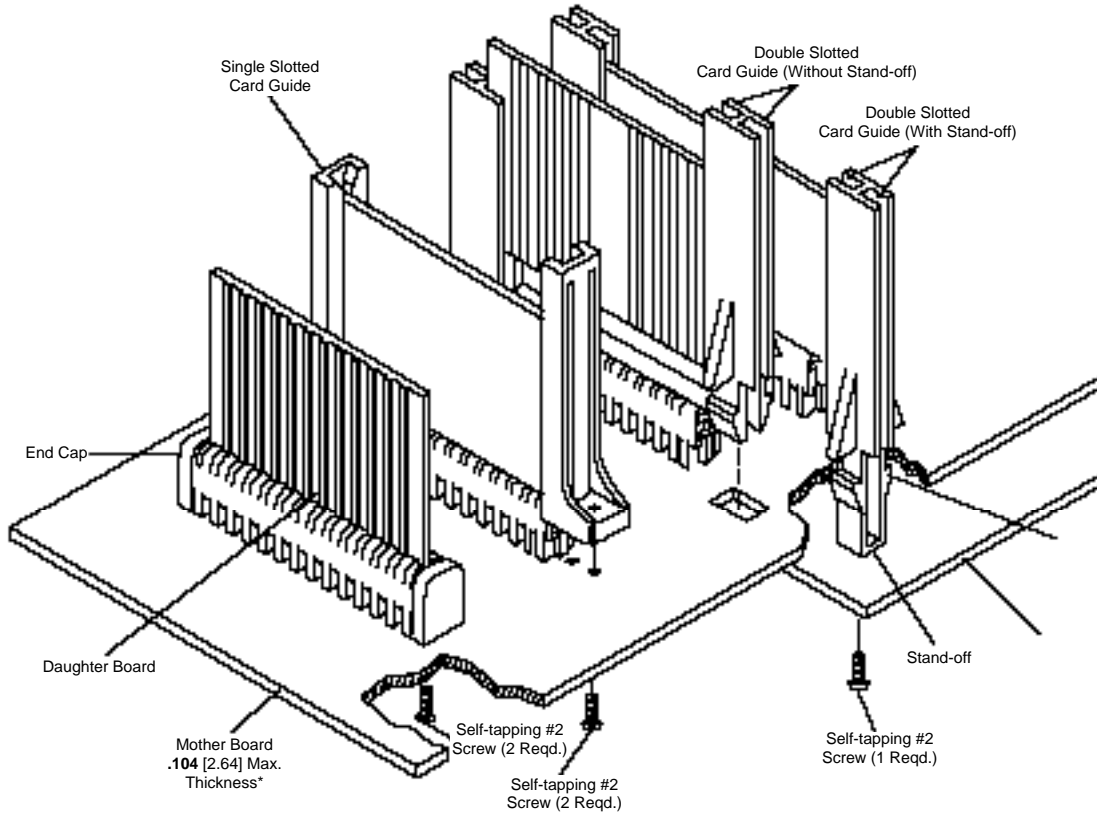
**See page 27 for dimensions.

| No. of Dual Pos. | A = .100 [2.54] Centerline Spacing | | | | A = .125 [3.18] Centerline Spacing | | | | A = .150 [3.81] Centerline Spacing | | | | A = .156 [3.96] Centerline Spacing | | | |
|------------------|------------------------------------|-----------------|-----------------|--------------|------------------------------------|-----------------|-----------------|--------------|------------------------------------|-----------------|-----------------|--------------|------------------------------------|-----------------|-----------------|--------------|
| | B | F | G | Part Numbers | B | F | G | Part Numbers | B | F | G | Part Numbers | B | F | G | Part Numbers |
| 3 | .200 5.03 | .400 10.16 | .734 18.64 | 583715-1 | — | — | — | — | — | — | — | — | — | — | — | — |
| 5 | .400 10.16 | .600 15.24 | .934 23.72 | 583715-3 | — | — | — | — | — | — | — | — | — | — | — | — |
| 6 | .500 12.70 | .700 17.78 | 1.034 26.26 | 583715-4 | .625 15.88 | .875 22.23 | 1.259 31.96 | 583679-5 | — | — | — | — | .780 19.81 | 1.092 27.74 | 1.538 39.07 | 583660-6 |
| 7 | .600 15.24 | .800 20.32 | 1.134 28.80 | 583715-5 | — | — | — | — | — | — | — | — | — | — | — | — |
| 9 | .800 20.32 | 1.000 25.40 | 1.334 33.88 | 583715-7 | — | — | — | — | — | — | — | — | — | — | — | — |
| 10 | .900 22.86 | 1.100 27.94 | 1.434 36.42 | 583715-8 | — | — | — | — | — | — | — | — | 1.404 35.66 | 1.716 43.59 | 2.162 54.91 | 1-583660-0 |
| 12 | 1.100 27.94 | 1.300 33.02 | 1.634 41.50 | 1-583715-0 | — | — | — | — | — | — | — | — | 1.716 43.58 | 2.028 51.51 | 2.474 62.84 | 1-583660-2 |
| 13 | 1.200 30.48 | 1.400 35.56 | 1.734 44.04 | 1-583715-1 | — | — | — | — | — | — | — | — | — | — | — | — |
| 14 | — | — | — | — | — | — | — | — | 1.950 49.53 | 2.250 57.15 | 2.684 68.17 | 1-583692-3 | 2.028 51.51 | 2.340 59.44 | 2.786 70.76 | 1-583660-4 |
| 15 | 1.400 35.56 | 1.600 40.64 | 1.934 49.12 | 1-583715-3 | — | — | — | — | 2.100 53.34 | 2.400 60.96 | 2.834 71.98 | 1-583692-4 | 2.184 55.47 | 2.496 63.40 | 2.942 74.73 | 583660-2 |
| 17 | 1.600 40.64 | 1.800 45.72 | 2.134 54.20 | 1-583715-5 | 2.000 50.80 | 2.250 57.15 | 2.634 66.90 | 1-583679-6 | — | — | — | — | — | — | — | — |
| 18 | 1.700 43.18 | 1.900 48.26 | 2.234 56.74 | 1-583715-6 | 2.125 53.98 | 2.375 60.33 | 2.759 70.08 | 1-583679-7 | — | — | — | — | 2.652 67.36 | 2.964 75.28 | 3.410 86.61 | 1-583660-7 |
| 20 | 1.900 48.26 | 2.100 53.34 | 2.434 61.82 | 1-583715-8 | 2.375 60.33 | 2.625 66.68 | 3.009 76.43 | 1-583679-9 | — | — | — | — | — | — | — | — |
| 22 | — | — | — | — | — | — | — | — | — | — | — | — | 3.276 83.21 | 3.588 91.14 | 4.034 102.46 | 2-583660-1 |
| 25 | 2.400 60.96 | 2.600 66.04 | 2.934 74.52 | 2-583715-3 | 3.000 76.20 | 3.250 82.55 | 3.634 92.30 | 2-583679-4 | 3.600 91.44 | 3.900 99.06 | 4.334 110.08 | 2-583692-4 | 3.744 95.10 | 4.065 103.02 | 4.502 114.35 | 2-583660-4 |
| 26 | 2.500 63.50 | 2.700 68.58 | 3.034 77.05 | 2-583715-4 | — | — | — | — | — | — | — | — | — | — | — | — |
| 28 | 2.700 68.58 | 2.900 73.66 | 3.234 82.14 | 2-583715-6 | 3.375 85.73 | 3.625 92.08 | 4.009 101.83 | 2-583679-6 | — | — | — | — | 4.212 106.98 | 4.524 114.91 | 4.979 126.24 | 2-583660-7 |
| 30 | 2.900 73.66 | 3.100 78.74 | 3.434 87.22 | 2-583715-8 | — | — | — | — | 4.350 110.49 | 4.650 118.11 | 5.084 129.13 | 583692-1 | 4.524 114.91 | 4.836 122.83 | 5.282 134.16 | 2-583660-9 |
| 31 | 3.000 76.20 | 3.200 81.28 | 3.534 89.76 | 2-583715-9 | — | — | — | — | — | — | — | — | — | — | — | — |
| 32 | 3.100 78.74 | 3.300 83.82 | 3.634 92.30 | 3-583715-0 | — | — | — | — | — | — | — | — | 4.836 122.83 | 5.148 130.76 | 5.594 142.09 | 3-583660-1 |
| 33 | — | — | — | — | — | — | — | — | 4.800 121.92 | 5.100 129.54 | 5.534 140.56 | 3-583692-1 | — | — | — | — |
| 34 | 3.300 83.82 | 3.500 88.90 | 3.834 97.38 | 3-583715-2 | — | — | — | — | — | — | — | — | — | — | — | — |
| 35 | 3.400 83.36 | 3.600 91.44 | 3.934 99.92 | 3-583715-3 | — | — | — | — | 5.100 129.54 | 5.400 137.16 | 5.834 148.18 | 3-583692-3 | 5.304 134.72 | 5.616 142.64 | 6.062 153.97 | 3-583660-4 |
| 36 | 3.500 88.90 | 3.700 93.98 | 4.034 102.46 | 3-583715-4 | — | — | — | — | 5.250 133.35 | 5.550 140.97 | 5.984 151.99 | 3-583692-4 | 5.460 138.68 | 5.772 146.61 | 6.218 157.94 | 583660-1 |
| 40 | 3.900 99.06 | 4.100 104.14 | 4.434 112.62 | 3-583715-8 | 4.875 123.83 | 5.125 130.18 | 5.509 139.93 | 3-583679-8 | 5.850 148.59 | 6.150 156.21 | 6.584 167.23 | 3-583692-8 | — | — | — | — |
| 41 | 4.000 101.60 | 4.200 106.68 | 4.534 115.16 | 3-583715-9 | — | — | — | — | — | — | — | — | — | — | — | — |
| 43 | — | — | — | — | — | — | — | — | — | — | — | — | 6.552 166.42 | 6.864 174.35 | 7.310 185.67 | 4-583660-1 |
| 50 | 4.900 124.46 | 5.100 129.54 | 5.434 138.02 | 4-583715-8 | 6.125 155.58 | 6.375 161.93 | 6.759 171.68 | 4-583679-8 | 7.350 186.69 | 7.650 194.31 | 8.084 205.33 | 4-583692-8 | 7.644 194.16 | 7.956 202.08 | 8.402 213.41 | 4-583660-8 |
| 80 | 7.900 200.66 | 8.100 205.74 | 8.434 214.22 | 5-583715-7 | — | — | — | — | — | — | — | — | — | — | — | — |

Note: Other connector sizes can be made available, consult Tyco Electronics.

Twin Leaf Mother Board Connectors With End Caps (Continued)

Typical Connector and Card Guide Assembly



*Must be .063 [1.59] thick for use with Double Slotted Card Guides.

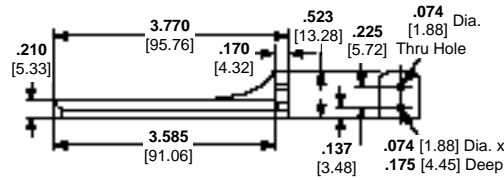
Card Guides

Material: Glass-filled nylon, black
Part No. 583671-1

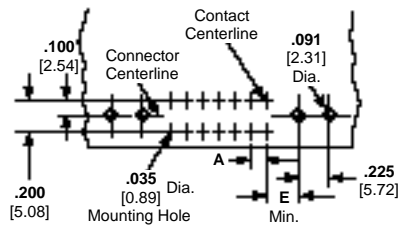
Related Product Data:
Connectors used with—page 65

Technical Documents:
(pages 186, 187):
Instruction Sheets 408-7498,
408-7506

Single Slotted



Single Slotted Card Guide and Connector Mounting



| Dimensions | |
|------------|------|
| A | E |
| .100 | .263 |
| 2.54 | 6.68 |
| .125 | .288 |
| 3.18 | 7.31 |
| .150 | .313 |
| 3.81 | 7.95 |
| .156 | .319 |
| 3.96 | 8.10 |

Electronics

Twin Leaf Mother Board Connectors (Continued)

Card Guides

(Continued)

Material: Nylon, natural

Part No. 583425-1

Related Product Data:

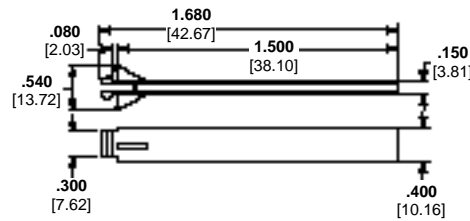
Connectors used with—page 65

Technical Documents:

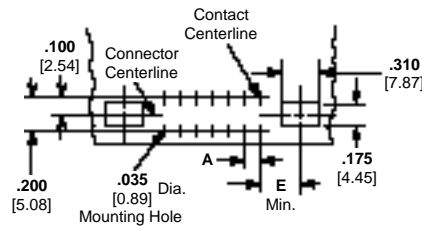
(pages 186, 187):

Instruction Sheets 408-7498,
408-7506

Double Slotted Without Stand-off



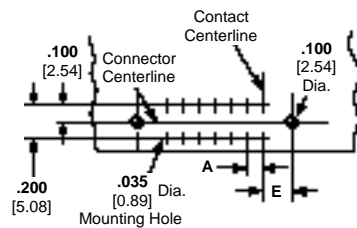
Double Slotted Card Guide and Connector Mounting



| Dimensions | |
|------------|------|
| A | E |
| .100 | .328 |
| 2.54 | 8.33 |
| .125 | .353 |
| 3.18 | 8.96 |
| .150 | .376 |
| 3.81 | 9.60 |
| .156 | .384 |
| 3.96 | 9.75 |

Note: Mother Board must be **.063** [1.59] thick for use with Double Slotted Card Guides.

Recommended PC Board Layout for Connectors With End Caps



| Dimensions | |
|------------|------|
| A | E |
| .100 | .267 |
| 2.54 | 6.78 |
| .125 | .317 |
| 3.18 | 8.05 |
| .150 | .367 |
| 3.81 | 9.32 |
| .156 | .379 |
| 3.96 | 9.62 |

Keying Plugs

Material: Nylon, natural

Technical Documents:

(pages 186, 187):

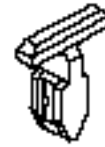
Instruction Sheet 408-7479



Type A



Type B

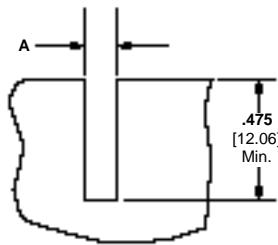


On-Contact

Intercontact

| In-Row Contact Spacing | Type of Contact | Connector Style* | | Intercontact Keying Plug | | | On-Contact Keying Plug | |
|------------------------|-----------------|------------------|------------------|--------------------------|---------------------|---------------------------|------------------------|---------------------------|
| | | with End Caps | without End Caps | Type A Part Numbers | Type B Part Numbers | Insertion/Extraction Tool | Part Numbers | Insertion/Extraction Tool |
| .100 2.54 | Solder Post | 583715 | 583485 | 530286-3 | — | 91081-2 | 583714-1 | 91088-1 |
| | Card Extender | 530268 | 530291 | | | | | |
| .125 3.18 | Solder Post | 583679 | 583533 | 530286-2 | 530030-1 | 91081-1 | 583714-1 | 91088-1 |
| | Card Extender | 530265 | 530290 | | | | | |
| .150 3.81 | Solder Post | 583692 | 583407 | 530286-2 | 530030-1 | 91081-1 | — | — |
| | Wrap-Type Post | 583754 | 583752 | | | | | |
| | Card Extender | 530278 | 530270 | | | | | |
| .156 3.96 | Solder Post | 583660 | 583486 | 530286-2 | 530030-1 | 91081-1 | — | — |
| | Wrap-Type Post | 583755 | 583753 | | | | | |
| | Card Extender | 530267 | 530282 | | | | | |

*Refer to pages 66-68, as applicable, for specific connector sizes.



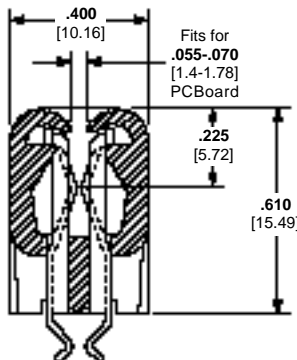
| Connector Centerlines | Dimension A | |
|-----------------------|--------------|------------|
| | Intercontact | On-Contact |
| .100 | .040 | .129 |
| 2.54 | 1.02 | 3.28 |
| .125 | .050 | .129 |
| 3.18 | 1.27 | 3.28 |
| .150 | .050 | .160 |
| 3.81 | 1.27 | 4.06 |
| .156 | .050 | .160 |
| 3.96 | 1.27 | 4.06 |

Recommended PC Board Cutout for Keying Plugs

Other Twin Leaf Mother Board Connectors

For more information on the connectors shown here, consult Tyco Electronics.

Card Extender Connectors



Connectors With End Caps

| Centerlines | Part Number Series* |
|--------------|---------------------|
| .150 3.81 | 530278 |
| .156 3.96 | 530267 |

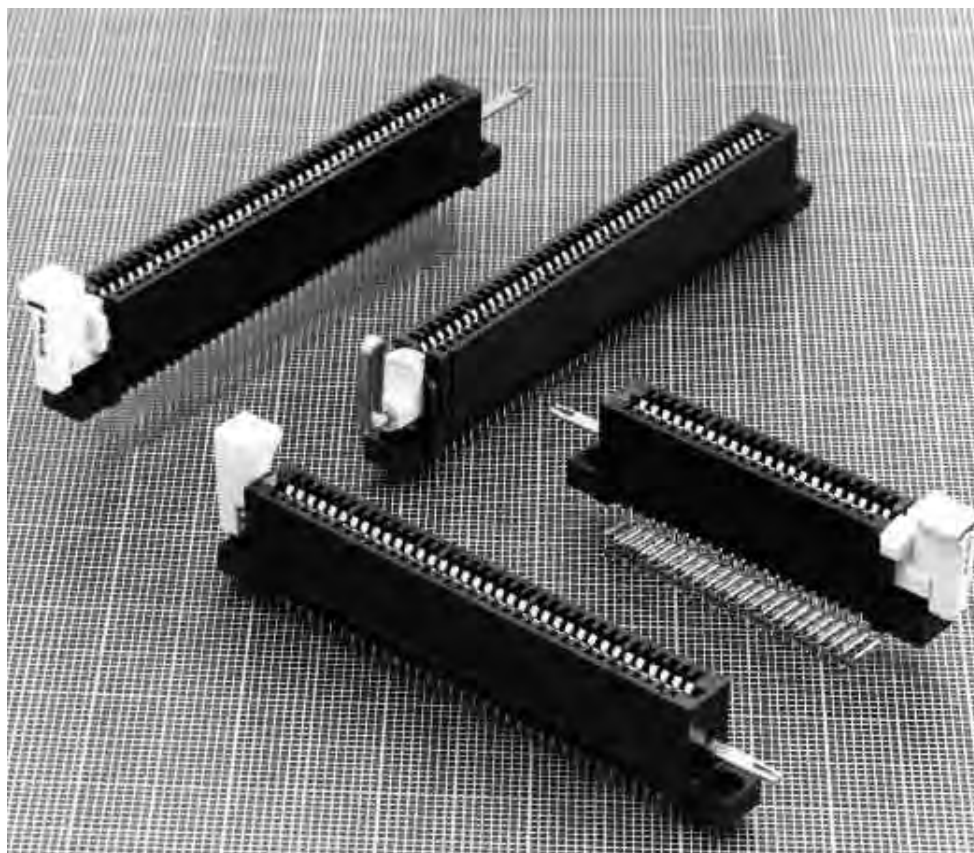
*Consult Tyco Electronics for specific connector sizes.

Rotary Cam ZIF Connectors

Solder Type Board-to-Board Connectors

Product Facts

- Zero insertion force; little or no effort required to insert and withdraw PC boards
- Reduced pad wear for extended board life
- Allows all four sides of board to be used for input/output functions
- Accepts double-sided boards
- Three contact styles to choose from: vertical solder post, right-angle solder post and wrap-type post (2 and 3 high)
- Available in .100 [2.54], .125 [3.18] and .156 [3.96] centerlines
- Three configurations available: open one end, open both ends and closed both ends
- Products indicated are recognized under the Component Program of Underwriters Laboratories Inc., File No. E28476



Performance Specifications

Current vs. Temperature Rise*:
3 amperes at 30°C

Operating Temperature:
-55°C to +105°C

Contact Resistance:
20 milliohms max.

Durability: Tested to 5000 cycles

AMP Rotary Cam Zero Insertion Force (ZIF) Card Edge Connectors are available in sizes to fit most industry-standard printed circuit boards. A clockwise rotation of the cam handle opens contacts to allow zero-force insertion or removal of PC boards—even boards with a large number of contacts. Turning the cam handle to close the connector locks the board securely in place. Rotary Cam ZIF Connectors accept double-sided PC boards .054-.070 [1.37-

1.78] thick, with contact centerline intervals of .100 [2.54], .125 [3.18] and .156 [3.96]. Row-to-row spacing of connector posts is .200 [5.08] for .100 [2.54] and .156 [3.96] connectors and .250 [6.35] for .125 [3.18] connectors.

Contacts are nickel underplated phosphor bronze with gold plate in the contact area and tin-lead plated posts. Contact configurations include vertical and right-angle solder posts and wrap-type posts. Preassembled connectors

feature housings made from 94V-0 rated glass-filled polyester and mounting ears for easy mounting to the mother board. Housings are available with one end open, both ends open and both ends closed for side and top daughter board insertion. Integral board locks secure boards in the connectors. Accessories include dust covers, cam rods (with and without boots) and cam keys for nut-driver actuation and for tandem operation of connectors.

*Consult Tyco Electronics engineering when paralleling contacts for power applications.

Electronics

Rotary Cam ZIF Connectors, .100 x .200 [2.54 x 5.08] Centerline

**Vertical Connector,
Solder Post Terminals**

Material and Finish:

Housing—Glass-filled polyester, 94V-0 rated

Contacts—Phosphor bronze, plated .000030 [0.00076] gold per MIL-G-45204 in contact area; .000100 [0.00254] tin-lead per MIL-P-81728 on post with entire contact underplated .000050 [0.00127] nickel per QQ-N-290

Related Product Data:

Board Lock Feature—On connectors open one end and open both ends

Daughter PC Board—.054-.070 [1.37-1.78] thick

Performance Specifications—page 73

Dust Cover—page 79

PC Board Hole Layout and Edge Patterns—pages 81, 82

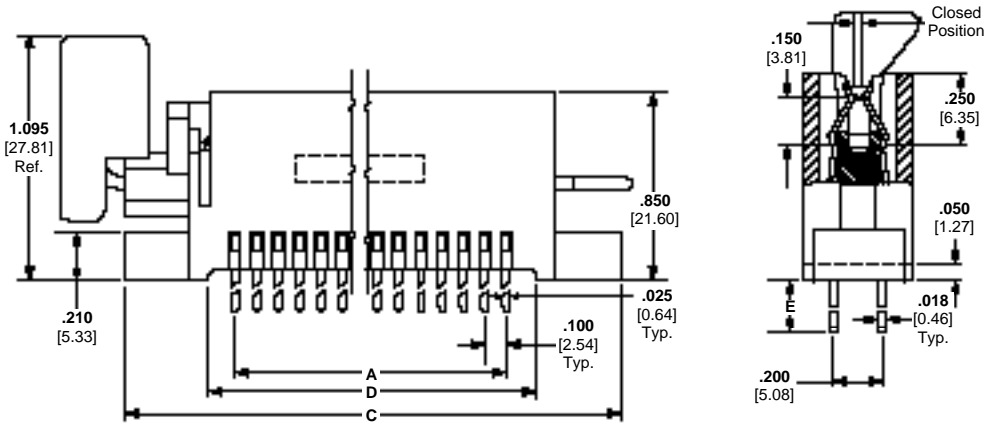
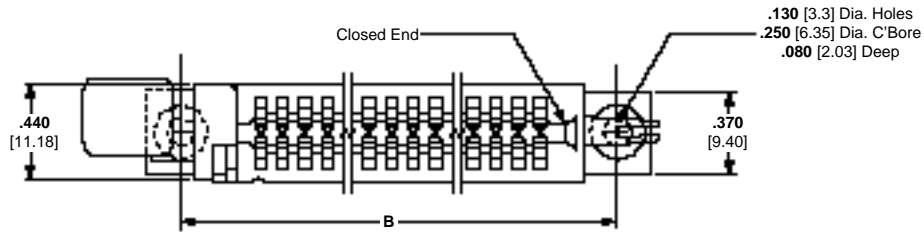
Special Application—pages 82, 96

Technical Documents:

(pages 186, 187):

Product Specification
108-9048

Instruction Sheet 408-7911



| No. of Dual Positions | Dimensions | | | | | Part Numbers | | |
|-----------------------|------------|--------|--------|--------|------|---------------------------|-----------------------------|------------------|
| | A | B | C | D | E* | Open One End ¹ | Open Both Ends ¹ | Closed Both Ends |
| 22 | 2.100 | 2.800 | 3.100 | 2.300 | .125 | 531020-1 | — | 531019-1 |
| | 53.34 | 71.12 | 78.74 | 58.42 | .160 | 1-531020-1 | — | — |
| 25 | 2.400 | 3.100 | 3.400 | 2.600 | .125 | 531020-2 | — | 531019-2 |
| | 60.96 | 78.74 | 86.36 | 66.04 | .160 | 1-531020-2 | — | — |
| 28 | 2.700 | 3.400 | 3.700 | 2.900 | .160 | 1-531020-3 | — | — |
| | 68.58 | 86.36 | 93.98 | 73.66 | | | | |
| 31 | 3.000 | 3.700 | 4.000 | 3.200 | .160 | 2-531020-1 | — | — |
| | 76.20 | 93.98 | 101.60 | 81.28 | | | | |
| 36 | 3.500 | 4.200 | 4.500 | 3.700 | .125 | 3-531020-2 | — | 531019-4 |
| | 88.90 | 106.68 | 114.30 | 93.98 | .160 | 1-531020-4 | — | — |
| 40 | 3.900 | 4.600 | 4.900 | 4.100 | .125 | 531020-5 | — | — |
| | 99.06 | 116.84 | 124.46 | 104.14 | .160 | 1-531020-5 | — | — |
| 43 | 4.200 | 4.900 | 5.200 | 4.400 | .125 | 3-531020-3 | — | — |
| | | | | | .160 | 1-531020-7 | — | — |
| | | | | | .160 | 2-531020-8 ² | — | — |
| 50 | 4.900 | 5.600 | 5.900 | 5.100 | .125 | 531020-8 | 531021-8 | — |
| | | | | | .160 | 1-531020-8 | — | 1-531019-8 |
| | | | | | .160 | 2-531020-9 ² | — | — |
| 60 | 5.900 | 6.600 | 6.900 | 6.100 | .160 | 1-531020-9 | 1-531021-9 | 1-531019-9 |
| | | | | | .125 | 1-531020-0 | — | — |
| 65 | 6.400 | 7.100 | 7.400 | 6.600 | .160 | 2-531020-0 | — | — |
| | | | | | .160 | 3-531020-0 ² | — | — |
| | | | | | .160 | — | — | — |

*Metric equivalents in millimeters for post lengths E are .125 = [3.18]; .160 = [4.06].

¹Recognized under the Component Program of Underwriters Laboratories Inc.

²Connectors without cam rod and boardlock.

Notes: 1. Connector with card slot open one end is shown for illustration purposes.
2. Other connector sizes can be made available, consult Tyco Electronics.

Solder Type Board-to-Board Connectors

Right-Angle Connector, Solder Post Terminals

Material and Finish:

Housing—Glass-filled polyester, 94V-0 rated

Contacts—Phosphor bronze, plated .000030 [0.00076] gold per MIL-G-45204 in contact area; .000100 [0.00254] tin-lead per MIL-P-81728 on post with entire contact underplated .000050 [0.00127] nickel per QQ-N-290

Related Product Data:

Board Lock Feature—On connectors open one end and open both ends

Daughter PC Board—.054-.070 [1.37-1.78] thick

Performance Specifications—page 73

Dust Cover—page 79

PC Board Hole Layout and Edge Patterns—pages 81, 82

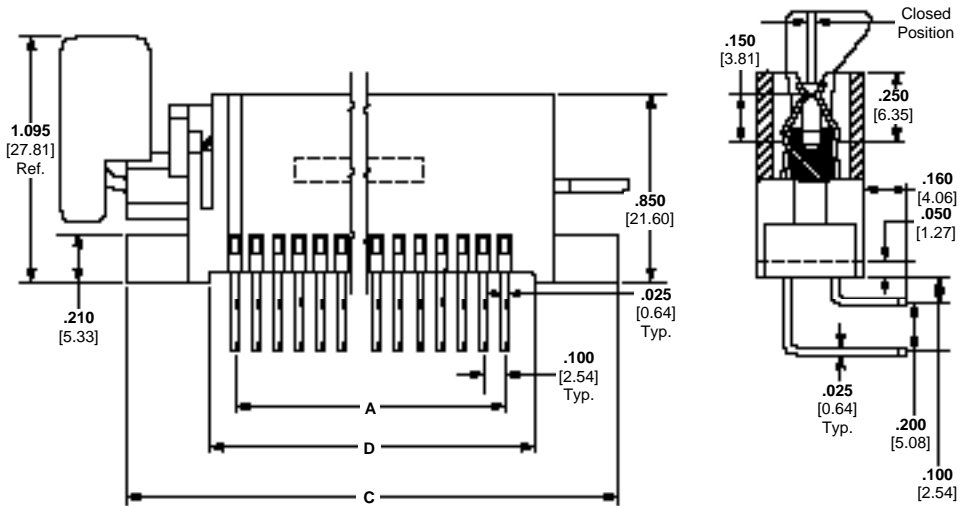
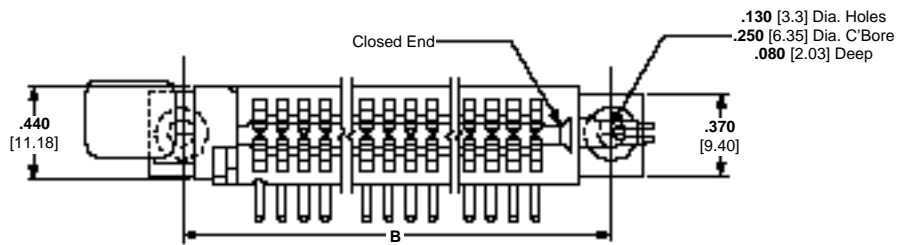
Special Application—page 82, 96

Technical Documents:

(pages 186, 187):

Product Specification 108-9048

Instruction Sheet 408-7911



Bend Right Shown

| No. of Dual Positions | Dimensions | | | | Bend Right | Part Numbers (Open End ¹) |
|-----------------------|-----------------|-----------------|-----------------|-----------------|------------|---------------------------------------|
| | A | B | C | D | | |
| 25 | 2.400 60.96 | 3.100 78.74 | 3.400 86.36 | 2.800 71.12 | R | 531395-2 ³ |
| 36 | 3.500 88.90 | 4.200 106.68 | 4.500 114.30 | 3.700 93.98 | R | 531396-4 |
| 50 | 4.900 124.56 | 5.600 142.24 | 5.900 149.86 | 5.100 129.54 | L | 1-531396-8 |
| 65 | 6.400 162.56 | 7.100 180.34 | 7.400 187.96 | 6.600 167.64 | R | 1-531396-0 |

¹Recognized under the Component Program of Underwriters Laboratories Inc.

- Notes:**
1. Connector with card slot open one end is shown.
 2. Other connector sizes can be made available, consult Tyco Electronics.
 3. Open both ends.

**Vertical Connector,
Wrap-Type Post Terminals**

Material and Finish:

Housing—Glass-filled polyester, 94V-0 rated

Contacts—Phosphor bronze, plated .000030 [0.00076] gold per MIL-G-45204 in contact area; .000100 [0.00254] tin-lead per MIL-P-81728 on post with entire contact underplated .000050 [0.00127] nickel per QQ-N-290

Related Product Data:

Board Lock Feature—On connectors open one end and open both ends

Daughter PC Board—.054-.070 [1.37-1.78] thick

Performance Specifications—page 73

Dust Cover—page 79

PC Board Hole Layout and Edge Patterns—pages 81, 82

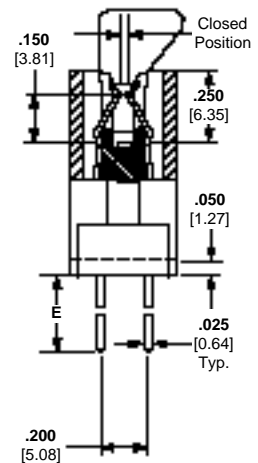
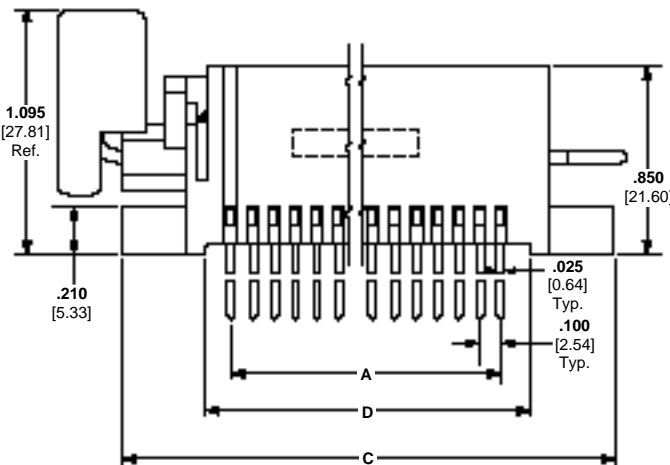
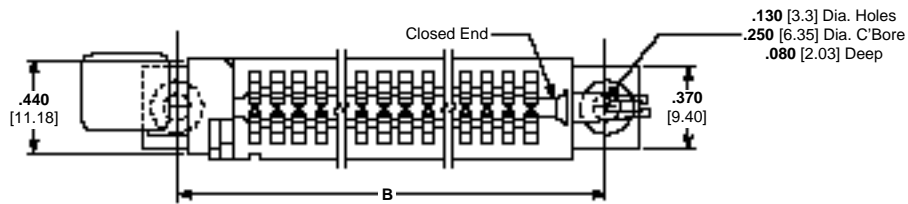
Special Application—pages 82, 96

Technical Documents:

(pages 186, 187):

Product Specification 108-9048

Instruction Sheet 408-7911



| No. of Dual Positions | Dimensions | | | | | Part Numbers | |
|-----------------------|-----------------|-----------------|-----------------|-----------------|--------------|---------------------------|-----------------------------|
| | A | B | C | D | E* | Open One End ¹ | Open Both Ends ¹ |
| 25 | 2.400 60.96 | 3.100 78.74 | 3.400 86.36 | 2.600 66.04 | .380 | 1-531414-2 | — |
| 36 | 3.500 88.90 | 4.200 106.68 | 4.500 114.30 | 3.700 93.98 | .580 .380 | 531414-4 | 531415-4 |
| 40 | 3.900 99.06 | 4.600 116.84 | 4.900 124.46 | 4.100 104.14 | .580 | 531414-5 | — |
| 42 | 4.100 104.14 | 4.800 121.92 | 5.100 129.54 | 4.300 109.22 | .380 | 1-531414-6 | — |
| 50 | 4.900 124.46 | 5.600 142.24 | 5.900 149.86 | 5.100 129.54 | .580 | 2-531414-4 | 531415-8 |
| 60 | 5.900 149.86 | 6.600 167.64 | 6.900 175.26 | 6.100 154.94 | .580 | 531414-9 | — |
| 65 | 6.400 162.56 | 7.100 180.34 | 7.400 187.96 | 6.600 167.64 | .580 | 1-531414-0 | — |

*Metric equivalents in millimeters for post lengths E are .580 = [14.73] (3-high wrap-type); .380 = [9.65] (2-high wrap-type).

¹Recognized under the Component Program of Underwriters Laboratories Inc.

Notes: 1. Connector with card slot open one end is shown for illustration purposes.
2. Other connector sizes can be made available, consult Tyco Electronics.

Solder Type Board-to-Board Connectors

Rotary Cam ZIF Connectors, .125 x .250 [3.18 x 6.35] Centerline

Vertical Connector, Solder Post Terminals

Material and Finish:

Housing—Glass-filled polyester, 94V-0 rated
Contacts—Phosphor bronze, plated .000030 [0.00076] gold per MIL-G-45204 in contact area; .000100 [0.00254] tin-lead per MIL-P-81728 on post with entire contact underplated .000050 [0.00127] nickel per QQ-N-290

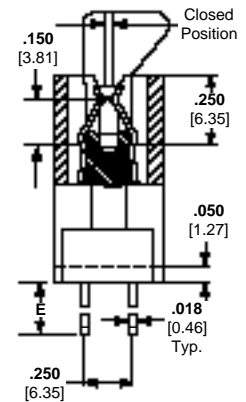
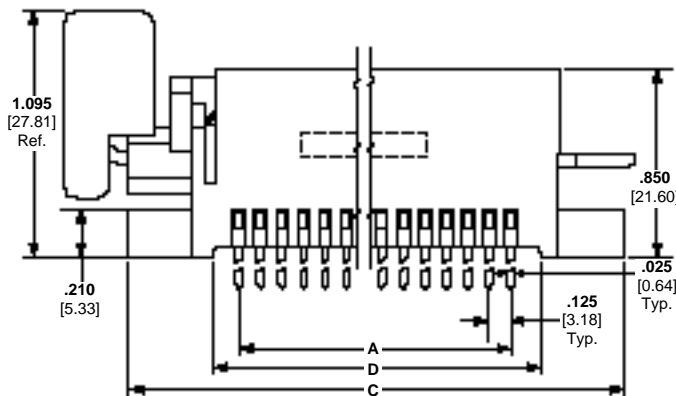
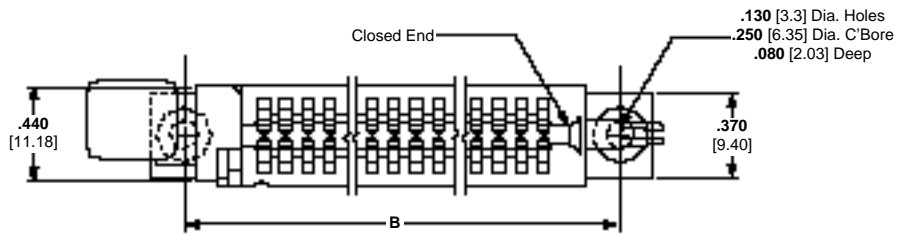


Related Product Data:

- Board Lock Feature**—On connectors open one end and open both ends
- Daughter PC Board**—.054-.070 [1.37-1.78] thick
- Performance Specifications**—page 73
- Dust Cover**—page 79
- PC Board Hole Layout and Edge Patterns**—pages 81, 82
- Special Application**—pages 82, 96

Technical Documents:

- (pages 186,187):
- Product Specification 108-9048
- Instruction Sheet 408-7911



| No. of Dual Positions | Dimensions | | | | | Part Numbers | |
|-----------------------|-----------------|-----------------|-----------------|-----------------|------|---------------------------|-----------------------------|
| | A | B | C | D | E* | Open One End ¹ | Open Both Ends ¹ |
| 28 | 3.375 85.73 | 4.125 104.76 | 4.425 112.40 | 3.625 92.08 | .125 | — | 531024-3 |
| 30 | 3.625 92.08 | 4.375 111.13 | 4.675 118.75 | 3.875 98.43 | .125 | 531023-4 | — |
| 40 | 4.875 123.83 | 5.625 142.88 | 5.925 150.50 | 5.125 130.18 | .160 | 1-531023-4 | 1-531024-4 |

*Metric equivalents in millimeters for post lengths E are .125 = [3.18]; .160 = [4.06].

¹Recognized under the Component Program of Underwriters Laboratories Inc.

Notes: 1. Connector with card slot open one end is shown for illustration purposes.
 2. Other connector sizes can be made available, consult Tyco Electronics.

Rotary Cam ZIF Connectors, .156 x .200 [3.96 x 5.08] Centerline

**Vertical Connector,
Solder Post Terminals**

Material and Finish:

Housing—Glass-filled polyester, 94V-0 rated
Contacts—Phosphor bronze, plated .000030 [0.00076] gold per MIL-G-45204 in contact area; .000100 [0.00254] tin-lead per MIL-P-81728 on post with entire contact underplated .000050 [0.00127] nickel per QQ-N-290

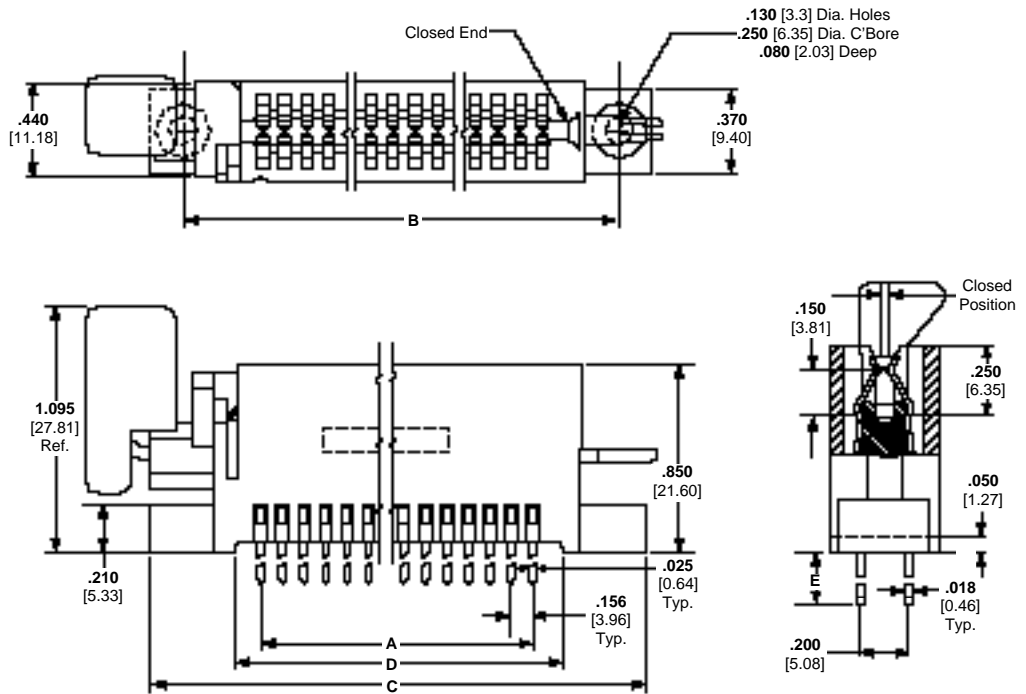


Related Product Data:

- Board Lock Feature**—On connectors open one end and open both ends
- Daughter PC Board**—.054-.070 [1.37-1.78] thick
- Performance Specifications**—page 73
- Dust Cover**—page 79
- PC Board Hole Layout and Edge Patterns**—pages 81, 82
- Special Application**—pages 82, 96

Technical Documents:

- (pages 186, 187):
- Product Specification 108-9048
- Instruction Sheet 408-7911



| No. of Dual Positions | Dimensions | | | | | Part Numbers | | |
|-----------------------|------------|--------|--------|--------|------|---------------------------|-----------------------------|------------------|
| | A | B | C | D | E* | Open One End ¹ | Open Both Ends ¹ | Closed Both Ends |
| 22 | 3.276 | 4.088 | 4.388 | 3.588 | .125 | 531025-3 | — | — |
| | 83.21 | 103.83 | 111.46 | 91.14 | .160 | 531025-9 | — | 531007-9 |
| 36 | 5.460 | 6.272 | 6.572 | 5.772 | .160 | — | 1-531026-1 | — |
| | 138.68 | 159.31 | 166.93 | 146.61 | .160 | — | — | — |
| 43 | 6.552 | 7.364 | 7.664 | 6.864 | .125 | 531025-6 | — | — |
| | 166.42 | 187.05 | 194.67 | 174.35 | .125 | 531025-6 | — | — |

*Metric equivalents in millimeters for post lengths E are .125 = [3.18]; .160 = [4.06].

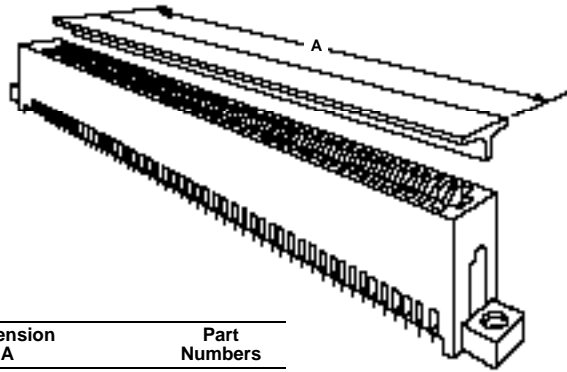
¹Recognized under the Component Program of Underwriters Laboratories Inc.

- Notes:** 1. Connector with card slot open one end is shown for illustration purposes.
 2. Other connector sizes can be made available, consult Tyco Electronics.

Accessories

Dust Covers

Material: Rigid vinyl, black



| Dimension A | Part Numbers |
|-------------------|--------------|
| 11.050 280.67 | 531863-2 |
| 48.000 1219.20 | 531863-1 |

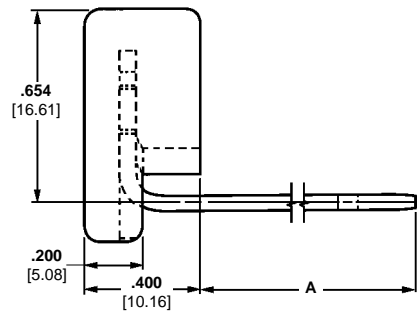
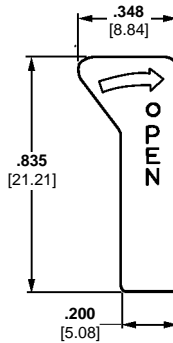
Note: Other lengths can be made available upon request, consult Tyco Electronics.

Cam Rods with Boot

Material:

Cam Rod—Stainless steel

Boot—Glass-filled polyester, yellow



| Dimension A | Part Numbers |
|-----------------|--------------|
| 3.185 80.90 | 650083-1 |
| 3.705 94.11 | 650083-2 |
| 4.470 113.54 | 650083-3 |
| 5.285 134.24 | 650083-4 |
| 5.900 149.86 | 650083-6 |
| 5.975 151.77 | 532563-7 |

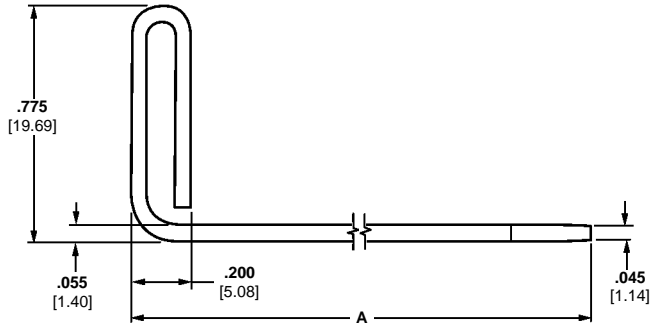
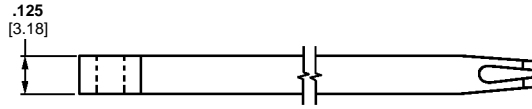
| Dimension A | Part Numbers |
|-----------------|--------------|
| 6.385 162.18 | 650083-7 |
| 6.985 177.42 | 650083-8 |
| 7.485 190.12 | 650083-9 |
| 7.725 196.22 | 1-532563-0 |
| 8.320 211.34 | 1-650083-7 |

Note: Other lengths can be made available upon request, consult Tyco Electronics.

Cam Rods without Boot

Material: Stainless steel

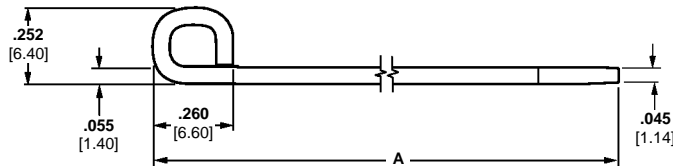
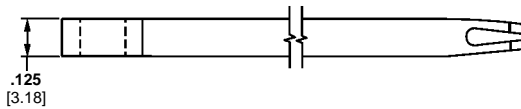
Solder Type Board-to-Board Connectors



| Dimension A | Part Numbers |
|-----------------|--------------|
| 2.200 55.88 | 2-531004-8 |
| 2.700 68.58 | 2-531004-9 |
| 3.300 83.82 | 3-531004-0 |
| 4.750 120.65 | 531004-4 |
| 5.000 127.00 | 1-531004-4 |
| 5.500 139.70 | 531004-6 |

| Dimension A | Part Numbers |
|------------------|--------------|
| 6.000 152.40 | 531004-7 |
| 6.250 158.75 | 1-531004-6 |
| 6.750 171.45 | 1-531004-7 |
| 8.250 209.55 | 3-531004-2 |
| 12.500 317.50 | 2-531004-0 |

Note: Other lengths can be made available upon request, consult Tyco Electronics.

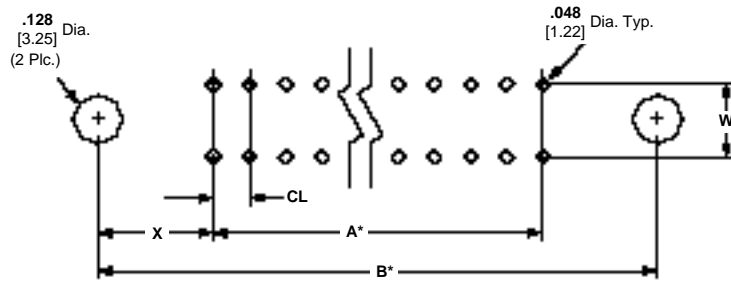


| Dimension A | Part Numbers |
|------------------|--------------|
| 3.380 85.85 | 645293-3 |
| 4.50 114.30 | 645293-8 |
| 5.200 132.08 | 645293-6 |
| 6.90 175.30 | 645293-7 |
| 13.120 333.25 | 645293-5 |

Note: Other lengths can be made available upon request, consult Tyco Electronics.

Recommended PC Board Hole Layouts

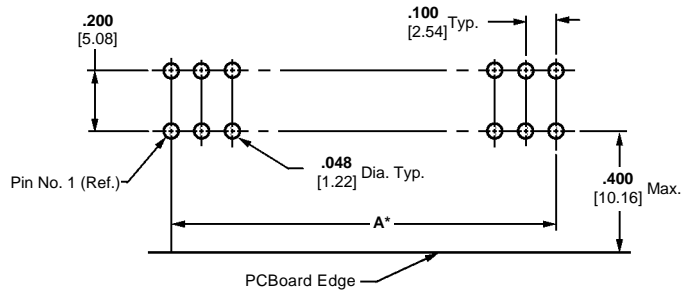
Mother Board Hole Layout, Vertical Through-Board Connectors



*Refer to individual connector specifications.

| CL | W | X |
|--------------|--------------|---------------|
| .100 2.54 | .200 5.08 | .350 8.89 |
| .125 2.18 | .250 6.35 | .375 9.53 |
| .156 3.96 | .200 5.08 | .406 10.31 |

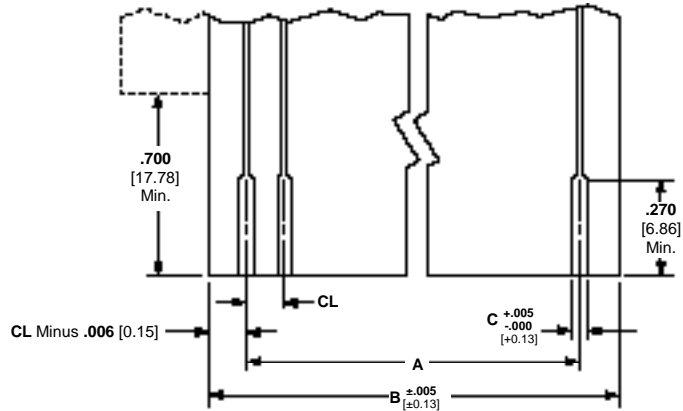
Mother Board Hole Layout, Right-Angle Through-Board Connectors



*Refer to individual connector specifications.

Recommended PC Board Edge Pattern

Daughter Board Edge Pattern



| No. of Dual Positions | CL = .100 [2.54] C = .050 [1.27] | | CL = .125 [3.18] C = .078 [1.98] | | CL = .156 [3.96] C = .094 [2.39] | |
|-----------------------|-------------------------------------|-----------------|-------------------------------------|-----------------|-------------------------------------|-----------------|
| | A | B | A | B | A | B |
| 22 | 2.100 53.34 | 2.288 58.12 | — | — | 3.267 83.21 | 3.576 90.83 |
| 25 | 2.400 60.96 | 2.588 65.74 | — | — | — | — |
| 28 | 2.700 68.58 | 2.888 73.36 | 3.375 85.73 | 3.613 91.77 | — | — |
| 30 | — | — | 3.625 92.08 | 3.863 98.12 | — | — |
| 31 | 3.000 76.20 | 3.188 80.98 | — | — | — | — |
| 36 | 3.500 88.90 | 3.688 93.68 | — | — | 5.460 138.68 | 5.760 146.30 |
| 40 | 3.900 99.06 | 4.088 103.84 | 4.875 123.83 | 5.113 129.87 | — | — |
| 43 | 4.200 106.68 | 4.388 111.46 | — | — | 6.552 166.42 | 6.852 174.04 |
| 50 | 4.900 124.46 | 5.088 129.24 | — | — | — | — |
| 60 | 5.900 149.86 | 6.088 154.64 | — | — | — | — |
| 65 | 6.400 162.56 | 6.588 167.34 | — | — | — | — |

Special Application

Tandem Application



Note: Contact Tyco Electronics for information concerning special tandem connectors.

Linear ZIF Connectors

Product Facts

- Minimizes force needed to install and remove printed circuit boards
- Available in lever and bell crank styles
- Lever styles allow side and top card entry
- Wiping action contacts enhance electrical properties
- Contacts on .100 x .100 [2.54 x 2.54] or .125 x .125 [3.18 x 3.18] centers
- .025 [0.64] square posts
- Accepts PC boards from .054 to .070 [1.37 to 1.78] in thickness
- Normally closed design leaves springs in relaxed position
- 50 to 175 dual positions available on .100 [2.54] centerline connectors and 40 to 140 dual positions available on .125 [3.18] centerline connectors



Performance Specifications

Current vs. Temperature Rise*:
3 amperes at 30°C

Operating Temperature:
-65°C to +85°C

Contact Resistance:
16 milliohms max.

Durability: Tested to 250 cycles
(board-to-contact actuation)

AMP Linear Zero Insertion Force (ZIF) PC Board Edge Connectors are available in both lever and bell crank actuated styles and can be provided as panel assemblies, separate housings and contacts or as pre-assembled with solder post terminals.

Panel assemblies include a housing with ACTION PIN press-fit solderless contacts mounted on an epoxy board for rack application. Separate housing assemblies and ACTION PIN contacts allow customer assembly. These can be mounted as close as .625 [15.88]. More design latitude for high density application is provided by the side entry lever-type connector, permitting use of all sides of the PC board for edge-type I/O connections (see page 133). Where solder applications are

required, Tyco Electronics has a line of preassembled connectors with tin-plated solder terminals. All these configurations are available in a broad range of sizes.

With ZIF style connectors, intermittencies can occur if a contact comes to rest on a piece of foreign matter (dust and dirt particles) found on PC boards. To decrease the probability of this happening, all connectors have been designed to include a wiping contact which produces a wiping action. This action, produced by the geometry and bending movements of the beam, pushes aside debris and allows for good electrical connection by cleaning the actual point of contact.

In addition, all connectors have removable wings which make it possible to repair or replace damaged cam rails, handles, contacts

and housing modules without removing the entire housing assembly from the board.

*Consult Tyco Electronics engineering when paralleling contacts for power applications.

Linear ZIF Connectors, .100 x .100 [2.54 x 2.54] Centerline

Housing with Solder Posts

Lever Style, Side Entry

Material and Finish:

Housing—Glass-filled polyester, black

Contacts—Copper alloy 725, plated .000015 [0.00038] min. gold per MIL-G-45204 in contact area; .000100 [0.00254] min. tin-lead on post with entire contact underplated .000050 [0.00127] min. nickel per QQ-N-290

Related Product Data:

Daughter PC Board—.054-.070 [1.37-1.78] thick

Performance Specifications—page 83

PC Board Hole Layout and Edge Pattern—page 88

Special Application—page 96



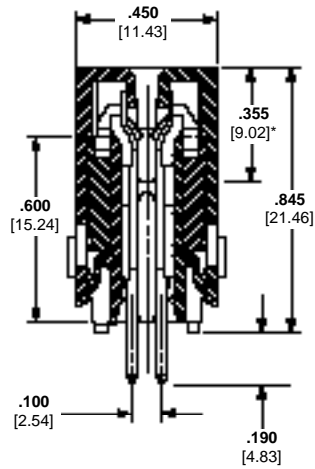
Technical Documents:

(pages 186, 187):

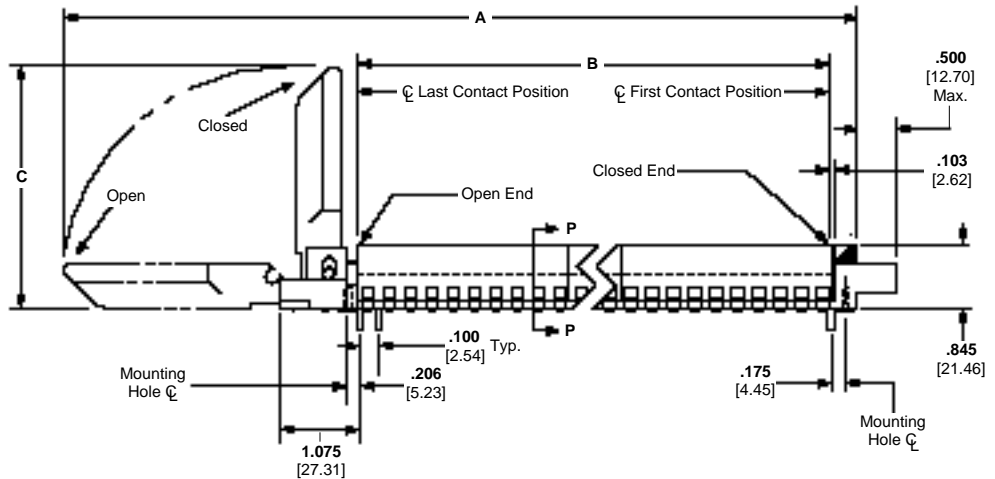
Product Specification
108-14015

Application Specification
114-26003

Instruction Sheets 408-2995,
408-2999, 408-6915



Section P-P



*Card slot depth.

| No. of Dual Positions | Dimensions | | | Part Number |
|-----------------------|------------------|-----------------|----------------|-------------|
| | A | B | C | |
| 35 | 6.113 155.27 | 3.400 86.36 | 2.000 50.80 | 645135-2 |
| 80 | 11.613 294.97 | 7.900 200.66 | 3.000 76.20 | 1-645135-1 |
| 100 | 13.613 345.77 | 9.900 251.46 | 3.000 76.20 | 1-645135-5 |

Note: Other connector sizes can be made available, consult Tyco Electronics.

Linear ZIF Connectors, .100 x .100 [2.54 x 2.54] Centerline (Continued)

Panel Assembly

Material and Finish:

Housing—Glass-filled polyester, black

Contacts—Copper alloy 725, plated .000015 [0.00038] gold per MIL-G-45204 in contact area; .000001 [0.00003] min. gold flash per MIL-G-45204 on post with entire contact under-plated .000050 [0.00127] nickel per QQ-N-290

Related Product Data:

Daughter PC Board—.054-.070 [1.37-1.78] thick

Performance Specifications—page 83

PC Board Hole Layout and Edge Pattern—page 88

ACTION PIN Contacts—pages 88, 94

Tooling—page 95

Special Application—page 96

Technical Documents:

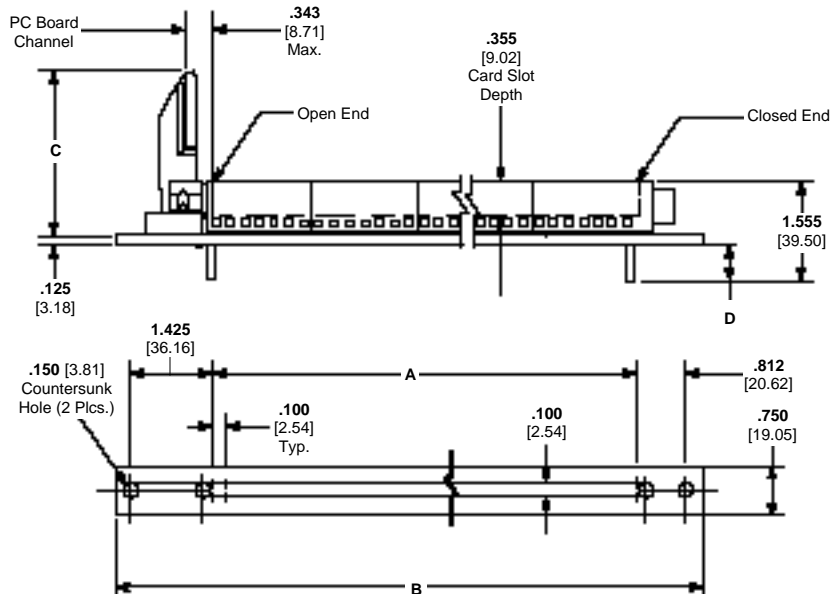
(pages 186, 187):

Product Specification
108-14015

Application Specification
114-26003

Instruction Sheets 408-2995,
408-2999, 408-6915

Lever Style, Side Entry



| No. of Dual Positions | Dimensions | | | | Part Numbers |
|-----------------------|------------------|------------------|----------------|---------------|--------------|
| | A | B | C | D | |
| 75 | 7.400 251.46 | 10.125 320.68 | 3.000 76.20 | .615 15.62 | 1-645145-0 |
| 100 | 9.900 251.46 | 12.625 320.68 | 3.000 76.20 | .615 15.62 | 1-645145-5 |
| 130 | 12.900 251.46 | 15.625 320.68 | 3.000 76.20 | .615 15.62 | 2-645145-1 |
| 140 | 13.900 353.06 | 16.625 422.28 | 3.000 76.20 | .615 15.62 | 2-645145-3 |
| 150 | 14.900 251.46 | 17.625 320.68 | 3.000 76.20 | .615 15.62 | 2-645145-5 |
| 160 | 15.900 403.86 | 18.625 473.07 | 3.000 76.20 | .615 15.62 | 2-645145-7 |
| 160 | 15.900 403.86 | 18.625 473.07 | 3.000 76.20 | .455 11.56 | 147400-1 |

Note: Other connector sizes can be made available, consult Tyco Electronics.

Panel Assembly

Lever Style, Top Entry

Material and Finish:

Housing—Glass-filled polyester, black

Contacts—Copper alloy 725, plated .000015 [0.00038] gold per MIL-G-45204 in contact area; .000001 [0.00003] min. gold flash per MIL-G-45204 on post with entire contact under-plated .000050 [0.00127] nickel per QQ-N-290

Related Product Data:

Daughter PC Board—.054-.070 [1.37-1.78] thick

Performance Specifications—page 83

PC Board Hole Layout and Edge Pattern—page 88

ACTION PIN Contacts—pages 88, 94

Tooling—page 95

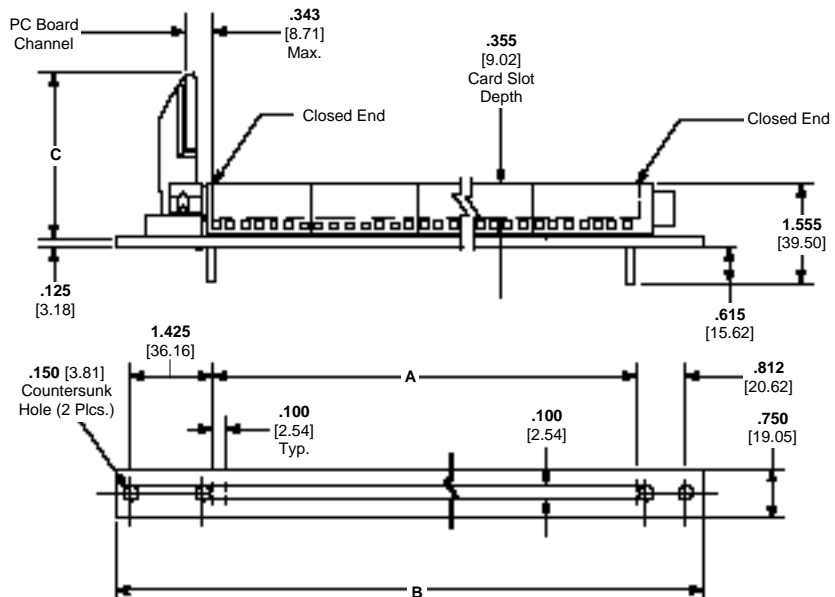
Technical Documents:

(pages 186, 187):

Product Specifications
108-14015, 108-26003

Application Specification
114-26003

Instruction Sheets 408-2995,
408-2999, 408-6915



| No. of Dual Positions | Dimensions | | | Part Numbers |
|-----------------------|------------------|------------------|----------------|--------------|
| | A | B | C | |
| 110 | 10.900 276.86 | 13.625 346.08 | 3.000 76.20 | 1-645147-7 |
| 120 | 11.900 302.26 | 14.625 371.48 | 3.000 76.20 | 1-645147-9 |

Note: Other connector sizes can be made available, consult Tyco Electronics.

Linear ZIF Connectors, .100 x .100 [2.54 x 2.54] Centerline (Continued)

Housing

Material: Glass-filled polyester, black

Related Product Data:

Daughter PC Board—.054-.070 [1.37-1.78] thick

Mounting Screws—Customer supplies, must be applied before opening connector

Performance Specifications—page 83

PC Board Hole Layout and Edge Pattern—page 88

ACTION PIN Contacts—pages 88, 94

Tooling—page 95

Special Application—page 96

Technical Documents:

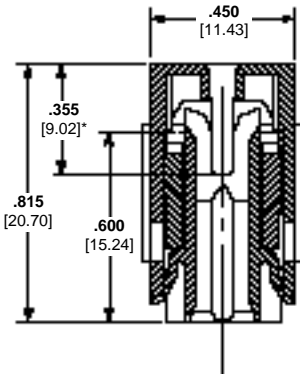
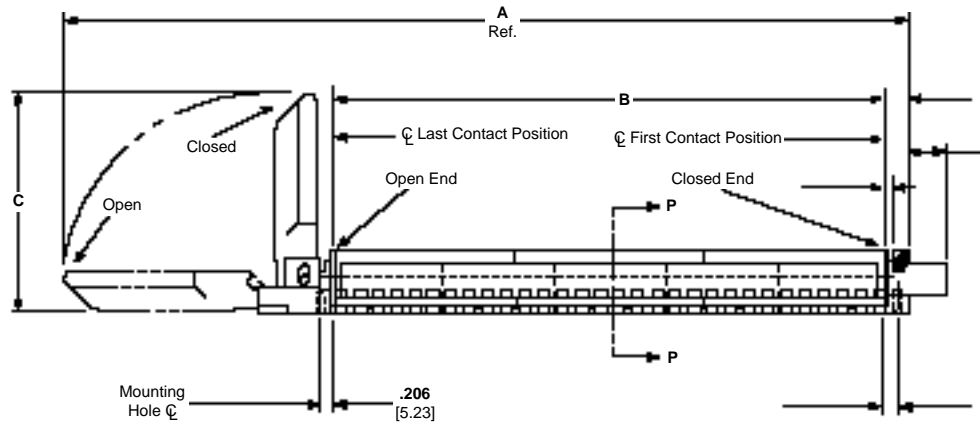
(pages 186, 187):

Product Specifications
108-14015, 108-26003

Application Specification
108-26003

Instruction Sheets 408-2995,
408-2999, 408-6915

Lever Style, Side Entry



Section P-P

*Card slot depth.

| No. of Dual Positions | Dimensions | | | Part Numbers |
|-----------------------|------------------|------------------|----------------|--------------------------|
| | A | B | C | |
| 50 | 7.613 193.37 | 4.900 124.46 | 2.000 50.80 | 645115-5 |
| 75 | 11.113 282.27 | 7.400 187.96 | 3.000 76.20 | 1-645115-0 |
| 80 | 11.613 294.97 | 7.900 200.66 | 3.000 76.20 | 1-645115-1 |
| 100 | 13.613 345.77 | 9.900 251.46 | 3.000 76.20 | 1-645115-5 |
| 110 | 14.613 371.17 | 10.900 276.86 | 3.000 76.20 | 1-645115-7 3-645115-2 |
| 115 | 15.113 383.87 | 11.400 289.56 | 3.000 76.20 | 1-645115-8 |
| 125 | 16.113 409.27 | 12.400 314.96 | 3.000 76.20 | 2-645115-0 |
| 130 | 16.613 421.97 | 12.900 327.66 | 3.000 76.20 | 2-645115-1 |
| 140 | 17.613 447.37 | 13.900 353.06 | 3.000 76.20 | 2-645115-3 |
| 160 | 19.613 498.17 | 15.900 403.86 | 3.000 76.20 | 3-645115-3 |
| 175 | 21.113 536.27 | 17.400 441.96 | 3.000 76.20 | 3-645115-0 |

Note: Other connector sizes can be made available, consult Tyco Electronics.

**ACTION PIN Contacts with Wiping Feature,
.100 [2.54] Centerline**

Material and Finish:

Copper alloy 725, plated .000015 [0.00038] gold per MIL-G-45204 in contact area; .000001 [0.00003] min. gold flash per MIL-G-45204 on post with entire contact underplated .000050 [0.00127] nickel per QQ-N-290

Related Product Data:

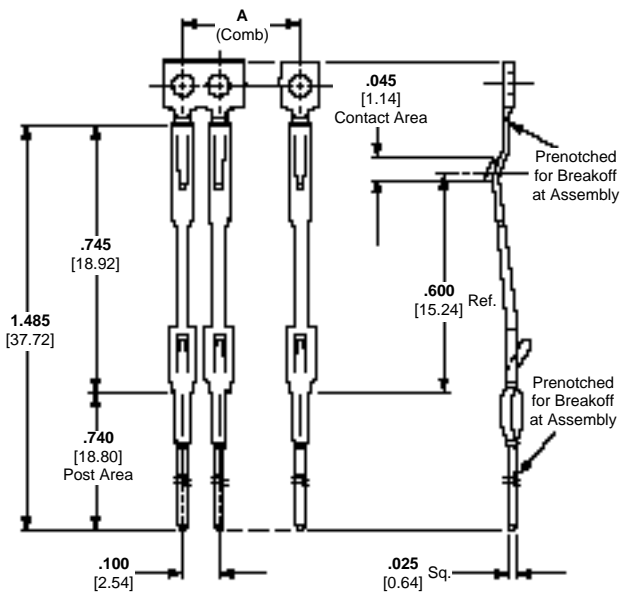
Performance Specifications—
page 83

ACTION PIN Contact Description and Application Specification—
page 94

Tooling—page 95

Technical Documents:

(pages 186, 187):
Instruction Sheet 408-2665



Contact Combs

| Number of Contacts Per Comb* | Dimension A | | Part Number |
|------------------------------|-------------|--------|-------------|
| | | | |
| 55 | 5.400 | 137.16 | 4-119311-1 |

*At least two (2) contact combs required per housing.
Note: Other sizes can be made available, consult Tyco Electronics.

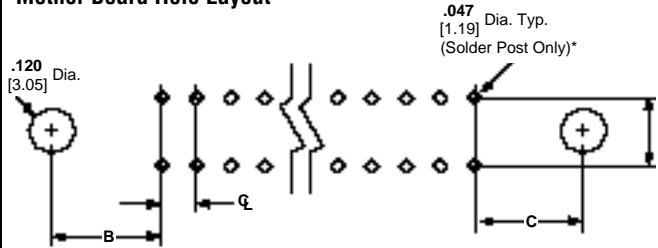
Reeled Contacts

| Number of Contacts Per Reel | Part Number |
|-----------------------------|-------------|
| 35,000 | 119196-6 |

Note: Other plating combinations and thicknesses can be made available, consult Tyco Electronics.

**Recommended PC Board Hole Layout and Edge Pattern,
.100 [2.54] Centerline**

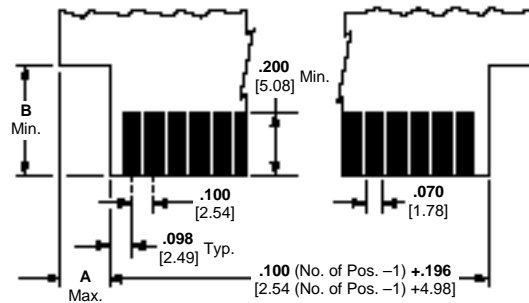
Mother Board Hole Layout



*For ACTION PIN post hole diameter, see page 94.

| Connector Style | Dimensions | | | |
|-----------------|--------------|--------------|--------------|--------------|
| | CL | A | B | C |
| Lever | .100 2.54 | .100 2.54 | .206 5.23 | .175 4.45 |

Daughter Board Edge Pattern



| Connector Style | Entry Style | Dimensions | |
|-----------------|-------------|--------------|--------------|
| | | A | B |
| Lever | Side | .240 6.10 | — |
| | Top | .240 6.10 | .320 8.13 |

Linear ZIF Connectors, .125 x .125 [3.18 x 3.18] Centerline

Panel Assembly

Lever Style, Side Entry

Material and Finish:

Housing—Glass-filled polyester, black

Contacts—Copper alloy 725, plated .000015 [0.00038] gold per MIL-G-45204 in contact area; .000001 [0.00003] min. gold flash per MIL-G-45204 on post with entire contact under-plated .000050 [0.00127] nickel per QQ-N-290

Related Product Data:

Daughter PC Board—.054-.070 [1.37-1.78] thick

Performance Specifications—page 83

PC Board Hole Layout and Edge Pattern—page 93

ACTION PIN Contacts—pages 93, 94

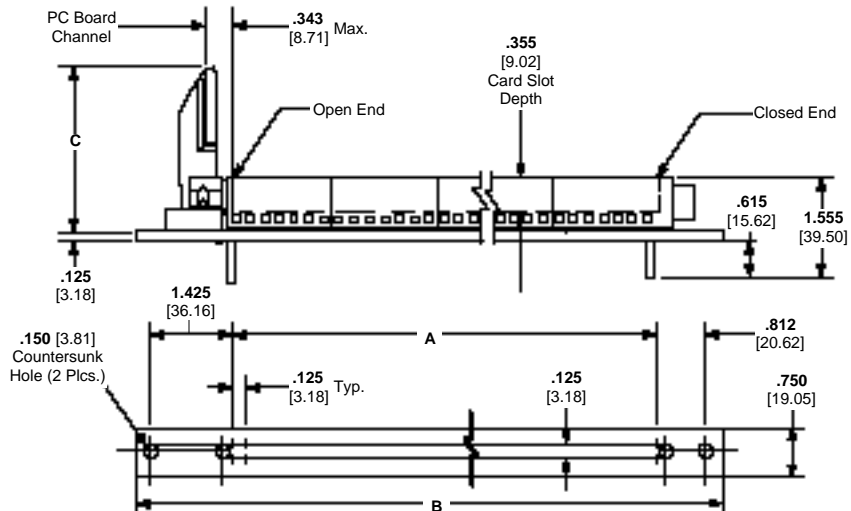
Tooling—page 95

Special Application—page 96

Technical Documents:

(pages 186, 187):

Instruction Sheets 408-2995, 408-6915, 408-6916



| No. of Dual Positions | Dimensions | | | Part Numbers |
|-----------------------|------------------|------------------|----------------|--------------|
| | A | B | C | |
| 40 | 4.875 123.83 | 7.625 193.68 | 2.000 50.80 | 645146-5 |
| 56 | 6.875 174.63 | 9.625 244.48 | 3.000 76.20 | 645146-9 |
| 60 | 7.375 187.32 | 10.125 257.17 | 3.000 76.20 | 1-645146-0 |
| 72 | 8.875 225.43 | 11.625 295.28 | 3.000 76.20 | 1-645146-3 |
| 84 | 10.375 250.83 | 13.125 320.68 | 3.000 76.20 | 1-645146-6 |
| 124 | 15.375 390.53 | 18.125 460.38 | 3.000 76.20 | 2-645146-6 |

Note: Other connector sizes can be made available, consult Tyco Electronics.

Panel Assembly

Bell Crank Style, Top Entry

Material and Finish:

Housing—Glass-filled polyester, black

Contacts—Copper alloy 725, plated .000015 [0.00038] gold per MIL-G-45204 in contact area; .000001 [0.00003] min. gold flash per MIL-G-45204 on post with entire contact under-plated .000050 [0.00127] nickel per QQ-N-290

Related Product Data:

Daughter PC Board—.054-.070 [1.37-1.78] thick

Performance Specifications—page 83

PC Board Hole Layout and Edge Pattern—page 93

ACTION PIN Contacts—pages 93, 94

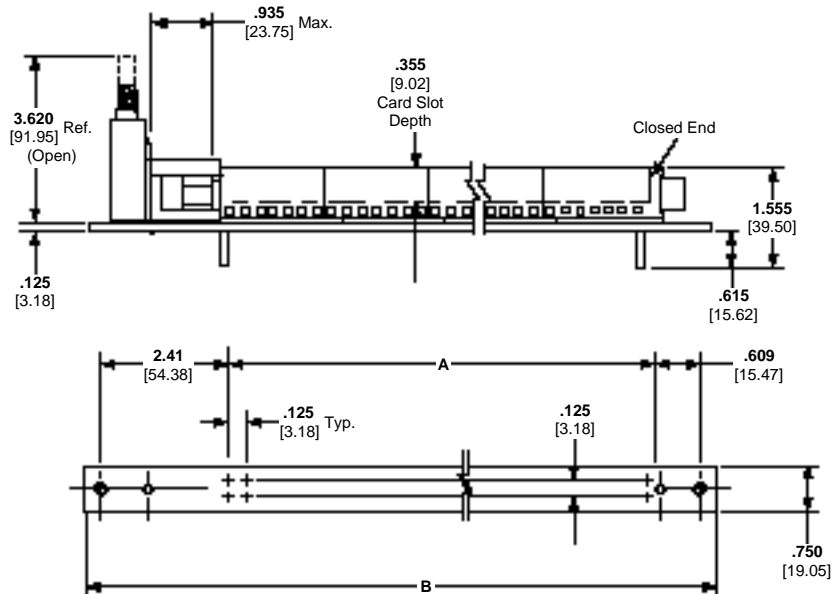
Tooling—page 95



Technical Documents:

(pages 186, 187):

Instruction Sheets 408-2995, 408-6915, 408-6916



| No. of Dual Positions | Dimensions | | Part Numbers |
|-----------------------|------------------|------------------|--------------|
| | A | B | |
| 60 | 7.375 187.33 | 10.625 269.88 | 1-645149-0 |
| 80 | 9.875 250.82 | 13.125 333.38 | 1-645149-5 |
| 112 | 13.875 352.43 | 17.125 434.98 | 2-645149-3 |
| 140 | 17.375 441.33 | 20.625 523.88 | 3-645149-0 |

Note: Other connector sizes can be made available, consult Tyco Electronics.

Solder Type Board-to-Board Connectors

Linear ZIF Connectors, .125 x .125 [3.18 x 3.18] Centerline (Continued)

Housing

Material: Glass-filled polyester, black

Related Product Data:

Daughter PC Board—.054-.070 [1.37-1.78] thick

Mounting Screws—Customer supplied, must be applied before opening connector

Performance Specifications—page 83

PC Board Hole Layout and Edge Pattern—page 93

ACTION PIN Contacts—pages 93, 94

Tooling—page 95

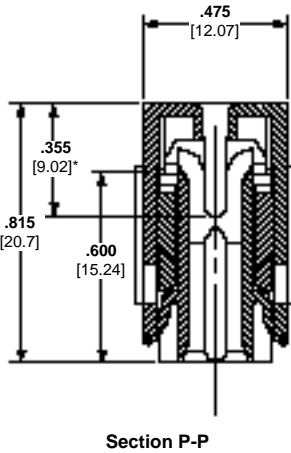
Special Application—page 96

Technical Documents:

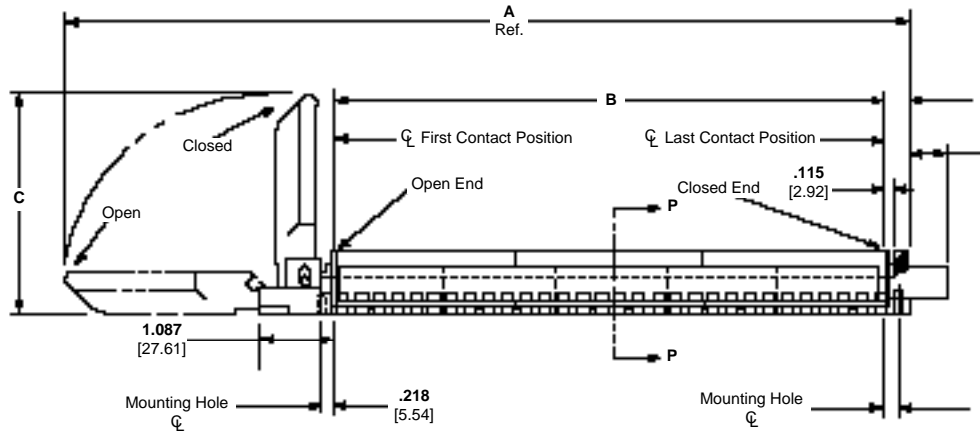
(pages 186, 187):

Instruction Sheets 408-2995, 408-6915, 408-6916

Lever Style, Side Entry



*Card slot depth.



| No. of Dual Positions | Dimensions | | | Part Number |
|-----------------------|------------------|------------------|----------------|-------------|
| | A | B | C | |
| 84 | 14.112 358.44 | 10.375 263.52 | 3.000 76.20 | 1-645116-6 |
| 100 | 16.112 409.24 | 12.375 314.33 | 3.000 76.20 | 2-645116-0 |
| 112 | 17.612 447.34 | 15.775 400.68 | 3.000 76.20 | 2-645116-3 |
| 124 | 19.112 485.44 | 17.275 438.78 | 3.000 76.20 | 2-645116-6 |

Note: Other connector sizes can be made available, consult Tyco Electronics.

Housing

Bell Crank Style, Top Entry

Material: Glass-filled polyester, black

Related Product Data:

Daughter PC Board—.054-.070 [1.37-1.78] thick

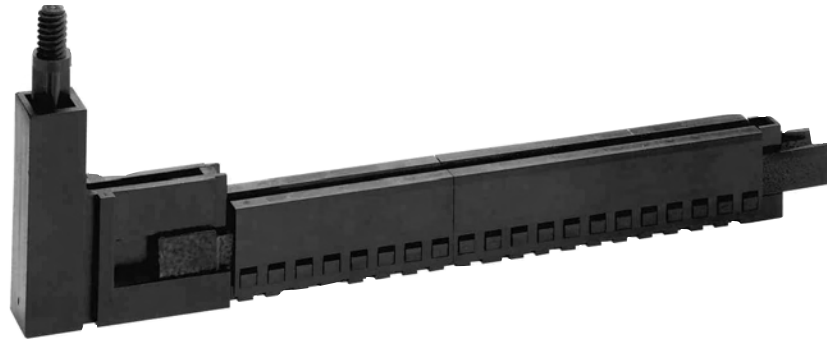
Mounting Screws—Customer supplied, must be applied before opening connector

Performance Specifications—page 83

PC Board Hole Layout and Edge Pattern—page 93

ACTION PIN Contacts—pages 93, 94

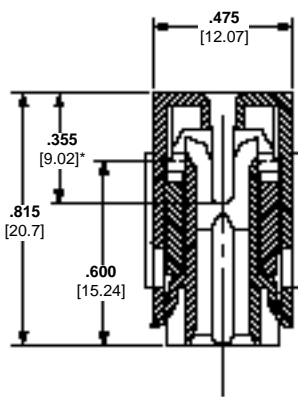
Tooling—page 95



Technical Documents:

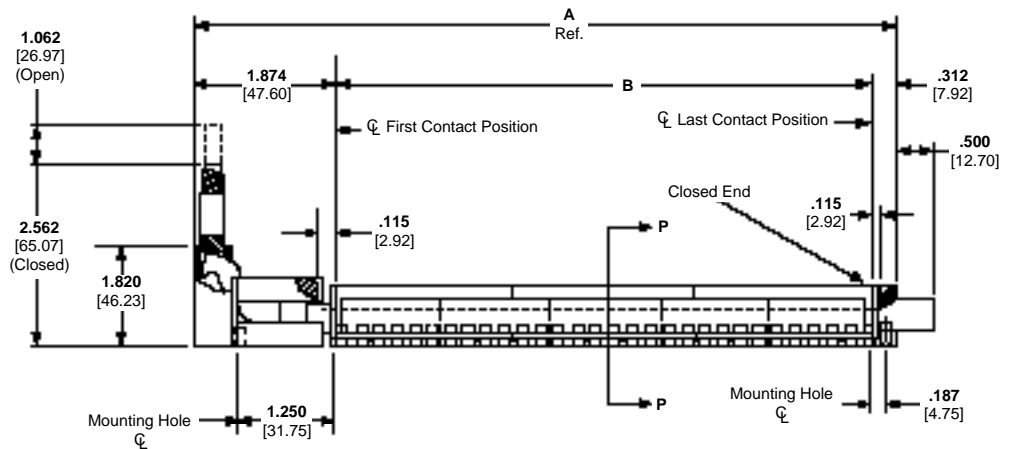
(pages 186, 187):

Instruction Sheets 408-2995, 408-6915, 408-6916



Section P-P

*Card slot depth.



| No. of Dual Positions | Dimensions | | Part Numbers |
|-----------------------|-------------------------|-------------------------|--------------|
| | A | B | |
| 52 | 8.562 217.47 | 6.375 161.93 | 645142-8 |
| 60 | 9.562 242.87 | 7.375 187.32 | 1-645142-0 |
| 80 | 13.125 333.37 | 9.875 250.82 | 1-645142-5 |
| 112 | 16.062 407.97 | 13.875 352.43 | 2-645142-3 |

Note: Other connector sizes can be made available, consult Tyco Electronics.

**ACTION PIN Contacts with Wiping Feature,
.125 [3.18] Centerline**

Material and Finish:

Copper alloy 725, plated .000015
[0.00038] gold per MIL-G-45204 in
contact area; .000001 [0.00003] min.
gold flash per MIL-G-45204 on post
with entire contact underplated .000050
[0.00127] nickel per QQ-N-290

Related Product Data:

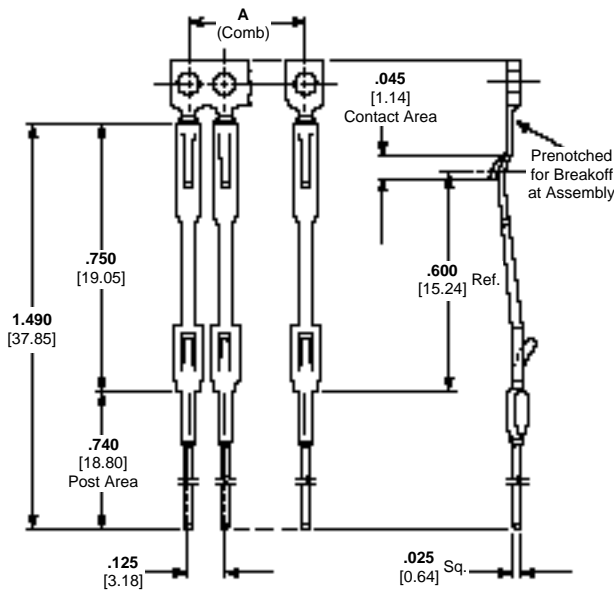
Performance Specifications—
page 83

**ACTION PIN Contact Description
and Application Specification—**
page 94

Tooling—page 95

Technical Documents:

(pages 186, 187):
Instruction Sheet 408-2665



Contact Combs

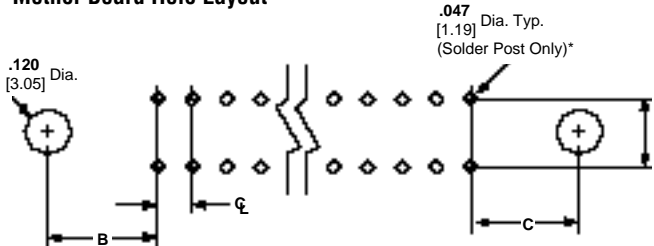
| Number of Contacts Per Comb* | Dimension A | Part Number |
|------------------------------|-----------------|-------------|
| 56 | 6.875 174.63 | 1-119950-2 |

*At least two (2) contact combs required per housing.

Note: Other sizes can be made available, consult Tyco Electronics.

**Recommended PC Board Hole Layout and Edge Pattern,
.125 [3.18] Centerline**

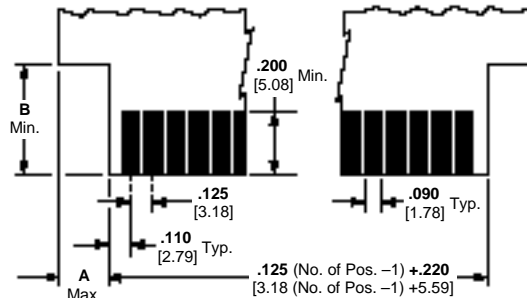
Mother Board Hole Layout



*For ACTION PIN post hole diameter, see page 94.

| Connector Style | Dimensions | | | |
|-----------------|--------------|--------------|----------------|--------------|
| | ϕ | A | B | C |
| Lever | .125 3.18 | .125 3.18 | .218 5.54 | .187 4.75 |
| Bell-Crank | .125 3.18 | .125 3.18 | 1.250 31.75 | .187 4.75 |

Daughter Board Edge Pattern

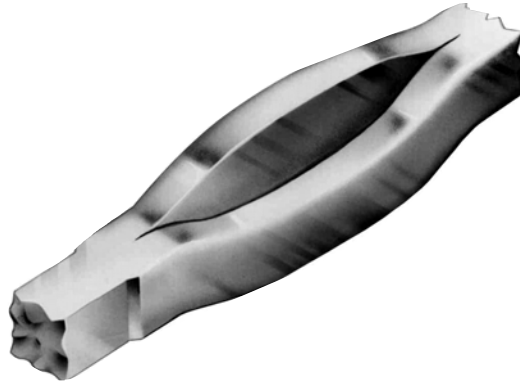


| Connector Style | Entry Style | Dimensions | |
|-----------------|-------------|---------------|---------------|
| | | A | B |
| Lever | Side | .240 6.10 | — |
| | Top | .240 6.10 | .320 8.13 |
| Bell-Crank | Top | .775 19.68 | .600 15.24 |

Solder Type Board-to-Board Connectors

**AMP ACTION PIN
Press-Fit Contacts**

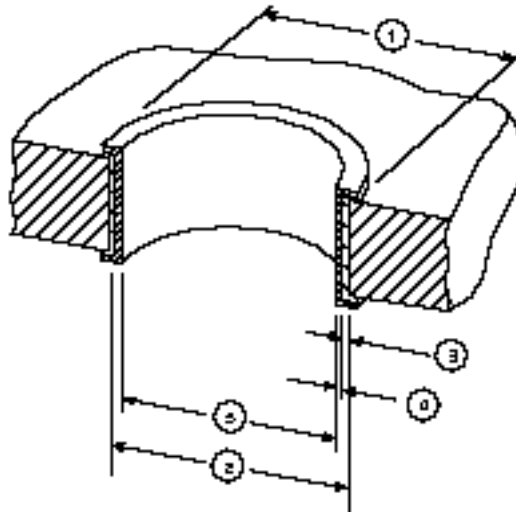
Solder Type Board-to-Board Connectors



ACTION PIN contacts provide a reliable press-fit connection. Localized pressure in the interface area entails oxide break-through and helps prevent corrosion in the harshest environments to provide a reliable connection virtually every time. Also, radial and axial distortion are controlled to meet today's standards for multilayer board applications.

PC Board Thickness

ACTION PIN contacts are designed for use in a variety of PC board thicknesses. However, certain ACTION PIN contacts are to be used in specific ranges of board thicknesses. To promote optimum performance, the recommended board thicknesses provided with the connector being used must be followed.



- ① Annular Ring (See Note)
- ② Drilled Hole
- ③ Copper Thickness
- ④ Tin-Lead Thickness
- ⑤ Plated Through-Hole

ACTION PIN Contact/PC Board Applications

| Connector Type | ACTION PIN Contact Material Thickness | Drilled Hole Diameter ^② | Plating Thicknesses | | Plated Through-Hole Diameter ^⑤ | Radial Hole Distortion | |
|----------------|---------------------------------------|------------------------------------|------------------------|------------------------|---|------------------------|---------------|
| | | | Copper ^{③*} | Tin-Lead ^④ | | Average | Maximum |
| Linear ZIF | .025 0.64 | .0453±.001 1.151±0.03 | .001-.003 0.03-0.08 | .0003 0.008 Min. | .037-.043 0.94-1.09 | Not Specified | Not Specified |

*Maximum hardness of copper layer is 150 Knoop.

Note: Recommended annular ring diameter is hole diameter plus .020 [0.51].

Linear ZIF Connectors (Continued)

Tooling

Assembly tooling is not required except when using connectors with ACTION PIN contacts. ACTION PIN contact assembly requires an arbor-style bench tool with a capacity of 40 lb [178 N] per contact, a support fixture, contact applicator, carrier removal tool and housing assembly tool.

Typical procedure is to place a PC board on the support fixture, insert contact combs into the printed circuit board with the contact applicator and seat with the arbor tool. Next, remove the carrier strip from the contact combs with the carrier break-off tool. Place the housing over the contacts with the housing assembly tool, and repeat the entire process until the board is complete.

.100 x .100 [2.54 x 2.54] Centerline Connectors

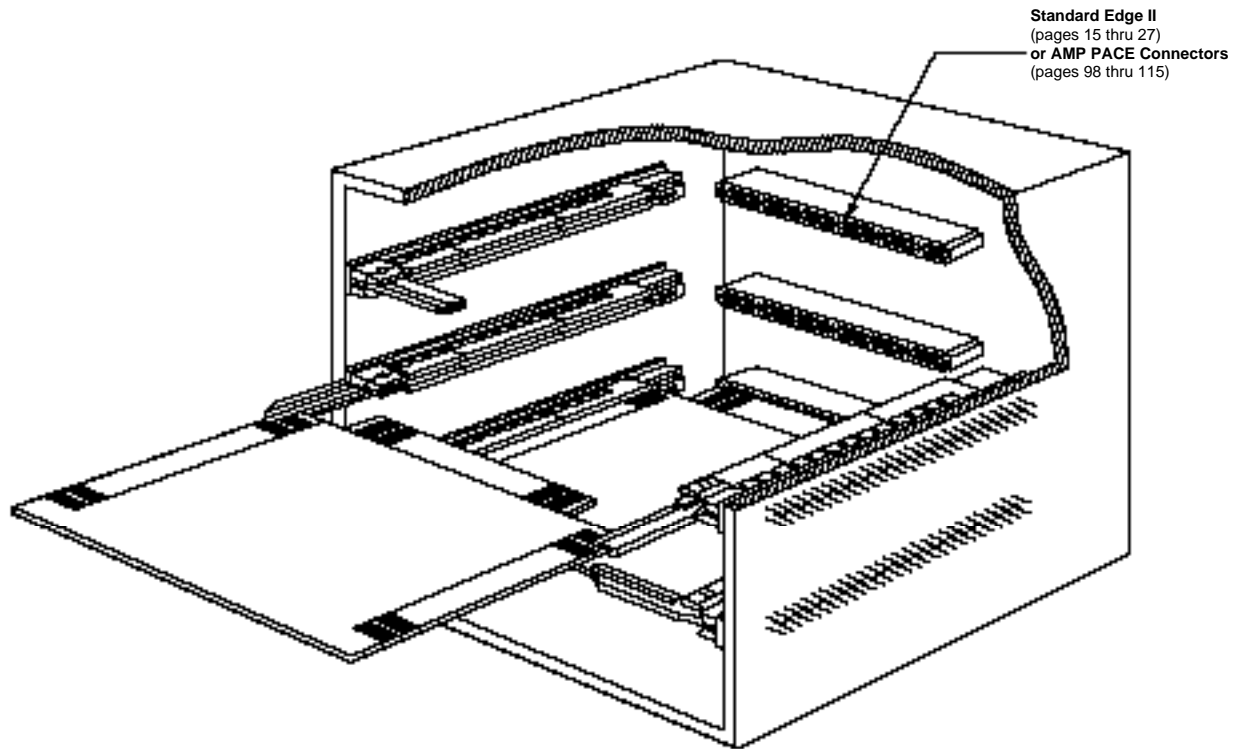
| No. of Dual Positions | T-Bar Applicator | Carrier Removal Tool | Housing Assembly Tool | Housing Removal Tool | Wing Removal/Replacement Tool | Housing Insertion Tool | Contact Replacement Tools | |
|-----------------------|------------------|----------------------|-----------------------|----------------------|-------------------------------|------------------------|---------------------------|-----------------|
| | | | | | | | With Housing | Without Housing |
| 50 | 266267-4 | 265924-4 | 313136-1 | | | | | |
| 80 | 266267-3 | 265924-4 | 313136-2 | | | | | |
| 100 | 266267-4 | 265924-4 | | | | | | |
| 110 | 266267-5 | 265924-4 | 313136-3 | | | | | |
| 115 | 266267-5 | 265924-4 | | 313256-1 | 266233-1 | 266264-1 | 266235-1 | 3-265871-2 |
| 120 | 266267-5 | 265924-4 | | | | | | |
| 125 | 266267-4 | 265924-4 | 313136-4 | | | | | |
| 140 | 266267-4 | 265924-4 | | | | | | |
| 175 | 266267-5 | 265924-4 | 313136-5 | | | | | |

.125 x .125 [3.18 x 3.18] Centerline Connectors

| No. of Dual Positions | T-Bar Applicator | Carrier Removal Tool | Housing Assembly Tool | Housing Removal Tool | Wing Removal/Replacement Tool | Housing Insertion Tool | Contact Replacement Tools | |
|-----------------------|------------------|----------------------|-----------------------|----------------------|-------------------------------|------------------------|---------------------------|-----------------|
| | | | | | | | With Housing | Without Housing |
| 40 | 313139-1 | 265924-4 | 313136-1 | | | | | |
| 52 | 313139-2 | 265924-6 | | | | | | |
| 56 | 313139-2 | 265924-6 | 313136-2 | | | | | |
| 60 | 313139-2 | 265924-7 | | | | | | |
| 72 | 313139-3 | 265924-4 | | 313256-1 | 266233-1 | 266264-1 | 266235-1 | 3-265871-2 |
| 84 | 313139-2 | 265924-5 | 313136-3 | | | | | |
| 112 | 313139-2 | 265924-7 | 313136-4 | | | | | |
| 124 | 313139-2 | 265924-5 | | | | | | |
| 140 | 313139-2 | 265924-5 | 313136-5 | | | | | |

Linear ZIF Connectors (Continued)**Special Application**

Use Linear and Rotary ZIF Connectors as Card Guides to access more sides of the Daughter Board.



ACTION PIN Press-Fit Contacts

The Reliable Plated Through-Hole Interconnect

Solderless interconnections have been popular in electrical and electronic application with world-wide success for decades. They provide reliable electrical and mechanical stability and offer applied-cost savings across the board. For PC board applications, ACTION PIN contacts from Tyco Electronics provide these features:

- Large gas-tight contact zone
- Reliability due to stored energy in compliant pin contacts
- No damage to plated through-holes during installation
- Especially suited for multilayer PC boards
- Less costly board manufacturing due to larger hole tolerances compared to use of solid pins
- Application can be made by end-user
- Repairability—contact can be replaced in the same pin location (two repairs)
- Installation with no heat cycling of board
- Permits mass insertion by minimizing forces needed to insert pins as compared to solid pin press-fit application
- Significant applied-cost savings in many applications

Since ACTION PIN contacts do not have to be soldered, issues associated with solder are eliminated, such as:

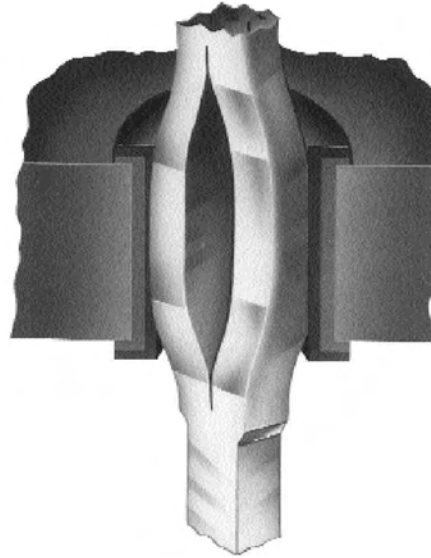
- Faulty solder joints
- Solder fumes; contaminant's are deposited on the contacts

- Solder spots; short circuits between printed circuits
- Flux residuals
- Thermal strain on printed circuit boards and components
- Degassing of plated through-holes

Solderless press-fit interconnections using the ACTION PIN contact are primarily integrated in, but not limited to, backplanes.

Solderless press-fit interconnections are used in racks, especially where connectors must be fixed on the solder side of the PC board and/or component side. In these applications, the holes for ACTION PIN contact connectors are covered during the soldering process and press-fitting is performed after soldering.

Other applications for ACTION PIN contact interconnections include PC boards that incorporate components using surface mount technology (SMT). Here, too, press-fit interconnections can be applied after soldering, thus eliminating complications associated with connectors suitable for surface mounting.

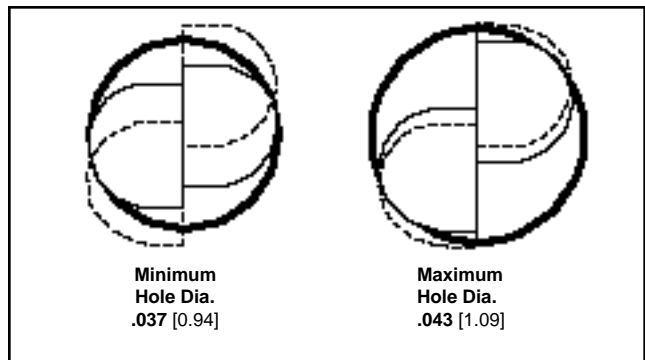


Principle of the Tyco Electronics Compliant ACTION PIN Contact

When an ACTION PIN contact is inserted into a plated through-hole, two spring members are compressed, exerting force against the hole for gas-tight connection. The diameter of the hole is smaller than the diagonal size of the pin (see cross-section illustration below).

The beam characteristics of the pin are designed so that a plastic, as well as an elastic, deformation takes place during insertion. The two spring members compress to different degrees

to accommodate hole tolerances. The compliant pin also reduces strain on the board. With a rigid pin, the elastic strain energy is stored entirely in the board, leading to damage of the plated through-holes. With the ACTION PIN contact, the residual force of the elastic deformation maintains stored energy to produce a tight contact zone between the pin and the plated through-hole. This provides long term electrical and mechanical reliability of the interconnection.



Cross-Section Area from Tyco Electronics ACTION PIN Press-Fit Contact in Printed Circuit Board Holes from Tyco Electronics.

Note: ACTION PIN contact mounting hole specifications are presented in each product section, where applicable.

AMP PACE Connectors

Performance Specifications

Electrical Characteristics

Contact Resistance: ACTION PIN Contact Interface—5 milliohm
Spring Contact to Test Board—11.5 milliohms

Total Circuit Resistance:
12 milliohms

Continuous Current Rating*:
3 amperes

Insulation Resistance:
5,000 milliohms

Dielectric Withstanding Voltage:
.100 [2.54] Centerline Spacing—
1,000 VAC at sea level;
350 VAC at 50,000 ft. [15,240 m];
275 VAC at 70,000 ft. [21,336 m]
.125 [3.18] Centerline Spacing—
1,500 VAC at sea level;
500 VAC at 50,000 ft. [15,240 m];
235 VAC at 70,000 ft. [21,336 m]

Physical Characteristics

Card Insertion Force (Max.):
16 oz [4.45 N] per contact pair
ACTION PIN Contact Post

Card Extraction Force (Min.):
1 oz [.278 N] per contact pair
ACTION PIN Contact Post

Retention (in PC board):
.100 x .100 [2.54 x 2.54]—
7.5 lb. [33.4 N] min.

Operating Temperature:
-55°C to +85°C

Durability: Tested to 100 cycles (100 insertions and withdrawals at a rate not exceeding 10 cycles per minute)

Salt Spray: MIL-STD-1344,
Method 1001

Physical Shock: MIL-STD-1344,
Method 2004

Thermal Shock: MIL-STD-1344,
Method 1003, Cond. A

Humidity: MIL-STD-1344,
Method 1002, Type II

Vibration: MIL-STD-1344,
Method 2005

Recognized under the Component Program of Underwriters Laboratories Inc., File No. E28476



Certified by Canadian Standards Association, File No. LR7189



*Consult Tyco Electronics engineering when paralleling contacts for power applications.



AMP PACE (Pre-Assembled Card Edge) Connectors are the latest innovation in the evolution of backplane architecture. Designed to shorten manufacturing time and reduce applied costs, these one-step, pre-assembled connectors are ready for mounting and mass insertion. In addition, design features such as removable housings and contacts, that

are replaceable through the top of the connector housing, for maximum flexibility in your backplane packaging.

At the heart of the AMP PACE Connector is AMP's proven and reliable ACTION PIN Contact. This unique contact has superior electrical and physical characteristics that are top of the line in the industry.

AMP PACE Connectors are available with post centerline spacings of:

- .100 x .100 [2.54 x 2.54]
- .100 x .200 [2.54 x 5.08]
- .125 x .125 [3.18 x 3.18]
- .125 x .250 [3.18 x 6.35]
- .156 x .200 [3.96 x 5.08]

Important:

Application tooling is absolutely necessary to insert connectors into PC boards. See page 115 for application tooling.

AMP PACE Connectors (Continued)

Product Facts

Repairability—

(See below for details)
Individual contacts can be removed without removing the housing; housings can be removed without removing posts. **Important:** APC must be inserted into the connector when removing the contact.

Precision Plated

Selective plating put: it is needed for superior contact at a reasonable cost.

Beam Contact Design

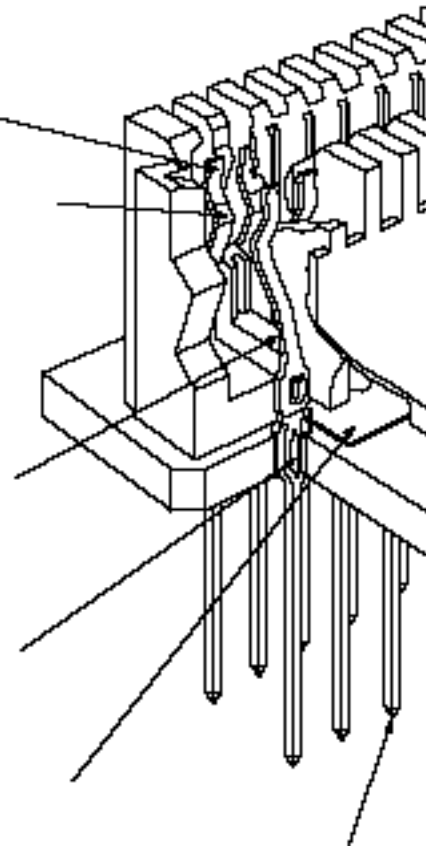
The contact's unique beam accommodates and compensates for daughter board warpage and stress providing long-term performance (100 gram normal force).

Gas-Tight Connector

Spring sections of ACTI contacts compress in opposite directions, maintaining a tight fit with the PC board.

Contact Tip Align

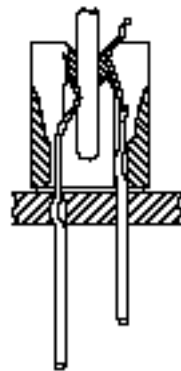
Polyester strip provides stable pin alignment and damage-free entry into the PC board.



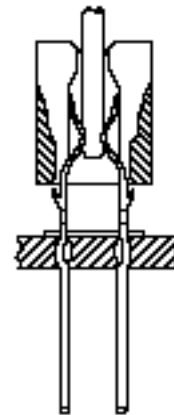
Precision Plated Post—

Gold plating can be applied to the entire post, or just the post tip for improved pluggability.

Repairability Details

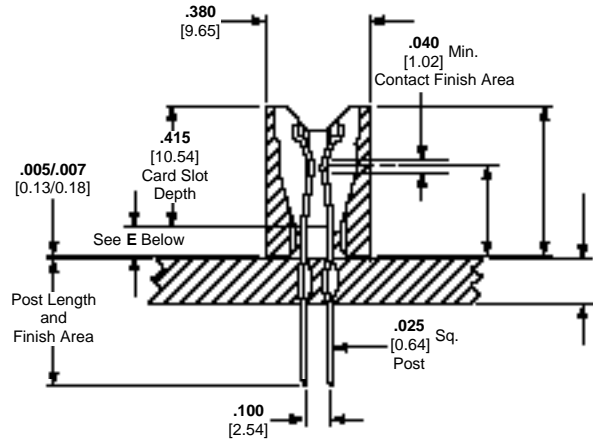
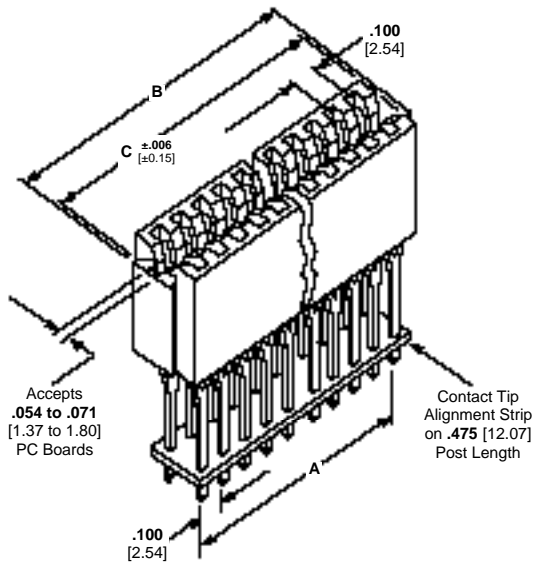


Remove and replace contacts without removing housing. (See page 115 for Contact Replacement Tools.)



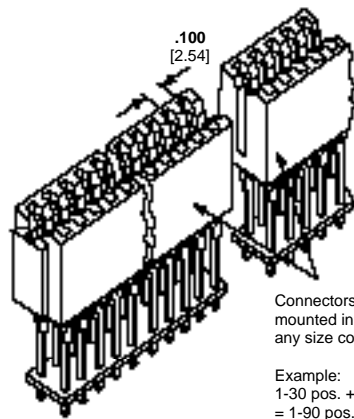
Remove and replace housing without removing contacts.

Standard Housing



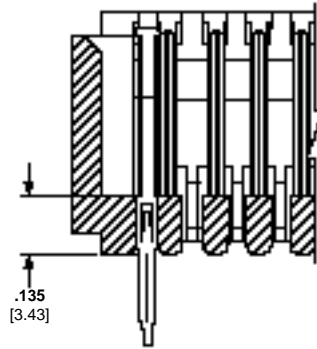
Board-to-Board Connectors
Press-Fit

**Typical Closed End/
Open End Housing**



Connectors can be mounted in pairs using any size combinations.

Example:
1-30 pos. + 1-60 pos.
= 1-90 pos.



Detail E

Keying Plugs



Intercontact (Plastic)
Part No. 118982-1



On-Contact (Plastic)
Part No. 119802-2

AMP PACE Connectors, .100 x .100 [2.54 x 2.54] Centerline (Continued)

Material and Finish:

Housing—Black glass-filled polyester, 94V-0 rated

Contacts—Phosphor bronze, plated gold .000030 [0.00076] min. thk. over .000050 [0.00127] min. thk. nickel in contact area, .000100 [0.00254] min. tin-lead on posts, with entire contact underplated .000050 [0.00127] min. nickel

Contact Tip Alignment Strip—Clear polyester, type D

Note: Full palladium-nickel plated posts and other platings and plating thicknesses can be made available.

Related Product Data:

Performance Specifications—page 98

Accessories—page 112

PC Board Edge Pattern—page 113

ACTION PIN Contact Mounting Hole Specifications—page 114

Application Tooling—page 115

Contact Replacement Tools—page 115

Special Application—page 96

Technical Documents:

(pages 186, 187):

Product Specifications
108-14019, 108-26003

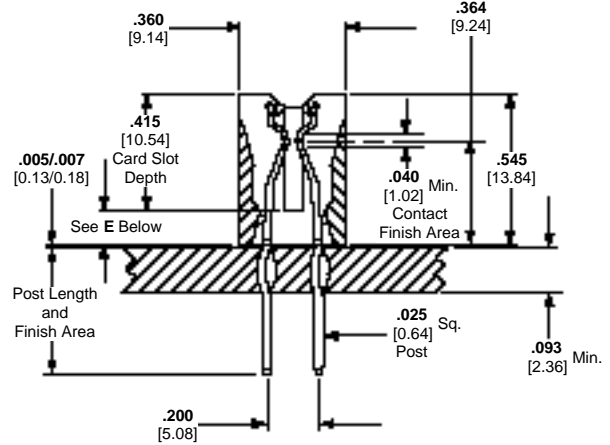
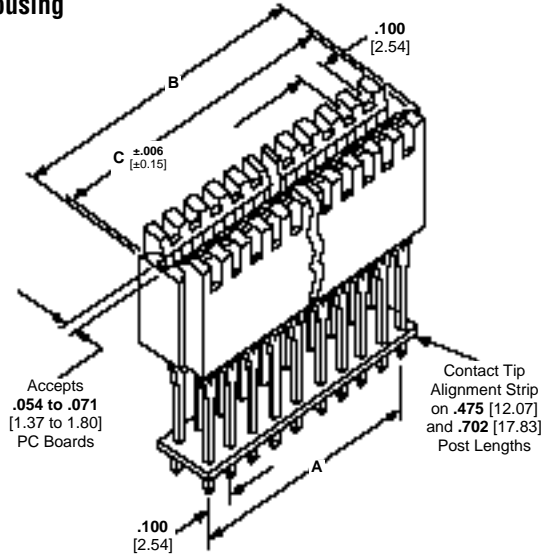
Application Specification
114-26002

Instruction Sheets 408-2978,
408-2979, 408-6881, 408-9091,
408-9188

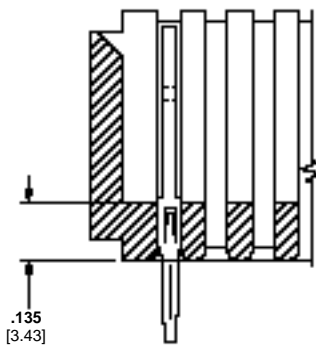
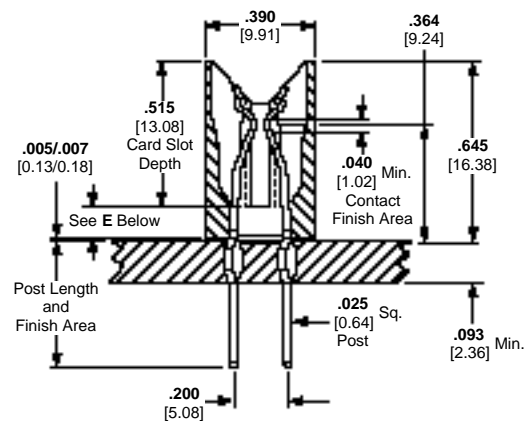
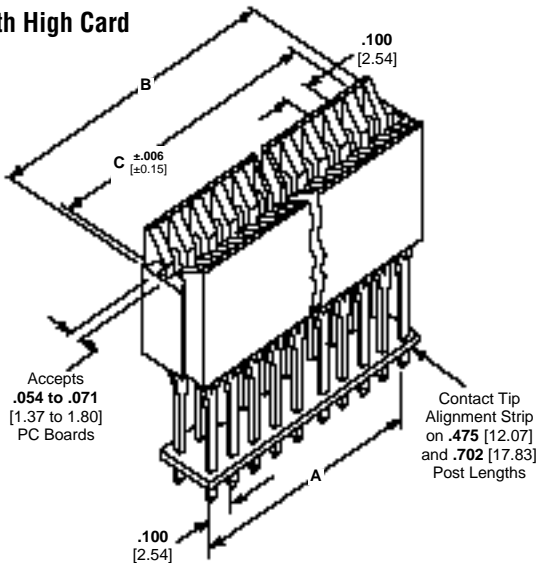
| No. of Dual Positions | Dimensions | | | Post Length | Closed/Closed | | Closed/Open Standard |
|-----------------------|--------------|--------------|--------------|-------------|---------------|------------|----------------------|
| | A | B | C | | Standard | Scoop | |
| 15 | 1.400 | 1.734 | 1.604 | .180 | 119734-1 | 119736-1 | — |
| | 35.56 | 44.04 | 40.74 | 4.57 | 119237-1 | — | — |
| 20 | 1.900 | 2.234 | 2.104 | .180 | 119734-6 | — | — |
| | 48.26 | 56.74 | 53.44 | 4.57 | — | — | — |
| 25 | 2.400 | 2.734 | 2.604 | .180 | 1-119734-1 | — | — |
| | 60.96 | 69.44 | 66.14 | 4.57 | — | — | — |
| 28 | 2.700 | 3.034 | 2.904 | .180 | 1-119734-4 | — | — |
| | 68.58 | 77.06 | 73.76 | 4.57 | — | — | — |
| 31 | 3.000 | 3.334 | 3.204 | .475 | 1-119237-7 | — | — |
| | 76.20 | 84.68 | 81.38 | 12.07 | — | — | — |
| 35 | 3.400 | 3.734 | 3.604 | .180 | 2-119734-1 | — | 119831-6 |
| | 83.36 | 94.84 | 91.54 | 4.57 | — | — | 119413-6 |
| 40 | 3.900 | 4.234 | 4.104 | .180 | 2-119734-6 | 2-119736-6 | — |
| | 99.06 | 107.54 | 104.24 | 4.57 | — | — | — |
| 48 | 4.700 | 5.034 | 4.904 | .475 | 3-119237-4 | — | — |
| | 119.38 | 127.86 | 124.56 | 12.07 | — | — | — |
| 50 | 4.900 | 5.234 | 5.104 | .180 | 3-119734-6 | — | — |
| | 124.46 | 132.94 | 129.64 | 4.57 | — | — | — |
| 60 | 5.900 | 6.234 | 6.104 | .180 | 4-119734-6 | 4-119736-6 | — |
| | 149.86 | 158.34 | 155.04 | 4.57 | — | — | — |

Note: Other connector sizes and connectors with card scoops can be made available, consult Tyco Electronics.

Standard Housing



Housing with High Card Scoops



Detail E

Keying Plugs



Intercontact (Plastic)
Part No. 118982-1



On-Contact (Plastic)
Part No. 118982-2

AMP PACE Connectors, .100 x .200 [2.54 x 5.08] Centerline (Continued)

Material and Finish:

Housing—Black glass-filled polyester, 94V-0 rated

Contacts—Phosphor bronze, plated gold .000030 [0.00076] min. thk. over .000050 [0.00127] min. thk. nickel in contact area, .000100 [0.00254] min. tin-lead on posts, with entire contact underplated .000050 [0.00127] min. nickel

Contact Tip Alignment Strip—Clear polyester, type D

Note: Full palladium-nickel plated posts and other platings and plating thicknesses can be made available.

Related Product Data:

Performance Specifications—page 98

Accessories—page 112

PC Board Edge Pattern—page 113

ACTION PIN Contact Mounting Hole Specifications—page 114

Application Tooling—page 115

Contact Replacement Tools—page 115

Special Application—page 96

Technical Documents:

(pages 186, 187):

Product Specifications
108-14019, 108-26003

Application Specification
114-26002

Instruction Sheets 408-2933,
408-2978, 408-2979, 408-9058,
408-9067, 408-9091, 408-9186

| No. of Dual Positions | Dimensions | | | Post Length | Closed End/Closed End | |
|-----------------------|--------------|--------------|--------------|-------------|-----------------------|------------|
| | A | B | C | | Standard | High Scoop |
| 10 | .900 | 1.234 | 1.104 | .180 | — | 650297-1 |
| | 22.86 | 31.34 | 28.04 | 4.57 | | |
| 15 | 1.400 | 1.734 | 1.604 | .180 | 119738-1 | 119791-1 |
| | 35.56 | 44.04 | 40.74 | 4.57 | | |
| 18 | 1.700 | 2.034 | 1.904 | .180 | 119738-4 | — |
| | 43.18 | 51.66 | 48.36 | 4.57 | | |
| 20 | 1.900 | 2.234 | 2.104 | .180 | 119738-6 | — |
| | 48.26 | 56.74 | 53.44 | 4.57 | | |
| 22 | 2.100 | 2.434 | 2.304 | .180 | 119738-8 | — |
| | 53.34 | 61.82 | 58.52 | 4.57 | | |
| 24 | 2.300 | 2.634 | 2.504 | .180 | 1-119738-0 | — |
| | 58.42 | 66.90 | 63.60 | 4.57 | | |
| 25 | 2.400 | 2.734 | 2.604 | .180 | 1-119738-1 | — |
| | 60.96 | 69.44 | 66.14 | 4.57 | | |
| 28 | 2.700 | 3.034 | 2.904 | .180 | 1-119738-4 | — |
| | 68.58 | 77.06 | 73.76 | 4.57 | | |
| 30 | 2.900 | 3.234 | 3.104 | .180 | 1-119738-6 | 1-119791-6 |
| | 73.66 | 82.14 | 78.84 | 4.57 | | |
| 31 | 3.000 | 3.334 | 3.204 | .180 | 1-119738-7 | — |
| | 76.20 | 84.68 | 81.38 | 4.57 | | |
| 32 | 3.100 | 3.434 | 3.304 | .180 | 1-650122-8 | — |
| | 78.74 | 87.22 | 83.92 | 4.57 | | |
| 34 | 3.300 | 3.634 | 3.504 | .180 | — | 2-119791-0 |
| | 83.82 | 92.30 | 88.90 | 4.57 | | |
| 35 | 3.400 | 3.734 | 3.604 | .180 | 2-119216-0 | — |
| | 86.36 | 94.84 | 91.54 | 4.57 | | |
| 36 | 3.500 | 3.834 | 3.704 | .180 | 2-119216-1 | — |
| | 88.90 | 97.38 | 94.08 | 4.57 | | |
| 37 | 3.600 | 3.934 | 3.804 | .180 | 2-119216-2 | — |
| | 91.44 | 99.92 | 96.62 | 4.57 | | |
| 40 | 3.900 | 4.234 | 4.104 | .180 | 2-650122-3 | — |
| | 99.06 | 107.54 | 104.24 | 4.57 | | |
| 43 | 4.200 | 4.534 | 4.404 | .180 | 2-119216-6 | — |
| | 106.68 | 115.16 | 111.86 | 4.57 | | |
| 44 | 4.300 | 4.634 | 4.504 | .180 | 2-119216-9 | — |
| | 109.22 | 117.70 | 114.40 | 4.57 | | |
| 50 | 4.900 | 5.234 | 5.104 | .180 | 3-119216-0 | — |
| | 124.46 | 132.94 | 129.64 | 4.57 | | |
| 55 | 5.400 | 5.734 | 5.604 | .180 | 3-119738-6 | 3-119791-6 |
| | 137.16 | 145.54 | 142.34 | 4.57 | | |
| 60 | 5.900 | 6.234 | 6.104 | .180 | 3-119216-6 | — |
| | 149.86 | 158.34 | 155.04 | 4.57 | | |
| 60 | 5.900 | 6.234 | 6.104 | .180 | 4-119738-1 | 4-650124-1 |
| | 149.86 | 158.34 | 155.04 | 4.57 | | |
| 60 | 5.900 | 6.234 | 6.104 | .180 | 119677-1 | — |
| | 149.86 | 158.34 | 155.04 | 4.57 | | |

Note: Other connector sizes can be made available, consult Tyco Electronics.

Press-Fit
Board-to-Board Connectors

AMP PACE Connectors, .125 x .125 [3.18 x 3.18] Centerline

Material and Finish:

Housing—Black glass-filled polyester, 94V-0 rated

Contacts—Phosphor bronze, plated gold .000030 [0.00076] min. thk. over .000050 [0.00127] min. thk. palladium-nickel in contact area, .000100 [0.00254] min. tin-lead on posts, with entire contact underplated. .000050 [0.00127] min. nickel

Contact Tip Alignment Strip—Clear polyester, type D

Note: Full palladium-nickel plated posts and other platings and plating thicknesses can be made available.

Related Product Data:

Performance Specifications—page 98

Accessories—page 112

PC Board Edge Pattern—page 113

ACTION PIN Contact Mounting Hole Specifications—page 114

Application Tooling—page 115

Contact Replacement Tools—page 115

Special Application—page 96

Technical Documents:

(pages 186, 187):

Product Specifications

108-14019, 108-26003

Application Specification

114-26002

Instruction Sheets 408-6727,

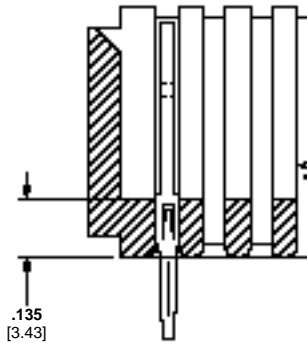
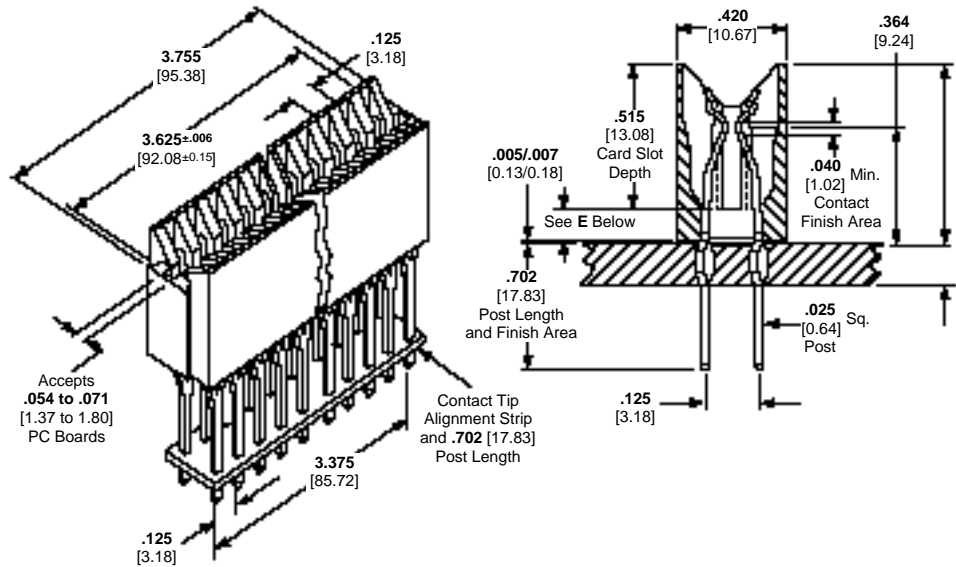
408-9186

Housing with High Card

Scoops

28 Dual Positions

Part Number 1-119853-4



Detail E

Keying Plugs



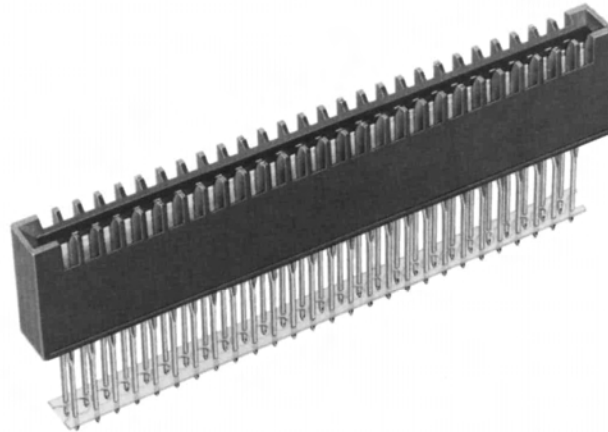
Intercontact (Plastic)
Part No. 118982-1



On-Contact (Plastic)
Part No. 119802-2

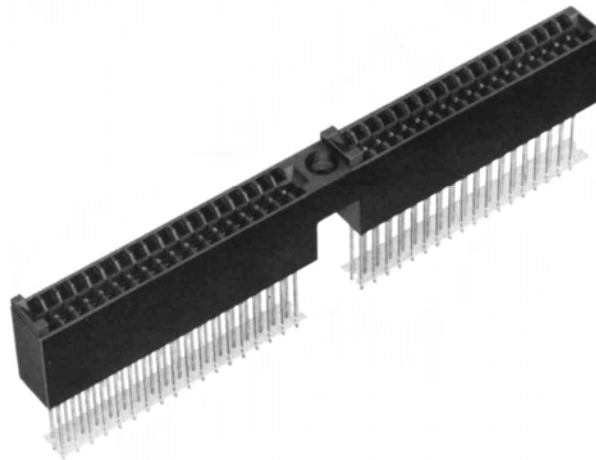
AMP PACE Connector Specials, .125 x .125 [3.18 x 3.18] Centerline**27 Dual Positions**

Tin-Lead Posts
.634 [16.10] Long
 Part No. 645394-1

**18 or 36 Dual Positions**

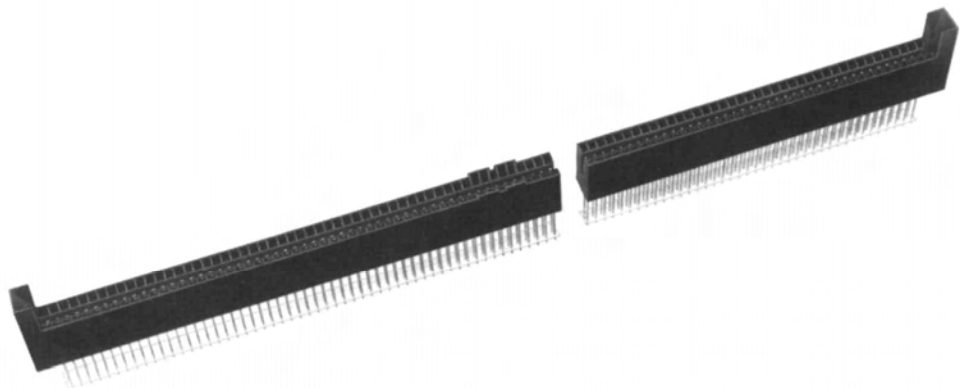
Tin-Lead Posts
.740 [18.80] Long
 Part No. 119552-2

Tin-Lead Posts
.180 [4.57] Long
 Part No. 119880-1

**97 Dual Positions**

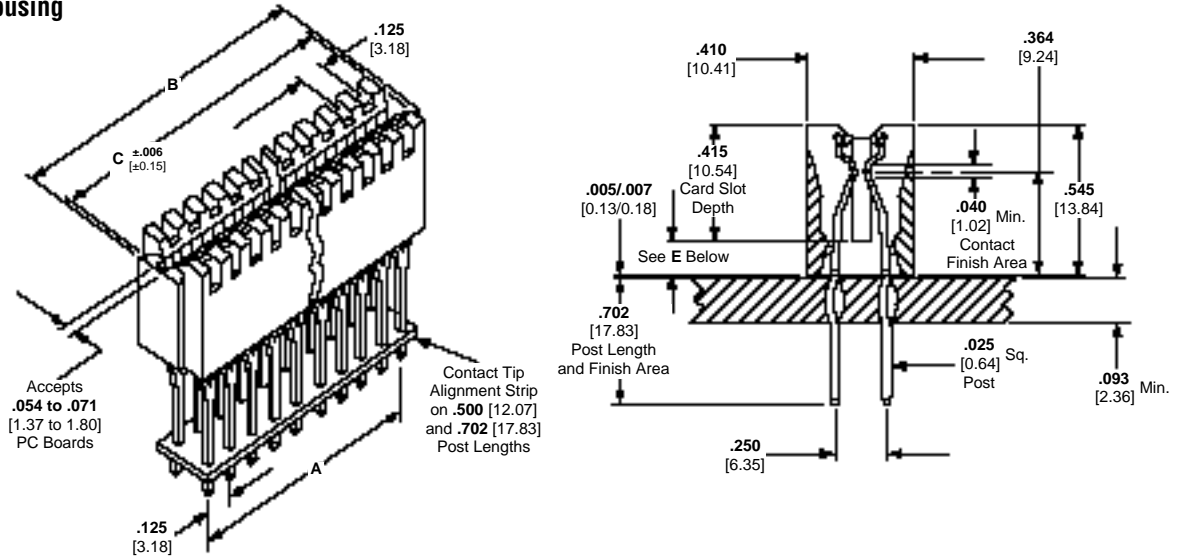
(Two-piece Closed End/Open End with Partial Card Scoops and Card Guides)

Contact Tyco Electronics for specific Part Number information.

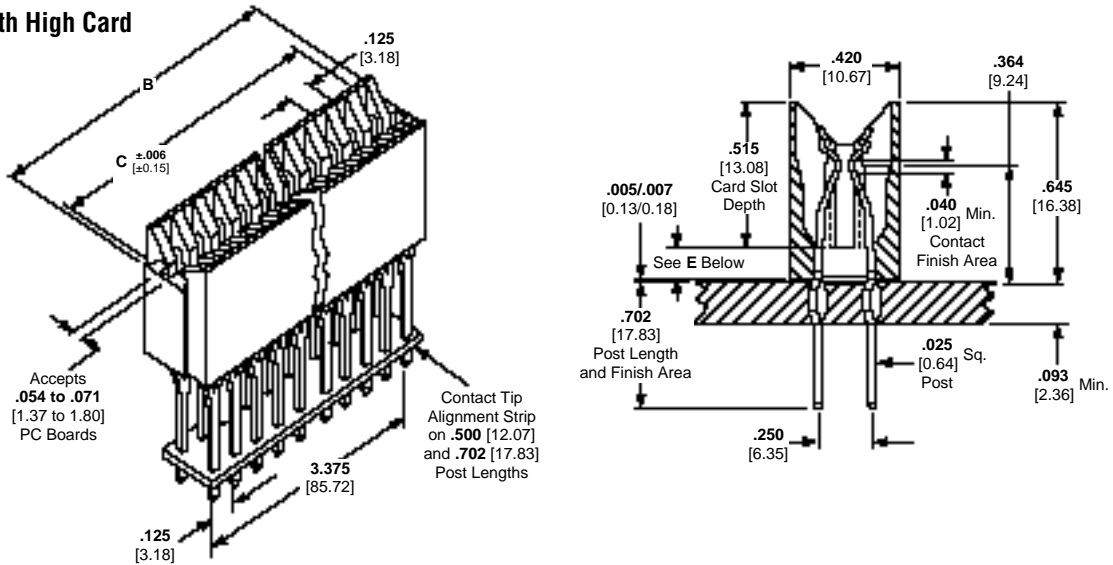


AMP PACE Connectors, .125 x .250 [3.18 x 6.35] Centerline

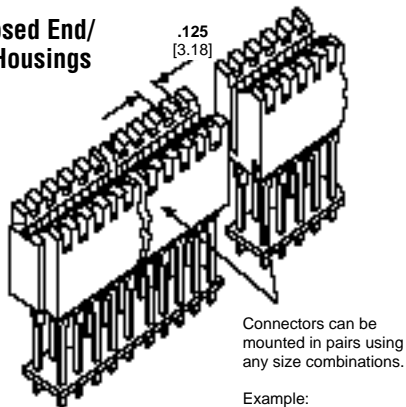
Standard Housing



Housing with High Card Scoops



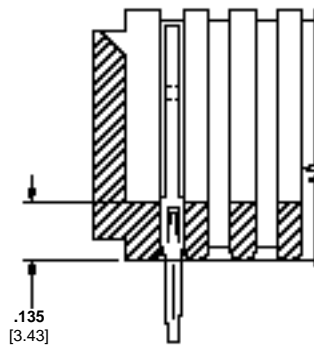
**Typical Closed End/
Open End Housings**



Connectors can be mounted in pairs using any size combinations.

Example:
1-30 pos. + 1-60 pos.
= 1-90 pos.

Keying Plugs



Detail E

Intercontact (Plastic)
Part No. 118982-1

On-Contact (Plastic)
Part No. 119802-2

AMP PACE Connectors, .125 x .250 [3.18 x 6.35] Centerline (Continued)

Material and Finish:

Housing—Black glass-filled polyester, 94V-0 rated

Contacts—Phosphor bronze, plated gold .000030 [0.00076] min. thk. over .000050 [0.00127] min. thk. nickel in contact area, .000100 [0.00254] min. tin-lead on posts, with entire contact underplated .000050 [0.00127] min. nickel

Contact Tip Alignment Strip—Clear polyester, type D

Note: Full palladium-nickel plated posts and other platings and plating thicknesses can be made available.

Related Product Data:

Performance Specifications—page 98

Accessories—page 112

PC Board Edge Pattern—page 113

ACTION PIN Contact Mounting Hole Specifications—page 114

Application Tooling—page 115

Contact Replacement Tools—page 115

Special Application—page 96

Technical Documents:

(pages 186, 187):

Product Specifications
108-14019, 108-26003

Application Specification
114-26002

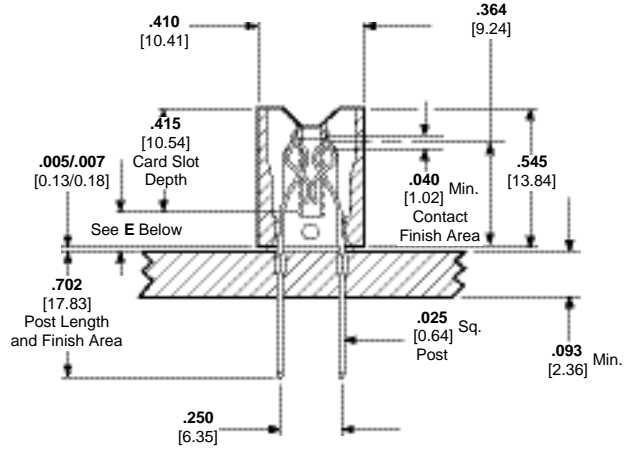
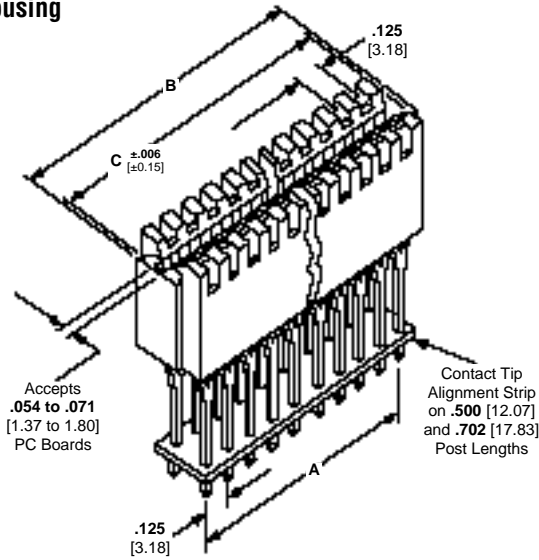
Instruction Sheets 408-2933,
408-2978, 408-2979, 408-9063,
408-9091, 408-9119, 408-9186

| No. of Dual Positions | Dimensions | | | Post Length | Closed End/Closed End | | Closed End/Open End High Scoop |
|-----------------------|------------|-------|-------|-------------|-----------------------|------------|--------------------------------|
| | A | B | C | | Standard | High Scoop | |
| 18 | 2.125 | 2.373 | 2.505 | .180 | 119822-4 | — | 3-119840-2 |
| | 53.98 | 60.27 | 63.63 | 4.57 | | | |
| 22 | 2.625 | 3.005 | 2.875 | .180 | 119200-8 | — | — |
| | | | | 4.57 | | | |
| | | | | .500 | | | |
| 25 | 3.000 | 3.380 | 3.250 | .180 | 1-119822-1 | — | — |
| | | | | 4.57 | | | |
| 27 | 3.250 | 3.630 | 3.500 | .702 | 1-119202-3 | — | — |
| | | | | 17.83 | | | |
| 28 | 3.375 | 3.755 | 3.625 | .180 | 1-119822-4 | — | — |
| | | | | 4.57 | | | |
| 30 | 3.625 | 4.005 | 3.875 | .500 | 1-119200-4 | — | — |
| | | | | 12.70 | | | |
| | | | | .180 | | | |
| 36 | 4.375 | 4.755 | 4.625 | .180 | 1-119822-6 | 678034-1 | — |
| | | | | 4.57 | | | |
| 38 | 4.625 | 4.873 | 5.005 | .500 | 2-119822-2 | 678034-2 | — |
| | | | | 12.70 | | | |
| 40 | 4.875 | 5.255 | 5.125 | .180 | 2-119841-6 | — | — |
| | | | | 4.57 | | | |
| 50 | 4.625 | 4.873 | 5.005 | .180 | 2-119822-4 | — | 119840-9 |
| | | | | 4.57 | | | |
| 51 | 4.875 | 5.255 | 5.125 | .180 | 2-119822-6 | — | — |
| | | | | 4.57 | | | |
| 60 | 6.125 | 6.505 | 6.375 | .180 | 2-119200-6 | — | — |
| | | | | 4.57 | | | |
| 51 | 6.250 | 6.630 | 6.500 | .500 | 3-119822-6 | — | — |
| | | | | 12.70 | | | |
| 60 | 7.375 | 7.755 | 7.625 | .180 | 3-119200-7 | — | — |
| | | | | 4.57 | | | |
| 60 | 7.375 | 7.755 | 7.625 | .180 | 4-119822-6 | — | — |
| | | | | 4.57 | | | |

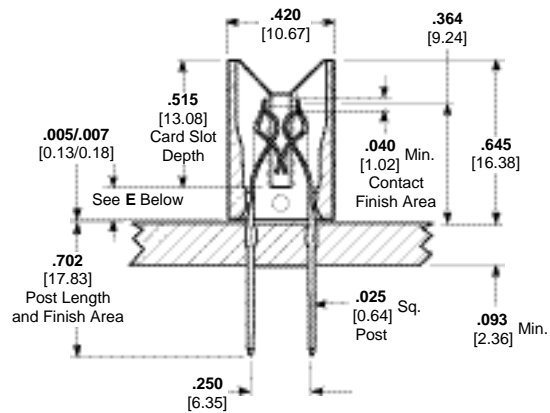
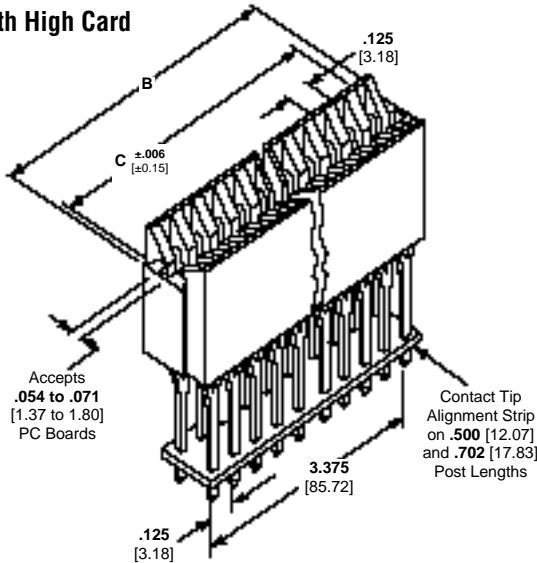
Note: Other connector sizes can be made available, consult Tyco Electronics.

AMP PACE Connectors, .125 x .250 [3.18 x 6.35] Centerline w/ Make Before Break Contacts

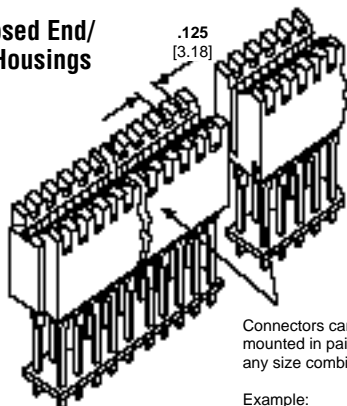
Standard Housing



Housing with High Card Scoops

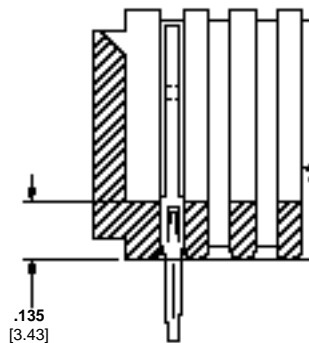


Typical Closed End/ Open End Housings



Connectors can be mounted in pairs using any size combinations.

Example:
1-30 pos. + 1-60 pos.
= 1-90 pos.



Detail E

Keying Plugs



Intercontact (Plastic)
Part No. 118982-1



On-Contact (Plastic)
Part No. 118982-2

AMP PACE Connectors, .125 x .250 [3.18 x 6.35] Centerline w/ Make Before Break Contacts (Continued)

Material and Finish:

Housing—Black glass-filled polyester, 94V-0 rated

Contacts—Phosphor bronze, plated gold .000030 [0.00076] min. thk. over .000050 [0.00127] min. thk. nickel in contact area, .000100 [0.00254] min. tin-lead on posts, with entire contact underplated .000050 [0.00127] min. nickel

Contact Tip Alignment Strip—Clear polyester, type D

Note: Full palladium-nickel plated posts and other platings and plating thicknesses can be made available.

| No. of Dual Positions | Dimensions | | | Post Length | Closed End/Closed End | Closed End/Open End |
|-----------------------|----------------|----------------|----------------|--------------|-----------------------|---------------------|
| | A | B | C | | Standard | High Scoop |
| 18 | 2.125 53.98 | 2.505 63.63 | 2.373 60.27 | .180 4.57 | 1571235-1 | — |
| 24 | 2.875 76.20 | 3.123 79.25 | 3.058 77.67 | .180 4.57 | — | 650059-2 |

Note: Other connector sizes can be made available, consult Tyco Electronics.

Related Product Data:

Performance Specifications—page 98

Accessories—page 112

PC Board Edge Pattern—page 113

ACTION PIN Contact Mounting Hole Specifications—page 114

Application Tooling—page 115

Contact Replacement Tools—page 115

Special Application—page 96

Technical Documents:

(pages 186, 187):

Product Specifications
108-14019, 108-26003

Application Specification
114-26002

Instruction Sheets 408-2933,
408-2978, 408-2979, 408-9063,
408-9091, 408-9119, 408-9186

AMP PACE Connectors, .156 x .200 [3.96 x 5.08] Centerline

Material and Finish:

Housing—Black glass-filled polyester, 94V-0 rated

Contacts—Phosphor bronze, plated gold .000030 [0.00076] min. thk. over .000050 [0.00127] min. thk. nickel in contact area, .000100 [0.00254] min. tin-lead on posts, with entire contact underplated .000050 [0.00127] min. nickel

Contact Tip Alignment Strip—Clear polyester, type D

Note: Full palladium-nickel plated posts and other platings and plating thicknesses can be made available.

Related Product Data:

Performance Specifications—page 98

Accessories—page 112

PC Board Edge Pattern—page 113

ACTION PIN Contact Mounting Hole Specifications—page 114

Application Tooling—page 115

Contact Replacement Tools—page 115

Special Application—page 96

Technical Documents:

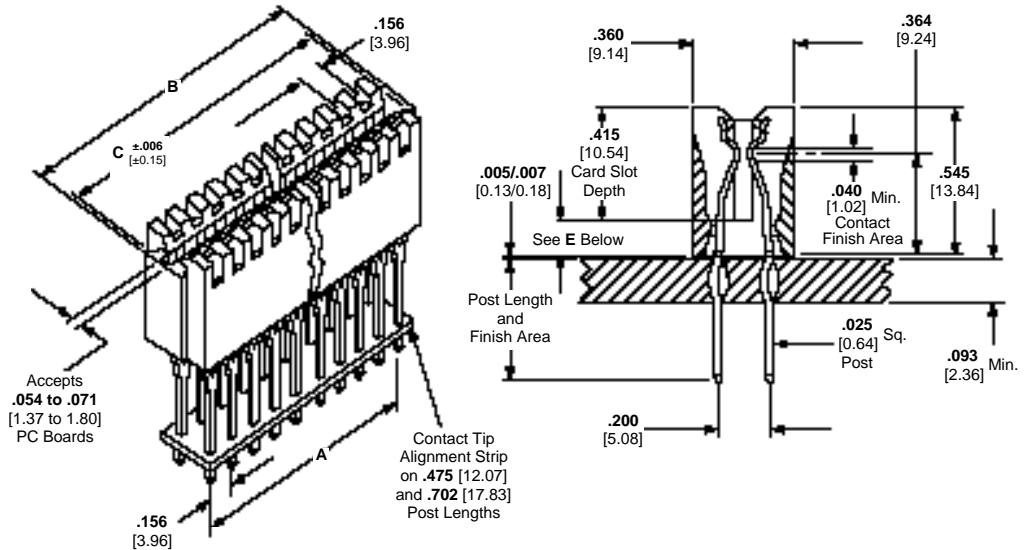
(pages 186, 187):

Product Specifications
108-14019, 108-26003

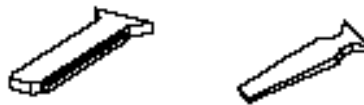
Application Specification
114-26002

Instruction Sheets 408-6726,
408-9186

Standard Housing

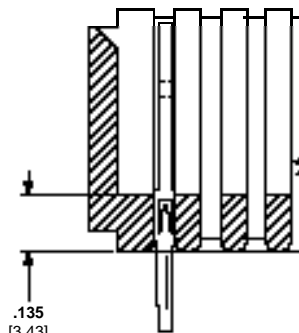


Keying Plugs



Intercontact (Plastic)
Part No. 118982-1

On-Contact (Plastic)
Part No. 119802-2



Detail E

| No. of Dual Positions | Dimensions | | | Post Length | Closed End/Closed End Standard |
|-----------------------|-----------------|-----------------|-----------------|---------------|--------------------------------|
| | A | B | C | | |
| 15 | 2.184 55.47 | 2.626 66.70 | 2.495 63.39 | .180 4.57 | 119790-1 |
| | | | | .475 12.07 | 119254-1 |
| | | | | .702 17.83 | 119256-1 |
| 18 | 2.652 67.36 | 3.094 78.59 | 2.964 75.29 | .475 12.07 | 119254-4 |
| | | | | .180 4.57 | 119790-8 |
| | | | | .702 17.83 | 119256-8 |
| 22 | 3.276 83.21 | 3.718 94.44 | 3.588 91.13 | .180 4.57 | 1-119790-4 |
| | | | | .475 12.07 | 1-119254-4 |
| | | | | .702 17.83 | 1-119256-4 |
| 28 | 4.212 106.98 | 4.654 118.21 | 4.524 114.91 | .180 4.57 | 2-119790-9 |
| | | | | .475 12.07 | 2-119254-9 |
| | | | | .702 17.83 | 2-119256-9 |
| 43 | 6.552 166.42 | 6.994 177.65 | 6.864 174.35 | .180 4.57 | |
| | | | | .475 12.07 | |
| | | | | .702 17.83 | |

Note: Other connector sizes can be made available, consult Tyco Electronics.

AMP PACE Connectors, .156 x .200 [3.96 x 5.08] Centerline w/Make Before Break Contacts

Material and Finish:

Housing—Black glass-filled polyester, 94V-0 rated

Contacts—Phosphor bronze, plated gold flash over .000030 [0.00076] min. thk. over .000050 [0.00127] min. thk. nickel in contact area, .000100 [0.00254] min. tin-lead on posts, with entire contact underplated. .000050 [0.00127] min. nickel

Contact Tip Alignment Strip—Clear polyester, type D

Note: Full palladium-nickel plated posts and other platings and plating thicknesses can be made available.

Related Product Data:

Performance Specifications—page 98

Accessories—page 112

PC Board Edge Pattern—page 113

ACTION PIN Contact Mounting Hole Specifications—page 114

Application Tooling—page 115

Contact Replacement Tools—page 115

Special Application—page 96

Technical Documents:

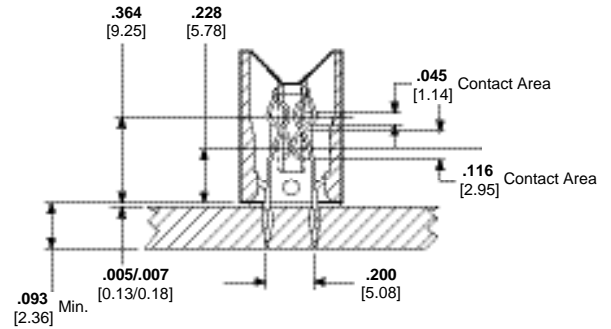
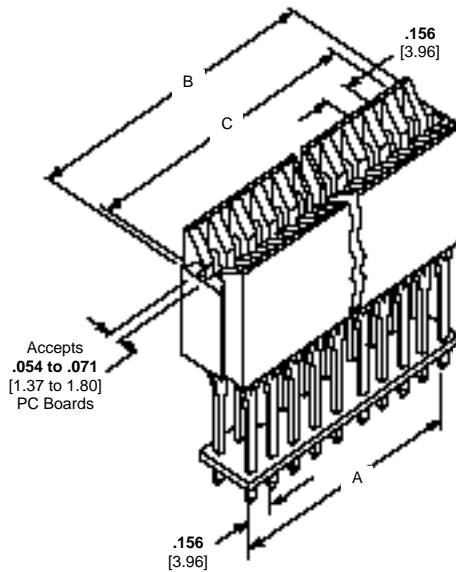
(pages 186, 187):

Product Specifications
108-14019, 108-26003

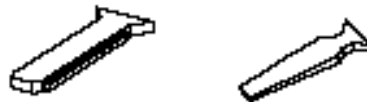
Application Specification
114-26002

Instruction Sheets 408-6726,
408-9186

Card Scoop Housing

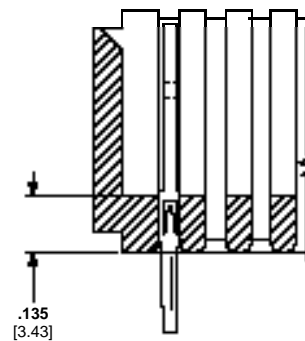


Keying Plugs



Intercontact (Plastic)
Part No. 118982-1

On-Contact (Plastic)
Part No. 119802-2



Detail E

| No. of Dual Positions | Dimensions | | | Post Length | Closed End/Closed End Scoop |
|-----------------------|----------------|----------------|----------------|--------------|-----------------------------|
| | A | B | C | | |
| 18 | 2.652 67.36 | 3.094 78.59 | 2.964 75.29 | .180 4.57 | 678035-1 |

Note: Other connector sizes can be made available, consult Tyco Electronics.

Press-Fit
Board-to-Board Connectors

Connector Card Guide

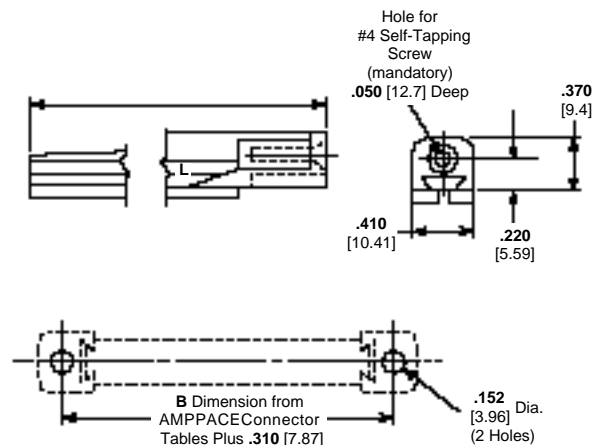
Material: Black glass-filled polyester

Related Product Data:

Mates with all standard housings (will not mate with some special housings)

Technical Documents:

(pages 186, 187):
Instruction Sheet 408-9091



| L1 | Part Numbers |
|-----------------|--------------|
| 2.500 63.50 | 117169-3 |
| 6.000 152.40 | 1-117169-3 |

¹Other lengths up to 6.0 [152.4] can be made available. Consult Tyco Electronics for details.

Press-Fit Board-to-Board Connectors

Ground Module

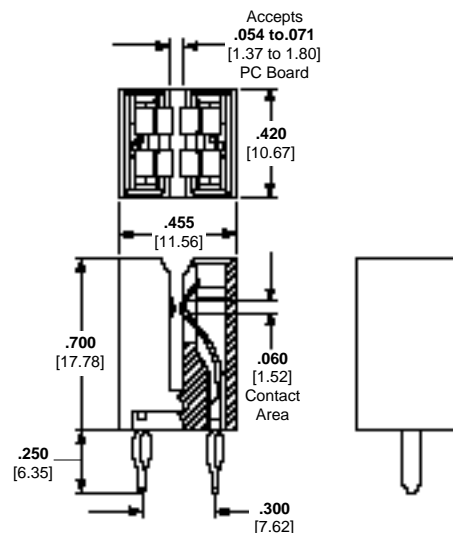
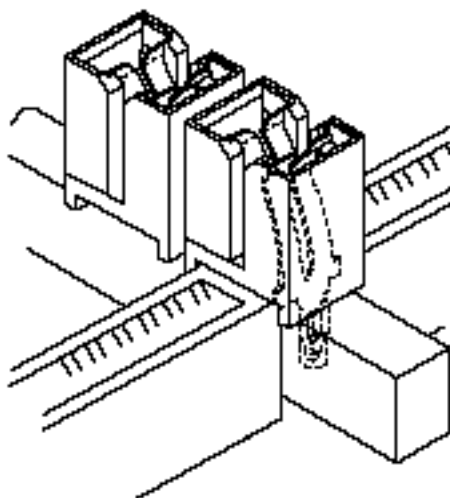
Rating:

20 amperes per contact—Copper or aluminum bus

Material and Finish:

Housing—Black glass-reinforced thermoplastic

Contact—CA 195, 3/4 hard, plated .000050 [0.00127] gold in contact area (front face only); .000100 [0.00254] tin-lead on post, with entire contact under-plated .000050 [0.00127] nickel



Part No. 119341-1
Seating Tool 59881-1

Related Product Data:

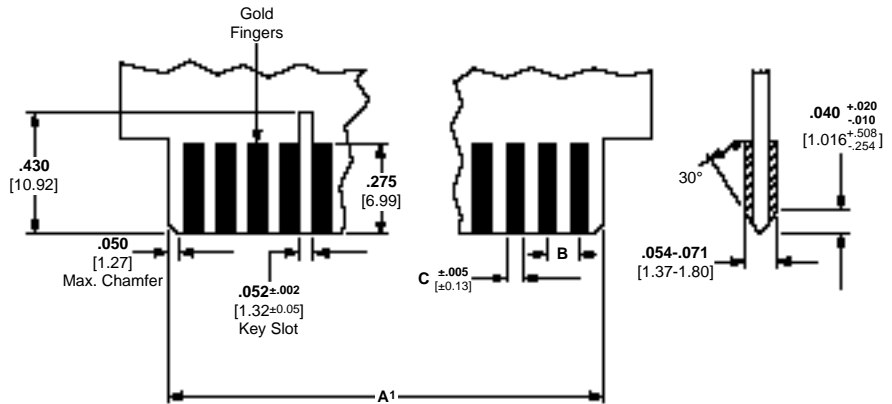
Mates with all standard housings (will not mate with some special housings)

Technical Documents:

(pages 186, 187):
Instruction Sheet 408-2978

PC Board Layout for AMP PACE Connectors

**Recommended
PC Board Edge Pattern**



¹A Max. = Minimum connector card slot $-.001$ [-0.03].
A Min. = Minimum connector card slot $-.011$ [-0.28].

Note: Finger pattern to be centered on daughter card.
Each finger can deviate $.003$ [0.08] from true position.

| AMP PACE Connector Centerline Spacing | Dimensions | |
|--|---------------------|---------------------|
| | B | C |
| .100 x .100 2.54 x 2.54 | .100 2.54 | .070 1.78 |
| .100 x .200 2.54 x 5.08 | .100 2.54 | .070 1.78 |
| .125 x .125 3.18 x 3.18 | .125 3.18 | .080 2.03 |
| .125 x .250 3.18 x 6.35 | .125 3.18 | .080 2.03 |
| .156 x .200 3.96 x 5.08 | .156 3.96 | .080 2.03 |

Press-Fit
Board-to-Board Connectors

AMP PACE Connectors (Continued)

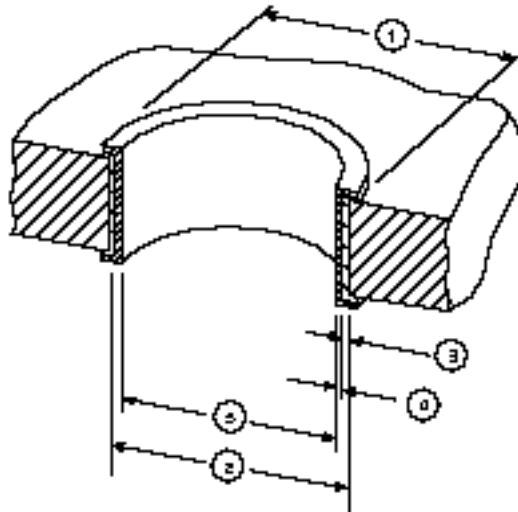
**AMP ACTION PIN
Press-Fit Contacts**



ACTION PIN contacts provide a reliable press-fit connection. Localized pressure in the interface area entails oxide break-through and helps prevent corrosion in the harshest environments to provide a reliable connection virtually every time. Also, radial and axial distortion are controlled to meet today's standards for multilayer board applications.

PC Board Thickness

ACTION PIN contacts are designed for use in a variety of PC board thicknesses. However, certain ACTION PIN contacts are to be used in specific ranges of board thicknesses. To promote optimum performance, the recommended board thicknesses provided with the connector being used must be followed.



- ① Annular Ring (See Note)
- ② Drilled Hole
- ③ Copper Thickness
- ④ Tin-Lead Thickness
- ⑤ Plated Through-Hole

Mounting Hole Specifications

| Connector | | ACTION PIN Contact Material Thickness | Drilled Hole Diameter ^② | Plating Thicknesses | | Plated Through-Hole Diameter ^⑤ | Radial Hole Distortion | |
|----------------------------|--------------------------|---|---------------------------------------|------------------------|------------------------|---|------------------------|------------------|
| Centerline | No. of Dual Positions | | | Copper ^{③*} | Tin-Lead ^④ | | Average | Maximum |
| .125 x .125 3.18 x 3.18 | 28, 97 | .025 0.64 | .0453±.001 1.151±0.03 | .001-.003 0.03-0.08 | .0003 0.008 Min. | .037-.043 0.94-1.09 | Not Specified | Not Specified |
| .156 x .200 3.96 x 5.08 | 15-43 | | | | | | | |
| .125 x .125 3.18 x 3.18 | 27 | .025 0.64 | .0465±.001 1.181±0.03 | .001-.003 0.03-0.08 | .0003 0.008 Min. | .037-.043 0.94-1.09 | Not Specified | Not Specified |
| .100 x .100 2.54 x 2.54 | 15-60 | | | | | | | |
| .100 x .200 2.54 x 5.08 | 15-60 | .025 0.64 | .0453±.001 1.151±0.03 | .001-.003 0.03-0.08 | .0003 0.008 Min. | .037-.043 0.94-1.09 | .0015 0.038 | .002 0.05 |
| .125 x .125 3.18 x 3.18 | 18, 36 | | | | | | | |
| .125 x .250 3.18 x 6.35 | 18-60 | | | | | | | |

*Maximum hardness of copper layer is 150 Knoop.

Note: Recommended annular ring diameter is hole diameter plus .020 [0.51].

Press-Fit Board-to-Board Connectors

Application Tooling for AMP PACE Connectors

Modular Seating Tools

Available from Tyco Electronics is a complete series of AMP PACE Modular Seating Tools for installing AMP PACE Connectors on printed circuit boards and panels. These tools are modular in design in that housing tool holders may be added or subtracted to accommodate several different connector sizes. In addition, all tool parts are individually replaceable should the tool become damaged.

Modular seating tools are supplied in two basic designs: One which covers all connector centerlines except .100 x .100 [2.54 x 2.54] and one for the .100 x .100 [2.54 x 2.54] centerline connectors.

All seating tools have a common shut height of 1.5 inches [38]. This allows AMP PACE and other ACTION PIN products to be seated at the same time on AMP seating machines. See page 149 for a description of the AMP seating machines.



**.100 x .100 [2.54 x 2.54]
Centerline Spacing**

**.100 x .200 [2.54 x 5.08],
.125 x .125 [3.18 x 3.18],
.125 x .250 [3.18 x 6.35],
.156 x .200 [3.96 x 5.08]
Centerline Spacing**

For Connectors without Scoops

| No. of Dual Positions | Centerline | | | |
|-----------------------|---------------------------|---------------------------|---------------------------|---------------------------|
| | .100 x .100 [2.54 x 2.54] | .100 x .200 [2.54 x 5.08] | .125 x .250 [3.18 x 6.35] | .156 x .200 [3.96 x 5.08] |
| 15 | 58200-1 | 58140-1 | — | 58143-1 |
| 18 | — | 58140-4 | 58142-4 | — |
| 20 | 58200-6 | 58140-6 | — | — |
| 22 | — | 58140-8 | 58142-8 | 58143-8 |
| 25 | 1-58200-1 | 1-58140-1 | 1-58142-1 | — |
| 28 | 1-58200-4 | 1-58140-4 | 1-58142-4 | 1-58143-4 |
| 30 | 1-58200-6 | 1-58140-6 | 1-58142-6 | — |
| 31 | 1-58200-7 | — | — | — |
| 32 | — | 1-58140-8 | — | — |
| 34 | — | 2-58140-0 | — | — |
| 35 | 2-58200-1 | 2-58140-1 | — | — |
| 36 | — | 2-58140-2 | 2-58142-2 | — |
| 37 | — | 2-58140-3 | — | — |
| 40 | 2-58200-6 | 2-58140-6 | 2-58142-6 | — |
| 43 | — | 2-58140-9 | — | 2-58143-9 |
| 44 | — | 3-58140-0 | — | — |
| 48 | 3-58200-4 | — | — | — |
| 50 | 3-58200-6 | 3-58140-6 | 3-58142-6 | — |
| 51 | 3-58200-7 | — | 3-58142-7 | — |
| 54 | 4-58200-0 | — | — | — |
| 55 | 4-58200-1 | 4-58140-1 | — | — |
| 56 | — | — | 4-58142-2 | — |
| 60 | 4-58200-6 | 4-58140-6 | 4-58142-6 | — |

For Connectors with Scoops

| No. of Dual Positions | Centerline | | |
|-----------------------|---------------------------|---------------------------|---------------------------|
| | .100 x .200 [2.54 x 5.08] | .125 x .125 [3.18 x 3.18] | .125 x .250 [3.18 x 6.35] |
| 15 | 58150-1 | — | — |
| 18 | — | — | 58184-4 |
| 22 | 58150-8 | — | — |
| 28 | — | 1-58218-4 | — |
| 30 | 1-58150-6 | — | — |
| 38 | — | — | 2-58184-4 |
| 50 | 3-58150-6 | — | 3-58184-6 |
| 55 | 4-58150-1 | — | — |

Contact Replacement Tools

Replacement tools listed in the chart at the right are used to install replacement contacts in AMP PACE connector housings. Replacement Tool **1-265871-7** is used to remove all .025 [0.64] square posts from PC boards.

| Centerline | Housing Style | |
|---------------------------|---------------|-----------------|
| | Standard | Full Card Scoop |
| .100 x .100 [2.54 x 2.54] | 266220-3 | — |
| .100 x .200 [2.54 x 5.08] | 266220-1 | 58210-1 |
| .125 x .125 [3.18 x 3.18] | — | 58210-4 |
| .125 x .250 [3.18 x 6.35] | 266220-2 | 58210-2 |
| .156 x .200 [3.96 x 5.08] | 266220-2 | — |

Note: Tooling availability is dependent upon part number activity. Consult Tyco Electronics for further information.

TELEDENSITY Connectors

Product Facts

- High density - .0625 [1.586] contact centerlines
- Compliant ACTION PIN contacts press-fit into plated-through holes for solderless application
- Individually replaceable contacts
- Accommodates up to three levels of daughter card pads for sequencing
- .125 [3.18] square grid post arrangement

Performance Specifications

Current Rating*:
3 amperes max.

Mating Force (Contact Pair):
1 lb. [4.4 N] max.

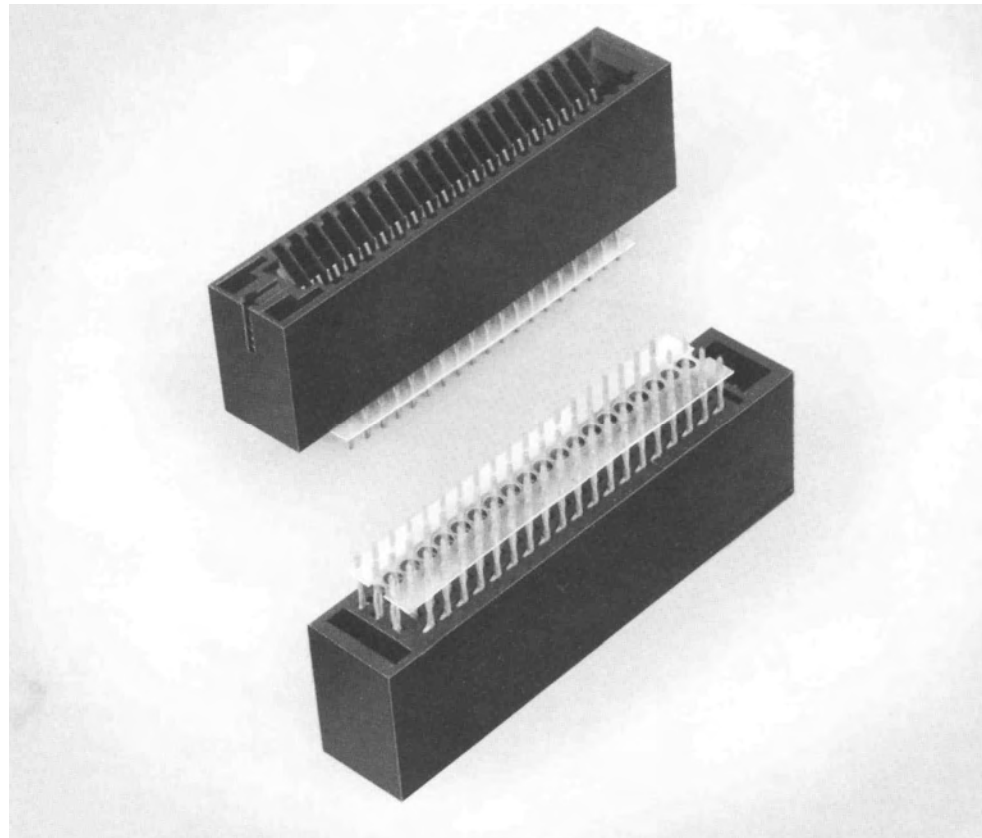
Durability (Mating Cycles):
100 min.

Termination Resistance:
12 milliohms max.

Dielectric Rating:
1200 VAC (rms)

Insulation Resistance:
5000 megohms max.

Operating Temperature:
-55°C to +85°C



The high performance AMP TELEDENSITY connector is a high density, card edge, telecommunications connector. It features compliant ACTION PIN contacts for solderless application to multi-layer printed circuit boards with plated-through or bare copper holes.

These connectors accept .054 to .072 [1.37 to 1.83] thick daughter cards. To satisfy the broadest range of application needs, the

contacts are plated with 30 microinches of gold in the mating area and tin-lead on the posts. A plastic locating strip keeps posts positioned correctly for board insertion.

For high-density needs, TELEDENSITY connectors offer a .0625 [1.586] daughter card contact centerline spacing in 39-, 71-, or 99-dual positions. The connector's .330 [8.38] slot depth accommodates up to three levels of daughter card

pads for sequencing, while a biasing wedge maintains proper pad alignment during card extraction. Posts are arranged in a .125 [3.18] square grid to ease circuit routing.

*Consult Tyco Electronics when paralleling contacts for power applications.

TELEDENSITY Connectors, .0625 [1.586] Centerline

Material and Finish:

Housing—Black polyester

Contacts—Copper alloy 725, plated .000030 [0.00076] gold in contact area, .000030 [0.00076] solder plate on post, with entire contact underplated .000100 [0.00254] nickel

Coil Spring—Stainless steel

Contact Tip Alignment Strip—Clear polyester

Related Product Data:

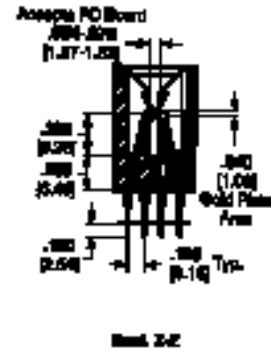
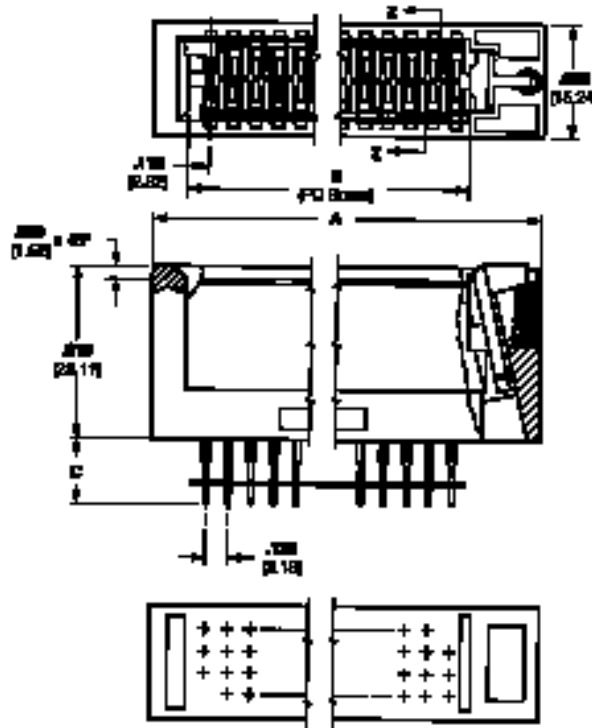
Performance Specifications—page 116

ACTION PIN Contact Mounting Hole Specifications—page 118

Technical Document—pages 186, 187

Product Specification—108-26003

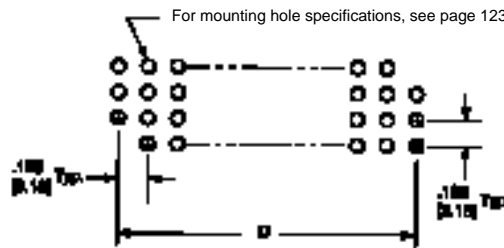
Instruction Sheet—408 6866



| Number of Dual Positions | Dimensions | | | | Connector Part Numbers | Seating Tool Numbers** |
|--------------------------|-----------------|------------------------------|---------------|-----------------|------------------------|------------------------|
| | A | B | C | D | | |
| 39 | 3.168 80.47 | 2.588-2.600 65.74-66.04 | .634 16.10 | 2.375 60.33 | 650148-1 | 58084-1 |
| | | | .350 8.89 | | 650281-1* | |
| 71 | 5.168 131.27 | 4.588-4.600 116.54-116.84 | .634 16.10 | 4.375 111.13 | 650149-1 | 58084-3 |
| 99 | 6.918 175.72 | 6.338-6.350 160.99-161.29 | .634 16.10 | 6.125 155.58 | 650150-1 | 58084-2 |

* Contacts in this connector are underplated .000150 [0.00381] nickel.
** See page 149 for a description of AMP seating machines.

Recommended PC Board Layout (Shown from post side)

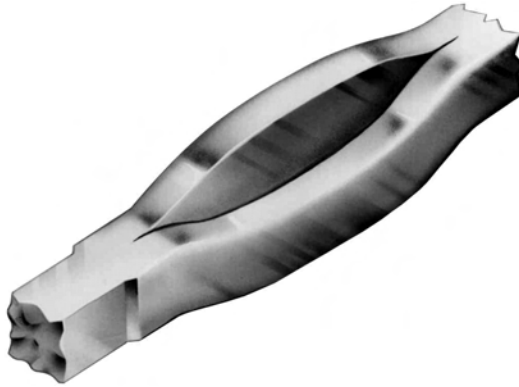


Note: ACTION PIN posts require .093 [2.36] min. thick PC board.

Press-Fit Board-to-Board Connectors

TELEDENSITY Connectors (Continued)

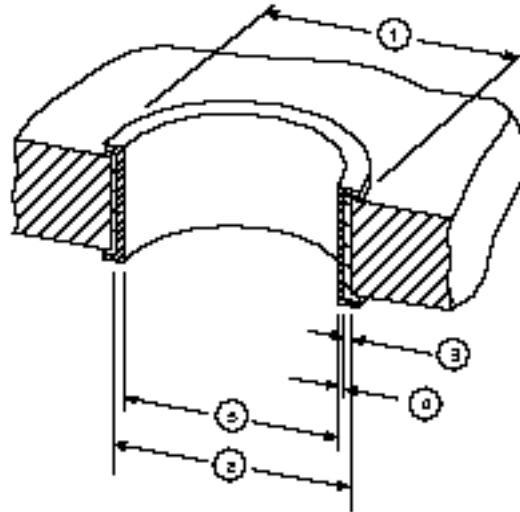
**AMP ACTION PIN
Press-Fit Contacts**



ACTION PIN contacts provide a reliable press-fit connection. Localized pressure in the interface area entails oxide breakthrough and helps prevent corrosion in the harshest environments to provide a reliable connection virtually every time. Also, radial and axial distortion are controlled to meet today's standards for multilayer board applications.

PC Board Thickness

ACTION PIN contacts are designed for use in a variety of PC board thicknesses. However, certain ACTION PIN contacts are to be used in specific ranges of board thicknesses. To promote optimum performance, the recommended board thicknesses provided with the connector being used must be followed.



- ① Annular Ring (See Note)
- ② Drilled Hole
- ③ Copper Thickness
- ④ Tin-Lead Thickness
- ⑤ Plated Through-Hole

Mounting Hole Specifications

| ACTION PIN Contact Material Thickness | Drilled Hole Diameter ^② | Plating Thicknesses | | Plated-Through Hole Diameter ^⑤ | Radial Hole Distortion | |
|---------------------------------------|------------------------------------|------------------------|-----------------------|---|------------------------|--------------|
| | | Copper ^{③*} | Tin-Lead ^④ | | Average | Maximum |
| .025 0.64 | .0453±.001 1.151±0.03 | .001-.003 0.03-0.08 | .0003 Min. 0.008 | .037-.043 0.94-1.09 | .0015 0.038 | .002 0.05 |

*Maximum hardness of copper layer is 150 Knoop
Note: Recommended annular ring diameter is hole diameter plus .020 [0.51]

ECONOMATE Connectors

Performance Specifications

Electrical Characteristics

Contact Resistance:

8 milliohms (max.)

Insulation Resistance:

2,000 megohms (min.)

Continuous Current Rating*:

3 amperes

Physical Characteristics

Card Insertion Force:

16 oz [4.45 N] (max.) per contact pair

Card Extraction Force:

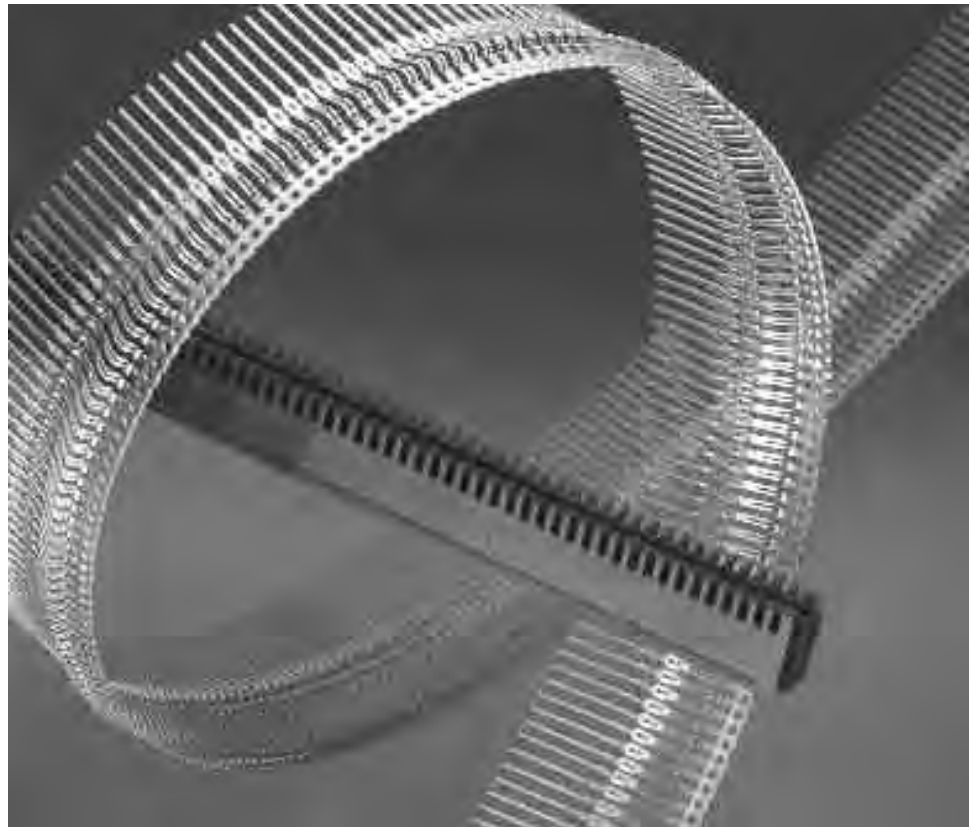
1 oz [0.28 N] (min.) per contact pair

Retention (in PC Board):

7 lb [31.1 N] (min.)

Operating Temperature:

-65°C to +125°C



AMP ECONOMATE Connectors provide a reliable and economical method for interconnecting backplane panels, using either two-sided or multi-layer PC boards.

Connector housings are furnished unloaded and are available for post centerline spacings of: .100 x .200 [2.54 x 5.08] and .156 x .200 [3.96 x 5.08]. The housings are simply positioned onto the contacts, after the contacts have been inserted into the PC board and the carrier strip removed.

Contacts from Tyco Electronics feature the proven and reliable ACTION PIN contact design. These press-fit contacts employ two spring members that compress to exert force against the plated through-holes for a gas-tight connection. Gold plating of contacts promotes the electrical integrity of the connection.

Feed-through posts are also available for accepting wrap-type terminations. These posts also feature the ACTION PIN contact design and are supplied in strip form and stored on reels for insertion into PC boards.

Important:

Application tooling is absolutely necessary for installing contacts and housings onto PC boards. See page 126 for application tooling.

*Consult Tyco Electronics engineering when paralleling contacts for power applications.

ECONOMATE Connectors (Continued)

**.100 x .200 [2.54 x 5.08]
Centerline Spacing**

Material and Finish:

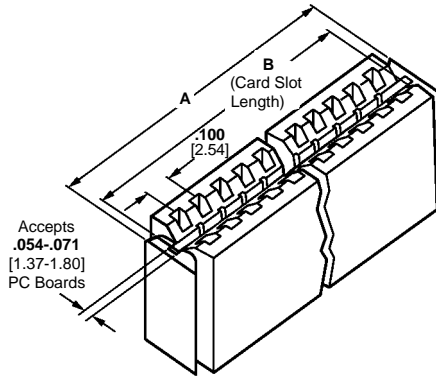
Housing—Black glass-filled nylon

Contacts—Copper alloy 725, plated as follows:

Plating A—Selectively plated .000030 [0.00076] min. gold in contact area, .000001 [0.00003] min. gold on remainder of contact, with entire contact underplated .000050 [0.00127] min. nickel

Plating B—Duplex plated .000030 [0.00076] min. gold in contact area, .000100 [0.00254] min. tin-lead on posts, with entire contact underplated .000050 [0.00127] min. nickel

Plating C—Selectively plated .000100 [0.00254] min. gold in contact area, .000001 [0.00003] min. gold on remainder of contact, except .000050 [0.00127] min. gold for .200 [5.08] from tip of post, with entire contact underplated .000050 [0.00127] min. nickel



| No. of Dual Positions | Dimensions | | Housing Part Numbers |
|-----------------------|-----------------|-----------------|----------------------|
| | A | B | |
| 25 | 2.734 82.14 | 2.604 78.84 | 1-117798-4 |
| 30 | 3.234 82.14 | 3.104 78.84 | 117798-3 |
| 35 | 3.734 94.84 | 3.604 91.54 | 117798-6 |
| 36 | 3.834 97.38 | 3.704 94.08 | 117798-7 |
| 40 | 4.234 107.54 | 4.104 104.24 | 117798-8 |
| 50 | 5.234 132.94 | 5.104 129.64 | 1-117798-1 |
| 60 | 6.234 158.34 | 6.104 155.04 | 1-117798-2 |

Note: Other connector sizes can be made available, consult Tyco Electronics.

Related Product Data:

Performance Specifications—page 119

Card Guides—page 122

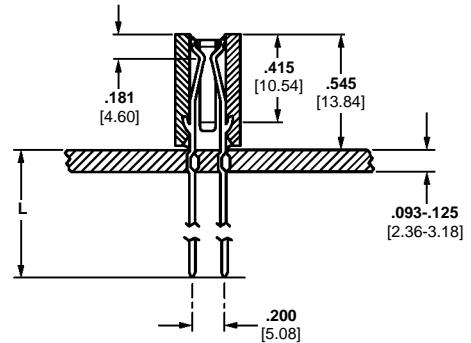
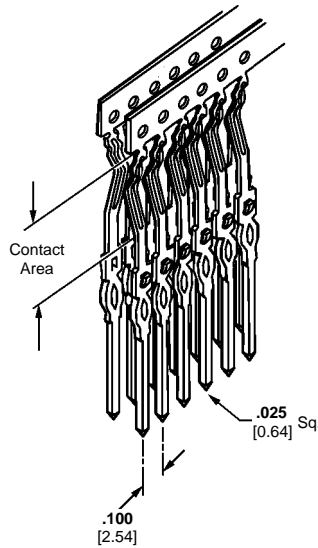
ACTION PIN Contact Mounting Hole Specifications—page 125

Application Tooling—page 126

Technical Documents:

(pages 186, 187):

Product Specification
108-26002



Keying Plugs

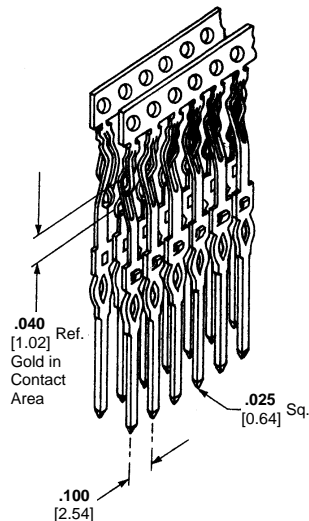


Intercontact (Plastic)
Part No. 118982-1



On-Contact (Plastic)
Part No. 119802-2

Make-Before-Break Contacts



| Dimension L | Contact Part Numbers* | | |
|---------------|-----------------------|------------|------------|
| | Plating A | Plating B | Plating C |
| .475 12.07 | 2-117795-4 | 4-117795-0 | — |
| .702 17.83 | 117795-3 | 2-117795-6 | 4-117795-8 |

*Contacts are strip form, 35,000 per reel.

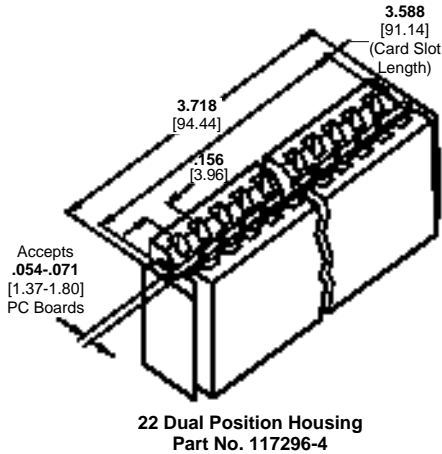
| Dimension L | Make Before Break Contact Part Numbers* | |
|---------------|---|-----------|
| | Plating A | Plating B |
| .475 12.07 | — | 118951-8 |
| .702 17.83 | 118951-4 | — |

ECONOMATE Connectors (Continued)

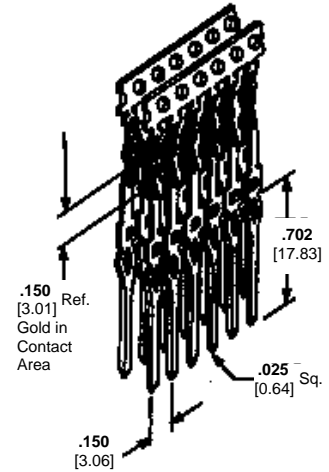
.156 x .200 [3.96 x 5.08]
Centerline Spacing

Material and Finish:

Housing—Black glass-filled nylon
Contacts—Copper alloy 725, plated as follows:
Plating A—Selectively plated .000030 [0.00076] min. gold in contact area, .000001 [0.00003] min. gold on remainder of contact, with entire contact underplated .000050 [0.00127] min. nickel
Plating B—Duplex plated .000030 [0.00076] min. gold in contact area, .000100 [0.00254] min. tin-lead on posts, with entire contact underplated .000050 [0.00127] min. nickel



22 Dual Position Housing
Part No. 117296-4



Make-Before-Break Contacts

Related Product Data:

- Performance Specifications**—page 119
- Card Guides**—page 122
- ACTION PIN Contact Mounting Hole Specifications**—page 125
- Application Tooling**—page 126

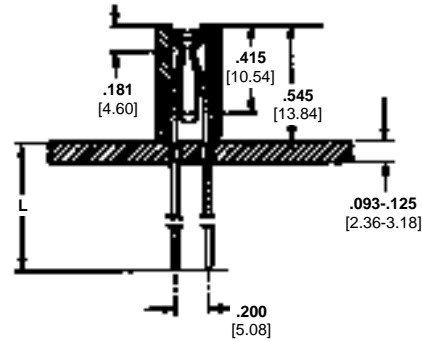
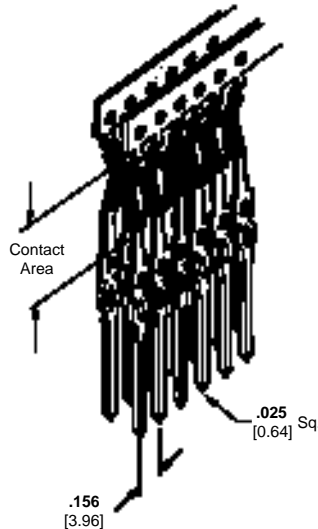
Technical Documents:

- (pages 186, 187):
- Product Specification 108-26002

Keying Plug



Intercontact (Plastic)
Part No. 118982-1



Note: Other connector sizes can be made available, consult Tyco Electronics.

| Make Before Break Contacts | | |
|----------------------------|---------|---------------|
| Dimension L | Plating | Part Numbers* |
| .475 12.07 | B | 1-118778-2 |
| .702 17.83 | A | 118778-6 |

| Dimension L | Contact Part Numbers* |
|---------------|-----------------------|
| .475 12.07 | 117285-7 |
| .702 17.83 | 117285-8 |

*Contacts are strip form, 15,000 per reel.

Card Guides for ECONOMATE Connectors

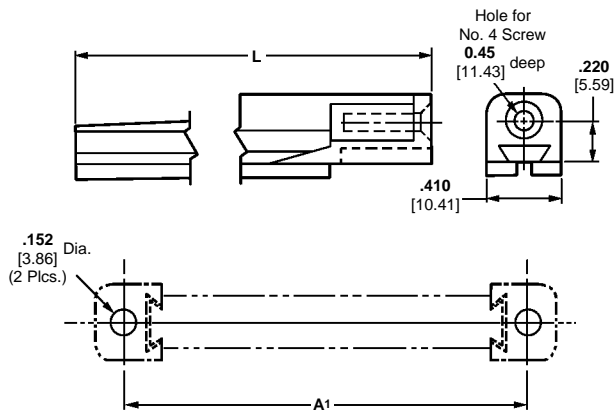
Material: Black glass-filled nylon

Related Product Data:

Mates with all .100 x .200 [2.54 x 5.08] and .156 x .200 [3.96 x 5.08] centerline housings

Technical Documents:

(pages 186, 187):
Instruction Sheet 408-9091



Recommended Mounting Dimensions

| Dimension L* | Card Guide Part Numbers |
|-----------------|-------------------------|
| 2.500 63.50 | 117169-3 |
| 6.000 152.40 | 1-117169-3 |

*Other lengths can be made available in .500 [12.70] increments from 1.500 [38.10] to 6.500 [165.10]. Consult Tyco Electronics for details.

| Housing | | Dimension A ¹ |
|----------------------------|-----------------------|--------------------------|
| Centerline Spacing | No. of Dual Positions | |
| .100 x .200 2.54 x 5.08 | 30 | 3.544 90.02 |
| | 35 | 4.044 102.72 |
| | 36 | 4.144 105.26 |
| | 40 | 4.544 115.42 |
| | 50 | 5.544 140.82 |
| | 60 | 6.544 166.22 |
| .156 x .200 3.96 x 5.08 | 22 | 4.028 102.31 |

Note: A¹ dimension = A dimension of ECONOMATE housing plus .310 [7.87].

ECONOMATE Center Carrier Feed-Thru Posts*

.100 [2.54] Centerline, Wrap Type

Material:

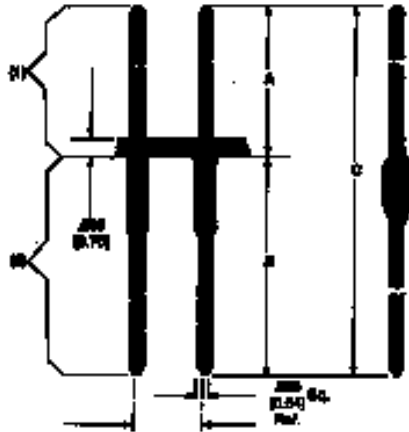
Copper Alloy 725

Finish – Gold plate per MIL-G-45204 over nickel plate per QQ-N-290 (see table for thicknesses)

Recommended Hole Size:

Non-Plated-thru Hole - .0453±.001 [1.15±0.03], 1.15 mm drill

Plated-thru Hole - .039±.003 [0.99±0.08], 1.15 mm drill



| Dimensions | | | Part Numbers |
|---------------|---------------|----------------|--|
| A | B | C | |
| | | | 1) .000001 [0.00003] min. gold flash over .000050 [0.0013] min. nickel plate |
| | | | 2) .000050 [0.0013] min. gold plate over .000050 [0.0013] min. nickel plate |
| .318 8.08 | .687 17.45 | 1.005 25.53 | — |
| .578 14.68 | .460 11.68 | 1.038 26.37 | 118243-8 |
| .578 14.68 | .550 13.97 | 1.128 28.65 | 1-118243-1 |
| .380 9.65 | .823 20.90 | 1.203 30.56 | — |

.100 [2.54] Centerline, TERMI-POINT Clip Part Number 119136-2

Material:

Copper Alloy 725

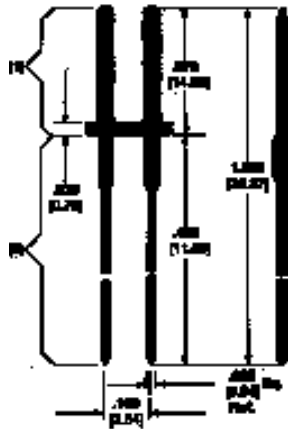
Finish –

- 1) Gold plate per MIL-G-45204, .000030 [0.00076] min. thk. over nickel plate per QQ-N-290, .000050 [0.0013] min. thk.
- 2) Gold flash per MIL-G-45204, .000001 [0.00003] min. thk. over nickel plate per QQ-N-290, .000050 [0.0013] min. thk.

Recommended Hole Size:

Non Plated-thru Hole - .0453±.001 [1.15±0.03], 1.15 mm drill

Plated-thru Hole - .039±.003 [0.99±0.08], 1.15 mm drill



.125 [3.18] Centerline, Wrap Type

Material:

Copper Alloy 725

Finish – Gold plate per MIL-G-45204 or solder plate over nickel plate per QQ-N-290 (see table for thicknesses)

Recommended Hole Size:

Non Plated-thru Hole - .0453±.001 [1.15±0.03], 1.15 mm drill

Plated-Thru Hole - .039±.003 [0.99±0.08], 1.15 mm drill



| Dimensions | | Part Numbers | |
|---------------|---------------|---|---|
| A | B | | |
| | | .000100 [0.0025] min. tin plate over .000050 [0.0013] min. nickel plate | .000030 [0.00076] min. gold plate over .000050 [0.0013] min. nickel plate |
| .703 17.68 | .548 13.92 | 117311-7 | 1-117311-0 |

*Use AMP Cut and Transfer Machine for center carrier post insertion. Consult Tyco Electronics.

Press-Fit
Board-to-Board Connectors

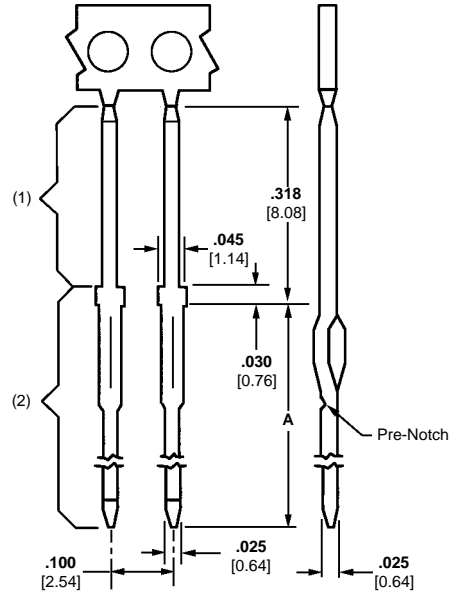
ECONOMATE Connectors (Continued)

Feed-Through Posts

Material and Finish:

Copper alloy 725, plated as follows:
Plating A—Selectively plated .000030 [0.00076] min. gold in Area (1), .000001 [0.00003] min. gold in Area (2), with entire post underplated .000050 [0.00127] min. nickel
Plating B—.000030 [0.00076] min. gold over .000100 [0.00254] min. nickel on entire post
Plating C—.000050 [0.00127] min. gold over .000100 [0.00254] min. nickel on entire post
Plating D—.000100 [0.00254] min. tin-lead over .000050 [0.00127] min. nickel on entire post

.100 [2.54] Centerline Spacing



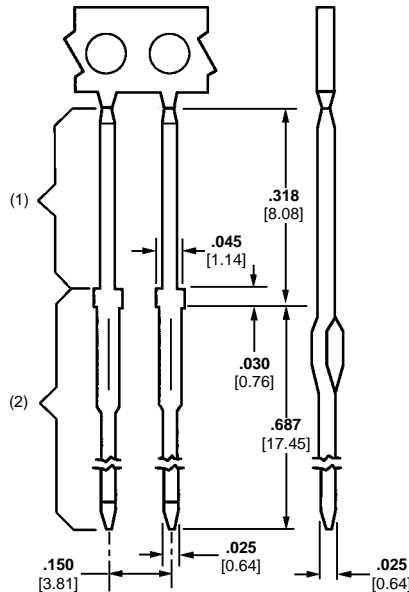
| Dimension A | Feed-Through Post Part Numbers* | | | |
|---------------|-------------------------------------|------------|-----------|------------|
| | Plating A | Plating B | Plating C | Plating D |
| .687 17.45 | 117249-7 3-117249-1 ¹ | 1-117249-2 | 117249-2 | 6-117249-5 |
| .500 12.70 | 3-117249-2 | — | — | 5-117249-6 |

*Posts in strip form, 50,000 per reel.
¹Pre-notched to break with 120° bend.

.150 [3.81] Centerline Spacing

Material and Finish:

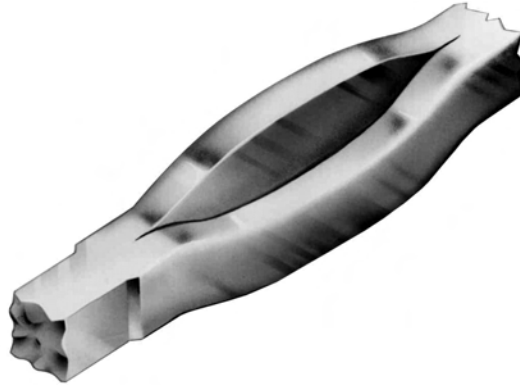
Copper alloy 725, selectively plated
 .000030 [0.00076] min. gold in Area (1),
 .000001 [0.00003] min. gold in Area (2),
 with entire post underplated .000050 [0.00127] min. nickel



50,000 per reel
 Part No. 117269-5

ECONOMATE Connectors (Continued)

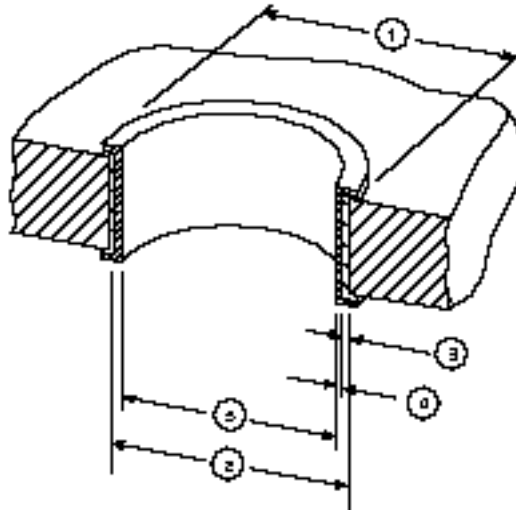
**AMP ACTION PIN
Press-Fit Contacts**



ACTION PIN contacts provide a reliable press-fit connection. Localized pressure in the interface area entails oxide break-through and helps prevent corrosion in the harshest environments to provide a reliable connection virtually every time. Also, radial and axial distortion are controlled to meet today's standards for multilayer board applications.

PC Board Thickness

ACTION PIN contacts are designed for use in a variety of PC board thicknesses. However, certain ACTION PIN contacts are to be used in specific ranges of board thicknesses. To promote optimum performance, the recommended board thicknesses provided with the connector being used must be followed.



- ① Annular Ring (See Note)
- ② Drilled Hole
- ③ Copper Thickness
- ④ Tin-Lead Thickness
- ⑤ Plated Through-Hole

Mounting Hole Specifications

| Connector | | ACTION PIN Contact Material Thickness | Drilled Hole Diameter ^② | Plating Thicknesses | | Plated Through-Hole Diameter ^⑤ | Radial Hole Distortion | |
|----------------------------|---------------------------|---------------------------------------|------------------------------------|------------------------|------------------------|---|------------------------|---------------|
| Centerline | No. of Dual Positions | | | Copper ^③ * | Tin-Lead ^④ | | Average | Maximum |
| .100 x .200 2.54 x 5.08 | 30, 35, 36, 40, 50, 60 | .025 0.64 | .0453±.001 1.151±0.03 | .001-.003 0.03-0.08 | .0003 0.008 Min. | .037-.043 0.94-1.09 | Not Specified | Not Specified |
| .156 x .200 3.96 x 5.08 | 22 | | | | | | | |

*Maximum hardness of copper layer is 150 Knoop.

Note: Recommended annular ring diameter is hole diameter plus .020 [0.51].

Application Tooling for ECONOMATE Connectors

Available from Tyco Electronics is a complete series of ACTION PIN Assembly Tooling Kits for ECONOMATE connector housings and feed-through posts. Assembly Kit tools provide the means for installing housings and contacts onto printed circuit boards, as well as removing

housings and contacts from the printed circuit boards. All tools are available in kits, or may be purchased individually.

In many instances, part number series are listed in the charts. Specific dash numbers and detailed information on the contacts and

housings are presented on the respective product specification pages. For specific dash numbers and complete information on the tooling, contact Tyco Electronics.

For ECONOMATE Connectors

| ACTION PIN Contacts | | | ECONOMATE Housings | | ACTION PIN Assembly Tool Numbers |
|----------------------------|---------------|--------------|-----------------------|--------------|--|
| Centerline | Pin Length | Part Numbers | No. of Dual Positions | Part Numbers | |
| .125 x .125 3.18 x 3.18 | .702 17.83 | 117793-□ | 15-60 | 117796-□ | Applicator 265902-□ Carrier Removal Tool 265924-□ Housing Assembly Tool 58292-□ Housing Removal Tool 265868-1 Pin Replacement Tool 265871-2 |
| .100 x .200 2.54 x 5.08 | .702 17.83 | 117795-□ | 15-60 | 117798-□ | Applicator 265904-□ Carrier Removal Tool 265924-□ Housing Assembly Tool 265879-□ Housing Removal Tool 265868-1 Pin Replacement Tool 265871-2 |
| .156 x .200 3.96 x 5.08 | .702 17.83 | 117285-□ | 15-50 | 117296-□ | Applicator 265905-□ Carrier Removal Tool 265924-□ Housing Assembly Tool 265881-□ Housing Removal Tool 265868-1 Pin Replacement Tool 265871-2 |
| .156 x .200 3.96 x 5.08 | .475 12.07 | 117285-□ | 15-50 | 117296-□ | Applicator 265906-□ Carrier Removal Tool 265924-□ Housing Assembly Tool 265881-□ Housing Removal Tool 265868-1 Pin Replacement Tool 265871-3 |
| .100 x .200 2.54 x 5.08 | .475 12.07 | 117795-□ | 15-60 | 117798-□ | Applicator 266129-□ Carrier Removal Tool 265924-□ Housing Assembly Tool 265879-□ Housing Removal Tool 265868-1 Pin Replacement Tool 265871-3 |
| .100 2.54 | .340 8.64 | 117880-□ | 20-60 | 117879-□ | Applicator 265937-□ Carrier Removal Tool 265924-□ Housing Assembly Tool 265962-□ Housing Removal Tool 265868-2 Pin Replacement Tool 1-265871-1 |



For Feed-Through Posts

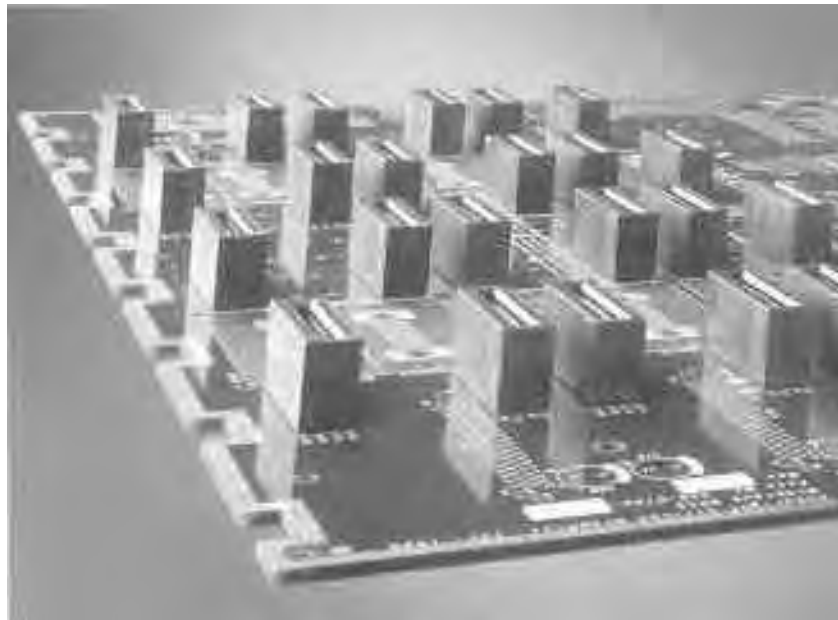
| ACTION PIN Contacts | | | | ACTION PIN Assembly Tool Numbers |
|---------------------|--------------------------|------------------|--------------|---|
| Centerline | Pin Length | No. of Positions | Part Numbers | |
| .100 2.54 | .500-.687 12.70-17.45 | 8-60 | 117249-□ | Applicator 265910-□ Carrier Removal Tool 265924-□ Pin Replacement Tool 265871-7 |
| .125 3.18 | .687 17.45 | 8-60 | 117272-□ | Applicator 265911-□ Carrier Removal Tool 265924-□ Pin Replacement Tool 265871-7 |
| .150 3.81 | .687 17.45 | 8-50 | 117269-□ | Applicator 265912-□ Carrier Removal Tool 265924-□ Pin Replacement Tool 265871-7 |
| .150 3.81 | .365-.475 9.27-12.07 | 8-50 | 117269-□ | Applicator 265931-□ Carrier Removal Tool 265924-□ Pin Replacement Tool 265871-7 |

Press-Fit Board-to-Board Connectors

High Density Press-Fit Card Edge

Product Facts

- High density .050" [1.27] center spacing.
- Staggered contacts for low insertion force.
- Designed for multi-layer .093" [2.36] daughter cards.
- High temperature SMT solder reflow temperatures of 260° for 30 seconds.
- Unique pin geometry allows for even distribution of forces reducing axial pin rotation and preserving perpendicularity to the PCB board.
- Edge and side coining provides a uniform pin radius ensuring maximum contact without "skiving" the plated hole.
- Full complement of application tooling available.
- Recognized under the Component Program of Underwriters Laboratories Inc.,  File No. E60980
- Certified by Canadian Standards Association,  File No. LR 49571



High Density (.050" [1.27] center spacing) Press-Fit connectors from Tyco Electronics are designed for high density backplane or mid-plane applications. Compliant pin connectors from Tyco Electronics meet or exceed requirements of current industry standards, including Bellcore specifications, which address critical performance issues such as hole retention, hole deformation and environmental performance.

Electrical Characteristics:

Operating Voltage—600VDC (sea level)

Current Rating—1.5 Amperes

Initial Contact Resistance—30 milliohms

Environmental Characteristics:

Operating Temperature—-55°C to +125°C

Temperature Cycling—MIL-STD-202 method 107

Vibration—MIL-STD-202, method 204

.050 [1.27] Centerline For .093 [2.36] Thick Daughter Cards

Material and Finish:

Insulation Resistance—1000 megohms minimum

Contact Retention into PCB—2 lbs. min.

Insertion Force—10 oz. max.

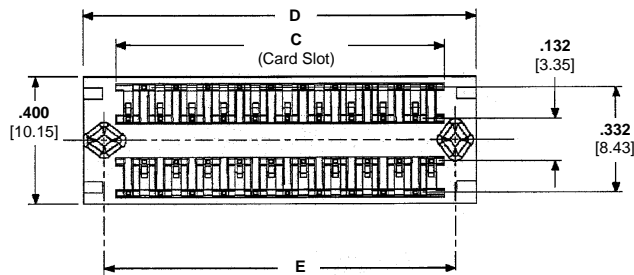
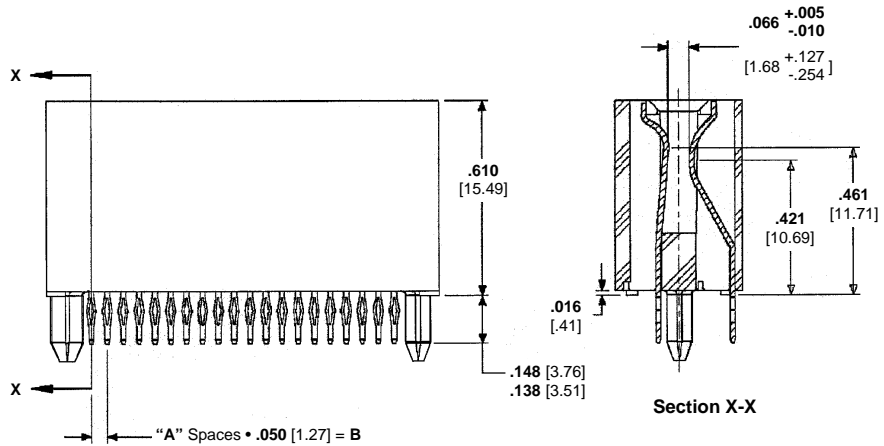
Mating Force—2 oz. per contact

Housing—High Temp. Glass filled thermoplastic, UL rating 94V-0

Color—Black

Spring Contact—BeCu

Contact Plating—Palladium Nickel

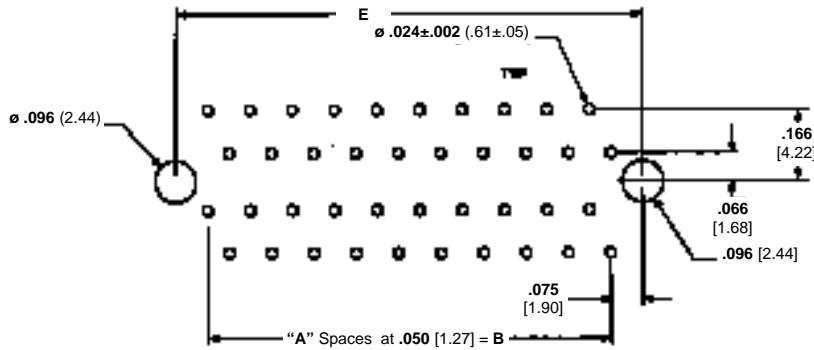


Note: Dimension E is Connector Mounting PC Hole Pattern.

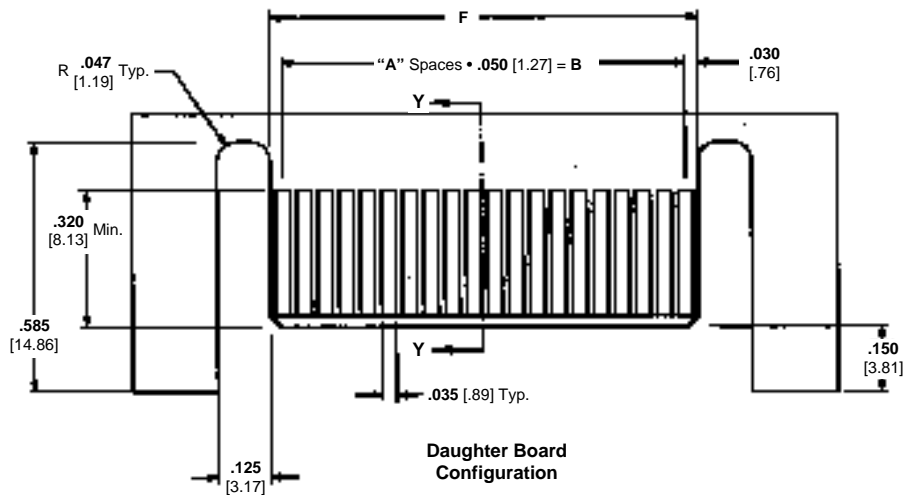
Press-Fit Board-to-Board Connectors

Ordering Information

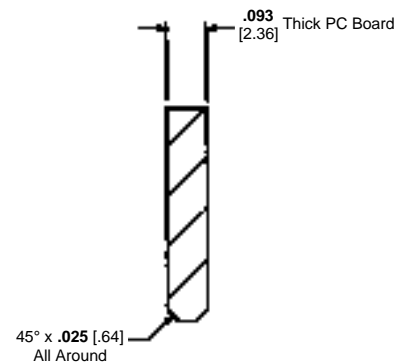
| No. of Dual Readout Position | Dimensions | | | | | | TYCO Part Number | Acquired Part Number |
|------------------------------|------------|------------------|------------------|------------------|------------------|------------------|------------------|----------------------|
| | A | B | C | D | E | F | | |
| 20 | 19 | 0.950 [24.13] | 1.040 [26.42] | 1.230 [31.24] | 1.100 [27.94] | 1.010 [25.65] | 147668-2 | C9D020PF60048 |
| 30 | 29 | 1.450 [36.83] | 1.540 [39.12] | 1.730 [43.94] | 1.600 [40.64] | 1.510 [38.35] | 147668-3 | C9D030PF60048 |
| 40 | 39 | 1.950 [49.53] | 2.040 [51.82] | 2.230 [56.64] | 2.100 [53.34] | 2.010 [51.05] | 147668-4 | C9D040PF60048 |
| 50 | 49 | 2.450 [62.23] | 2.540 [64.52] | 2.730 [69.34] | 2.600 [66.04] | 2.510 [63.75] | 147668-5 | C9D050PF60048 |
| 60 | 59 | 2.950 [74.93] | 3.040 [77.22] | 3.230 [82.04] | 3.100 [78.74] | 3.010 [76.45] | 147668-6 | C9D060PF60048 |



Connector Mounting
PC Hole Pattern



Daughter Board
Configuration



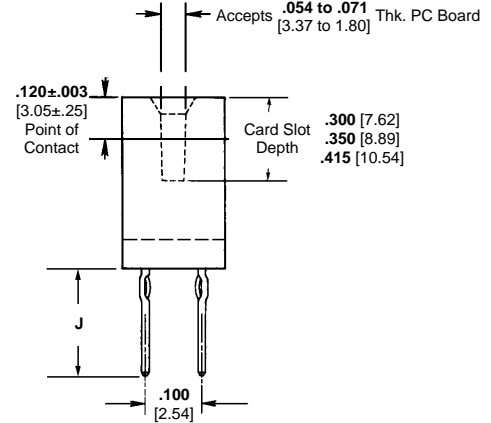
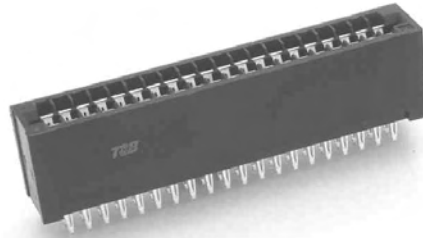
Section Y-Y

Press-Fit
Board-to-Board Connectors

.100 x .100 [2.54 x 2.54] Centerline Press Fit, with Standoffs

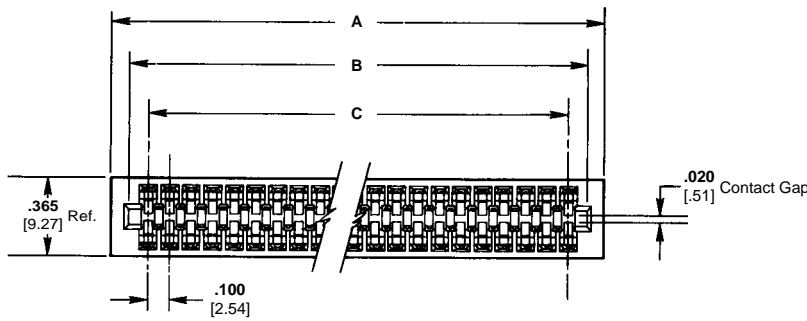
Product Facts

- **Recognized under the Component Program of Underwriters Laboratories Inc., File No. E60980** 
- **Certified by Canadian Standards Association, File No. LR49571** 



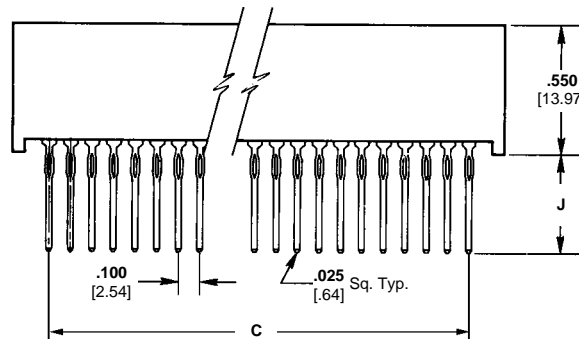
Physical Properties:

- Insulation Resistance**—5000 megohms minimum
- Contact Retention Into PCB**—5lbs. min. [356 N]
- Insertion Force**—10 oz. [44.5 N] max. measured with a .0700 ± .0001 [1.80±.00254] THK polished blade per MIL-C-21097C
- Withdrawal Force**—1 oz. min. [4.54 N] measured with a .0540 ± .0001 [3.37±.000254] THK polished test blade per MIL-C-21097C after sizing 3 times with a .0700 ± .0001 [1.80±.00254] THK blade
- Insulator Body**—High Temp. Glass filled thermoplastic, UL rating 94V-0
- Color**—Black
- Spring Contact**—Phosphor Bronze alloy
- Contact Plating**—.000050 [0.00127] nickel underplate with .000030 [0.00076] gold in the mating area, tin/lead on tails, .000100 [0.00254] minimum



Electrical Properties:

- Operating Voltage**—600 VDC (sea level)
- Current Rating**—3 Amperes
- Initial Contact Resistance**—10 milliohms



Environmental Properties:

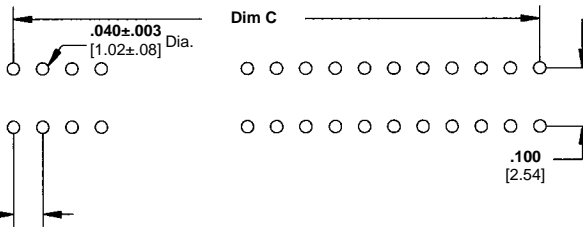
- Operating Temperature**—-55°C to +125°C
- Temperature Cycling**—MIL-STD-202 method 107
- Vibration**—MIL-STD-202, method 204

Application Tooling:

Insertion Tool—page 150

Related Product Data:

Daughter Card Edge Pattern—page 57



Press-Fit Board-to-Board Connectors

Ordering Information

| .100 [2.54] Centerline/.100 [2.54] Row-To-Row | | with Standoffs | | | Acquired Part Numbers | | |
|---|------------------------|------------------------|------------------------|-----------------------------|-----------------------------|------------------------------|--|
| No. of Dual Readout Positions | Dimensions | | | .300 [7.62] Card Slot Depth | .350 [8.89] Card Slot Depth | .415 [10.54] Card Slot Depth | |
| | A | B | C | | | | |
| Tail Length .180 [4.57] (Dim. "J") | | | | | | | |
| 18 | 2.034 51.66 | 1.904 48.36 | 1.700 43.18 | C1D18PF29013 | C1D18PF29133 | C1D18PF29043 | |
| 20 | 2.234 56.74 | 2.104 53.44 | 1.900 48.26 | C1D20PF29013 | C1D20PF29133 | C1D20PF29043 | |
| 22 | 2.434 61.82 | 2.304 58.52 | 2.100 53.34 | C1D22PF29013 | C1D22PF29133 | C1D22PF29043 | |
| 25 | 2.734 69.44 | 2.604 66.14 | 2.400 60.96 | C1D25PF29013 | C1D25PF29133 | C1D25PF29043 | |
| 28 | 3.034 77.06 | 2.904 73.76 | 2.700 68.58 | C1D28PF29013 | C1D28PF29133 | C1D28PF29043 | |
| 30 | 3.234 82.14 | 3.104 78.84 | 2.900 73.66 | C1D30PF29013 | C1D30PF29133 | C1D30PF29043 | |
| 35 | 3.734 94.84 | 3.604 91.54 | 3.400 86.36 | C1D35PF29013 | C1D35PF29133 | C1D35PF29043 | |
| 36 | 3.834 97.38 | 3.704 94.08 | 3.500 88.90 | C1D36PF29013 | C1D36PF29133 | C1D36PF29043 | |
| 40 | 4.234 107.54 | 4.104 104.24 | 3.900 99.06 | C1D40PF29013 | C1D40PF29133 | C1D40PF29043 | |
| 43 | 4.534 115.16 | 4.404 111.86 | 4.200 106.68 | C1D43PF29013 | C1D43PF29133 | C1D43PF29043 | |
| 45 | 4.734 120.24 | 4.604 116.94 | 4.400 111.76 | C1D45PF29013 | C1D45PF29133 | C1D45PF29043 | |
| 50 | 5.234 132.94 | 5.104 129.64 | 4.900 124.46 | C1D50PF29013 | C1D50PF29133 | C1D50PF29043 | |
| 60 | 6.234 158.34 | 6.104 155.04 | 5.900 149.86 | C1D60PF29013 | C1D60PF29133 | C1D60PF29043 | |
| Tail Length .475 [12.07] (Dim. "J") | | | | | | | |
| 18 | 2.034 51.66 | 1.904 48.36 | 1.700 43.18 | C1D18PF29015 | C1D18PF29135 | C1D18PF29045 | |
| 20 | 2.234 56.74 | 2.104 53.44 | 1.900 48.26 | C1D20PF29015 | C1D20PF29135 | C1D20PF29045 | |
| 22 | 2.434 61.82 | 2.304 58.52 | 2.100 53.34 | C1D22PF29015 | C1D22PF29135 | C1D22PF29045 | |
| 25 | 2.734 69.44 | 2.604 66.14 | 2.400 60.96 | C1D25PF29015 | C1D25PF29135 | C1D25PF29045 | |
| 28 | 3.034 77.06 | 2.904 73.76 | 2.700 68.58 | C1D28PF29015 | C1D28PF29135 | C1D28PF29045 | |
| 30 | 3.234 82.14 | 3.104 78.84 | 2.900 73.66 | C1D30PF29015 | C1D30PF29135 | C1D30PF29045 | |
| 35 | 3.734 94.84 | 3.604 91.54 | 3.400 86.36 | C1D35PF29015 | C1D35PF29135 | C1D35PF29045 | |
| 36 | 3.834 97.38 | 3.704 94.08 | 3.500 88.90 | C1D36PF29015 | C1D36PF29135 | C1D36PF29045 | |
| 40 | 4.234 107.54 | 4.104 104.24 | 3.900 99.06 | C1D40PF29015 | C1D40PF29135 | C1D40PF29045 | |
| 43 | 4.534 115.16 | 4.404 111.86 | 4.200 106.68 | C1D43PF29015 | C1D43PF29135 | C1D43PF29045 | |
| 45 | 4.734 120.24 | 4.604 116.94 | 4.400 111.76 | C1D45PF29015 | C1D45PF29135 | C1D45PF29045 | |
| 50 | 5.234 132.94 | 5.104 129.64 | 4.900 124.46 | C1D50PF29015 | C1D50PF29135 | C1D50PF29045 | |
| 60 | 6.234 158.34 | 6.104 155.04 | 5.900 149.86 | C1D60PF29015 | C1D60PF29135 | C1D60PF29045 | |

Press-Fit Board-to-Board Connectors

Ordering Information

.100" [2.54] Centerline / .100" [2.54] Row-to-Row with Standoffs

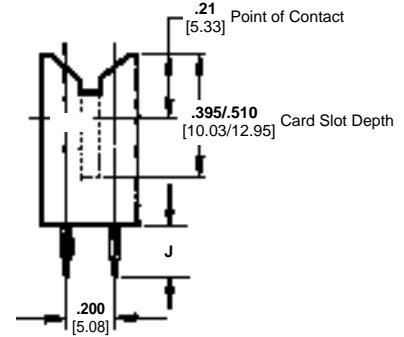
| No. of Dual Readout Positions | Dimensions | | | Acquired Part Numbers | | |
|-------------------------------------|------------------------|------------------------|------------------------|-----------------------------|-----------------------------|------------------------------|
| | A | B | C | .300 [7.62] Card Slot Depth | .350 [8.84] Card Slot Depth | .415 [10.54] Card Slot Depth |
| Tail Length .625 [15.88] (Dim. "J") | | | | | | |
| 18 | 2.034 51.66 | 1.904 48.36 | 1.700 43.18 | C1D18PF29017 | C1D18PF29137 | C1D18PF29047 |
| 20 | 2.234 56.74 | 2.104 53.44 | 1.900 48.26 | C1D20PF29017 | C1D20PF29137 | C1D20PF29047 |
| 22 | 2.434 61.82 | 2.304 58.52 | 2.100 53.34 | C1D22PF29017 | C1D22PF29137 | C1D22PF29047 |
| 25 | 2.734 69.44 | 2.604 66.14 | 2.400 60.96 | C1D25PF29017 | C1D25PF29137 | C1D25PF29047 |
| 28 | 3.034 77.06 | 2.904 73.76 | 2.700 68.58 | C1D28PF29017 | C1D28PF29137 | C1D28PF29047 |
| 30 | 3.234 82.14 | 3.104 78.84 | 2.900 73.66 | C1D30PF29017 | C1D30PF29137 | C1D30PF29047 |
| 35 | 3.734 94.84 | 3.604 91.54 | 3.400 86.36 | C1D35PF29017 | C1D35PF29137 | C1D35PF29047 |
| 36 | 3.834 97.38 | 3.704 94.08 | 3.500 88.90 | C1D36PF29017 | C1D36PF29137 | C1D36PF29047 |
| 40 | 4.234 107.54 | 4.104 104.24 | 3.900 99.06 | C1D40PF29017 | C1D40PF29137 | C1D40PF29047 |
| 43 | 4.534 115.16 | 4.404 111.86 | 4.200 106.68 | C1D43PF29017 | C1D43PF29137 | C1D43PF29047 |
| 45 | 4.734 120.24 | 4.604 116.94 | 4.400 111.76 | C1D45PF29017 | C1D45PF29137 | C1D45PF29047 |
| 50 | 5.234 132.94 | 5.104 129.64 | 4.900 124.46 | C1D50PF29017 | C1D50PF29137 | C1D50PF29047 |
| 60 | 6.234 158.34 | 6.104 155.04 | 5.900 149.86 | C1D60PF29017 | C1D60PF29137 | C1D60PF29047 |

Press-Fit Board-to-Board Connectors

.100 x .200 [2.54 x 5.08] Centerline Press-Fit, Full Scoop

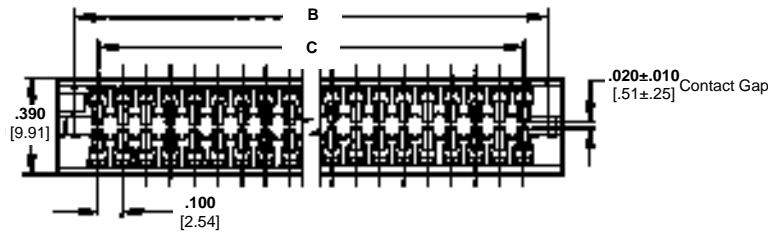
Product Facts

- **Recognized under the Component Program of Underwriters Laboratories Inc., File No. E60980** 
- **Certified by Canadian Standards Association, File No. LR49571** 



Physical Properties:

- Insulation Resistance**—5000 megohms minimum.
- Contact Retention Into PCB**—5lbs. min. [356 N]
- Insertion Force**—10 oz. [44.5 N] max. measured with a .0700 ± .0001 [1.80±.00254] THK polished blade per MIL-C-21097C
- Withdrawal Force**—1 oz. min. [4.5 N] measured with a .0540 ± .0001 [3.37±.00254] THK polished test blade per MIL-C-21097C after sizing 3 times with a .0700 ± .0001 [1.80±.00254] THK blade
- Insulator Body**—High Temp. Glass filled thermoplastic, UL rating 94V-0
- Color**—Black
- Spring Contact**—Phosphor Bronze alloy
- Contact Plating**—.000050 [0.00127] nickel underplate with .000030 [0.00076] gold in the mating area, tin/lead on tails, .000100 [0.00254] minimum



Electrical Properties

- Operating Voltage**—600 VDC (sea level)
- Current Rating**—3 Amperes
- Contact Resistance**—10 milliohms

Environmental Properties:

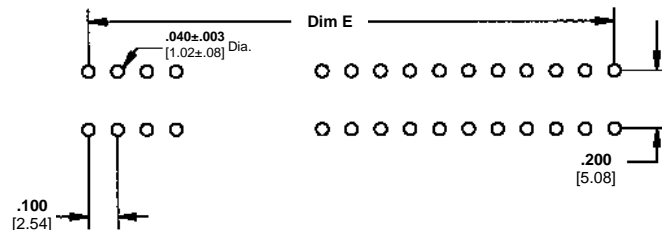
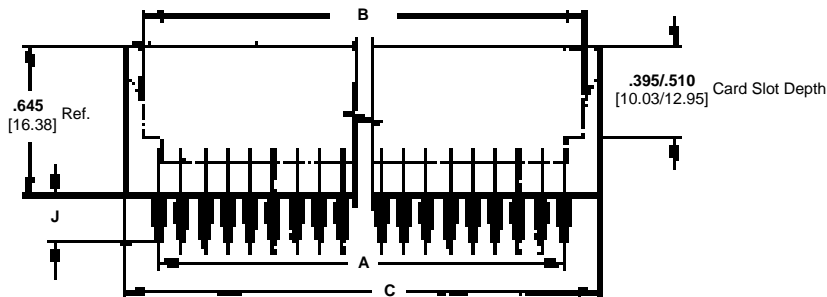
- Operating Temperature**—-55°C to +125°C
- Temperature Cycling**—MIL-STD-202 method 107
- Vibration**—MIL-STD-202, method 204

Application Tooling:

Insertion Tool—page 150

Related Product Data:

Daughter Card Edge Pattern—page 57



Note: Open ends and open/closed ends are available. Consult Tyco Electronics.

Press-Fit Board-to-Board Connectors

.100 [2.54] Centerline / .200 [5.08] Row-to-Row Full Scoop

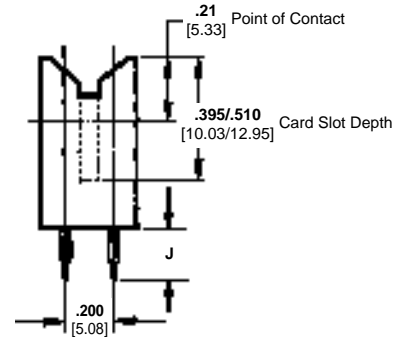
| No. of Dual Readout Positions | Dimensions | | | Acquired Part Numbers | |
|---|------------------------|------------------------|------------------------|------------------------------|------------------------------|
| | A | B | C | .510 [12.95] Card Slot Depth | .395 [10.03] Card Slot Depth |
| Tail Length .670 [17.02] (DIM "J") | | | | | |
| 18 | 2.034 51.66 | 1.904 48.36 | 1.700 43.18 | W8D18PF29012 | W8D18PF29042 |
| 20 | 2.234 56.74 | 2.104 53.44 | 1.900 48.26 | W8D20PF29012 | W8D20PF29042 |
| 22 | 2.434 61.82 | 2.304 58.52 | 2.100 53.34 | W8D22PF29012 | W8D22PF29042 |
| 25 | 2.734 69.44 | 2.604 66.14 | 2.400 60.96 | W8D25PF29012 | W8D25PF29042 |
| 28 | 3.034 77.06 | 2.904 73.76 | 2.700 68.58 | W8D28PF29012 | W8D28PF29042 |
| 30 | 3.234 82.14 | 3.104 78.84 | 2.900 73.66 | W8D30PF29012 | W8D30PF29042 |
| 35 | 3.734 94.84 | 3.604 91.54 | 3.400 86.36 | W8D35PF29012 | W8D35PF29042 |
| 36 | 3.834 97.38 | 3.704 94.08 | 3.500 88.90 | W8D36PF29012 | W8D36PF29042 |
| 40 | 4.234 107.54 | 4.104 104.24 | 3.900 99.06 | W8D40PF29012 | W8D40PF29042 |
| 43 | 4.534 115.16 | 4.404 111.86 | 4.200 106.68 | W8D43PF29012 | W8D43PF29042 |
| 45 | 4.734 120.24 | 4.604 116.94 | 4.400 111.76 | W8D45PF29012 | W8D45PF29042 |
| 50 | 5.234 132.94 | 5.104 129.64 | 4.900 124.46 | W8D50PF29012 | W8D50PF29042 |
| 60 | 6.234 158.34 | 6.104 155.04 | 5.900 149.86 | W8D60PF29012 | W8D60PF29042 |
| Tail Length .180 [4.57] (DIM "J") | | | | | |
| 18 | 2.034 51.66 | 1.904 48.36 | 1.700 43.18 | W8D18PF29013 | W8D18PF29043 |
| 20 | 2.234 56.74 | 2.104 53.44 | 1.900 48.26 | W8D20PF29013 | W8D20PF29043 |
| 22 | 2.434 61.82 | 2.304 58.52 | 2.100 53.34 | W8D22PF29013 | W8D22PF29043 |
| 25 | 2.734 69.44 | 2.604 66.14 | 2.400 60.96 | W8D25PF29013 | W8D25PF29043 |
| 28 | 3.034 77.06 | 2.904 73.76 | 2.700 68.58 | W8D28PF29013 | W8D28PF29043 |
| 30 | 3.234 82.14 | 3.104 78.84 | 2.900 73.66 | W8D30PF29013 | W8D30PF29043 |
| 35 | 3.734 94.84 | 3.604 91.54 | 3.400 86.36 | W8D35PF29013 | W8D35PF29043 |
| 36 | 3.834 97.38 | 3.704 94.08 | 3.500 88.90 | W8D36PF29013 | W8D36PF29043 |
| 40 | 4.234 107.54 | 4.104 104.24 | 3.900 99.06 | W8D40PF29013 | W8D40PF29043 |
| 43 | 4.534 115.16 | 4.404 111.86 | 4.200 106.68 | W8D43PF29013 | W8D43PF29043 |
| 45 | 4.734 120.24 | 4.604 116.94 | 4.400 111.76 | W8D45PF29013 | W8D45PF29043 |
| 50 | 5.234 132.94 | 5.104 129.64 | 4.900 124.46 | W8D50PF29013 | W8D50PF29043 |
| 60 | 6.234 158.34 | 6.104 155.04 | 5.900 149.86 | W8D60PF29013 | W8D60PF29043 |

Press-Fit Board-to-Board Connectors

.100 x .200 [2.54 x 5.08] Centerline, Press-Fit, Full Scoop with Standoffs

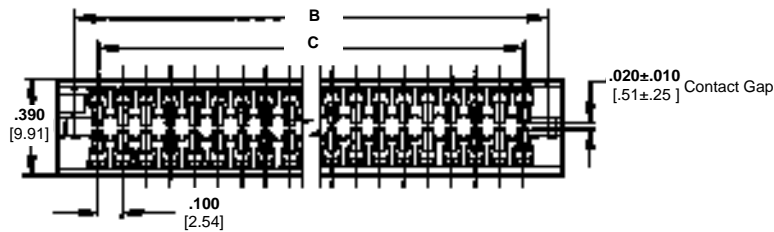
Product Facts

- **Recognized under the Component Program of Underwriters Laboratories Inc., File No. E60980** 
- **Certified by Canadian Standards Association, File No. LR49571** 



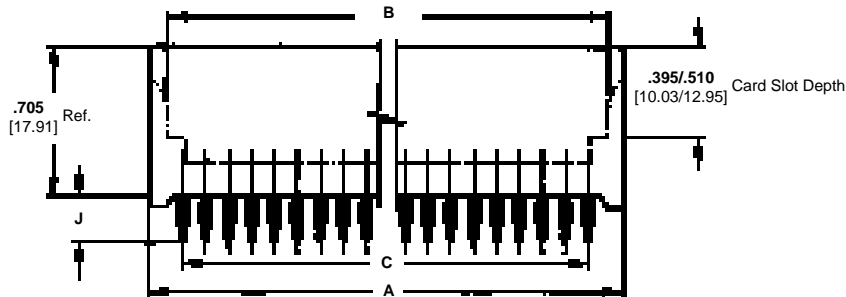
Physical Properties:

- Insulation Resistance**—5000 megohms minimum.
- Contact Retention Into PCB**—5lbs. min. [356 N]
- Insertion Force**—10 oz. [44.5 N] max. measured with a .0700 ± .0001 [1.80±.00254] THK polished blade per MIL-C-21097C
- Withdrawal Force**—1 oz. min. [4.5 N] measured with a .0540 ± .0001 [3.37±.00254] THK polished test blade per MIL-C-21097C after sizing 3 times with a .0700 ± .0001 [1.80±.00254] THK blade
- Insulator Body**—High Temp. Glass filled thermoplastic, UL rating 94V-0
- Color**—Black
- Spring Contact**—Phosphor Bronze alloy
- Contact Plating**—.000050 [0.00127] nickel underplate with .000030 [0.00076] gold in the mating area, tin/lead on tails, .000100 [0.00254] minimum



Electrical Properties:

- Operating Voltage**—600 VDC (sea level)
- Current Rating**—3 Amperes
- Initial Contact Resistance**—10 milliohms



Environmental Properties:

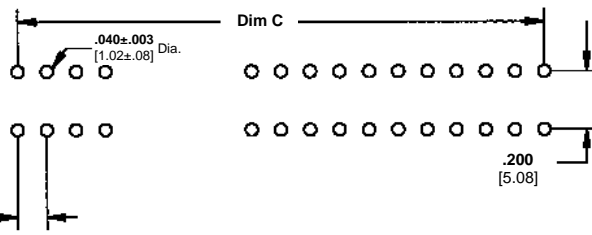
- Operating Temperature**—-55°C to +125°C
- Temperature Cycling**—MIL-STD-202 method 107
- Vibration**—MIL-STD-202, method 204

Application Tooling:

Insertion Tool—page 150

Related Product Data:

Daughter Card Edge Pattern—page 57



Note: Open ends and open/closed ends are available. Consult Tyco Electronics.

Press-Fit Board-to-Board Connectors

.100 [2.54] Centerline / .200 [5.08] Row-to-Row Full Scoop with Standoffs

| No. of Dual Readout Positions | Dimensions | | | Acquired Part Numbers | |
|---|------------------------|------------------------|------------------------|------------------------------|------------------------------|
| | A | B | C | .510 [12.95] Card Slot Depth | .395 [10.03] Card Slot Depth |
| Tail Length .670 [17.02] (DIM "J") | | | | | |
| 18 | 2.034 51.66 | 1.904 48.36 | 1.700 43.18 | W8D18PF29062 | W8D18PF29092 |
| 20 | 2.234 56.74 | 2.104 53.44 | 1.900 48.26 | W8D20PF29062 | W8D20PF29092 |
| 22 | 2.434 61.82 | 2.304 58.52 | 2.100 53.34 | W8D22PF29062 | W8D22PF29092 |
| 25 | 2.734 69.44 | 2.604 66.14 | 2.400 60.96 | W8D25PF29062 | W8D25PF29092 |
| 28 | 3.034 77.06 | 2.904 73.76 | 2.700 68.58 | W8D28PF29062 | W8D28PF29092 |
| 30 | 3.234 82.14 | 3.104 78.84 | 2.900 73.66 | W8D30PF29062 | W8D30PF29092 |
| 35 | 3.734 94.84 | 3.604 91.54 | 3.400 86.36 | W8D35PF29062 | W8D35PF29092 |
| 36 | 3.834 97.38 | 3.704 94.08 | 3.500 88.90 | W8D36PF29062 | W8D36PF29092 |
| 40 | 4.234 107.54 | 4.104 104.24 | 3.900 99.06 | W8D40PF29062 | W8D40PF29092 |
| 43 | 4.534 115.16 | 4.404 111.86 | 4.200 106.68 | W8D43PF29062 | W8D43PF29092 |
| 45 | 4.734 120.24 | 4.604 116.94 | 4.400 111.76 | W8D45PF29062 | W8D45PF29092 |
| 50 | 5.234 132.94 | 5.104 129.64 | 4.900 124.46 | W8D50PF29062 | W8D50PF29092 |
| 60 | 6.234 158.34 | 6.104 155.04 | 5.900 149.86 | W8D60PF29062 | W8D60PF29092 |
| Tail Length .180 [4.57] (DIM "J") | | | | | |
| 18 | 2.034 51.66 | 1.904 48.36 | 1.700 43.18 | W8D18PF29063 | W8D18PF29093 |
| 20 | 2.234 56.74 | 2.104 53.44 | 1.900 48.26 | W8D20PF29063 | W8D20PF29093 |
| 22 | 2.434 61.82 | 2.304 58.52 | 2.100 53.34 | W8D22PF29063 | W8D22PF29093 |
| 25 | 2.734 69.44 | 2.604 66.14 | 2.400 60.96 | W8D25PF29063 | W8D25PF29093 |
| 28 | 3.034 77.06 | 2.904 73.76 | 2.700 68.58 | W8D28PF29063 | W8D28PF29093 |
| 30 | 3.234 82.14 | 3.104 78.84 | 2.900 73.66 | W8D30PF29063 | W8D30PF29093 |
| 35 | 3.734 94.84 | 3.604 91.54 | 3.400 86.36 | W8D35PF29063 | W8D35PF29093 |
| 36 | 3.834 97.38 | 3.704 94.08 | 3.500 88.90 | W8D36PF29063 | W8D36PF29093 |
| 40 | 4.234 107.54 | 4.104 104.24 | 3.900 99.06 | W8D40PF29063 | W8D40PF29093 |
| 43 | 4.534 115.16 | 4.404 111.86 | 4.200 106.68 | W8D43PF29063 | W8D43PF29093 |
| 45 | 4.734 120.24 | 4.604 116.94 | 4.400 111.76 | W8D45PF29063 | W8D45PF29093 |
| 50 | 5.234 132.94 | 5.104 129.64 | 4.900 124.46 | W8D50PF29063 | W8D50PF29093 |
| 60 | 6.234 158.34 | 6.104 155.04 | 5.900 149.86 | W8D60PF29063 | W8D60PF29093 |

Press-Fit
Board-to-Board Connectors

.100 x .200 [2.54 x 5.08] Centerline, Press-Fit without Standoffs

Product Facts

- **Recognized under the Component Program of Underwriters Laboratories Inc., File No. E60980** 
- **Certified by Canadian Standards Association, File No. LR49571** 

Physical Properties:

- Insulation Resistance**—5000 megohms minimum.
- Contact Retention Into PCB**—5 lbs. [356 N]
- Insertion/Withdrawal Force**—8 oz./2 oz. [35.6 N/ 8.9 N] average contact pair using .0620 [1.57] steel blade.
- Insulator Body**—Glass filled thermoplastic, UL rating 94V-0
- Color**—Black
- Contacts**—High strength copper alloy.
- Contact Plating**—.000050 [0.00127] nickel underplate with .000030 [0.00076] gold in the mating area, tin/lead on tails, .000100 [0.00254] minimum

Electrical Properties:

- Operating Voltage**—600 VDC (sea level)
- Current Rating**—3 Amperes
- Initial Contact Resistance**—10 milliohms

Environmental Properties:

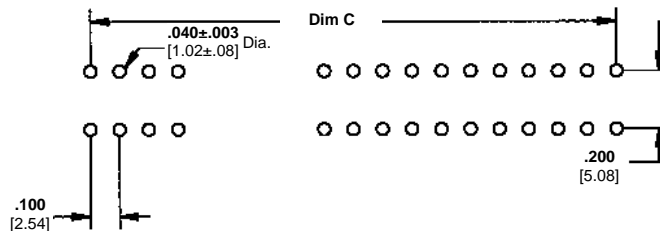
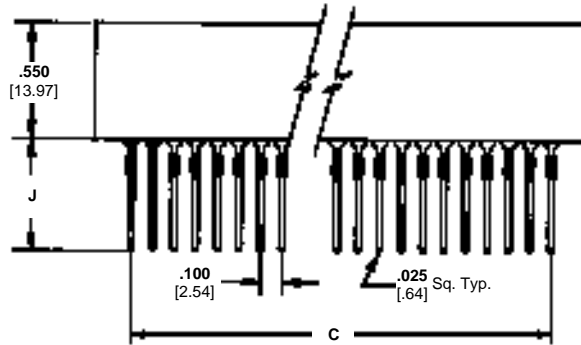
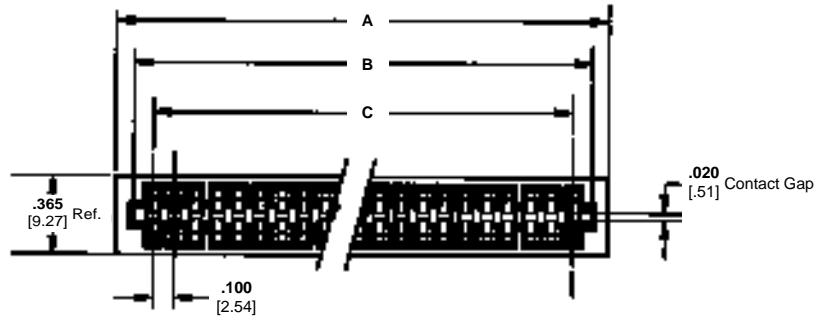
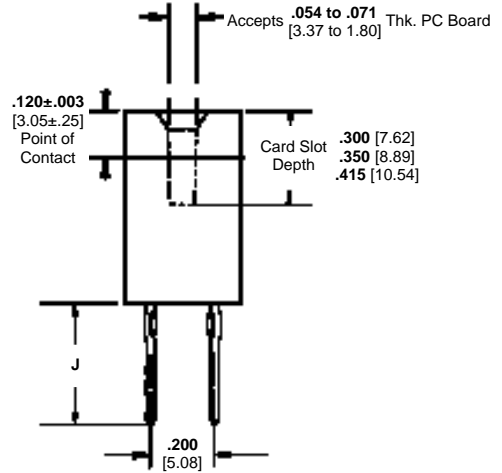
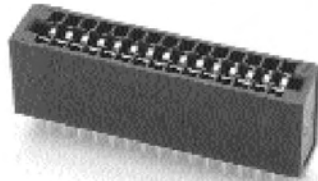
- Operating Temperature**—-55°C to +125°C
- Temperature Cycling**—MIL-STD-202 method 107
- Vibration**—MIL-STD-202, method 204

Application Tooling:

Insertion Tool—page 150

Related Product Data:

Daughter Card Edge Pattern—page 57



Note: Open ends and open/closed ends are available. Consult Tyco Electronics.

Press-Fit Board-to-Board Connectors

Ordering Information

.100" [2.54] Centerline / .200" [5.08] Row-to-Row without Standoffs

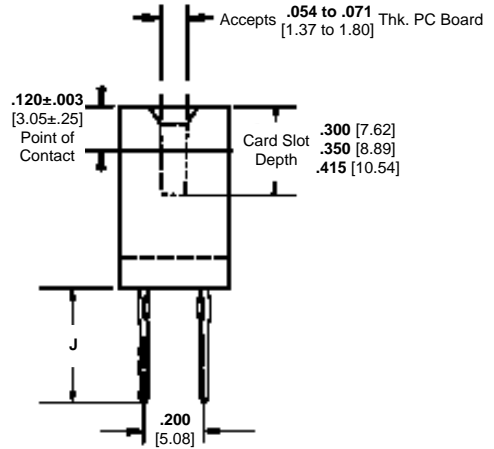
| No. of Dual Readout Positions | Dimensions | | | Acquired Part Numbers | | |
|---------------------------------------|-----------------|-----------------|-----------------|-----------------------------|-----------------------------|------------------------------|
| | A | B | C | .300 [7.62] Card Slot Depth | .350 [8.89] Card Slot Depth | .415 [10.54] Card Slot Depth |
| Tail Length .670 [17.02] ("J") | | | | | | |
| 6 | 0.860 21.84 | 0.700 17.78 | 0.500 12.70 | C8D06PF29032 | C8D06PF29142 | C8D06PF29022 |
| 10 | 1.260 32.00 | 1.100 27.94 | 0.900 22.86 | C8D10PF29032 | C8D10PF29142 | C8D10PF29022 |
| 12 | 1.460 37.08 | 1.300 33.02 | 1.100 27.94 | C8D12PF29032 | C8D12PF29142 | C8D12PF29022 |
| 15 | 1.760 44.70 | 1.600 40.64 | 1.400 35.56 | C8D15PF29032 | C8D15PF29142 | C8D15PF29022 |
| 20 | 2.260 57.40 | 2.100 53.34 | 1.900 48.26 | C8D20PF29032 | C8D20PF29142 | C8D20PF29022 |
| 22 | 2.460 62.48 | 2.300 58.42 | 2.100 53.34 | C8D22PF29032 | C8D22PF29142 | C8D22PF29022 |
| 25 | 2.760 70.10 | 2.600 66.04 | 2.400 60.96 | C8D25PF29032 | C8D25PF29142 | C8D25PF29022 |
| 28 | 3.060 77.72 | 2.900 73.66 | 2.700 68.58 | C8D28PF29032 | C8D28PF29142 | C8D28PF29022 |
| 30 | 3.260 82.80 | 3.100 78.74 | 2.900 73.66 | C8D30PF29032 | C8D30PF29142 | C8D30PF29022 |
| 31 | 3.360 85.34 | 3.200 81.28 | 3.000 76.20 | C8D31PF29032 | C8D31PF29142 | C8D31PF29022 |
| 35 | 3.760 95.50 | 3.600 91.44 | 3.400 86.36 | C8D35PF29032 | C8D35PF29142 | C8D35PF29022 |
| 36 | 3.860 98.04 | 3.700 93.98 | 3.500 88.90 | C8D36PF29032 | C8D36PF29142 | C8D36PF29022 |
| 40 | 4.260 108.20 | 4.100 104.14 | 3.900 99.06 | C8D40PF29032 | C8D40PF29142 | C8D40PF29022 |
| 43 | 4.560 115.82 | 4.400 111.76 | 4.200 106.68 | C8D43PF29032 | C8D43PF29142 | C8D43PF29022 |
| 50 | 5.260 133.60 | 5.100 129.54 | 4.900 124.46 | C8D50PF29032 | C8D50PF29142 | C8D50PF29022 |
| 60 | 6.260 159.00 | 6.100 154.94 | 5.900 149.86 | C8D60PF29032 | C8D60PF29142 | C8D60PF29022 |
| Tail Length .180 [4.57] ("J") | | | | | | |
| 6 | 0.860 21.84 | 0.700 17.78 | 0.500 12.70 | C8D06PF29033 | C8D06PF29143 | C8D06PF29023 |
| 10 | 1.260 32.00 | 1.100 27.94 | 0.900 22.86 | C8D10PF29033 | C8D10PF29143 | C8D10PF29023 |
| 12 | 1.460 37.08 | 1.300 33.02 | 1.100 27.94 | C8D12PF29033 | C8D12PF29143 | C8D12PF29023 |
| 15 | 1.760 44.70 | 1.600 40.64 | 1.400 35.56 | C8D15PF29033 | C8D15PF29143 | C8D15PF29023 |
| 20 | 2.260 57.40 | 2.100 53.34 | 1.900 48.26 | C8D20PF29033 | C8D20PF29143 | C8D20PF29023 |
| 22 | 2.460 62.48 | 2.300 58.42 | 2.100 53.34 | C8D22PF29033 | C8D22PF29143 | C8D22PF29023 |
| 25 | 2.760 70.10 | 2.600 66.04 | 2.400 60.96 | C8D25PF29033 | C8D25PF29143 | C8D25PF29023 |
| 28 | 3.060 77.72 | 2.900 73.66 | 2.700 68.58 | C8D28PF29033 | C8D28PF29143 | C8D28PF29023 |
| 30 | 3.260 82.80 | 3.100 78.74 | 2.900 73.66 | C8D30PF29033 | C8D30PF29143 | C8D30PF29023 |
| 31 | 3.360 85.34 | 3.200 81.28 | 3.000 76.20 | C8D31PF29033 | C8D31PF29143 | C8D31PF29023 |
| 35 | 3.760 95.50 | 3.600 91.44 | 3.400 86.36 | C8D35PF29033 | C8D35PF29143 | C8D35PF29023 |
| 36 | 3.860 98.04 | 3.700 93.98 | 3.500 88.90 | C8D36PF29033 | C8D36PF29143 | C8D36PF29023 |
| 40 | 4.260 108.20 | 4.100 104.14 | 3.900 99.06 | C8D40PF29033 | C8D40PF29143 | C8D40PF29023 |
| 43 | 4.560 115.82 | 4.400 111.76 | 4.200 106.68 | C8D43PF29033 | C8D43PF29143 | C8D43PF29023 |
| 50 | 5.260 133.60 | 5.100 129.54 | 4.900 124.46 | C8D50PF29033 | C8D50PF29143 | C8D50PF29023 |
| 60 | 6.260 159.00 | 6.100 154.94 | 5.900 149.86 | C8D60PF29033 | C8D60PF29143 | C8D60PF29023 |

Press-Fit
Board-to-Board Connectors

.100 x .200 [2.54 x 5.08] Centerline, Press-Fit with Standoffs

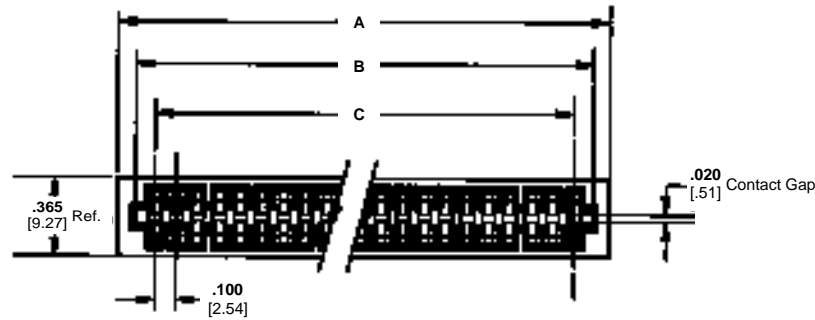
Product Facts

- **Recognized under the Component Program of Underwriters Laboratories Inc., File No. E60980**
- **Certified by Canadian Standards Association, File No. LR49571**



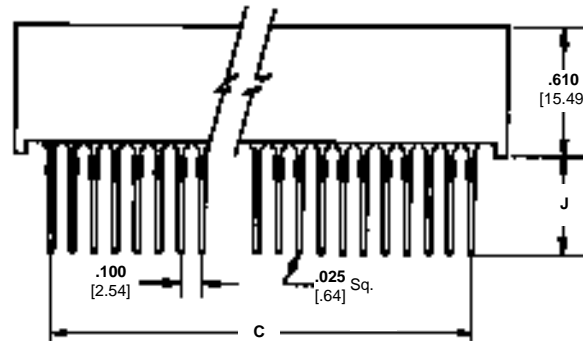
Physical Properties:

- Insulation Resistance**—5000 megohms minimum.
- Contact Retention Into PCB**—5 lbs. [356 N]
- Insertion/Withdrawal Force**—8 oz./2 oz. [35.6 N/ 8.9 N] average contact pair using .0620 [1.57] steel blade.
- Insulator Body**—Glass filled thermoplastic, UL rating 94V-0
- Color**—Black
- Contacts**—High strength copper alloy.
- Contact Plating**—.000050 [0.00127] nickel underplate with .000030 [0.00076] gold in the mating area, tin/lead on tails, .000100 [0.00254] minimum



Electrical Properties:

- Operating Voltage**—600 VDC (sea level)
- Current Rating**—3 Amperes
- Initial Contact Resistance**—10 milliohms

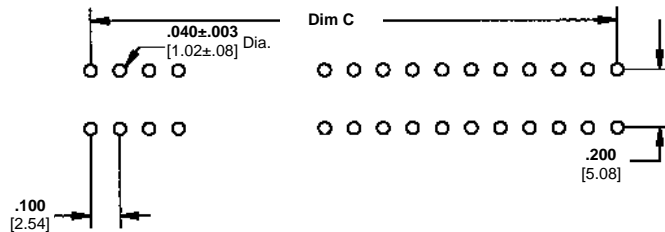


Environmental Properties:

- Operating Temperature**—-55°C to +125°C
- Temperature Cycling**—MIL-STD-202 method 107
- Vibration**—MIL-STD-202, method 204

Application Tooling:

- Insertion Tool**—page 150
- Related Product Data:**
- Daughter Card Edge Pattern**—page 57



Note: Open ends and open/closed ends are available. Consult Tyco Electronics.

Press-Fit Board-to-Board Connectors

Ordering Information

.100 [2.54] Center-to-Center/.200 [5.08] Row-To-Row with Standoffs

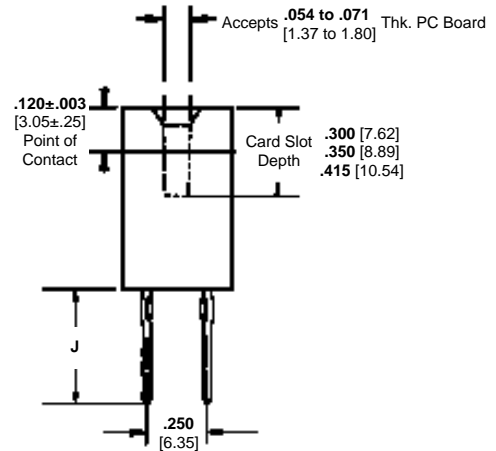
| No. of Dual Readout Positions | Dimensions | | | Acquired Part Numbers | | |
|---|-----------------|-----------------|-----------------|-----------------------------|-----------------------------|------------------------------|
| | A | B | C | .300 [7.62] Card Slot Depth | .350 [8.89] Card Slot Depth | .415 [10.54] Card Slot Depth |
| Tail Length .670 [17.02] (dim "J") | | | | | | |
| 6 | 0.860 21.84 | 0.700 17.78 | 0.500 12.70 | C8D06PF29012 | C8D06PF29132 | C8D06PF29042 |
| 10 | 1.260 32.00 | 1.100 27.94 | 0.900 22.86 | C8D10PF29012 | C8D10PF29132 | C8D10PF29042 |
| 12 | 1.460 37.08 | 1.300 33.02 | 1.100 27.94 | C8D12PF29012 | C8D12PF29132 | C8D12PF29042 |
| 15 | 1.760 44.70 | 1.600 40.64 | 1.400 35.56 | C8D15PF29012 | C8D15PF29132 | C8D15PF29042 |
| 20 | 2.260 57.40 | 2.100 53.34 | 1.900 48.26 | C8D20PF29012 | C8D20PF29132 | C8D20PF29042 |
| 22 | 2.460 62.48 | 2.300 58.42 | 2.100 53.34 | C8D22PF29012 | C8D22PF29132 | C8D22PF29042 |
| 25 | 2.760 70.10 | 2.600 66.04 | 2.400 60.96 | C8D25PF29012 | C8D25PF29132 | C8D25PF29042 |
| 28 | 3.060 77.72 | 2.900 73.66 | 2.700 68.58 | C8D28PF29012 | C8D28PF29132 | C8D28PF29042 |
| 30 | 3.260 82.80 | 3.100 78.74 | 2.900 73.66 | C8D30PF29012 | C8D30PF29132 | C8D30PF29042 |
| 31 | 3.360 85.34 | 3.200 81.28 | 3.000 76.20 | C8D31PF29012 | C8D31PF29132 | C8D31PF29042 |
| 35 | 3.760 95.50 | 3.600 91.44 | 3.400 86.36 | C8D35PF29012 | C8D35PF29132 | C8D35PF29042 |
| 36 | 3.860 98.04 | 3.700 93.98 | 3.500 88.90 | C8D36PF29012 | C8D36PF29132 | C8D36PF29042 |
| 40 | 4.260 108.20 | 4.100 104.14 | 3.900 99.06 | C8D40PF29012 | C8D40PF29132 | C8D40PF29042 |
| 43 | 4.560 115.82 | 4.400 111.76 | 4.200 106.68 | C8D43PF29012 | C8D43PF29132 | C8D43PF29042 |
| 50 | 5.260 133.60 | 5.100 129.54 | 4.900 124.46 | C8D50PF29012 | C8D50PF29132 | C8D50PF29042 |
| 60 | 6.260 159.00 | 6.100 154.94 | 5.900 149.86 | C8D60PF29012 | C8D60PF29132 | C8D60PF29042 |
| Tail Length .180 [4.57] (dim "J") | | | | | | |
| 6 | 0.860 21.84 | 0.700 17.78 | 0.500 12.70 | C8D06PF29013 | C8D06PF29133 | C8D06PF29043 |
| 10 | 1.260 32.00 | 1.100 27.94 | 0.900 22.86 | C8D10PF29013 | C8D10PF29133 | C8D10PF29043 |
| 12 | 1.460 37.08 | 1.300 33.02 | 1.100 27.94 | C8D12PF29013 | C8D12PF29133 | C8D12PF29043 |
| 15 | 1.760 44.70 | 1.600 40.64 | 1.400 35.56 | C8D15PF29013 | C8D15PF29133 | C8D15PF29043 |
| 20 | 2.260 57.40 | 2.100 53.34 | 1.900 48.26 | C8D20PF29013 | C8D20PF29133 | C8D20PF29043 |
| 22 | 2.460 62.48 | 2.300 58.42 | 2.100 53.34 | C8D22PF29013 | C8D22PF29133 | C8D22PF29043 |
| 25 | 2.760 70.10 | 2.600 66.04 | 2.400 60.96 | C8D25PF29013 | C8D25PF29133 | C8D25PF29043 |
| 28 | 3.060 77.72 | 2.900 73.66 | 2.700 68.58 | C8D28PF29013 | C8D28PF29133 | C8D28PF29043 |
| 30 | 3.260 82.80 | 3.100 78.74 | 2.900 73.66 | C8D30PF29013 | C8D30PF29133 | C8D30PF29043 |
| 31 | 3.360 85.34 | 3.200 81.28 | 3.000 76.20 | C8D31PF29013 | C8D31PF29133 | C8D31PF29043 |
| 35 | 3.760 95.50 | 3.600 91.44 | 3.400 86.36 | C8D35PF29013 | C8D35PF29133 | C8D35PF29043 |
| 36 | 3.860 98.04 | 3.700 93.98 | 3.500 88.90 | C8D36PF29013 | C8D36PF29133 | C8D36PF29043 |
| 40 | 4.260 108.20 | 4.100 104.14 | 3.900 99.06 | C8D40PF29013 | C8D40PF29133 | C8D40PF29043 |
| 43 | 4.560 115.82 | 4.400 111.76 | 4.200 106.68 | C8D43PF29013 | C8D43PF29133 | C8D43PF29043 |
| 50 | 5.260 133.60 | 5.100 129.54 | 4.900 124.46 | C8D50PF29013 | C8D50PF29133 | C8D50PF29043 |
| 60 | 6.260 159.00 | 6.100 154.94 | 5.900 149.86 | C8D60PF29013 | C8D60PF29133 | C8D60PF29043 |

Press-Fit
Board-to-Board Connectors

.125 x .250 [3.18 x 6.35] Centerline without Standoffs

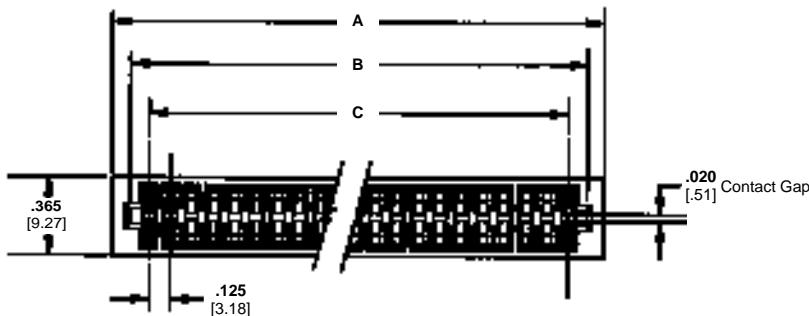
Product Facts

- **Recognized under the Component Program of Underwriters Laboratories Inc., File No. E60980** 
- **Certified by Canadian Standards Association, File No. LR49571** 



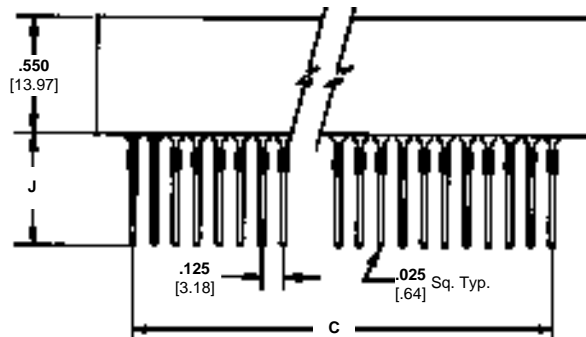
Physical Properties:

- Insulation Resistance**—5000 megohms minimum.
- Contact Retention Into PCB**—5 lbs. [356 N]
- Insertion/Withdrawal Force**—8 oz./2 oz. [35.6 N/ 8.9 N] average contact pair using .0620 [1.57] steel blade.
- Insulator Body**—Glass filled thermoplastic, UL rating 94V-0
- Color**—Black
- Contacts**—High strength copper alloy.
- Contact Plating**—.000050 [0.00127] nickel underplate with .000030 [0.00076] gold in the mating area, tin/lead on tails, .000100 [0.00254] minimum



Electrical Properties:

- Operating Voltage**—1000 VDC (sea level)
- Current Rating**—3 Amperes
- Initial Contact Resistance**—10 milliohms
- Environmental Properties:**
- Operating Temperature**—-55°C to +125°C
- Temperature Cycling**—MIL-STD-202 method 107
- Vibration**—MIL-STD-202, method 204

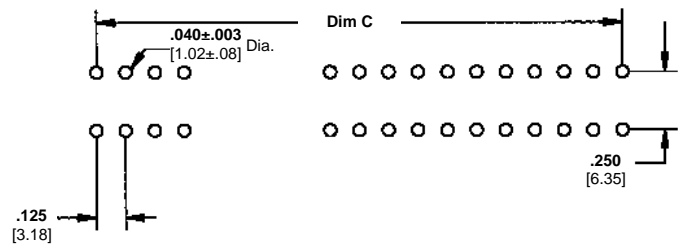


Application Tooling:

Insertion Tool—page 150

Related Product Data:

Daughter Card Edge Pattern—page 57



Note: Open ends and open/closed ends are available. Consult Tyco Electronics.

Press-Fit Board-to-Board Connectors

.125 [3.18] Centerline /.250 [6.35] Row-to-Row without Standoffs

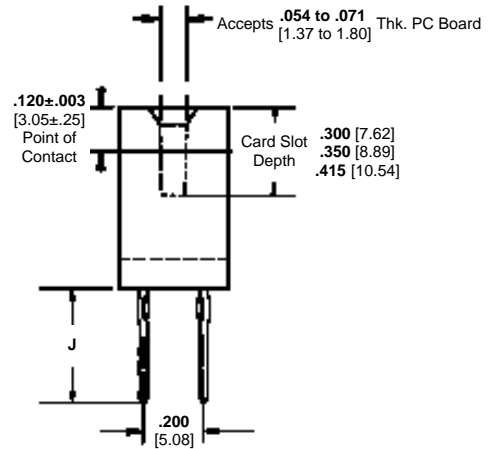
| No. of Dual Readout Positions | Dimensions | | | Acquired Part Numbers | | |
|---|-----------------|-----------------|-----------------|-----------------------------|-----------------------------|------------------------------|
| | A | B | C | .300 [7.62] Card Slot Depth | .350 [8.89] Card Slot Depth | .415 [10.54] Card Slot Depth |
| Tail Length .670 [17.02] (DIM "J") | | | | | | |
| 6 | 1.035 26.29 | 0.875 22.23 | 0.625 15.88 | C7D06PF29032 | C7D06PF29142 | C7D06PF29022 |
| 10 | 1.535 38.99 | 1.375 34.93 | 1.125 28.58 | C7D10PF29032 | C7D10PF29142 | C7D10PF29022 |
| 12 | 1.785 45.34 | 1.625 41.28 | 1.375 34.93 | C7D12PF29032 | C7D12PF29142 | C7D12PF29022 |
| 15 | 2.160 54.86 | 2.000 50.80 | 1.750 44.45 | C7D15PF29032 | C7D15PF29142 | C7D15PF29022 |
| 18 | 2.535 64.39 | 2.375 60.33 | 2.125 53.98 | C7D18PF29032 | C7D18PF29142 | C7D18PF29022 |
| 20 | 2.785 70.74 | 2.625 66.68 | 2.375 60.33 | C7D20PF29032 | C7D20PF29142 | C7D20PF29022 |
| 22 | 3.035 77.09 | 2.875 73.03 | 2.625 66.68 | C7D22PF29032 | C7D22PF29142 | C7D22PF29022 |
| 25 | 3.410 86.61 | 3.250 82.55 | 3.000 76.20 | C7D25PF29032 | C7D25PF29142 | C7D25PF29022 |
| 28 | 3.785 96.14 | 3.625 92.08 | 3.375 85.73 | C7D28PF29032 | C7D28PF29142 | C7D28PF29022 |
| 30 | 4.035 102.49 | 3.875 98.43 | 3.625 92.08 | C7D30PF29032 | C7D30PF29142 | C7D30PF29022 |
| 31 | 4.160 105.66 | 4.000 101.60 | 3.750 95.25 | C7D31PF29032 | C7D31PF29142 | C7D31PF29022 |
| 35 | 4.660 118.36 | 4.500 114.30 | 4.250 107.95 | C7D35PF29032 | C7D35PF29142 | C7D35PF29022 |
| 36 | 4.785 121.54 | 4.625 117.48 | 4.375 111.13 | C7D36PF29032 | C7D36PF29142 | C7D36PF29022 |
| 40 | 5.285 134.24 | 5.125 130.18 | 4.875 123.83 | C7D40PF29032 | C7D40PF29142 | C7D40PF29022 |
| 43 | 5.660 143.76 | 5.500 139.70 | 5.250 133.35 | C7D43PF29032 | C7D43PF29142 | C7D43PF29022 |
| 50 | 6.535 165.99 | 6.375 161.93 | 6.125 155.58 | C7D50PF29032 | C7D50PF29142 | C7D50PF29022 |
| Tail Length .180 [4.57] (DIM "J") | | | | | | |
| 6 | 1.035 26.29 | 0.875 22.23 | 0.625 15.88 | C7D06PF29033 | C7D06PF29143 | C7D06PF29023 |
| 10 | 1.535 38.99 | 1.375 34.93 | 1.125 28.58 | C7D10PF29033 | C7D10PF29143 | C7D10PF29023 |
| 12 | 1.785 45.34 | 1.625 41.28 | 1.375 34.93 | C7D12PF29033 | C7D12PF29143 | C7D12PF29023 |
| 15 | 2.160 54.86 | 2.000 50.80 | 1.750 44.45 | C7D15PF29033 | C7D15PF29143 | C7D15PF29023 |
| 18 | 2.535 64.39 | 2.375 60.33 | 2.125 53.98 | C7D18PF29033 | C7D18PF29143 | C7D18PF29023 |
| 20 | 2.785 70.74 | 2.625 66.68 | 2.375 60.33 | C7D20PF29033 | C7D20PF29143 | C7D20PF29023 |
| 22 | 3.035 77.09 | 2.875 73.03 | 2.625 66.68 | C7D22PF29033 | C7D22PF29143 | C7D22PF29023 |
| 25 | 3.410 86.61 | 3.250 82.55 | 3.000 76.20 | C7D25PF29033 | C7D25PF29143 | C7D25PF29023 |
| 28 | 3.785 96.14 | 3.625 92.08 | 3.375 85.73 | C7D28PF29033 | C7D28PF29143 | C7D28PF29023 |
| 30 | 4.035 102.49 | 3.875 98.43 | 3.625 92.08 | C7D30PF29033 | C7D30PF29143 | C7D30PF29023 |
| 31 | 4.160 105.66 | 4.000 101.60 | 3.750 95.25 | C7D31PF29033 | C7D31PF29143 | C7D31PF29023 |
| 35 | 4.660 118.36 | 4.500 114.30 | 4.250 107.95 | C7D35PF29033 | C7D35PF29143 | C7D35PF29023 |
| 36 | 4.785 121.54 | 4.625 117.48 | 4.375 111.13 | C7D36PF29033 | C7D36PF29143 | C7D36PF29023 |
| 40 | 5.285 134.24 | 5.125 130.18 | 4.875 123.83 | C7D40PF29033 | C7D40PF29143 | C7D40PF29023 |
| 43 | 5.660 143.76 | 5.500 139.70 | 5.250 133.35 | C7D43PF29033 | C7D43PF29143 | C7D43PF29023 |
| 50 | 6.535 165.99 | 6.375 161.93 | 6.125 155.58 | C7D50PF29033 | C7D50PF29143 | C7D50PF29023 |

Press-Fit Board-to-Board Connectors

.125 x .250 [3.18 x 6.35] Centerline with Standoffs

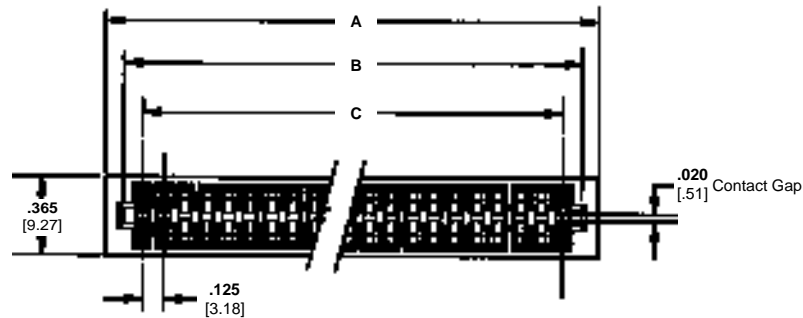
Product Facts

- **Recognized under the Component Program of Underwriters Laboratories Inc., File No. E60980** 
- **Certified by Canadian Standards Association, File No. LR49571** 



Physical Properties:

- Insulation Resistance**—5000 megohms minimum.
- Contact Retention Into PCB**—5 lbs. [356 N]
- Insertion/Withdrawal Force**—8 oz./2 oz. [35.6 N/ 8.9 N] average contact pair using .0620 [1.57] steel blade.
- Insulator Body**—Glass filled thermoplastic, UL rating 94V-0
- Color**—Black
- Contacts**—High strength copper alloy.
- Contact Plating**—.000050 [0.00127] nickel underplate with .000030 [0.00076] gold in the mating area, tin/lead on tails, .000100 [0.00254] minimum

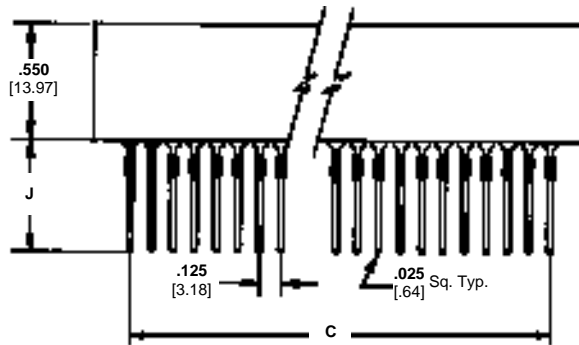


Electrical Properties:

- Operating Voltage**—1000 VDC (sea level)
- Current Rating**—3 Amperes
- Initial Contact Resistance**—10 milliohms

Environmental Properties:

- Operating Temperature**—-55°C to +125°C
- Temperature Cycling**—MIL-STD-202 method 107
- Vibration**—MIL-STD-202, method 204

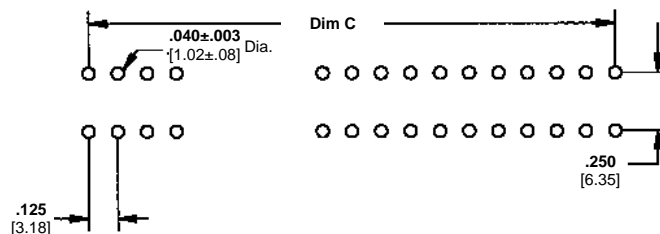


Application Tooling:

Insertion Tool—page 150

Related Product Data:

Daughter Card Edge Pattern—page 57



Note: Open ends and open/closed ends are available. Consult Tyco Electronics.

Press-Fit Board-to-Board Connectors

.125 [3.18] Centerline / .250 [6.35] Row-to-Row with Standoffs

| No. of Dual Readout Positions | Dimensions | | | Acquired Part Numbers | | |
|---|-----------------|-----------------|-----------------|-----------------------------|-----------------------------|------------------------------|
| | A | B | C | .300 [7.62] Card Slot Depth | .350 [8.89] Card Slot Depth | .415 [10.54] Card Slot Depth |
| Tail Length .670 [17.02] (DIM "J") | | | | | | |
| 6 | 1.035 26.29 | 0.875 22.23 | 0.625 15.88 | C7D06PF29012 | C7D06PF29132 | C7D06PF29042 |
| 10 | 1.535 38.99 | 1.375 34.93 | 1.125 28.58 | C7D10PF29012 | C7D10PF29132 | C7D10PF29042 |
| 12 | 1.785 45.34 | 1.625 41.28 | 1.375 34.93 | C7D12PF29012 | C7D12PF29132 | C7D12PF29042 |
| 15 | 2.160 54.86 | 2.000 50.80 | 1.750 44.45 | C7D15PF29012 | C7D15PF29132 | C7D15PF29042 |
| 18 | 2.535 64.39 | 2.375 60.33 | 2.125 53.98 | C7D18PF29012 | C7D18PF29132 | C7D18PF29042 |
| 20 | 2.785 70.74 | 2.625 66.68 | 2.375 60.33 | C7D20PF29012 | C7D20PF29132 | C7D20PF29042 |
| 22 | 3.035 77.09 | 2.875 73.03 | 2.625 66.68 | C7D22PF29012 | C7D22PF29132 | C7D22PF29042 |
| 25 | 3.410 86.61 | 3.250 82.55 | 3.000 76.20 | C7D25PF29012 | C7D25PF29132 | C7D25PF29042 |
| 28 | 3.785 96.14 | 3.625 92.08 | 3.375 85.73 | C7D28PF29012 | C7D28PF29132 | C7D28PF29042 |
| 30 | 4.035 102.49 | 3.875 98.43 | 3.625 92.08 | C7D30PF29012 | C7D30PF29132 | C7D30PF29042 |
| 31 | 4.160 105.66 | 4.000 101.60 | 3.750 95.25 | C7D31PF29012 | C7D31PF29132 | C7D31PF29042 |
| 35 | 4.660 118.36 | 4.500 114.30 | 4.250 107.95 | C7D35PF29012 | C7D35PF29132 | C7D35PF29042 |
| 36 | 4.785 121.54 | 4.625 117.48 | 4.375 111.13 | C7D36PF29012 | C7D36PF29132 | C7D36PF29042 |
| 40 | 5.285 134.24 | 5.125 130.18 | 4.875 123.83 | C7D40PF29012 | C7D40PF29132 | C7D40PF29042 |
| 43 | 5.660 143.76 | 5.500 139.70 | 5.250 133.35 | C7D43PF29012 | C7D43PF29132 | C7D43PF29042 |
| 50 | 6.535 165.99 | 6.375 161.93 | 6.125 155.58 | C7D50PF29012 | C7D50PF29132 | C7D50PF29042 |
| Tail Length .180 [4.57] (DIM "J") | | | | | | |
| 6 | 1.035 26.29 | 0.875 22.23 | 0.625 15.88 | C7D06PF29013 | C7D06PF29133 | C7D06PF29043 |
| 10 | 1.535 38.99 | 1.375 34.93 | 1.125 28.58 | C7D10PF29013 | C7D10PF29133 | C7D10PF29043 |
| 12 | 1.785 45.34 | 1.625 41.28 | 1.375 34.93 | C7D12PF29013 | C7D12PF29133 | C7D12PF29043 |
| 15 | 2.160 54.86 | 2.000 50.80 | 1.750 44.45 | C7D15PF29013 | C7D15PF29133 | C7D15PF29043 |
| 18 | 2.535 64.39 | 2.375 60.33 | 2.125 53.98 | C7D18PF29013 | C7D18PF29133 | C7D18PF29043 |
| 20 | 2.785 70.74 | 2.625 66.68 | 2.375 60.33 | C7D20PF29013 | C7D20PF29133 | C7D20PF29043 |
| 22 | 3.035 77.09 | 2.875 73.03 | 2.625 66.68 | C7D22PF29013 | C7D22PF29133 | C7D22PF29043 |
| 25 | 3.410 86.61 | 3.250 82.55 | 3.000 76.20 | C7D25PF29013 | C7D25PF29133 | C7D25PF29043 |
| 28 | 3.785 96.14 | 3.625 92.08 | 3.375 85.73 | C7D28PF29013 | C7D28PF29133 | C7D28PF29043 |
| 30 | 4.035 102.49 | 3.875 98.43 | 3.625 92.08 | C7D30PF29013 | C7D30PF29133 | C7D30PF29043 |
| 31 | 4.160 105.66 | 4.000 101.60 | 3.750 95.25 | C7D31PF29013 | C7D31PF29133 | C7D31PF29043 |
| 35 | 4.660 118.36 | 4.500 114.30 | 4.250 107.95 | C7D35PF29013 | C7D35PF29133 | C7D35PF29043 |
| 36 | 4.785 121.54 | 4.625 117.48 | 4.375 111.13 | C7D36PF29013 | C7D36PF29133 | C7D36PF29043 |
| 40 | 5.285 134.24 | 5.125 130.18 | 4.875 123.83 | C7D40PF29013 | C7D40PF29133 | C7D40PF29043 |
| 43 | 5.660 143.76 | 5.500 139.70 | 5.250 133.35 | C7D43PF29013 | C7D43PF29133 | C7D43PF29043 |
| 50 | 6.535 165.99 | 6.375 161.93 | 6.125 155.58 | C7D50PF29013 | C7D50PF29133 | C7D50PF29043 |

NOTE: Optional stacking designs are available (consult Tyco Electronics).

Press-Fit
Board-to-Board Connectors

.156 x .200 [3.18 x 5.08] Centerline without Standoffs

Product Facts

- **Recognized under the Component Program of Underwriters Laboratories Inc., File No. E60980** 
- **Certified by Canadian Standards Association, File No. LR49571** 

Physical Properties:

- Insulation Resistance**—5000 megohms minimum.
- Contact Retention Into PCB**—5 lbs. [356 N]
- Insertion/Withdrawal Force**—8 oz./2 oz. [35.6 N/ 8.9 N] average contact pair using .0620 [1.57] steel blade.
- Insulator Body**—Glass filled thermoplastic, UL rating 94V-0
- Color**—Black
- Contacts**—High strength copper alloy.
- Contact Plating**—.000050 [0.00127] nickel underplate with .000030 [0.00076] gold in the mating area, tin/lead on tails, .000100 [0.00254] minimum

Electrical Properties:

- Operating Voltage**—1500 VDC (sea level)
- Current Rating**—3 Amperes
- Initial Contact Resistance**—10 milliohms

Environmental Properties:

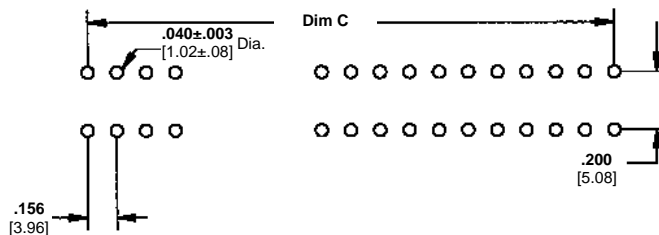
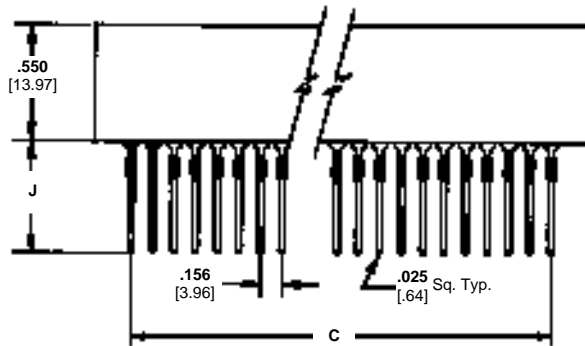
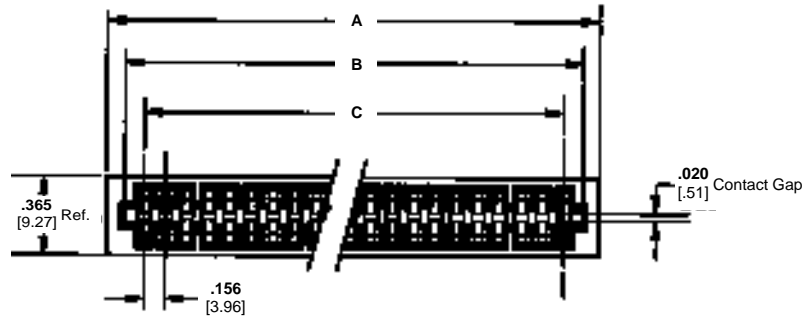
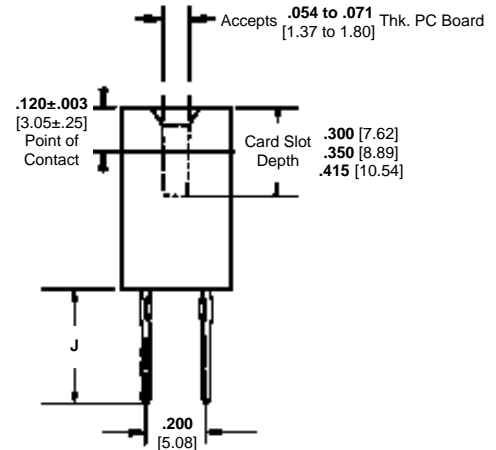
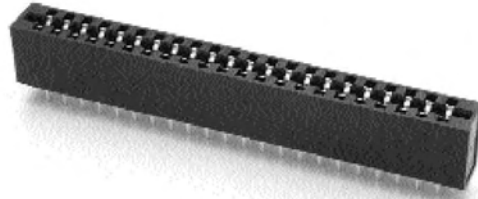
- Operating Temperature**—-55°C to +125°C
- Temperature Cycling**—MIL-STD-202 method 107
- Vibration**—MIL-STD-202, method 204

Application Tooling:

Insertion Tool—page 150

Related Product Data:

Daughter Card Edge Pattern—page 57



Note: Open ends and open/closed ends are available. Consult Tyco Electronics.

Press-Fit Board-to-Board Connectors

Ordering Information

.156 [3.18] Centerline/.200 [5.08] Row-to-Row without Standoffs

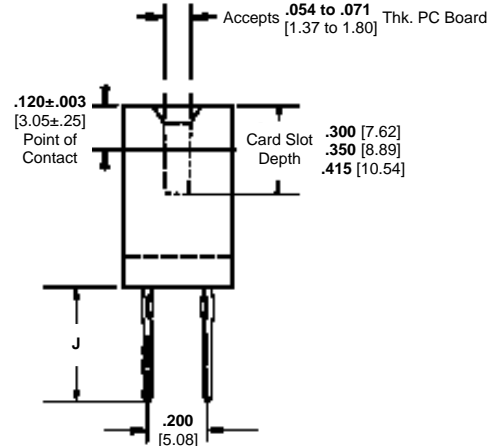
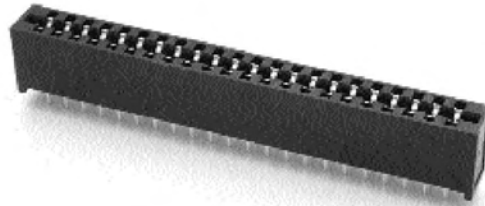
| No. of Dual Readout Positions | Dimensions | | | Acquired Part Numbers | | |
|---|-----------------|-----------------|-----------------|-----------------------------|-----------------------------|------------------------------|
| | A | B | C | .300 [7.62] Card Slot Depth | .350 [8.84] Card Slot Depth | .415 [10.54] Card Slot Depth |
| .670 [17.02] Tail Length (DIM "J") | | | | | | |
| 6 | 1.221 31.01 | 1.100 27.94 | 0.780 19.81 | C6D06PF29032 | C6D06PF29142 | C6D06PF29022 |
| 10 | 1.845 46.86 | 1.724 43.79 | 1.404 35.66 | C6D10PF29032 | C6D10PF29142 | C6D10PF29022 |
| 12 | 2.157 54.79 | 2.036 51.71 | 1.716 43.59 | C6D12PF29032 | C6D12PF29142 | C6D12PF29022 |
| 15 | 2.625 66.68 | 2.504 63.60 | 2.184 55.47 | C6D15PF29032 | C6D15PF29142 | C6D15PF29022 |
| 18 | 3.093 78.56 | 2.972 75.49 | 2.652 67.36 | C6D18PF29032 | C6D18PF29142 | C6D18PF29022 |
| 20 | 3.405 86.49 | 3.284 83.41 | 2.964 75.29 | C6D20PF29032 | C6D20PF29142 | C6D20PF29022 |
| 22 | 3.717 94.41 | 3.596 91.34 | 3.276 83.21 | C6D22PF29032 | C6D22PF29142 | C6D22PF29022 |
| 25 | 4.185 106.30 | 4.064 103.23 | 3.744 95.10 | C6D25PF29032 | C6D25PF29142 | C6D25PF29022 |
| 28 | 4.653 118.19 | 4.532 115.11 | 4.212 106.98 | C6D28PF29032 | C6D28PF29142 | C6D28PF29022 |
| 30 | 4.965 126.11 | 4.844 123.04 | 4.524 114.91 | C6D30PF29032 | C6D30PF29142 | C6D30PF29022 |
| 31 | 5.121 130.07 | 5.000 127.00 | 4.680 118.87 | C6D31PF29032 | C6D31PF29142 | C6D31PF29022 |
| 35 | 5.745 145.92 | 5.624 142.85 | 5.304 134.72 | C6D35PF29032 | C6D35PF29142 | C6D35PF29022 |
| 36 | 5.901 149.89 | 5.780 146.81 | 5.460 138.68 | C6D36PF29032 | C6D36PF29142 | C6D36PF29022 |
| 40 | 6.525 165.74 | 6.404 162.66 | 6.085 154.56 | C6D40PF29032 | C6D40PF29142 | C6D40PF29022 |
| 43 | 6.993 177.62 | 6.872 174.55 | 6.552 166.42 | C6D43PF29032 | C6D43PF29142 | C6D43PF29022 |
| .180 [4.57] Tail Length (DIM "J") | | | | | | |
| 6 | 1.221 31.01 | 1.100 27.94 | 0.780 19.81 | C6D06PF29033 | C6D06PF29143 | C6D06PF29023 |
| 10 | 1.845 46.86 | 1.724 43.79 | 1.404 35.66 | C6D10PF29033 | C6D10PF29143 | C6D10PF29023 |
| 12 | 2.157 54.79 | 2.036 51.71 | 1.716 43.59 | C6D12PF29033 | C6D12PF29143 | C6D12PF29023 |
| 15 | 2.625 66.68 | 2.504 63.60 | 2.184 55.47 | C6D15PF29033 | C6D15PF29143 | C6D15PF29023 |
| 18 | 3.093 78.56 | 2.972 75.49 | 2.652 67.36 | C6D18PF29033 | C6D18PF29143 | C6D18PF29023 |
| 20 | 3.405 86.49 | 3.284 83.41 | 2.964 75.29 | C6D20PF29033 | C6D20PF29143 | C6D20PF29023 |
| 22 | 3.717 94.41 | 3.596 91.34 | 3.276 83.21 | C6D22PF29033 | C6D22PF29143 | C6D22PF29023 |
| 25 | 4.185 106.30 | 4.064 103.23 | 3.744 95.10 | C6D25PF29033 | C6D25PF29143 | C6D25PF29023 |
| 28 | 4.653 118.19 | 4.532 115.11 | 4.212 106.98 | C6D28PF29033 | C6D28PF29143 | C6D28PF29023 |
| 30 | 4.965 126.11 | 4.844 123.04 | 4.524 114.91 | C6D30PF29033 | C6D30PF29143 | C6D30PF29023 |
| 31 | 5.121 130.07 | 5.000 127.00 | 4.680 118.87 | C6D31PF29033 | C6D31PF29143 | C6D31PF29023 |
| 35 | 5.745 145.92 | 5.624 142.85 | 5.304 134.72 | C6D35PF29033 | C6D35PF29143 | C6D35PF29023 |
| 36 | 5.901 149.89 | 5.780 146.81 | 5.460 138.68 | C6D36PF29033 | C6D36PF29143 | C6D36PF29023 |
| 40 | 6.525 165.74 | 6.404 162.66 | 6.085 154.56 | C6D40PF29033 | C6D40PF29143 | C6D40PF29023 |
| 43 | 6.993 177.62 | 6.872 174.55 | 6.552 166.42 | C6D43PF29033 | C6D43PF29143 | C6D43PF29023 |

Press-Fit Board-to-Board Connectors

.156 x .200 [3.18 x 5.08] Centerline with Standoffs

Product Facts

- **Recognized under the Component Program of Underwriters Laboratories Inc., File No. E60980** 
- **Certified by Canadian Standards Association, File No. LR49571** 



Physical Properties:

- Insulation Resistance**—5000 megohms minimum.
- Contact Retention Into PCB**—5 lbs. [356 N]
- Insertion/Withdrawal Force**—8 oz./2 oz. [35.6 N/ 8.9 N] average contact pair using .0620 [1.57] steel blade.
- Insulator Body**—Glass filled thermoplastic, UL rating 94V-0
- Color**—Black
- Contacts**—High strength copper alloy.
- Contact Plating**—.000050 [0.00127] nickel underplate with .000030 [0.00076] gold in the mating area, tin/lead on tails, .000100 [0.00254] minimum

Electrical Properties:

- Operating Voltage**—1500 VDC (sea level)
- Current Rating**—3 Amperes
- Initial Contact Resistance**—10 milliohms

Environmental Properties:

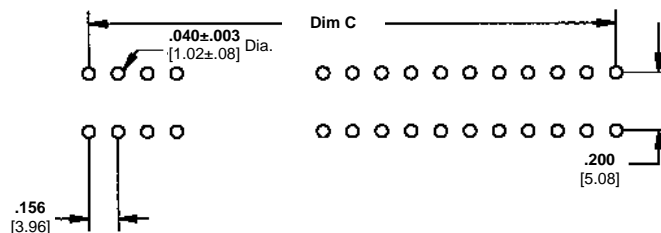
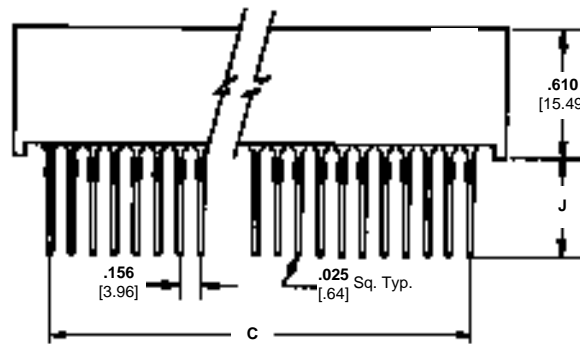
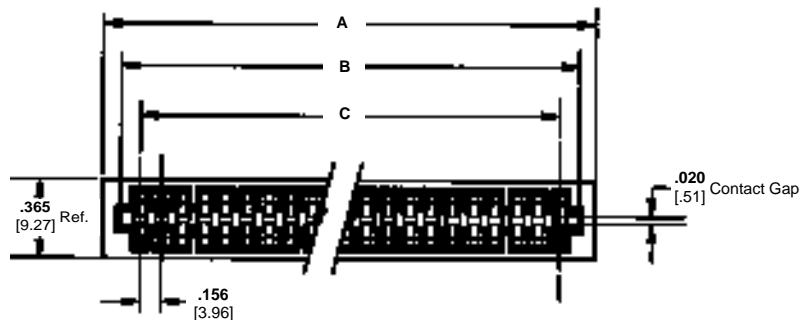
- Operating Temperature**—-55°C to +125°C
- Temperature Cycling**—MIL-STD-202 method 107
- Vibration**—MIL-STD-202, method 204

Application Tooling:

Insertion Tool—page 150

Related Product Data:

Daughter Card Edge Pattern—page 57



Note: Open ends and open/closed ends are available. Consult Tyco Electronics.

Press-Fit Board-to-Board Connectors

.156 [3.18] Centerline/.200 [5.08] Row-to-Row with Standoffs

| No. of Dual Readout Positions | Dimensions | | | Acquired Part Numbers | | |
|---|-----------------|-----------------|-----------------|-----------------------------|-----------------------------|------------------------------|
| | A | B | C | .300 [7.62] Card Slot Depth | .350 [8.89] Card Slot Depth | .415 [10.54] Card Slot Depth |
| .670 [17.02] Tail Length (DIM "J") | | | | | | |
| 6 | 1.221 31.01 | 1.100 27.94 | 0.780 19.81 | C6D06PF29012 | C6D06PF29132 | C6D06PF29042 |
| 10 | 1.845 46.86 | 1.724 43.79 | 1.404 35.66 | C6D10PF29012 | C6D10PF29132 | C6D10PF29042 |
| 12 | 2.157 54.79 | 2.036 51.71 | 1.716 43.59 | C6D12PF29012 | C6D12PF29132 | C6D12PF29042 |
| 15 | 2.625 66.68 | 2.504 63.60 | 2.184 55.47 | C6D15PF29012 | C6D15PF29132 | C6D15PF29042 |
| 18 | 3.093 78.56 | 2.972 75.49 | 2.652 67.36 | C6D18PF29012 | C6D18PF29132 | C6D18PF29042 |
| 20 | 3.405 86.49 | 3.284 83.41 | 2.964 75.29 | C6D20PF29012 | C6D20PF29132 | C6D20PF29042 |
| 22 | 3.717 94.41 | 3.596 91.34 | 3.276 83.21 | C6D22PF29012 | C6D22PF29132 | C6D22PF29042 |
| 25 | 4.185 106.30 | 4.064 103.23 | 3.744 95.10 | C6D25PF29012 | C6D25PF29132 | C6D25PF29042 |
| 28 | 4.653 118.19 | 4.532 115.11 | 4.212 106.98 | C6D28PF29012 | C6D28PF29132 | C6D28PF29042 |
| 30 | 4.965 126.11 | 4.844 123.04 | 4.524 114.91 | C6D30PF29012 | C6D30PF29132 | C6D30PF29042 |
| 31 | 5.121 130.07 | 5.000 127.00 | 4.680 118.87 | C6D31PF29012 | C6D31PF29132 | C6D31PF29042 |
| 35 | 5.745 145.92 | 5.624 142.85 | 5.304 134.72 | C6D35PF29012 | C6D35PF29132 | C6D35PF29042 |
| 36 | 5.901 149.89 | 5.780 146.81 | 5.460 138.68 | C6D36PF29012 | C6D36PF29132 | C6D36PF29042 |
| 40 | 6.525 165.74 | 6.404 162.66 | 6.085 154.56 | C6D40PF29012 | C6D40PF29132 | C6D40PF29042 |
| 43 | 6.993 177.62 | 6.872 174.55 | 6.552 166.42 | C6D43PF29012 | C6D43PF29132 | C6D43PF29042 |

.180 [4.57] Tail Length (DIM "J")

| | | | | | | |
|----|-----------------|-----------------|-----------------|--------------|--------------|--------------|
| 6 | 1.221 31.01 | 1.100 27.94 | 0.780 19.81 | C6D06PF29013 | C6D06PF29133 | C6D06PF29043 |
| 10 | 1.845 46.86 | 1.724 43.79 | 1.404 35.66 | C6D10PF29013 | C6D10PF29133 | C6D10PF29043 |
| 12 | 2.157 54.79 | 2.036 51.71 | 1.716 43.59 | C6D12PF29013 | C6D12PF29133 | C6D12PF29043 |
| 15 | 2.625 66.68 | 2.504 63.60 | 2.184 55.47 | C6D15PF29013 | C6D15PF29133 | C6D15PF29043 |
| 18 | 3.093 78.56 | 2.972 75.49 | 2.652 67.36 | C6D18PF29013 | C6D18PF29133 | C6D18PF29043 |
| 20 | 3.405 86.49 | 3.284 83.41 | 2.964 75.29 | C6D20PF29013 | C6D20PF29133 | C6D20PF29043 |
| 22 | 3.717 94.41 | 3.596 91.34 | 3.276 83.21 | C6D22PF29013 | C6D22PF29133 | C6D22PF29043 |
| 25 | 4.185 106.30 | 4.064 103.23 | 3.744 95.10 | C6D25PF29013 | C6D25PF29133 | C6D25PF29043 |
| 28 | 4.653 118.19 | 4.532 115.11 | 4.212 106.98 | C6D28PF29013 | C6D28PF29133 | C6D28PF29043 |
| 30 | 4.965 126.11 | 4.844 123.04 | 4.524 114.91 | C6D30PF29013 | C6D30PF29133 | C6D30PF29043 |
| 31 | 5.121 130.07 | 5.000 127.00 | 4.680 118.87 | C6D31PF29013 | C6D31PF29133 | C6D31PF29043 |
| 35 | 5.745 145.92 | 5.624 142.85 | 5.304 134.72 | C6D35PF29013 | C6D35PF29133 | C6D35PF29043 |
| 36 | 5.901 149.89 | 5.780 146.81 | 5.460 138.68 | C6D36PF29013 | C6D36PF29133 | C6D36PF29043 |
| 40 | 6.525 165.74 | 6.404 162.66 | 6.085 154.56 | C6D40PF29013 | C6D40PF29133 | C6D40PF29043 |
| 43 | 6.993 177.62 | 6.872 174.55 | 6.552 166.42 | C6D43PF29013 | C6D43PF29133 | C6D43PF29043 |

Press-Fit
Board-to-Board Connectors

Tyco Electronics offers a complete line of servo-electric driven presses for the application of press-fit connectors. Each system features a PC controlled servo electric drive for precise application and monitoring of force, speed, and press height. The entire process is data driven to provide flexible programming and automatic set-up. SPC analysis is provided for each connector pressed to assure the quality of every application.

Press-Fit Application Tooling

BMEP 1K/2K Servo Electric Press

- 1000 or 2000 lb force [4.5 or 9 kN]
- 12" [305 mm] throat depth
- Compact footprint – 16" x 24" [406 x 610 mm]
- Force resolution of approximately 1 lb [4.4 N] for delicate press applications.



BMEP 3T/5T Benchtop Electric Servo Press

- 3 or 5 tons force [27 or 44 kN]
- 18" x 24" [460 x 610 mm] PCB capacity
- Compact footprint – 24" x 48" [610 x 1220 mm]
- Midrange force and board size capacity in a benchtop unit.



MEP 6T/12 T Manual Electric Servo Press

- 6 or 12 tons force [53 or 107 kN]
- 24" x 36" [610 x 914 mm] PCB capacity
- Self-contained, portable unit
- Compact, manual unit capable of handling large boards and high force applications.

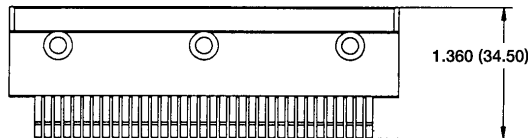
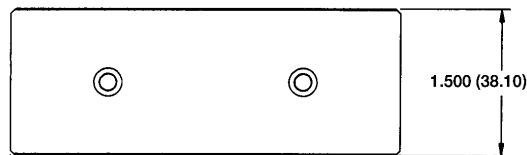
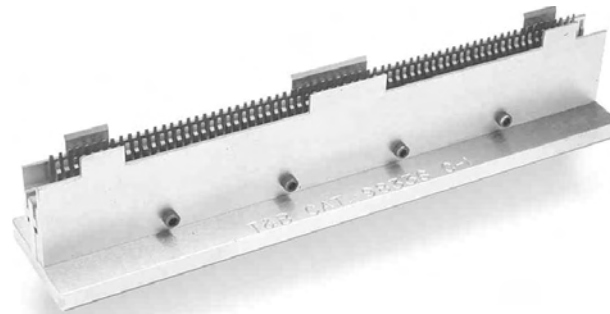


Automatic Pick, Place and Press (AP3)

- 8 tons force [71 kN]
- 18" x 30" [457 x 762 mm] PCB capacity
- SMEMA compatible unit for automatic pick, place and press of connectors and odd-from components.
- Vision system for pin inspection prior to placement.



Press-Fit Card Edge Insertion Tools



Ordering Information

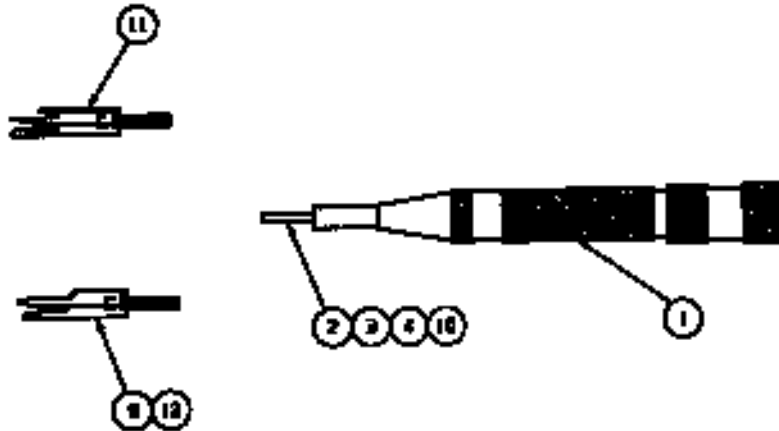
| Center-to Center | Connector Prefix | Max. No. Of Positions | Tool Part Number | | Replacement Blade Part Number | |
|--|------------------|-----------------------|------------------|-------------|-------------------------------|-----------|
| | | | Acquired P/N | TYCO | Acquired P/N | Tyco |
| .100 x .100 2.54 x 2.54 | C1 | 70 | 98336 | 3-1437266-5 | 98293 | 1437274-1 |
| .100 x .100 2.54 x 2.54 | C1 | 100 | 98341 | — | 98293 | 1437274-1 |
| .156 x .200 3.96 x 5.08 | C6 | 43 | 98231 | 1-1437266-1 | 98206 | 1437266-8 |
| .125 x .250 3.18 x 6.35 | C7 | 50 | 98230 | 1-1437266-0 | 98206 | 1437266-8 |
| .100 x .200 2.54 x 5.08 | C8 | 70 | 98224 | 1437266-9 | 98206 | 1437266-8 |
| .100 x .200 2.54 x 5.08 (Full Scoop) | W8 | 70 | 98236 | 1490560-1 | 98238 | 1490563-1 |
| .100 x .200 2.54 x 5.08 (Full Scoop) | W8 | 35 | 98236 | 1490560-2 | 98238 | 1490563-1 |

Press-Fit Board-to-Board Connectors

Press-Fit Card Edge Removal Tool Kits

Description

Removal tool kits include: impact tools, removal tips for tail lengths ranging from .180 in. [4.57] to .680 in. [17.27] Kits for .100" x .200" [2.54 x 5.08] Series Card Edge connectors include the insertion tip.



Ordering Information

| Center x Row | Prefix | Acquired Kit Number | Tyco Kit Number |
|---|--------|---------------------|-----------------|
| .156 x .200 3.96 x 5.08 | C6 | 9818002 | 1437266-3 |
| .125 x .250 3.18 x 6.35 | C7 | 9818002 | 1437266-3 |
| .100 x .200 2.54 x 5.08 | C8 | 9818002 | 1437266-3 |
| .100 x .100 2.54 x 2.54 | C1 | 9818004 | 1437266-4 |
| .100 x .200 2.54 x 5.08 Wide Full Scoop | W8 | 9818005 | 1437266-5 |

Ordering Information

| Item No. | Description | Applies to Kit No. | | | | | Replacement Part Number | Tyco Part Number |
|----------|---|--------------------|---------|---------|---------|---------|-------------------------|------------------|
| | | 9818001 | 9818001 | 9818003 | 9818004 | 9818005 | | |
| 1 | Impact Tool | | | | | | 9820401 | 1437266-7 |
| 2 | Removal Tip - .180 [4.57] Tail | | | | | | 9820301 | 1437266-6 |
| 3 | Removal Tip - .378/.475 Tail 9.60/12.07 | | | | | | 9820302 | 1437260-4 |
| 4 | Removal Tip - .670/.680 Tail 17.02/17.27 | | | | | | 9820303 | — |
| 6 | Insertion Tip - C6, 7 & 8 PF | | | | | | 9836701 | 3-1437266-9 |
| 10 | Removal Tip - .550/.625 Tail 13.97/15.88 | | | | | | 9820305 | 1437260-5 |
| 11 | Insertion Tip - C1 Series PF | | | | | | 9836301 | 1437260-6 |
| 12 | Insertion Tip - W8 Series PF | | | | | | 9836702 | 1437260-7 |

Wire-to-Board Connectors

Except for DUO-TYNE flag connectors, which are exclusively for wire-to-board application, the connectors presented in this section are primarily wire-to-board connectors, but do have some board-to-board capabilities. These connectors are available in a wide range of styles to suit almost any wire-to-board application. This versatile connector family features snap-in contacts of various configurations including crimp, post, eyelet and solder types.

Wire-to-board crimp, snap-in contacts are easily inserted into the connector housing and are furnished in reel-fed strip form for automatic machine application and loose piece for hand tool termination. The Wire-to-Board Printed Circuit Board Connector family includes:

Crimp Snap Twin Leaf Connectors

(Pages 154-163)

These connectors are designed for high density wire-to-board applications and feature bifurcated, crimp and solder eyelet contacts on .100 [2.54] and .125 [3.18] centers. Design flexibility allows the customer to save by purchasing only enough contacts for his circuit design requirements. Contact styles include crimp, solder eyelet and vertical and right-angle posts, in a variety of sizes.

AMP-LEAF Connectors

(Pages 164-172)

These connectors are for single- or double-sided printed circuit boards. Snap-in contacts lock in place on .156 [3.96] centers, maintaining constant pressure on circuit paths. Contact options are available for precision crimped terminations and solder dip applications.

High Current Connectors

(Pages 173-176)

Designed for a current capability of up to 30 amperes, these connectors are an economical answer to the costly problem of interconnecting high current printed circuitry. Styles are available for wire-to-board and board-to-board applications. Contacts are on .312 [7.92] centers.

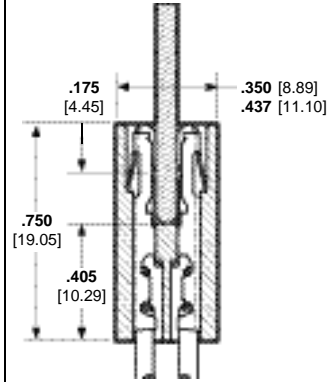
DUO-TYNE Flag Connectors

(Pages 177-180)

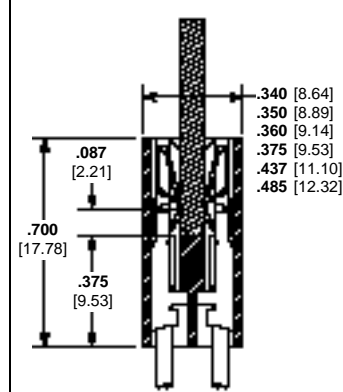
These economical connectors are designed to meet the quality and reliability requirements of industries such as appliance controls, vending machine subassemblies, television, stereo, business machines and other areas with similar control needs. The right-angle design of the connector permits close-quarter cabling. Contacts are doubly locked in when a PC board is inserted.

Wire-to-Board Connector Selection Guide

**Crimp Snap
Twin Leaf Connectors
(Pages 154-163)**



**AMP-LEAF
Connectors
(Pages 164-172)**



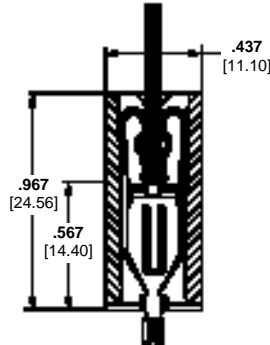
Centerlines

| | | |
|-------------|---|---|
| .100 [2.54] | X | |
| .125 [3.18] | X | |
| .156 [3.96] | X | X |
| .197 [5.00] | | |
| .260 [6.60] | | |
| .312 [7.92] | | |

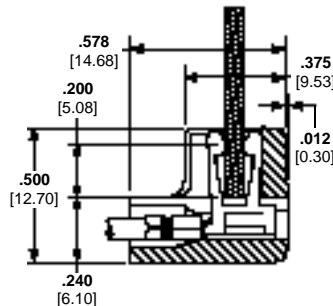
Styles

| | | |
|------------------|---|---|
| Crimp | X | X |
| Right-Angle Post | X | X |
| Wrap-Type Post | X | X |
| Solder Eyelet | X | X |
| Solder Tail | X | X |
| Double Sided | X | X |
| Single Sided | X | X |

**High Current
Connectors
(Pages 173-176)**



**DUO-TYNE Flag
Connectors
(Pages 177-180)**



Centerlines

| | | |
|-------------|---|---|
| .100 [2.54] | | |
| .125 [3.18] | | |
| .156 [3.96] | | X |
| .197 [5.00] | | |
| .260 [6.60] | | |
| .312 [7.92] | X | |

Styles

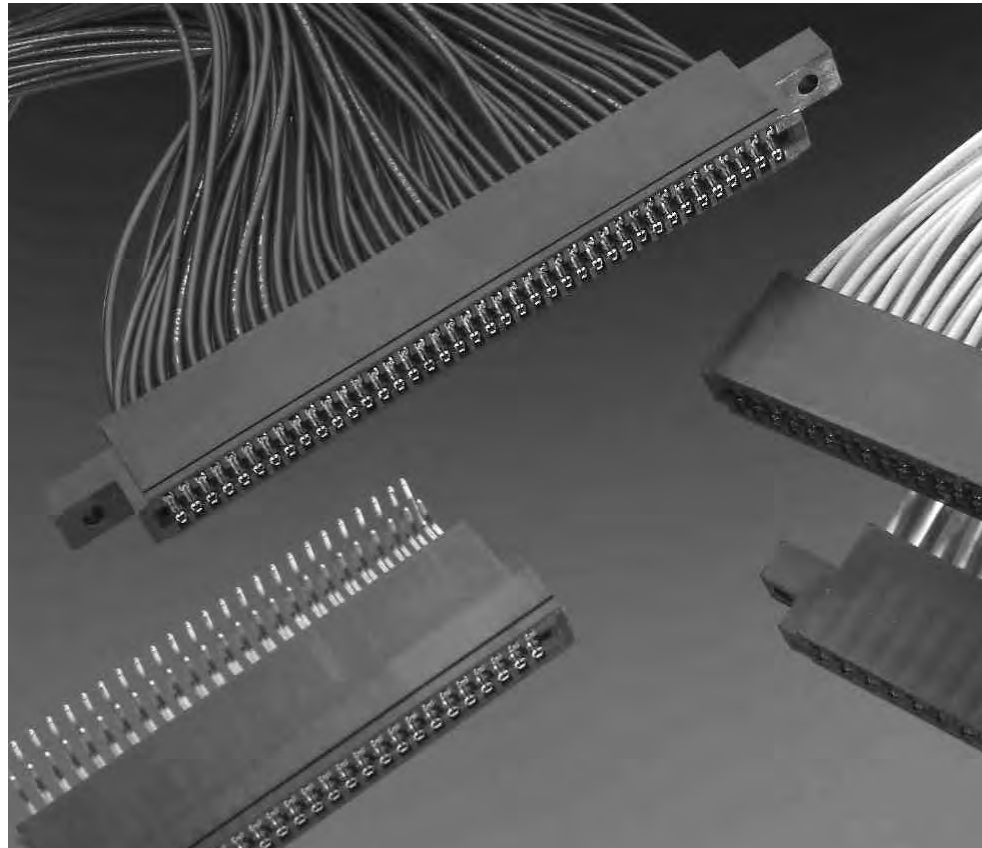
| | | |
|------------------|---|----|
| Crimp | X | X |
| Right-Angle Post | | |
| Wrap-Type Post | | |
| Solder Eyelet | | |
| Solder Tail | X | |
| Double Sided | X | X* |
| Single Sided | | |

*Double-sided board; single readout.

Crimp Snap Twin Leaf Connectors

Product Facts

- Crimp snap-in, solder eye-let, .025 [0.64] square posted and right angle contacts on .100 [2.54], .125 [3.18] or .156 [3.96] centers
- Customer buys only enough contacts to meet circuit and retention requirements
- Contacts bifurcated for redundancy
- Single leaf version available for higher contact normal forces
- Low insertion forces
- Accommodates AWG 16-28 [1.4-0.08 mm²] wire range and insulation diameters .035-.105 [0.89-2.67]
- Large variety of connector sizes
- Cavity identification on face of card slot and wire entry
- High speed automatic machine terminations provide uniform reliability at lowest applied cost
- Recognized under the Component Program of Underwriters Laboratories Inc. File No. E28476
- Certified by Canadian Standards Association File No. LR 7189



The Crimp Snap Twin Leaf Connector is designed especially for high density wire-to-board applications. Termination styles include crimp, solder, posted and right angle, in a variety of sizes.

Design flexibility allows the customer to save by purchasing only enough contacts for the circuit requirements. Easy replaceability of each contact cuts repair cost in the event of contact or wire damage.

Performance Specifications

Contact Rating*: 5 amperes, continuous 3 amperes, max. (for .025 [0.64] posted contacts)

Contact Resistance: 10 milliohms, max.

Insulation Resistance: 5000 megohms (initial)
1000 megohms

Voltage Rating:
.100 [2.54] Centerline-1000 Vrms
.125 [3.18] Centerline-1500 Vrms
.156 [3.96] Centerline-1800 Vrms

Insertion Force (per pair): Twin Leaf-10 oz. [2.78 N], max.; 7.6 oz. [2.11 N], avg. Non-Bifurcated Contacts-20 oz. [5.57 N], max.

Extraction Force (per pair): Twin Leaf-0.7 oz. [0.195 N], min.; 1.2 oz. [0.334 N], avg.

Operating Temperature: -55°C to +105°C

*Consult Tyco Electronics engineering when paralleling contacts for power applications.

Crimp Snap Twin Leaf Connectors (Continued)

Crimp, Snap-In Contacts

Material and Finish:

Phosphor bronze, plated .000030 [0.00076] nickel on entire contact, with the addition of one of the following platings:

Plating A—.000030 [0.00076] gold in mating area

Plating B—.000015 [0.00038] gold in mating area

Plating C—.000050 [0.00127] gold in mating area, with gold flash on remainder of contact

Plating D—.000015 [0.00038] gold in mating area, with gold flash on remainder of contact

Note: Tin plating is available upon request.

Related Product Data:

Performance Specifications—page 154

Application Tooling—pages 184,185

Connector Housings—pages 157, 159, 161

Technical Documents:

(pages 186, 187):

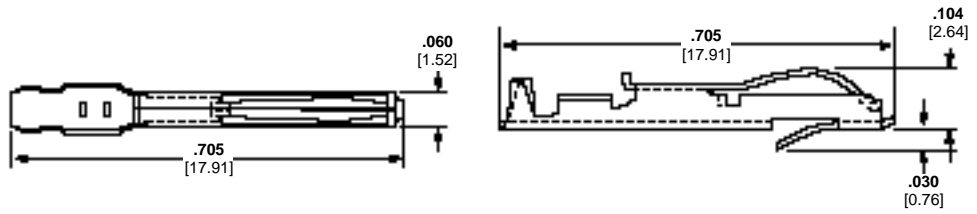
Product Specification 108-9031

Application Specification 114-9004

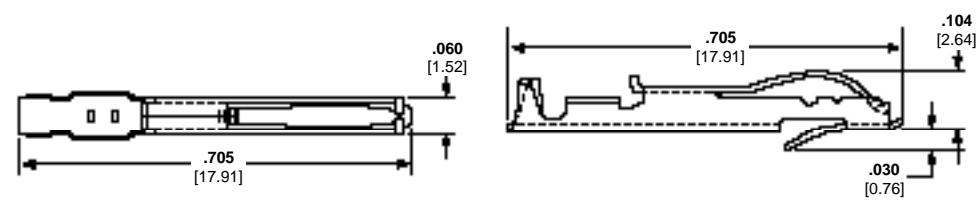
Instruction Sheets

408-7527, 408-7529, 408-7531, 408-7551, 408-7556, 408-7583

Note: Only loose piece contacts manufactured and supplied by Tyco Electronics are to be used with the hand tools listed on this page. No attempt should be made to produce loose piece parts from a strip since special cutoff tooling is required to assure a properly functioning part.



| Connector Centerline | Wire Size Range AWG/mm ² | Insulation Dia. Range | Contact Finish (Plating) | Contact Part Numbers | | Applicator for AMP-O-LECTRIC Machine* | Applicator for Stripper/Crimper Machine | Color Code | Hand Tool |
|----------------------|-------------------------------------|------------------------|--------------------------|----------------------|------------|---------------------------------------|---|------------|-----------|
| | | | | Loose Piece | Strip Form | | | | |
| .100 2.54 | 28-24 0.08-0.2 | .035-.055 0.89-1.40 | A | 583616-4 | 583616-2 | 466577-4 | 466912-1 | Orange | 90268-1 |
| | | | B | 583616-5 | 583616-3 | | | | |
| | | | C | 583616-9 | 583616-8 | | | | |
| | | | D | 1-583616-1 | 1-583616-0 | | | | |
| .125 3.18 | 24-20 0.2-0.6 | .048-.060 1.22-1.52 | A | 583853-5 | 583853-3 | 466622-2 | 466919-1 | Green | 91535-1 |
| | | | B | 583853-4 | 583853-2 | | | | |
| | | | C | 583853-9 | 583853-8 | | | | |
| | | | D | 1-583853-1 | 1-583853-0 | | | | |
| .156 3.96 | 28-24 0.08-0.2 | .035-.055 0.89-1.40 | A | 583616-4 | 583616-2 | 466577-4 | 466912-1 | Orange | 90268-1 |
| | | | B | 583616-5 | 583616-3 | | | | |
| | | | C | 583616-9 | 583616-8 | | | | |
| | | | D | 1-583616-1 | 1-583616-0 | | | | |
| .156 3.96 | 24-20 0.2-0.6 | .048-.060 1.22-1.52 | A | 583853-5 | 583853-3 | 466622-2 | 466919-1 | Green | 91535-1 |
| | | | B | 583853-4 | 583853-2 | | | | |
| | | | C | 583853-9 | 583853-8 | | | | |
| | | | D | 1-583853-1 | 1-583853-0 | | | | |
| .156 3.96 | 22-18 0.3-0.9 | .049-.095 1.24-2.41 | A | 583649-6 | 583649-3 | 466713-2 | 466928-1 | Violet | 90264-1 |
| | | | B | 583649-5 | 583649-2 | | | | |
| | | | C | 583649-7 | 583649-4 | | | | |
| | | | — | — | — | | | | |
| .156 3.96 | 20-16 0.6-1.4 | .073-.090 1.85-2.29 | A | 583875-6 | 583875-5 | 687775-2 | — | White | 90285-1 |
| | | | B | 583875-3 | 583875-2 | | | | |
| | | | C | 583875-3 | 583875-2 | | | | |
| | | | — | — | — | | | | |



Crimp, Snap-In Contacts, Non-Bifurcated

Material and Finish:

Phosphor bronze, plated .000030 [0.00076] nickel on entire contact, with the addition of one of the following platings:

Plating A—.000030 [0.00076] gold in mating area

Plating B—.000015 [0.00038] gold in mating area

Note: Tin plating is available upon request.

Related Product Data:

(See above)

| Connector Centerline | Wire Size Range AWG/mm ² | Insulation Dia. Range | Contact Finish (Plating) | Contact Part Numbers | | Applicator for AMP-O-LECTRIC Machine* | Applicator for Stripper/Crimper Machine | Color Code | Hand Tool |
|----------------------|-------------------------------------|------------------------|--------------------------|----------------------|------------|---------------------------------------|---|------------|-----------|
| | | | | Loose Piece | Strip Form | | | | |
| .100 2.54 | 28-24 0.08-0.2 | .035-.055 0.89-1.40 | A | 531476-5 | 531476-4 | 466577-4 | 466912-1 | Orange | 90268-1 |
| | | | B | 531477-5 | 531477-4 | | | | |
| | | | A | 531477-4 | 531477-2 | | | | |
| | | | — | — | — | | | | |
| .125 3.18 | 24-20 0.2-0.6 | .048-.060 1.22-1.52 | A | 531477-5 | 531477-4 | 466622-2 | 466919-1 | Green | 91535-1 |
| | | | B | 531477-3 | 531477-2 | | | | |
| | | | — | — | — | | | | |
| | | | — | — | — | | | | |
| .156 3.96 | 28-24 0.08-0.2 | .035-.055 0.89-1.40 | A | 531476-5 | 531476-4 | 466577-4 | 466912-1 | Orange | 90268-1 |
| | | | B | 531477-5 | 531477-4 | | | | |
| | | | A | 531477-5 | 531477-4 | | | | |
| | | | B | 531477-3 | 531477-2 | | | | |
| .156 3.96 | 24-20 0.2-0.6 | .048-.060 1.22-1.52 | A | 531477-5 | 531477-4 | 466622-2 | 466919-1 | Green | 91535-1 |
| | | | B | 531477-3 | 531477-2 | | | | |
| | | | — | — | — | | | | |
| | | | — | — | — | | | | |

*Applicators are for AMP-O-LECTRIC Model "K" machines. Consult Tyco Electronics for applicators for other bench machines and lead-making machines.

Snap-In Solder Eyelet Contacts

Material and Finish:

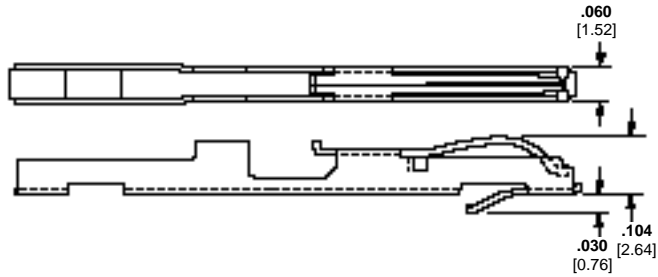
Phosphor bronze, plated .000030 [0.00076] nickel on entire contact, with the addition of one of the following platings:

Plating A—.000030 [0.00076] gold in mating area

Plating B—.000015 [0.00038] gold in mating area

Solder eyelet portion is tin plated.

Note: Tin plating of entire contact is available upon request.



Related Product Data:

Performance Specifications—page 154

Connector Housings—pages 157, 159, 161

| Connector Centerline | Contact Finish (Plating) | Part Numbers |
|----------------------|--------------------------|----------------------|
| .100 2.54 | A B | 583854-3 583854-5 |
| .125 3.18 | A | 530245-3 |

Technical Documents

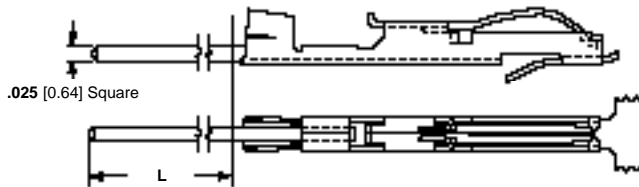
(pages 186, 187):

Product Specification
108-9031

Application Specification
114-9004

Instruction Sheets 408-7527,
408-7529

Snap-In Wrap Post Contacts



Material and Finish:

Contact—Phosphor bronze, plated .000015 [0.00038] gold in mating area, with entire contact underplated .000030 [0.00076] nickel

Post—Phosphor bronze, tin-plated

Note: Tin plated contacts are available upon request.

| Connector Centerline Spacing | Dimension L | Part Numbers |
|------------------------------|---------------|--------------|
| .100 2.54 | .451 11.46 | 583879-1 |
| | .535 13.59 | 583879-4 |
| .125 3.18 | .525 13.34 | 583884-1 |
| | .525 13.34 | 583884-1 |

Related Product Data:

Performance Specifications—page 154

Connector Housings—pages 157, 159, 161

Technical Documents:

(pages 186, 187):

Product Specification
108-9031

Application Specification
114-9004

Instruction Sheets 408-7527,
408-7529

Hand



Contact Extraction Tool



Crimp Snap Twin Leaf Connectors, .100 [2.54] Centerline

Housings

Material: Black glass-filled polyester, 94V-0 rated

Related Product Data:

Performance Specifications—page 154

Contacts—pages 155, 156

Accessories—page 162*

PCB Edge Pattern—page 163

Technical Documents:

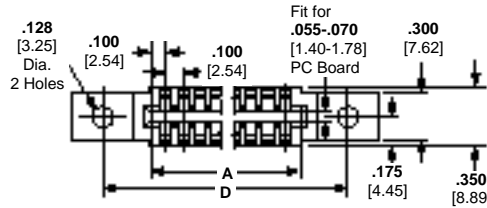
(pages 186, 187):

Product Specification 108-9031

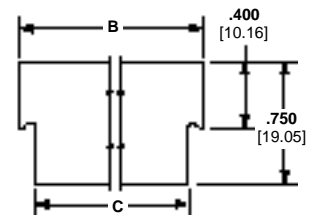
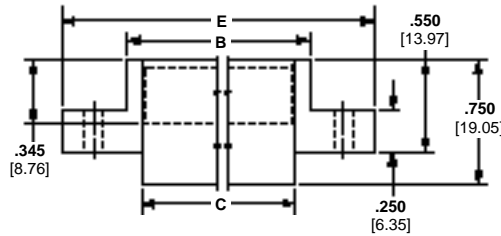
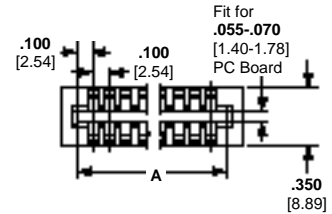
Application Specification 114-9004

Instruction Sheet 408-7527

With Mounting Ears



Without Mounting Ears



| No. of Dual Positions | Dimensions | | | | | Part Numbers | |
|-----------------------|------------|--------|--------|--------|--------|-----------------------|--------------------|
| | A | B | C | D | E | Without Mounting Ears | With Mounting Ears |
| 6 | .700 | .900 | .720 | — | — | 2-583717-1 | — |
| | 17.78 | 22.86 | 18.29 | 1.175 | 1.430 | — | 583861-5 |
| 7 | .800 | 1.000 | .820 | — | — | 2-583717-3 | — |
| | 20.32 | 25.4 | 20.83 | — | — | — | — |
| 8 | .900 | 1.100 | .920 | — | — | 3-583717-9 | — |
| | 22.86 | 27.94 | 23.36 | — | — | — | — |
| 10 | 1.100 | 1.300 | 1.120 | 1.700 | 2.100 | 583717-1 | 583718-1 |
| | 27.94 | 33.02 | 28.49 | 43.18 | 53.34 | — | 583861-7 |
| 13 | 1.200 | 1.400 | 1.600 | — | — | 3-583717-3 | — |
| | 30.48 | 35.56 | 40.64 | — | — | — | — |
| 14 | 1.500 | 1.700 | 1.520 | — | — | 2-583717-7 | — |
| | 38.1 | 43.16 | 38.61 | — | — | — | — |
| 15 | 1.600 | 1.800 | 1.620 | 2.200 | 2.600 | 583717-3 | 583718-3 |
| | 40.64 | 45.72 | 41.15 | 55.88 | 66.04 | — | 583861-9 |
| 17 | 1.800 | 2.000 | 1.820 | 2.400 | 2.800 | 583717-5 | 1-583861-1 |
| | 45.72 | 50.8 | 46.30 | 60.96 | 71.12 | — | — |
| 18 | 1.900 | 2.100 | 1.920 | — | — | 583717-7 | — |
| | 48.26 | 53.34 | 48.76 | — | — | — | — |
| 20 | 2.100 | 2.300 | 2.120 | — | — | 3-583717-1 | — |
| | 53.34 | 58.42 | 53.84 | — | — | — | — |
| 22 | 2.300 | 2.500 | 2.320 | 2.900 | 3.300 | 583717-9 | 583718-9 |
| | 58.42 | 63.50 | 58.93 | 73.66 | 83.82 | — | — |
| 25 | 2.600 | 2.800 | 2.620 | 3.200 | 3.600 | 1-583717-1 | 1-583718-1 |
| | 66.04 | 71.12 | 66.55 | 81.28 | 91.44 | — | — |
| 30 | 3.100 | 3.300 | 3.120 | 3.700 | 4.100 | 1-583717-3 | 1-583718-3 |
| | 78.74 | 83.82 | 79.25 | 93.98 | 104.14 | — | 583861-1 |
| 32 | 3.300 | 3.500 | 3.320 | 3.900 | 4.300 | — | 2-583718-7 |
| | 83.82 | 88.90 | 84.33 | 99.06 | 109.22 | — | — |
| 36 | 3.700 | 3.900 | 3.720 | 4.175 | 4.430 | — | 2-583861-5 |
| | 93.98 | 93.06 | 94.49 | 106.04 | 112.52 | — | — |
| 40 | 4.100 | 4.300 | 4.120 | 4.700 | 5.100 | — | 1-583718-5 |
| | 104.14 | 109.22 | 104.65 | 119.38 | 129.54 | — | 583861-3 |
| 50 | 5.100 | 5.300 | 5.120 | 5.700 | 6.100 | 1-583717-9 | 1-583718-7 |
| | 129.54 | 134.62 | 130.05 | 144.78 | 154.94 | — | 2-583861-1 |

Note: Other connector sizes can be made available, consult Tyco Electronics.

Crimp Snap Twin Leaf Connectors, .100 [2.54] Centerline (Continued)

Housings Preloaded with Right-Angle Posts

Material and Finish:

Housing—Black glass-filled polyester, 94V-0 rated

Contacts—Phosphor bronze, plated .000015 [0.00038] gold in mating area, with entire contact underplated .000030 [0.00076] nickel

Posts—Phosphor bronze, tin plated

Related Product Data:

Performance Specifications—page 154

Accessories—page 162*

PCB Edge Pattern and Hole Layout—page 163

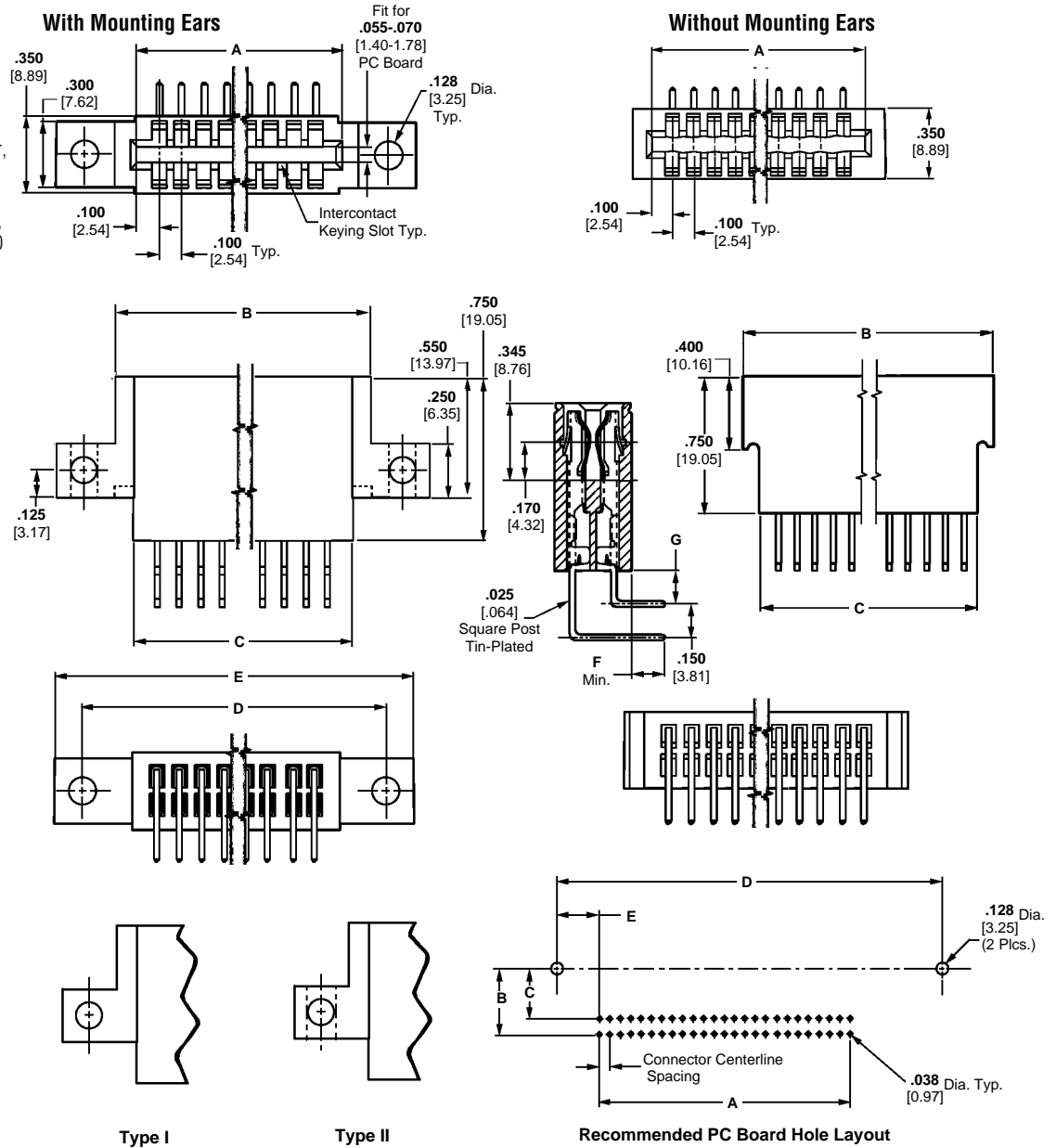
Technical Documents:

(pages 186, 187):

Product Specification 108-9031

Application Specification 114-9004

Instruction Sheet 408-7527



| No. of Dual Pos. | Dimensions | | | | | | | Posted Assembly Part Numbers | | |
|------------------|-----------------|-----------------|-----------------|-----------------|-----------------|--------------|--------------|-------------------------------------|--|----------|
| | A | B | C | D | E | F | G | Right-Angle Post With Mounting Ears | Right-Angle Post Without Mounting Ears | |
| | Type I | Type II | | | | | | | | |
| 10 | 1.100 27.94 | 1.300 33.02 | 1.120 28.49 | 1.575 40.01 | 1.830 46.48 | — | — | — | 583900-5 | — |
| 17 | 1.800 45.72 | 2.000 50.80 | 1.820 46.23 | — | — | .090 2.29 | .150 3.81 | — | — | 530218-5 |
| 22 | 2.300 58.42 | 2.500 63.50 | 2.320 58.93 | 2.900 73.66 | 3.300 83.82 | .090 2.29 | .150 3.81 | — | 1-583900-3 | 530218-9 |
| 25 | 2.600 66.04 | 2.800 71.12 | 2.620 66.55 | 3.200 81.28 | 3.600 91.44 | .090 2.29 | .150 3.81 | 583900-1 | — | 530218-1 |
| 28 | 2.900 73.66 | 3.100 78.74 | 2.920 74.16 | 3.375 85.72 | 3.630 92.20 | .090 2.29 | .150 3.81 | — | 583900-6 | — |
| 30 | 3.100 78.74 | 3.200 81.28 | 3.120 79.25 | 3.700 93.98 | 4.100 104.14 | .090 2.29 | .150 3.81 | — | 583900-4 | 530218-6 |
| 50 | 5.100 129.54 | 5.300 134.62 | 5.120 130.05 | 5.575 141.61 | 5.830 148.08 | — | — | 583900-3 | — | — |

Note: Other connector sizes can be made available, consult Tyco Electronics.

Crimp Snap Twin Leaf Connectors, .125 [3.18] Centerline

Housings

Material: Black glass-filled polyester
94V-0 rated

Related Product Data:

Performance Specifications—
page 154

Contacts—pages 155, 156

Accessories—page 162

PCB Edge Pattern—page 163

Technical Documents:

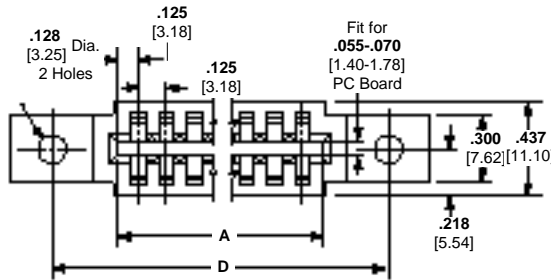
(pages 186, 187):

Product Specification
108-9031

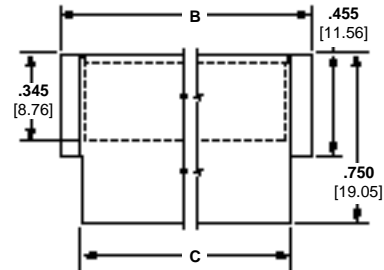
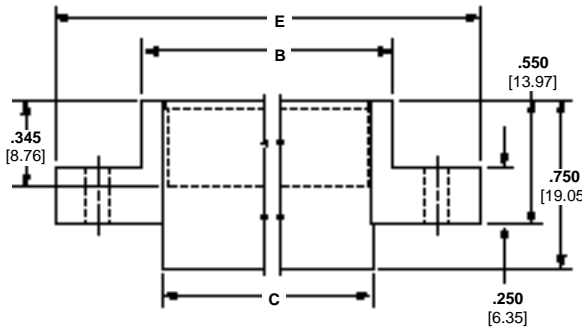
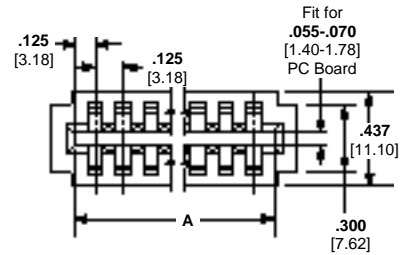
Application Specification
114-9004

Instruction Sheet 408-7527

With Mounting Ears



Without Mounting Ears



| No. of Dual Positions | Dimensions | | | | | Part Numbers | |
|-----------------------|-----------------|-----------------|-----------------|-----------------|-----------------|-----------------------|--------------------|
| | A | B | C | D | E | Without Mounting Ears | With Mounting Ears |
| 6 | .875 22.23 | 1.035 26.29 | .845 21.46 | 1.295 32.89 | 1.555 39.50 | 583873-1 | 583864-1 |
| 10 | 1.375 34.93 | 1.535 38.99 | 1.345 34.16 | 1.795 45.59 | 2.055 52.20 | — | 583864-3 |
| 15 | 2.000 50.80 | 2.160 54.86 | 1.970 50.04 | 2.420 61.47 | 2.680 68.07 | 583873-5 | — |
| 22 | 2.875 73.03 | 3.035 77.09 | 2.845 72.26 | 3.295 83.69 | 3.555 90.30 | 583873-9 | 583864-9 |
| 25 | 3.250 82.55 | 3.410 86.61 | 3.220 81.79 | 3.670 93.22 | 3.930 99.82 | — | — |
| 28 | 3.625 92.08 | 3.785 96.14 | 3.595 91.31 | 4.045 102.74 | 4.305 109.35 | — | 1-583864-3 |
| 30 | 3.875 98.43 | 4.035 102.49 | 3.845 97.66 | 4.295 109.09 | 4.555 115.70 | — | 2-583864-1 |
| 40 | 5.125 130.17 | 5.285 134.23 | 5.095 129.41 | 5.545 140.84 | 5.805 147.44 | — | 1-583864-7 |
| 44 | 5.625 142.88 | 5.785 146.94 | 5.595 142.11 | 6.045 153.54 | 6.305 160.15 | 1-583873-9 | — |

Note: Other connector sizes can be made available, consult Tyco Electronics.

Crimp Snap Twin Leaf Connectors, .125 [3.18] Centerline (Continued)

Housings Preloaded with Right-Angle Posts

Material and Finish:

Housing—Black glass-filled polyester, 94V-0 rated

Contacts—Phosphor bronze, plated .000030 [0.00076] gold in mating area, with entire contact underplated .000030 [0.00076] nickel

Posts—Phosphor bronze, tin-plated

Related Product Data:

Performance Specifications—page 154

Accessories—page 162

PCB Edge Pattern and Hole Layout—page 163

Technical Documents:

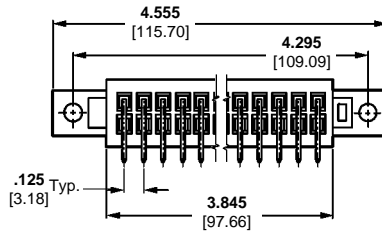
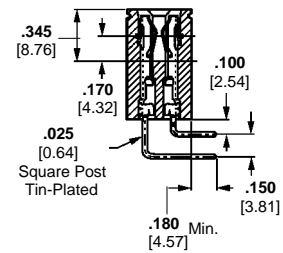
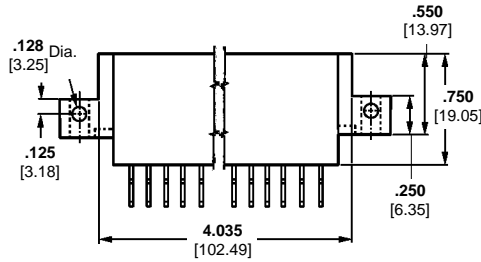
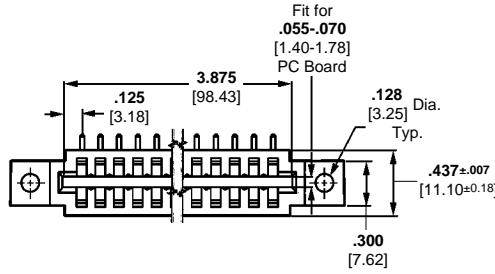
(pages 186, 187):

Product Specification 108-9031

Application Specification 114-9004

Instruction Sheet 408-7527

With Mounting Ears



**30 Dual Positions,
Part No. 530238-8**

Crimp Snap Twin Leaf Connectors, .156 [3.96] Centerline

Housings

With Mounting Ears

Material: Black glass-filled polyester, 94V-0 rated

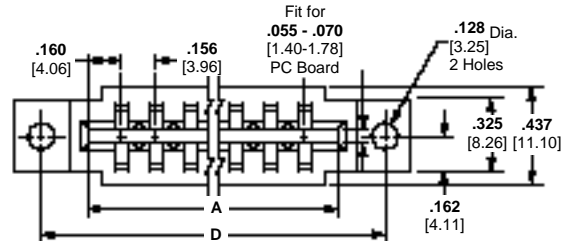
Related Product Data:

Performance Specifications—page 154

Contacts—pages 155, 156

Accessories—page 162

PCB Edge Pattern—page 163



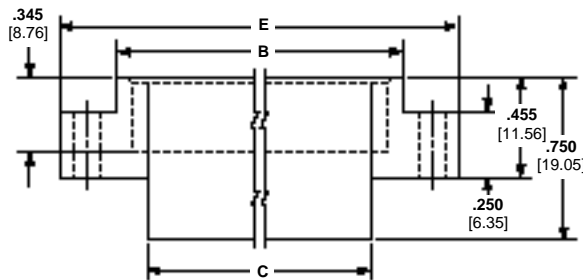
Technical Documents:

(pages 186, 187):

Product Specification
108-9031

Application Specification
114-9004

Instruction Sheet 408-7527



| No. of Dual Positions | Dimensions | | | | | Part Numbers Mounting Ears |
|-----------------------|-----------------|-----------------|-----------------|-----------------|-----------------|-------------------------------|
| | A | B | C | D | E | |
| 6 | 1.100 27.94 | 1.264 32.11 | .976 24.79 | 1.535 38.99 | 1.785 45.34 | 1-583859-3 |
| 8 | 1.412 35.86 | 1.576 40.03 | 1.288 32.72 | 1.847 46.91 | 2.097 53.26 | 2-583859-1 |
| 10 | 1.724 43.79 | 1.888 47.96 | 1.600 40.64 | 2.159 54.84 | 2.409 61.19 | 583859-9 |
| 12 | 2.036 51.71 | 2.200 55.88 | 1.912 48.56 | 2.471 62.76 | 2.721 69.11 | 1-583859-5 |
| 15 | 2.504 63.60 | 2.668 67.77 | 2.380 60.45 | 2.939 74.65 | 3.189 81.00 | 583859-7 |
| 18 | 2.972 75.49 | 3.136 79.55 | 2.848 72.34 | 3.407 86.54 | 3.657 92.89 | 583859-5 |
| 22 | 3.596 91.34 | 3.760 95.50 | 3.472 88.19 | 4.031 102.39 | 4.281 108.74 | 583859-3 |
| 28 | 4.532 115.11 | 4.696 119.28 | 4.408 111.96 | 4.967 126.16 | 5.217 132.51 | 583859-1 |
| 36 | 5.780 146.81 | 5.944 150.96 | 5.656 143.66 | 6.215 157.86 | 6.465 164.21 | 2-583859-3 |

Note: Other connector sizes can be made available, consult Tyco Electronics.

Accessories for Crimp Snap Twin Leaf Connectors

Dummy Contacts

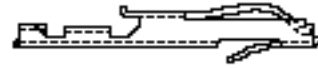
Material: Phosphor bronze

Related Product Data:

The dummy contact is used in sparsely loaded housings to balance contact pressure. For specific recommendations, consult Tyco Electronics.

Technical Documents

(pages 186, 187):
Instruction Sheet 408-7527



Tin Plated — **Part No. 583857-5**
.000030 [0.00076] Nickel Plated — **Part No. 583857-6**
Gold Flash-Over-Nickel Plate — **Part No. 583857-7**

Retaining Spring

Material: Stainless steel

Related Product Data:

Retaining springs are used for single sided PC board applications. Use one spring per 6 empty cavities.

Technical Documents

(pages 186, 187):
Instruction Sheet 408-7527

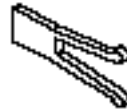


Unplated — **Part No. 583691-2**
Gold Flash-Over-Nickel Plate — **Part No. 583691-3**

Keying Plugs

Technical Documents

(pages 186, 187):
Instruction Sheet 408-7527

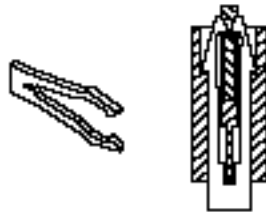


On-Contact Plug
Natural Nylon — **Part No. 583764-1**

Intercontact Plug
Natural Nylon — **Part No. 583274-1**
Glass-Filled Polyester — **Part No. 583274-3**

Locking Key

Material: Nylon



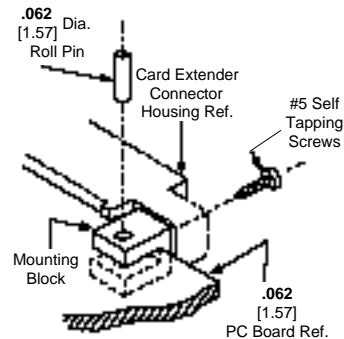
On-Contact Clip
Part No. 530213-1

Mounting Block

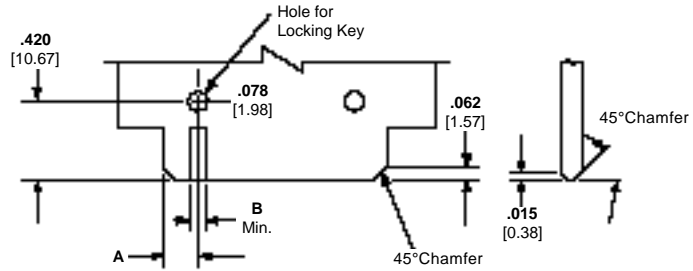
Material: Natural color nylon

Kit Part No. 531250-4

Each kit includes 2 mounting blocks
2 self tapping screws,
#5 x .437 [11.10]
2 roll pins
.075 x .250 [1.57 x 6.35]

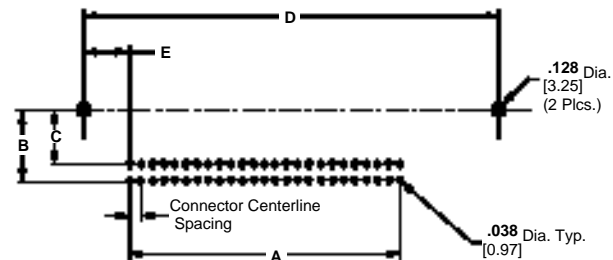


**Recommended PC Board
Edge Pattern**



| Connector Centerline Spacing | Dimensions | |
|------------------------------|------------|------|
| | A | B |
| .100 | .093 | .052 |
| 2.54 | 2.36 | 1.32 |
| .125 | .118 | .078 |
| 3.18 | 3.00 | 1.98 |
| .156 | .153 | .094 |
| 3.96 | 3.89 | 2.39 |

**Recommended PC Board
Hole Layout**



Connector Centerline Spacing: .100 [2.54]

| No. of Dual Positions | Dimensions | | | | |
|-----------------------|-----------------|---------------|---------------|-----------------|---------------|
| | A | B | C | D | E |
| 10 | .900 22.86 | .625 15.88 | .475 12.07 | 1.575 40.01 | .400 10.16 |
| 17 | 1.600 40.64 | — | — | — | — |
| 20 | 1.900 48.26 | .625 15.88 | .375 9.53 | 2.575 65.41 | .337 8.56 |
| 22 | 2.100 53.34 | .625 15.88 | 4.75 12.07 | 2.900 73.66 | .337 8.56 |
| 25 | 2.400 60.96 | .625 15.88 | .475 12.07 | 3.200 81.28 | .400 10.16 |
| 30 | 2.900 73.66 | — | — | 3.700 93.98 | .400 10.16 |
| 50 | 4.900 124.46 | .525 13.34 | .375 9.53 | 5.575 141.61 | .337 8.56 |

Connector Centerline Spacing: .125 [3.18]

| No. of Dual Positions | Dimensions | | | | |
|-----------------------|----------------|---|---|-----------------|--------------|
| | A | B | C | D | E |
| 30 | 3.625 92.08 | — | — | 4.295 109.09 | .350 8.89 |

AMP-LEAF Connectors

Product Facts

- Contacts on .156 [3.96] centers
- Glass-filled polyester, phenolic or diallyl phthalate housings
- Closed card entry design helps prevent overstressing of contacts
- Gold-over-nickel plated contacts
- Locking lance permits easy contact replacement
- Keying
- Contacts maintain exact pressures on the circuit paths, despite repeated insertions and extractions
- Recognized under the Component Program of Underwriters Laboratories Inc. File No. E28476 
- Certified by Canadian Standards Association**, File No. LR 7189 

**CSA certification pending for certain products, as noted.

Performance Specifications

Contact Current Rating*:

5.0 amperes, max.

Contact Engaging Force:

16 oz. [4.4 N], max.

Contact Separation Force:

2 oz. [0.6 N], min.

Vibration:

MIL-STD-202, Method 201

Operating Temperature:

Contacts -40°C to +85°C

Storage Temperature:

-40°C to +85°C

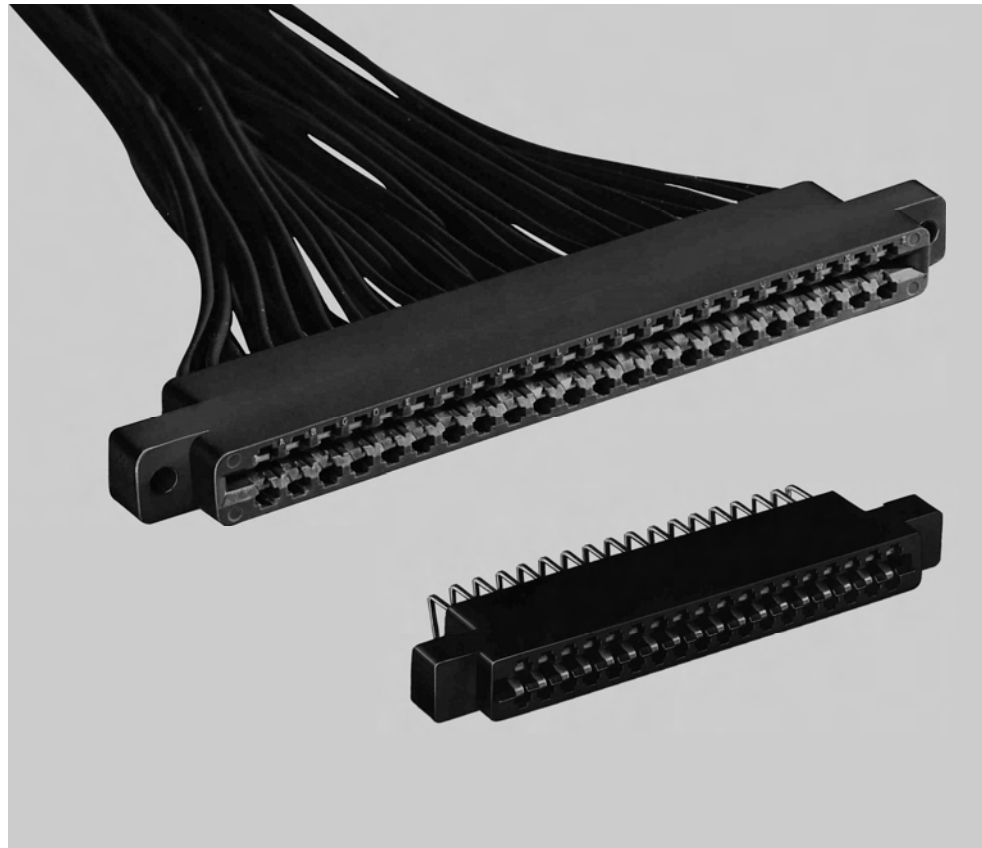
Housings:

Glass-Filled Polyester, -55°C to +105°C

Glass-Filled Phenolic, -65°C to +125°C

Diallyl Phthalate, -65°C to +125°C

*Consult Tyco Electronics engineering when paralleling contacts for power applications.



AMP-LEAF Connectors are available with crimp, snap-in contacts or preloaded with right-angle posted contacts.

The crimp type printed circuit connector is supplied with the housing unloaded—the user buys only enough contacts to satisfy circuit requirements. This feature, when coupled with the Tyco Electronics matched tooling, contributes substantially to lower installed costs.

Right-angle posted connectors are supplied in various sizes, with preloaded contacts on one or both sides.

The solder-type posts are formed 90° from the housing to permit right-angle interfacing between mother and daughter boards.

AMP-LEAF Connectors (Continued)

Crimp, Snap-In Contacts

Material and Finish:

Phosphor bronze, plated as follows:
Plating A—.000100-.000200 [0.00254-0.00508] tin (lubricant must be used)

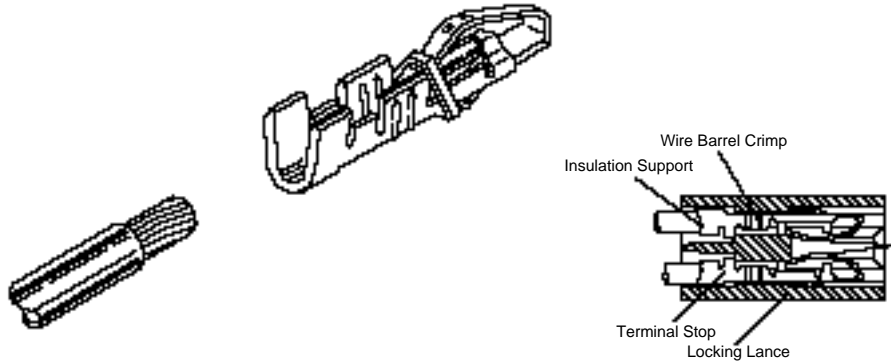
Plating B—.000030 [0.00076] min. gold in mating area, gold flash on remainder of contact, with entire contact underplated .000050 [0.00127] min. nickel

Plating C—.000015 [0.00038] min. gold in mating area, gold flash on remainder of contact, with entire contact underplated .000050 [0.00127] min. nickel

Plating D—.000030 [0.00076] min. gold over .000050 [0.00127] min. nickel in mating area, remainder of contact gold flash over .000015 [0.00038] min. nickel

Plating E—.000030 [0.00076] min. gold in mating area, with entire contact underplated .000050 [0.00127] min. nickel

Plating F—.000015 [0.00038] min. gold in mating area, with entire contact underplated .000050 [0.00127] min. nickel



| Wire Range AWG/mm ² | Insulation Range | | Contact Part Numbers | | Contact Finish | Applicator for AMP-O-LECTRIC Machine* | Hand Tool |
|-----------------------------------|------------------------|------------------------|----------------------|------------|----------------|---------------------------------------|--|
| | Single Wire | Double Wire | Loose Piece | Strip Form | | | |
| 26-22 0.12-0.4 | .050-.064 1.27-1.63 | — | 583990-3 | 583204-2 | B | 466366-2 | 90028-3 |
| | | | — | 343371-1 | D | | |
| 22-18 0.3-0.9 | .055-.080 1.40-2.03 | .120 3.05 Max. | — | 583361-2 | A | 466367-2 | 90017-3 (1 #22-20) 90028-3 (2 #22) 90101-3 (1 #20) |
| | | | 583989-3 | 583361-3 | B | | |
| | | | 583989-4 | 583361-4 | C | | |
| | | | — | 583555-4 | E | | |
| | | | — | 583555-6 | F | | |
| 16 1.25-1.40 | .108 2.74 Max. | .080-.160 2.03-4.06 | 583991-3 | 60151-6 | B | 466368-2 | 90031-8 (2 #18) 90101-3 (2 #20) 90101-3 (1 #16) |

*Applicators are for AMP-O-LECTRIC Model "K" machines. Consult Tyco Electronics for applicators for other bench machines and lead-making machines.

- Notes:** 1. Shorting contacts are available, consult Tyco Electronics.
 2. Contacts and housings to accommodate .093 [2.36] thick PC boards can be made available, consult Tyco Electronics.

Related Product Data:

Performance Specifications—
page 164

Connector Housings—
pages 167-169

Application Tooling—
pages 184, 185

Technical Documents:

- (pages 186, 187):
 Product Specifications
108-9013, 108-9043
 Application Specification
114-9003
 Instruction Sheets
408-6591, 408-7045, 408-7622,
408-7623, 408-7624, 408-7625,
408-7626
 Crimp Inspection Sheet
CI 8050-33

Hand Crimping Tool



Contact Extraction Tool



| Extraction Tool Number | Used with Housings |
|------------------------|--------------------|
| 465195-1 | 480110-2, -5 |
| | 480142-2, -3 |
| | 582140-5 |
| | 582147-5 |
| | 582264-2 |
| | 582500-2 |
| | 582963-2 |
| | 583167-3 |
| | 583280-1 |
| | 583617-1 |
| | 583680-1 |
| | 583685-1 |
| | 583722-1 |
| | 583723-1 |
| | 583724-1 |
| 583725-1 | |
| 583726-1 | |
| 465195-2 | 480133-2 |

Dummy Contact

Material:

Phosphor bronze



- Plain Finish—
Part No. 66084-1
 Tin Finish—
Part No. 66084-2
 Gold Finish—
Part No. 66084-3

Technical Documents:

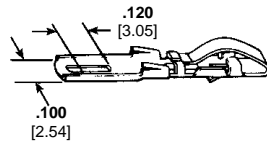
- (pages 186, 187):
 Instruction Sheet 408-7037

AMP-LEAF Connectors (Continued)

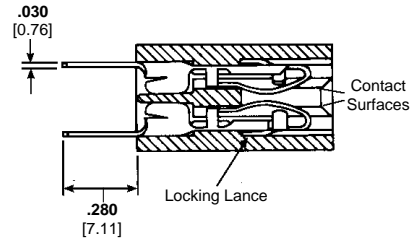
Solder Eyelet Contact

Material and Finish:

Phosphor bronze, plated .000015 [0.00038] min. gold in contact area, gold flash on remainder of contact, with entire contact underplated .000050 [0.00127] min. nickel



Standard Eyelet Type Contact
Part No. 66067-5
(For .055-.070 [1.4-1.78]
Thick PC Boards)

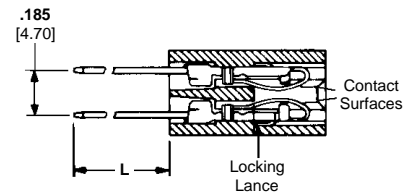


Note: Solder tab will accommodate a maximum of two 16 AWG [1.25-1.4 mm²] solid wires, or two 18 AWG [0.8-0.9 mm²] stranded wires.

Post Type Contacts

Material and Finish:

Phosphor bronze, plated .000015 [0.00038] min. gold in contact area, tin on post, with entire contact underplated .000050 [0.00127] min. nickel



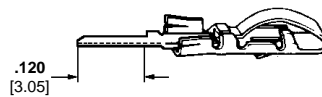
| Post Length L | Loose Piece Contact Part No. (.045 x .045 [1.14 x 1.14] Post) |
|------------------|--|
| .960 24.38 | 1-582355-3 |
| .560 14.22 | 1-582355-5 |

Note: Post type contacts are for .055-.070 [1.4-1.78] thick PC boards.

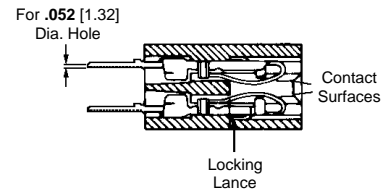
Solder Dip Contacts

Material and Finish:

Phosphor bronze, plated .000015 [0.00038] min. gold in contact area or, plated .000030 [0.00076] min. gold in contact area, tin on post, with entire contact underplated .000050 [0.00127] min. nickel



Solder Dip Contact
Part No. 583294-2 (.000015)
Part No. 583294-1 (.000030)
(For .062 [1.57]
Thick PC Board)



AMP-LEAF Connectors, .156 [3.96] Centerline

Glass-Filled Polyester Housings

Material: Glass-filled polyester

Related Product Data:

Card Guide Assembly—page 171

PC Board Thickness—.055-.070 [1.40-1.78]

Performance Specifications—page 164

Contacts—pages 165, 166

Accessories—page 171

PC Board Layout—page 172

Technical Documents:

(pages 186, 187):

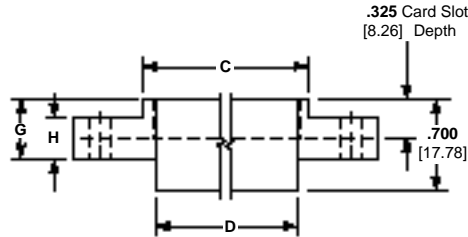
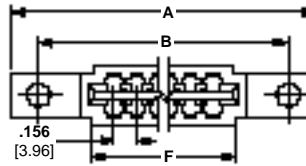
Product Specifications

108-9013, 108-9043

Application Specification

114-9003

Instruction Sheet 408-7037



| No. of Dual Positions | Dimensions | | | | | | | | | | Housing Part Numbers |
|-----------------------|-----------------|-----------------|-----------------|-----------------|--------------|-----------------|---------------|--------------|--------------|---------------|----------------------|
| | A | B | C | D | E | F | G | H | J | K | |
| 6 | 1.785 45.34 | 1.535 38.99 | 1.264 32.11 | .976 24.79 | .125 3.18 | 1.100 27.94 | .456 11.58 | .250 6.35 | .300 7.62 | .350 8.89 | 583722-1 |
| 10 | 2.409 61.19 | 2.159 54.84 | 1.888 47.96 | 1.600 40.64 | .125 3.18 | 1.724 43.79 | .456 11.58 | .250 6.35 | .300 7.62 | .350 8.89 | 583723-1 |
| 12 | 2.721 69.11 | 2.471 62.76 | 2.200 55.88 | 1.912 48.56 | .125 3.18 | 2.036 51.71 | .456 11.58 | .250 6.35 | .300 7.62 | .350 8.89 | 583724-1* |
| 15 | 3.189 81.00 | 2.939 74.65 | 2.668 67.77 | 2.380 60.45 | .128 3.25 | 2.504 63.60 | .456 11.58 | .250 6.35 | .300 7.62 | .350 8.89 | 583680-1 |
| 18 | 3.657 92.89 | 3.407 86.54 | 3.136 79.65 | 2.848 72.34 | .125 3.18 | 2.972 75.49 | .456 11.58 | .250 6.35 | .300 7.62 | .350 8.89 | 583725-1 |
| 18 | 3.657 92.89 | 3.407 86.54 | 3.136 79.65 | 2.848 72.34 | .156 3.96 | 2.972 75.49 | .456 11.58 | .250 6.35 | .300 7.62 | .350 8.89 | 583725-3 |
| 22 | 4.281 108.74 | 4.031 102.39 | 3.760 95.50 | 3.472 88.19 | .125 3.18 | 3.596 91.34 | .456 11.58 | .250 6.35 | .300 7.62 | .350 8.89 | 583617-1 |
| 22 | 4.281 108.74 | 4.031 102.39 | 3.760 95.50 | 3.472 88.19 | .156 3.96 | 3.596 91.34 | .456 11.58 | .250 6.35 | .300 7.62 | .350 8.89 | 583617-3 |
| 25 | 4.749 120.62 | 4.499 114.27 | 4.228 107.39 | 3.940 100.01 | .125 3.18 | 4.064 103.23 | .456 11.58 | .250 6.35 | .300 7.62 | .350 8.89 | 583726-1 |
| 30 | 5.529 140.44 | 5.279 134.09 | 5.008 127.20 | 4.720 119.89 | .125 3.18 | 4.844 123.04 | .456 11.58 | .250 6.35 | .300 7.62 | .350 8.89 | 583685-1 |
| 36 | 7.015 178.18 | 6.578 167.08 | 5.942 150.92 | 5.722 145.33 | .156 3.96 | 5.782 146.86 | .455 11.55 | .290 7.36 | .325 8.25 | .437 11.10 | 583552-1 |

*CSA certification pending.

Note: Other connector sizes can be made available, consult Tyco Electronics.

Glass-Filled Phenolic Housings

Material: Glass-filled phenolic per MIL-M-14F

Related Product Data:

Card Guide Assembly—page 171

Performance Specifications—page 164

Contacts—pages 165, 166

Accessories—page 171

PC Board Layout—page 172

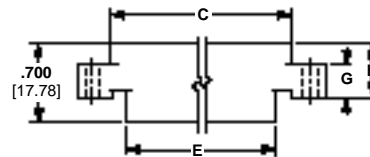
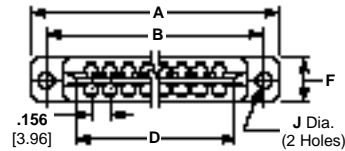
Technical Documents:

(pages 186, 187):

Product Specifications
108-9013, 108-9043

Application Specification
114-9003

Instruction Sheet 408-7037



| No. of Dual Positions | Dimensions | | | | | | | | | | Board Thickness | Housing Part Numbers |
|-----------------------|------------|--------|--------|--------|--------|-------|------|-------|------|-----------|-----------------------|----------------------|
| | A | B | C | D | E | F | G | H | J | | | |
| 8 | 1.982 | 1.767 | 1.550 | 1.410 | 1.288 | .340 | .250 | .458 | .125 | .055-.070 | 582140-5 | |
| | 50.34 | 44.88 | 39.37 | 35.81 | 32.72 | 8.64 | 6.35 | 11.63 | 3.18 | 1.40-1.78 | | |
| 10 | 2.407 | 2.157 | 1.866 | 1.722 | 1.598 | .360 | .250 | .456 | .128 | .055-.070 | 582963-2* | |
| | 61.14 | 54.79 | 47.90 | 43.74 | 40.59 | 9.14 | 6.35 | 11.58 | 3.25 | 1.40-1.78 | | |
| 10 | — | — | 1.886 | 1.722 | 1.598 | .360 | — | — | — | .055-.070 | 583280-1 ¹ | |
| | | | 47.90 | 43.74 | 40.59 | 9.14 | | | | 1.40-1.78 | | |
| 15 | 3.182 | 2.854 | 2.621 | 2.506 | 2.376 | .350 | .250 | .466 | .187 | .055-.070 | 480110-5 | |
| | 80.82 | 72.49 | 66.57 | 63.65 | 60.35 | 8.89 | 6.35 | 11.84 | 4.75 | 1.40-1.78 | | |
| 15 | 3.182 | 2.854 | 2.621 | 2.506 | 2.376 | .350 | .250 | .466 | .125 | .055-.070 | 1-582147-5* | |
| | 80.82 | 72.49 | 66.57 | 63.65 | 60.35 | 8.89 | 6.35 | 11.84 | 3.18 | 1.40-1.78 | | |
| 15 | 3.182 | 2.933 | 2.621 | 2.506 | 2.376 | .350 | .250 | .466 | .128 | .055-.070 | 582500-5 | |
| | 80.82 | 74.49 | 66.57 | 63.65 | 60.35 | 8.89 | 6.35 | 11.84 | 3.25 | 1.40-1.78 | | |
| 18 | 3.650 | 3.400 | 3.088 | 2.948 | 2.843 | .375 | .155 | .406 | .156 | .055-.070 | 480133-5 | |
| | 92.71 | 86.36 | 78.43 | 74.87 | 72.21 | 9.52 | 3.93 | 10.31 | 3.96 | 1.40-1.78 | | |
| 22 | 4.274 | 4.025 | 3.754 | 3.591 | 3.466 | .350 | .250 | .456 | .125 | .055-.070 | 480142-3 | |
| | 108.56 | 102.24 | 95.35 | 91.21 | 88.04 | 8.89 | 6.35 | 11.58 | 3.18 | 1.40-1.78 | | |
| 25 | 4.741 | 4.493 | 4.221 | 4.058 | 3.933 | .350 | .250 | .456 | .125 | .055-.070 | 583167-3* | |
| | 120.42 | 114.12 | 107.21 | 103.07 | 99.90 | 8.89 | 6.35 | 11.58 | 3.18 | 1.40-1.78 | | |
| 32 | 6.365 | 5.928 | 5.292 | 5.132 | 5.072 | .485 | .290 | .455 | .187 | .084-.104 | 582264-2,2,3 | |
| | 161.67 | 150.57 | 134.42 | 130.35 | 128.83 | 12.32 | 7.37 | 11.56 | 4.75 | 2.13-2.64 | | |

*CSA certification pending.

¹Housing without mounting ears.

²Housing does not accommodate intercontact keying plug.

³For .086 to .104 [2.18 to 2.64] thick PC boards (special contacts required).

Note: Other connector sizes can be made available, consult Tyco Electronics.

Diallyl Phthalate Housings

Material: Diallyl phthalate per MIL-M-14F

Related Product Data:

Card Guide Assembly—page 171

Performance Specifications—page 164

Contacts—pages 165, 166

Accessories—page 171

PC Board Layout—page 172

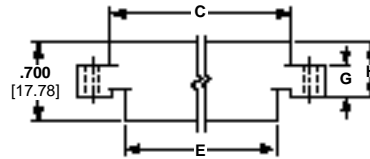
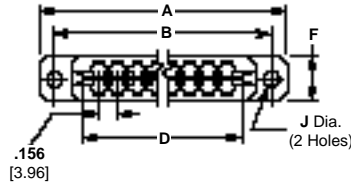
Technical Documents:

(pages 186, 187):

Product Specifications
108-9013, 108-9043

Application Specification
114-9003

Instruction Sheet 408-7037



Single Slot Housing

| No. of Dual Positions | Dimensions | | | | | | | | | Board Thickness | Housing Part Numbers |
|-----------------------|------------|--------|-------|-------|-------|------|------|-------|------|-----------------|----------------------|
| | A | B | C | D | E | F | G | H | J | | |
| 15 | 3.187 | 2.859 | 2.625 | 2.510 | 2.380 | .350 | .250 | .466 | .187 | .055-.070 | 480110-2 |
| | 80.95 | 72.62 | 66.68 | 63.75 | 60.45 | 8.89 | 6.35 | 11.84 | 4.15 | | |
| 15 | 3.187 | 2.938 | 2.625 | 2.510 | 2.380 | .350 | .250 | .466 | .128 | .055-.070 | 582500-2 |
| | 80.95 | 74.63 | 66.68 | 63.75 | 60.45 | 8.89 | 6.35 | 11.84 | 3.25 | | |
| 18 | 3.656 | 3.406 | 3.093 | 2.953 | 2.848 | .375 | .155 | .406 | .156 | .055-.070 | 480133-2 |
| | 92.86 | 86.51 | 78.56 | 75.01 | 72.34 | 9.53 | 3.94 | 10.31 | 3.96 | | |
| 22 | 4.281 | 4.031 | 3.760 | 3.596 | 3.472 | .350 | .250 | .456 | .125 | .055-.070 | 480142-2 |
| | 108.74 | 102.39 | 95.90 | 91.34 | 88.19 | 8.89 | 6.35 | 11.58 | 3.18 | | |

Note: Other connector sizes can be made available, consult Tyco Electronics.

AMP-LEAF Connectors, .156 [3.96] Centerline (Continued)

Housings Preloaded with Right-Angle Post Contacts

Material and Finish:

Housing—See chart below

Contacts—Phosphor bronze, plated .000015 [0.00038] min. gold in mating area, with entire contact underplated .000050 [0.00127] min. nickel

Post—Phosphor bronze, tin plated

Retaining Spring—Stainless steel

Related Product Data:

Card Guide Assembly—page 171

Performance Specifications—page 164

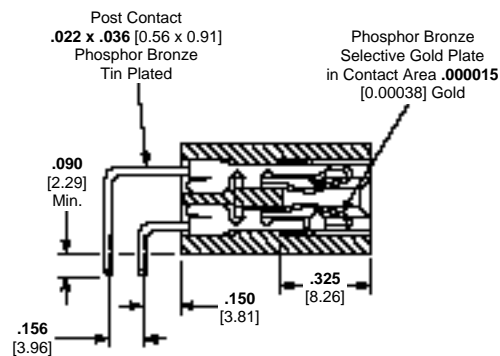
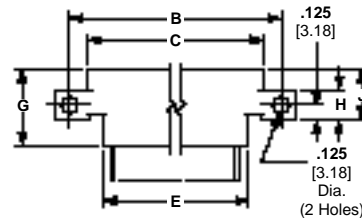
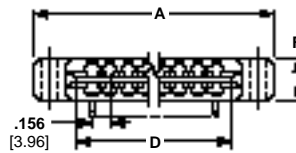
Accessories—page 171

PC Board Layout—page 172

Technical Documents:

(pages 186, 187):

Product Specification
108-9013



| No. of Dual Positions | Dimensions | | | | | | | | | Part Numbers | Housing Material |
|-----------------------|-----------------|-----------------|-----------------|-----------------|-----------------|--------------|---------------|--------------|---------------|--------------|------------------------|
| | A | B | C | D | E | F | G | H | J | | |
| 10 | 2.407 61.14 | 2.157 54.79 | 1.886 47.9 | 1.722 43.74 | 1.598 40.59 | .360 9.14 | .700 17.78 | .250 6.35 | .456 11.58 | 583599-1* | |
| 15 | 3.182 80.82 | 2.933 74.5 | 2.621 66.57 | 2.506 63.65 | 2.376 60.35 | .350 8.89 | .700 17.78 | .250 6.35 | .466 11.84 | 583545-1* | Glass-Filled Phenolic |
| 18 | 3.650 92.71 | 3.400 86.36 | 3.088 78.44 | 2.948 74.88 | 2.843 72.21 | .375 9.53 | .700 17.78 | .250 6.35 | .406 10.31 | 583544-1* | |
| | 3.657 92.89 | 3.457 86.54 | 3.136 79.65 | 2.972 75.49 | 2.848 72.34 | .350 8.89 | .700 17.78 | .250 6.35 | .456 11.58 | 530851-1 | Glass-Filled Polyester |
| 22 | 4.274 108.56 | 4.025 102.24 | 3.754 95.35 | 3.591 91.21 | 3.466 88.04 | .350 8.89 | .700 17.78 | .250 6.35 | .456 11.58 | 583458-2* | Glass-Filled Phenolic |
| | 4.281 108.74 | 4.031 102.39 | 3.760 95.50 | 3.596 91.34 | 3.472 88.19 | .350 8.89 | .700 17.78 | .250 6.35 | .456 11.58 | 583975-1* | Glass-Filled Polyester |
| 28 | 5.270 133.86 | 4.961 126.01 | 4.680 118.87 | 4.527 114.99 | 4.402 111.81 | .350 8.89 | .700 17.78 | .250 6.35 | .456 11.58 | 530061-1* | Glass-Filled Phenolic |

*CSA certification pending.

- Notes:** 1. Other connector sizes can be made available, consult Tyco Electronics.
2. Finished hole size is .048-.054 [1.22-1.37] diameter.

AMP-LEAF Connector Accessories

Keying Plugs

Material: Nylon

Technical Documents:

(pages 186, 187):

Instruction Sheets 408-7036,
408-7037, 408-7068, 408-7339

Commoning Springs

Material and Finish:

Beryllium copper, gold plated

Technical Documents:

(pages 186, 187):

Instruction Sheet 408-7419

Retaining Springs

Material: Stainless steel

Technical Documents:

(pages 186, 187):

Instruction Sheets 408-7035,
408-7037

Card Guides

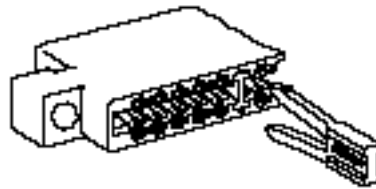
Material: Glass-filled nylon, black

Technical Documents:

(pages 186, 187):

Instruction Sheets 408-7557,
408-7565

On-Contact Keying Plug



.055-.070 [1.4-1.78] Board Thickness—Part No. 480143-1

Intercontact Keying Plugs



.040 [1.02] Wide—Part No. 582501-1
.025 [0.64] Wide—Part No. 583274-1

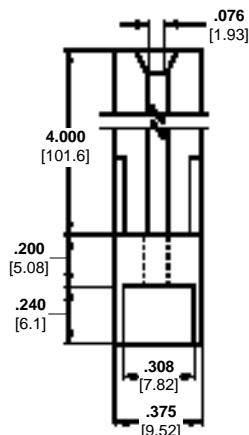


.055-.070 [1.4-1.78] thk. PC board—Part No. 66092-1

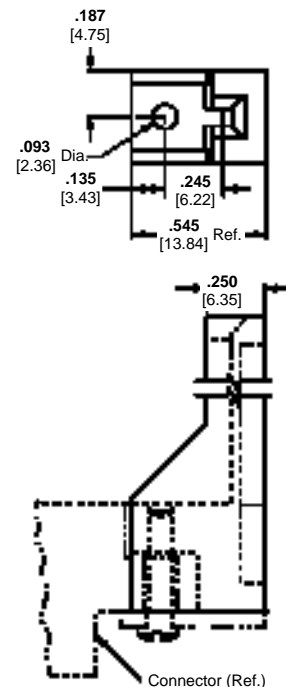
.055-.070 [1.4-1.78] and
.084-.104 [2.13-2.64] thk. PC board with locking latches—Part No. 583454-1



Nickel Finish—Part No. 42973-1
Plain Finish—Part No. 42973-2
Gold Finish—Part No. 42973-3



Card Guide Part Number 583760-1



Note: Card guides may be used with all connector housings having mounting ears.

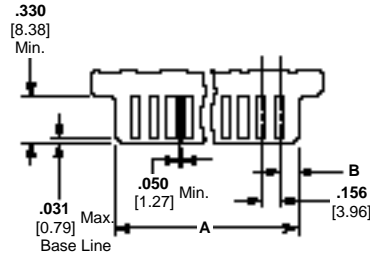
AMP-LEAF Connector PC Board Layouts

**Recommended
PC Board Layouts**

Technical Documents:

(pages 186, 187):

Instruction Sheet 408-7037



Note: Slot for intercontact keying may be located between any two pads (except the first two and last two pads).

| No. of Positions | Housing Material | Dimensions | |
|------------------|------------------|------------|------|
| | | A | B |
| 8 | P | 1.396 | .152 |
| | | 35.46 | 3.86 |
| 10 | P | 1.709 | .151 |
| | | 43.40 | 3.84 |
| 15 | DP | 2.491 | .153 |
| | P | 63.27 | 3.89 |
| 18 | DP | 2.487 | .152 |
| | | 63.17 | 3.86 |
| 22 | DP | 2.940 | .144 |
| | | 74.68 | 3.66 |
| 25 | P | 3.583 | .153 |
| | | 91.00 | 3.89 |
| 32 | P | 3.578 | .151 |
| | | 90.88 | 3.84 |
| 32 | P | 4.043 | .150 |
| | | 102.69 | 3.81 |
| 32 | P | 5.117 | .140 |
| | | 129.97 | 3.56 |

DP = Diallyl Phthalate

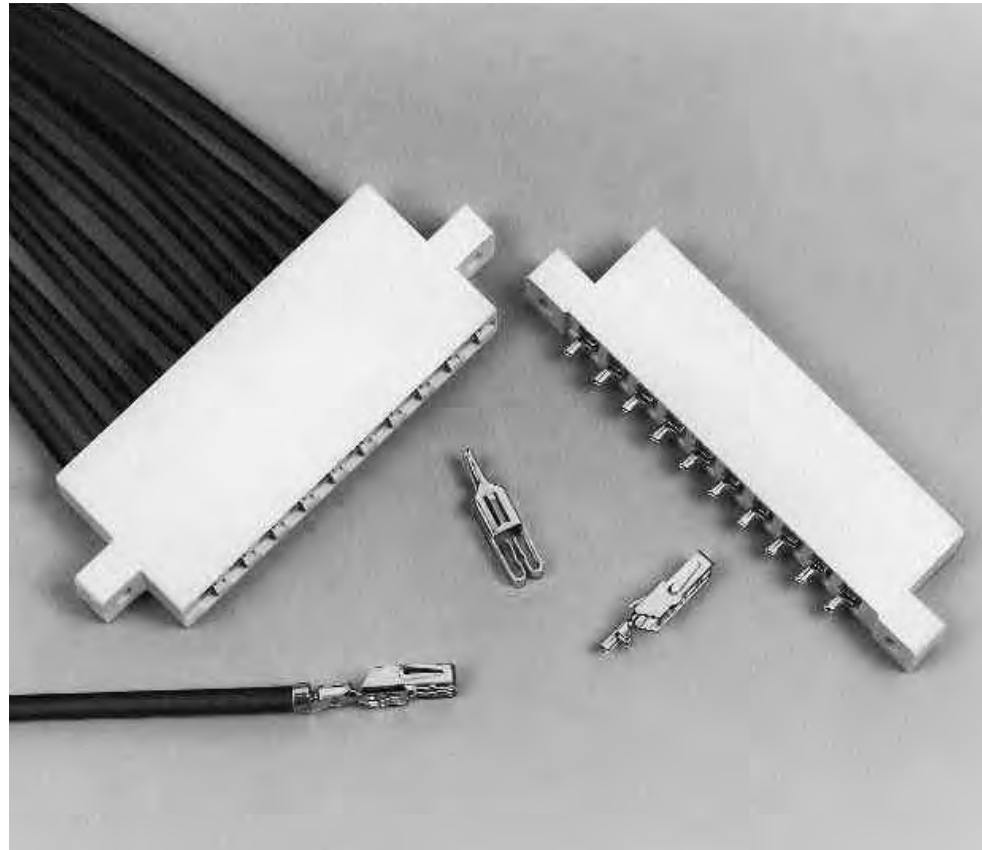
P = Phenolic

Note: Board thickness .055-.070 [1.4-1.78] all positions except 32 position-.084-.104 [2.13-2.64].

High Current Connectors

Product Facts

- High current capability up to 30 amperes*
- UL rated 94V-0 glass-filled thermoplastic housings
- Choice of wire-to-board and board-to-board (solder tail) connector configurations in 3, 4, 8, 9, 10 and 12 contact sizes
- Heavy duty contacts made of high conductivity copper alloy with tin-over-nickel plating
- Contacts on .312 [7.92] centers
- Large redundant areas of contact provide excellent electrical continuity
- Connectors available for mating with .062 [1.57], .093 [2.36] and .125 [3.18] thick double-sided PC boards
- Contacts furnished in strip form for automatic machine termination and loose form for hand tool application
- Recognized under the Component Program of Underwriters Laboratories Inc. File No. E28476
- Certified by Canadian Standards Association File No. LR 7189



AMP High Current Edge Connectors are an economical answer to the costly issue of interconnecting high current printed circuitry. Designed for a current capability of up to 30 amperes*, these connectors feature UL rated 94V-0, rugged glass-filled thermoplastic housings and high conductivity copper alloy contacts with bright tin-over-nickel plating. Contacts are on .312 [7.92] centers.

Connectors are available in 3, 4, 8, 9, 10 and 12 contact positions and in a choice of two styles for board-to-board and wire-to-board applications.

The board-to-board connectors are supplied preloaded with solder tail contacts and are designed to mate with .062 [1.57] thick double-sided daughter boards.

Wire-to-board housings are available with and without mounting ears and with capabilities of mating with .062 [1.57], .093 [2.36] and .125 [3.18] thick double-sided daughter boards. These housings are designed to accept crimp, snap-in contacts which can accommodate a wire size range of 16-10 AWG [1.25-6 mm²]. Contacts are furnished in strip form for automatic machine termination and in loose form for hand tool application.

While the basic contact is designed to carry 30 amperes* of current, the actual number of contacts in a connector carrying 30 amperes is limited by the "T" rise of the connector and the PC board.

Performance Specifications

- Contact Current Rating*:**
30 amperes, max.
- Dielectric Withstanding Voltage (Sea Level):**
1800 VAC
- Operating Voltage:**
250 VAC, max.
- Insulation Resistance:**
1000 megohms, min.
- Contact Resistance @ 30 amperes:**
2 milliohms, max.
- Operating Temperature:**
-40°C to +95°C
- Contact Engagement Force:**
40 oz. [11.12 N], max.

***When used with a .180 [4.57] wide double-sided PC board with 5 oz. [0.14 Kg] min. copper each side. Consult Tyco Electronics engineering when paralleling contacts for power applications.**

High Current Connectors (Continued)

Crimp, Snap-In Contacts

Material and Finish:

A—Copper alloy CDA-195 plated
.000150 [0.00381] bright tin over
.000030 [0.00076] nickel
B—Copper alloy CDA-195 plated
.000150 [0.00381] silver all over

Related Product Data:

Performance Specifications—
page 173

Connector Housings—page 175

Application Tooling—pages 184, 185

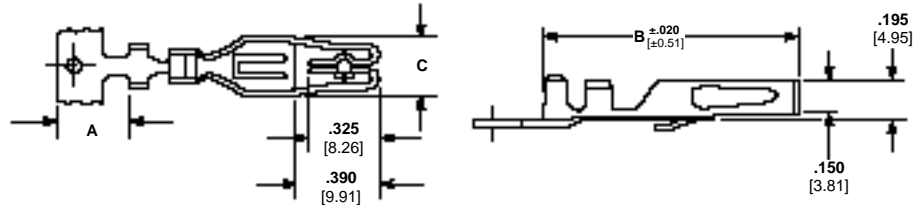
Technical Documents:

(pages 186, 187):

Product Specification
108-9045

Application Specification
114-9005

Instruction Sheets 408-7782,
408-7783, 408-7802



| Plating | Wire Size Range | | Ins. Dia. Range | Dimensions | | | Mateable Daughter Board Thickness | Contact Part Numbers | | Applicator for AMP-O-LECTRIC Machine | Hand Tool 69710-1 Die Insert |
|---------|-----------------|-----------------|------------------------|--------------|----------------|--------------|-----------------------------------|----------------------|------------|--------------------------------------|------------------------------|
| | AWG | mm ² | | A | B | C | | Loose Piece | Strip Form | | |
| A | 16-14 | 1.25-2 | .090-.145 2.29-3.68 | .260 6.60 | 1.160 29.46 | .285 7.24 | .062 1.57 | 530518-1 | 530517-2 | 466439-2 | 90333-1 |
| A | 12-10 | 3-6 | .160-.210 4.06-5.33 | .190 4.83 | 1.230 31.24 | .285 7.24 | .062 1.57 | 530520-1 | 530519-2 | 466438-2 | 90332-1 |
| B | 12-10 | 3-6 | .160-.210 4.06-5.33 | .190 4.83 | 1.230 31.24 | .285 7.24 | .062 1.57 | — | 530519-3 | 466438-2 | 90332-1 |
| A | 12-10 | 3-6 | .160-.210 4.06-5.33 | .190 4.83 | 1.230 31.24 | .347 8.81 | .093 2.36 | — | 531373-2 | 466438-2 | 90332-1 |

*Applicators are for AMP-O-LECTRIC Model "K" machines. Consult Tyco Electronics for applicators for other bench machines and lead-making machines.



**Hand Crimping Tool
69710-1**



**Extraction Tool
91116-1**

High Current Connectors, .312 [7.92] Centerline

Housings

With Mounting Ears

Material: White glass-filled polyester, 94V-0 rated

Related Product Data:

Performance Specifications—
page 173

Contacts—page 174

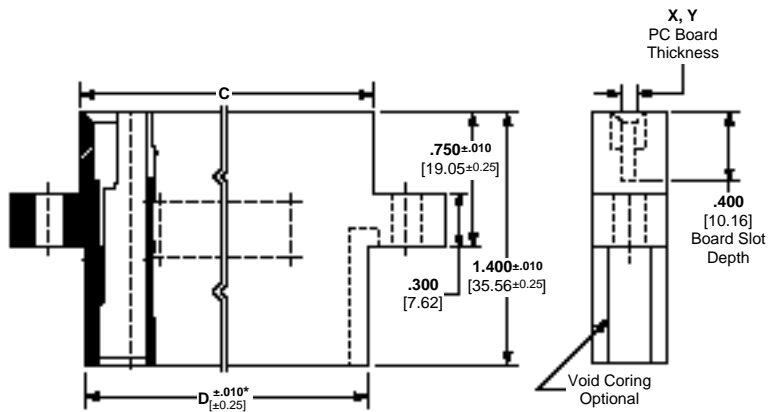
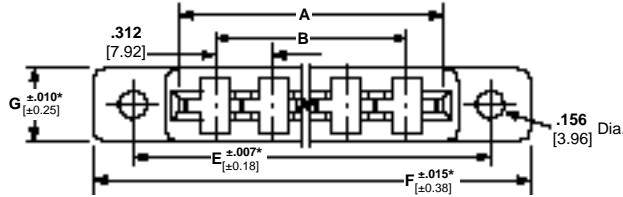
Technical Documents:

(pages 186, 187):

Product Specification

108-9045

Instruction Sheet 408-9123



| No. of Pos. | Dimensions | | | | | | | Housing Part Numbers | |
|-------------|----------------|----------------|----------------|----------------|-----------------|-----------------|---------------|----------------------|-----------------|
| | A | B | C | D | E | F | G | X = .062 [1.57] | Y = .093 [2.36] |
| | | | | | | | | With Mtg. Ears | With Mtg. Ears |
| 3 | 1.024 26.01 | .624 15.85 | 1.164 29.57 | 1.114 28.3 | 1.538 39.07 | 1.972 50.09 | .500 12.70 | — | 531370-2 |
| 4 | 1.336 33.93 | .936 23.77 | 1.476 37.49 | 1.426 36.22 | 1.850 46.99 | 2.284 58.01 | .437 11.10 | 530521-3 | — |
| 8 | 2.584 65.63 | 2.184 55.47 | 2.724 69.19 | 2.674 67.92 | 3.098 78.69 | 3.532 89.71 | .437 11.10 | 530521-6 | — |
| 9 | 2.896 73.56 | 2.496 63.40 | 3.036 77.11 | 2.986 75.84 | 3.410 86.61 | 3.844 97.64 | .437 11.10 | 530521-7 | — |
| 12 | 3.832 97.33 | 3.432 87.17 | 3.972 10.89 | 3.922 99.62 | 4.346 110.39 | 4.780 121.41 | .437 11.10 | 530521-9 | — |

- Notes:**
1. X Housings designed to accept .055-.070 [1.4-1.78] thick daughter boards; use intercontact Keying Plug No. 530533-1.
 2. Y Housings designed to accept .084-.102 [2.13-2.59] thick daughter boards; use intercontact Keying Plug No. 531369-1. + Contact 531373-2.
 3. Use Extraction Tool No. 91116-1 to remove contacts. (Refer to Instruction Sheet 408-7782).
 4. Other connector sizes can be made available, consult Tyco Electronics.

High Current Connectors .312 [7.92] Centerline (Continued)

Housings Preloaded with Solder Tail Contacts

Material and Finish:

Housing—White glass-filled polyester, 94V-0 rated

Contacts—

A—Copper alloy CDA-195 plated .000150 [0.00381] bright tin over .000030 [0.00076] nickel

B—Copper alloy CDA-195 plated .000150 [0.00381] silver plate over .000030 [0.00076] thk. nickel

C—Copper alloy CDA-195 plated .000030 [0.00076] gold in contact area, .000150 [0.00381] tin-lead solder post, over .000030 [0.00076] nickel

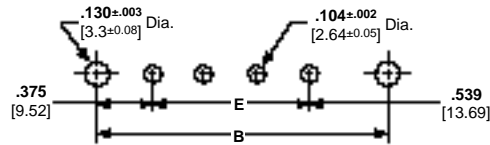
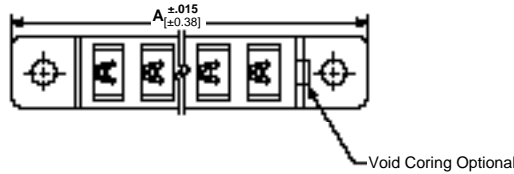
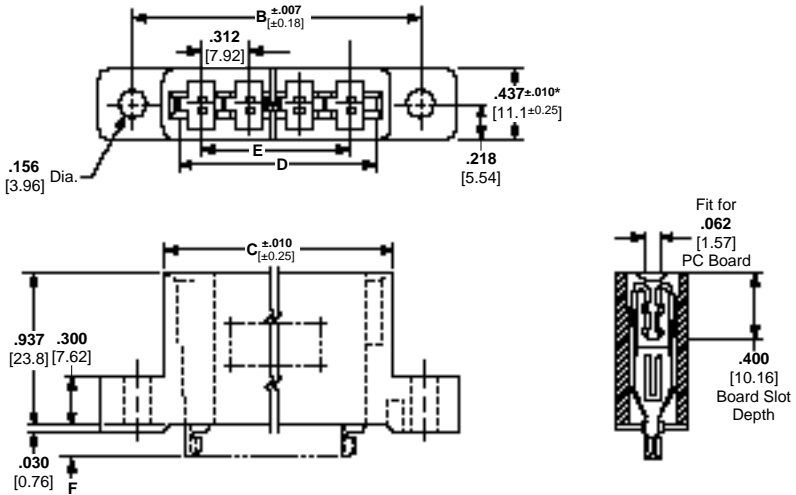
Related Product Data:

Performance Specifications— page 173

Technical Documents:

(pages 186, 187):

Product Specification
108-9045



PC Board Thickness: .062 [1.57]

Recommended PC Board Hole Layout



*May go to .020 [0.51] over nominal at top center of housing.

| No. of Positions | Dimensions | | | | | | Plating | Connector Part Numbers |
|------------------|------------|--------|--------|-------|-------|------|---------|------------------------|
| | A | B | C | D | E | F | | |
| 3 | 1.972 | 1.538 | 1.164 | 1.024 | .624 | .180 | A | 531353-2 |
| | 50.09 | 39.07 | 29.57 | 26.01 | 15.85 | 4.57 | | |
| 4 | 2.284 | 1.850 | 1.476 | 1.336 | .936 | .180 | A | 531353-3 |
| | 58.01 | 46.99 | 37.49 | 33.93 | 23.77 | 4.57 | | |
| 5 | 2.593 | 2.162 | 1.788 | 1.648 | 1.248 | .180 | A | 531353-4 |
| | 65.86 | 54.91 | 45.42 | 41.86 | 31.70 | 4.57 | | |
| 6 | 2.908 | 2.474 | 2.100 | 1.960 | 1.560 | .180 | A | 531353-5 |
| | 73.86 | 62.84 | 53.35 | 49.78 | 39.62 | 4.57 | | |
| 8 | 3.532 | 3.098 | 2.724 | 2.584 | 2.184 | .180 | A | 531353-6 |
| | | | | | | 4.57 | | |
| | 89.71 | 78.69 | 69.19 | 66.63 | 55.47 | .283 | B | 146912-2 |
| | | | | | | 7.19 | | |
| 9 | 3.844 | 3.410 | 3.036 | 2.896 | 2.496 | .180 | A | 531353-7 |
| | | | | | | 4.57 | | |
| 10 | 4.156 | 3.722 | 3.348 | 3.208 | 2.808 | .180 | A | 531353-8 |
| | | | | | | 4.57 | | |
| | 105.56 | 94.54 | 85.04 | 81.48 | 71.32 | .283 | B | 146912-3 |
| | | | | | | 7.19 | | |
| 12 | 4.780 | 4.346 | 3.972 | 3.832 | 3.432 | .180 | A | 531353-9 |
| | | | | | | 4.57 | | |
| | 121.41 | 110.39 | 100.89 | 97.33 | 87.17 | .283 | B | 146912-1 |
| | | | | | | 7.19 | | |

Notes: 1. A .062 [1.57] thick dummy PC board should be inserted into the connector during soldering to a mother board.
2. Other connector sizes can be made available, consult Tyco Electronics.

DUO-TYNE Flag Connectors

Product Facts

- Right angle design permits cabling in close quarters
- Recessed contacts help prevent arcing
- Sizes and configurations available with or without mounting ears
- Lowest installed costs achieved through high-speed compression crimping with AMP matched tooling
- Meets quality and reliability requirements for appliance controls, vending machine subassemblies and business machines
- Recognized under the Component Program of Underwriters Laboratories Inc. File No. E28476 
- Certified by Canadian Standards Association File No. LR 7189 



This flag-type connector is designed to meet the quality and reliability of such equipment as appliance controls, vending machine subassemblies, television, stereo, business machines and other applications with similar control needs.

Among its assembly-saving features is a right-angle design which permits cabling in close quarters, where it does not require frame mounting to attach

the keyed housing to the card cutout and double locking of the contacts when a PC board is inserted. In addition, contacts are recessed to prevent arcing. All sizes and configurations are available with or without mounting ears. Added to low initial cost, lowest installed costs are achieved through high-speed compression crimping with Tyco Electronics matched tooling.

Performance Specifications

Contact Rating*:
5 amperes

High Potential:
2200 VAC, rms

Operating Temperature:
-40°C to +105°C

Vibration:
10 to 55 cps per MIL-STD-1344, Method 202

*Consult Tyco Electronics engineering when paralleling contacts for power applications.

Tapered Beam Crimp, Snap-In Contacts

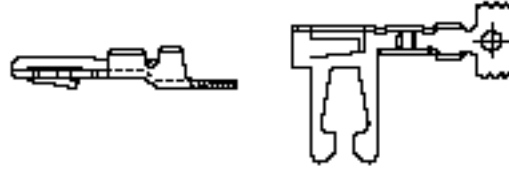
Material and Finish:

Beryllium copper or phosphor bronze (see chart) plated as follows:

Plating A—.000030 [0.00076] gold in mating area, with entire contact under-plated .000050 [0.00127] nickel

Plating B—.000015 [0.00127] gold in mating area, with entire contact under-plated .000050 [0.00127] nickel

Plating C—.000150 [0.00381] tin



Related Product Data:

Performance Specifications—page 177

Connector Housings—page 179

Application Tooling—pages 184, 185

Technical Documents:

(pages 186, 187):

Product Specification 108-9038

Application Specification 114-9002

Instruction Sheets 408-7047, 408-7780, 408-7848, 408-7849

| Wire Size Range | | Insulation Dia. Range | Material | Contact Finish (Plating) | Contact Part Numbers | | Applicator for AMP-O-LECTRIC Machine* | Hand Tool |
|-----------------|-----------------|------------------------|------------------|--------------------------|----------------------|------------|---------------------------------------|-----------|
| AWG | mm ² | | | | Loose Piece | Strip Form | | |
| 26-22 | 0.12-0.4 | .035-.055 0.89-1.40 | Beryllium Copper | A | 530005-3 | 530004-6 | 466586-2 | 90094-4 |
| | | | | B | — | 530004-7 | | |
| | | | | B | — | 530002-7 | | |
| 22-18 | 0.3-0.9 | .060-.090 1.52-2.29 | Phosphor Bronze | C | — | 530002-5 | 466424-2 | 90027-4 |
| | | | | A | — | 530002-3 | | |
| | | | | C | — | 530006-5 | | |
| 18-16 | 0.8-1.4 | .090-.130 2.29-3.30 | Beryllium Copper | A | — | 530006-6 | 466413-2 | — |
| | | | | B | 530007-3 | — | | |
| | | | | C | — | 530006-2 | | |
| 18-16 | 0.8-1.4 | .090-.130 2.29-3.30 | Phosphor Bronze | C | — | 530505-5 | 466413-2 | — |

*Applicators are for AMP-O-LECTRIC Model "K" machines. Consult Tyco Electronics for applicators for other bench machines and lead-making machines.

Hand Crimping Tool



Contact Extraction Tool
810992-1



DUO-TYNE Flag Connectors (Continued)

Housings, With and Without Mounting Ears

Material: Natural nylon

Related Product Data:

Performance Specifications—page 177

Contacts—page 178

PC Board Layout—page 181

Technical Documents:

(pages 186, 187):

Product Specification 108-9038

Application Specification 114-9002

Instruction Sheet 408-7047

On-Contact Keying Plug

Material: Nylon

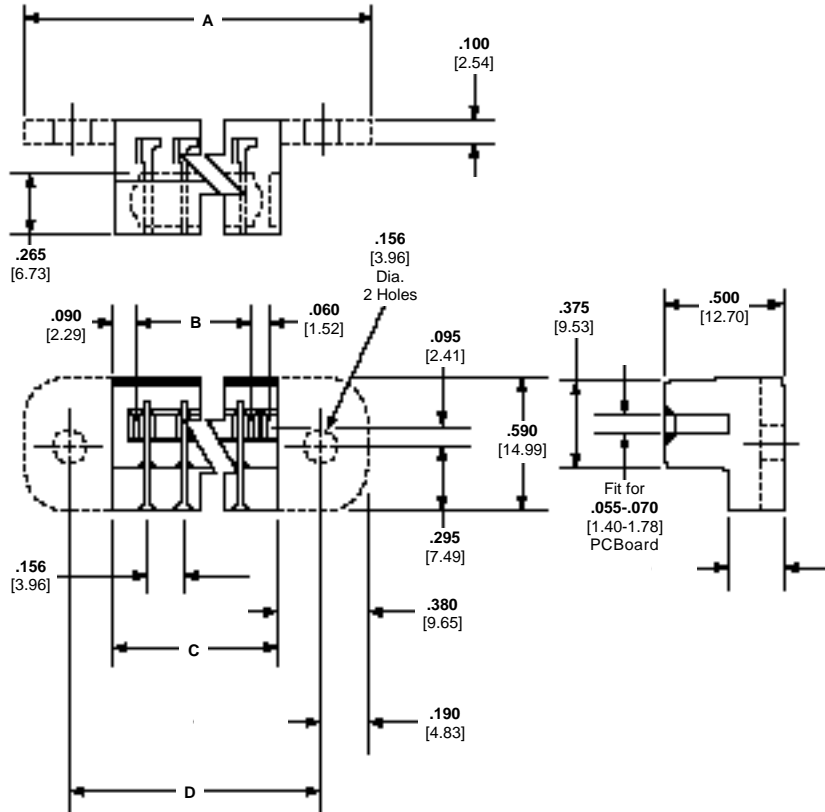


Part Number 583661-1

Technical Documents:

(pages 186, 187):

Instruction Sheet 408-7486



| No. of Pos. | Dimensions | | | | Part Numbers | | | |
|-------------|-----------------|----------------|----------------|-----------------|---------------------|---------------------|-----------------------|---------------------|
| | | | | | With Mounting Ears | | Without Mounting Ears | |
| | A | B | C | D | For Ins. Dia. Range | For Ins. Dia. Range | For Ins. Dia. Range | For Ins. Dia. Range |
| 3 | 1.384 35.15 | .414 10.52 | .624 15.85 | 1.004 25.50 | 582380-9 | — | — | — |
| 5 | — | .736 22.40 | .936 27.74 | — | — | — | 582370-9 | 530853-2 |
| 6 | 1.852 47.04 | .882 22.40 | 1.092 27.74 | 1.472 37.39 | 582382-9 | 530509-1 | 582371-9 | 530853-3 |
| 9 | 2.320 58.93 | 1.350 34.29 | 1.560 39.62 | 1.940 49.28 | 582383-9 | 530509-2 | 582375-9 | — |
| 12 | 2.788 70.82 | 1.818 46.18 | 2.028 51.51 | 2.408 61.16 | 582384-9 | 530509-6 | 582376-9 | 530853-5 |
| 14 | 3.100 78.74 | 2.130 54.10 | 2.340 59.44 | 2.720 69.09 | 582385-9 | 530509-7 | 582372-9 | 530853-6 |
| 15 | 3.256 82.70 | 2.286 58.06 | 2.496 63.40 | 2.876 73.05 | 582386-9 | 530509-3 | 582377-9 | — |
| 18 | 3.724 94.59 | 2.754 69.95 | 2.964 75.29 | 3.344 84.94 | 582387-9 | 530509-8 | 582378-9 | 530853-8 |
| 22 | 4.348 110.44 | 3.378 85.80 | 3.588 91.14 | 3.968 100.79 | 582388-9 | 530509-9 | 582379-9 | — |

Note: Other connector sizes can be made available, consult Tyco Electronics.

DUO-TYNE Flag Connectors (Continued)

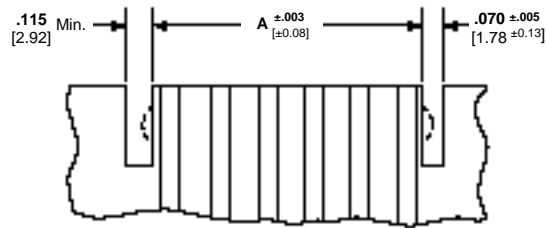
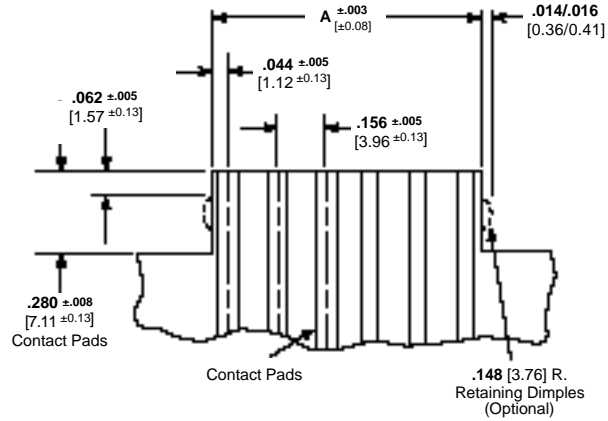
Recommended PC Board Layouts

Related PC Board Data:

Recommended Board Thickness—
.055-.070 [1.40-1.78]

Recommended Chamfer of Mating Edge of Boards—.015 [0.38] x 45°

Recommended Pad Plating—Tin
.000150-.000400 [0.00381-0.01016]
thick

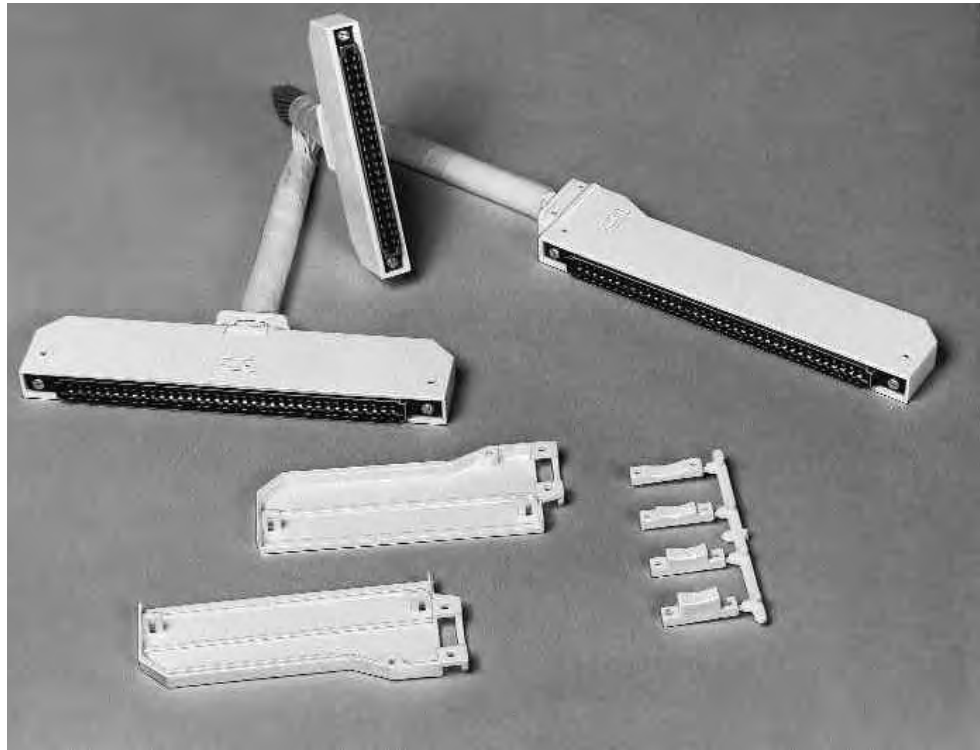


| No. of Positions | Dimension A |
|------------------|----------------|
| 3 | .400 10.16 |
| 5 | .712 18.09 |
| 6 | .868 22.05 |
| 9 | 1.337 33.96 |
| 12 | 1.805 45.85 |
| 14 | 2.117 53.77 |
| 15 | 2.272 57.71 |
| 18 | 2.741 69.62 |
| 22 | 3.365 85.47 |

Printed Circuit Board Connector Hood Assemblies

Product Facts

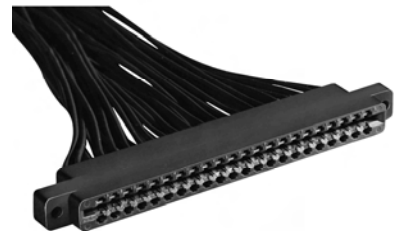
- Can be used with the highly versatile AMP-LEAF and Crimp Snap Twin Leaf printed circuit edge connectors
- Clamping capabilities for wire bundles to .550 [13.97] maximum diameter
- Available with 90° or 180° cable outlet
- All plastic construction—thermoplastic material UL rated 94V-0 for electrical and mechanical applications up to + 105°C
- Thermoplastic material has excellent resistance to common commercial cleaners when used at moderate temperatures
- Separate hood assembly halves permit easy cable dressing
- Furnished in convenient kit form—each kit includes four cable clamp sizes



For use with the following connectors:



Crimp Snap Twin Leaf Connectors
(Pages 154-163)



AMP-LEAF Connectors
(Pages 164-172)

Wire-to-Board Connectors

90° Cable Outlet

Material: Natural color thermoplastic

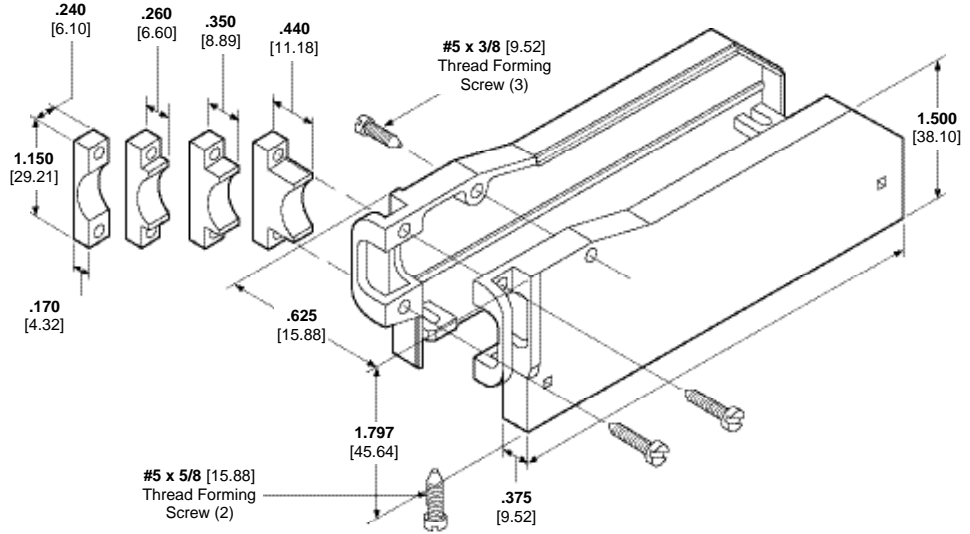
Related Product Data:

Crimp Snap Twin Leaf Connectors—pages 154-163

AMP-LEAF Connectors—pages 164-172

Technical Documents:
(pages 186, 187):

Instruction Sheet 408-7719



| No. of Contact Pos. | Connector Size | | | Hood L Dim. (Max.) | Connector Width .380 [9.65] Max. | | Connector Width .437 [11.10] | |
|---------------------|-----------------|-------------------|-----------------|--------------------|----------------------------------|---------------------------|------------------------------|---------------------------|
| | Contact Centers | Mtg. Hole Centers | Length (Max.) | | AMP Connector Family | Hood Assembly Kit Number* | AMP Connector Family | Hood Assembly Kit Number* |
| 18 | 1.56 3.96 | 3.406 86.51 | 3.685 93.60 | 3.826 97.18 | AMP-LEAF | 530088-3 | — | — |
| 22 | .156 3.96 | 4.031 102.39 | 4.296 109.12 | 4.451 113.06 | — | — | Crimp Snap Twin Leaf | 1-530088-4 |

*All screws and four sizes of cable clamps are supplied with each kit.

Note: Other hood sizes can be made available, consult Tyco Electronics.

Printed Circuit Board Connector Hood Assemblies (Continued)

180° Cable Outlet

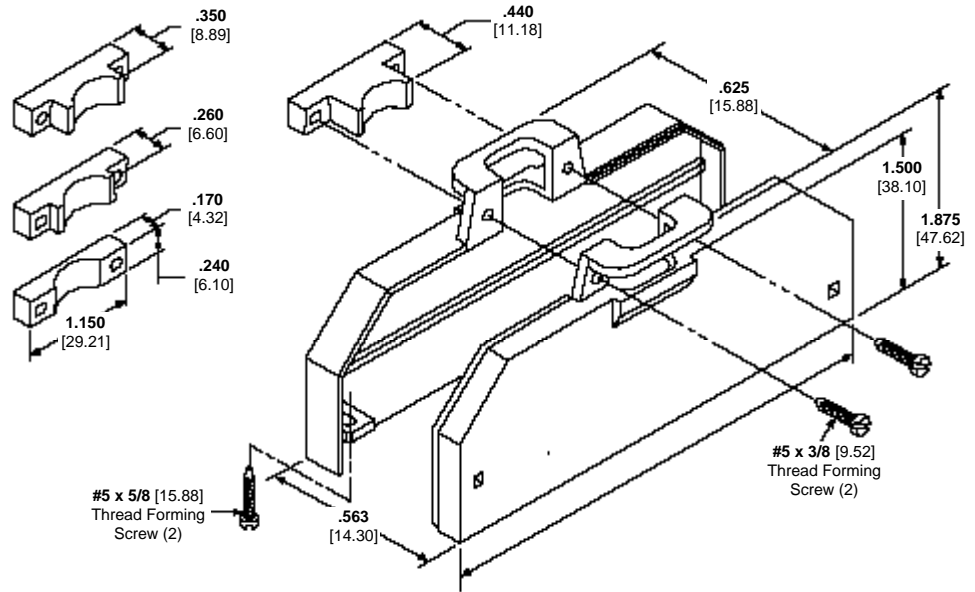
Material: Natural color thermoplastic

Related Product Data:

AMP-LEAF Connectors—
pages 164-172

Technical Documents:

(pages 186, 187):
Instruction Sheet 408-7719



| No. of Pos. | Connector Size | | | Hood L Dim. (Max.) | Connector Width .380 [9.65] Max. | |
|-------------|-----------------|-------------------|-----------------|--------------------|----------------------------------|---------------------------|
| | Contact Centers | Mtg. Hole Centers | Length (Max.) | | AMP Connector Family | Hood Assembly Kit Number* |
| 22 | .156 3.96 | 4.031 102.39 | 4.321 109.76 | 4.451 113.06 | AMP-LEAF | 530087-4 |

*All screws and four sizes of cable clamps are supplied with each kit.
Note: Other hood sizes can be made available, consult Tyco Electronics.

Application Tooling for Wire Crimp Contacts

Tooling shown on this page is designed to terminate wire crimp contacts used in various wire-to-board connectors.

**AMP-O-LECTRIC Model "G" Terminating Machine
(Shown with Optional Crimp Quality Monitor)**



The AMP-O-LECTRIC Model "G" is a semi-automatic bench-top machine for terminating wire using reeled terminals and contacts. It features a quiet and reliable direct motor drive, micro-processor controls for ease of setup and operation, and guarding and lighting designed for operator convenience and safety. Three versions are available: with

automatic precision adjust and machine-mounted sensors, or with manual precision adjust with or without sensors. All versions will accept existing Tyco Electronics ministyle applicators with minor modifications.

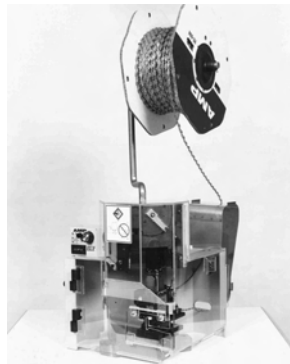
For further details, request Tyco Electronics Catalog 65828.

**AMP-O-MATIC Model II Stripper/Crimper Machine
(Shown with Optional Crimp Quality Monitor)**



This machine also strips wire, and is therefore used to terminate jacketed cable. It features manual precision adjust, keyed strip blades for faster, more accurate setups, and an efficient scrap removal system. Applicators are interchangeable. All adjustments can be made from the front of the machine without special tools.

Entry Level Terminator (ELT), 1338600-(x)

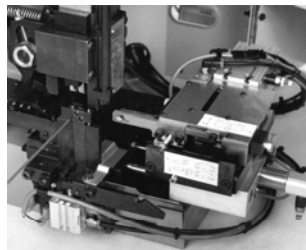


Semiautomatic Bench Terminator for side- and end-feed reeled terminals and contacts. The ELT uses a DC motor with gear box drive. The result is a small-footprint design that is fast and quiet. Cycle time is less than 0.400 sec. with an operation sound level of 76dBa. With a crimp force capacity of 3,000 pounds, the ELT is available for all

but the highest crimp force applications. Optional equipment is also available to meet your specific application requirements.

For more information, request catalog 1308382.

Optional Stripping Module for the ELT and AMP-O-LECTRIC Model G



The combination of the Stripping Module with the AMP-O-LECTRIC Model G Terminator or the Entry Level Terminator provides an economical, proficient method of stripping wire and crimping terminals on the same machine. Wires are stripped moments before crimping, meaning there is virtually no chance

of damaging wire conductors during handling or storage. Once the wire is fed into the start sensor the Stripping Module does the rest, improving placement accuracy.

For more information, request catalog 1309085.

Application Tooling for Wire Crimp Contacts (Continued)

**AMPOMATOR CLS IV+
Lead-Making Machines, 356500-1, -2**



Fully-automatic machines that measure, cut, strip and terminate single leads. Microprocessor-controlled, and programmed and operated using an easy-to-follow, menu-driven touchscreen. Features include direct-drive terminating units with precision crimp height adjustment, fully programmable setups,

wire runout and splice detection, and motorized pre-feed with wire straightener. Crimp quality monitoring is also available. For more information, request catalog 124324.

Crimp Quality Monitor (CQM), 1320420-1, -2



This unique system provides 100% on-the-fly crimp inspection. It measures the crimp height of each termination, and evaluates the quality of each crimp. If a crimp is questionable, the monitor alerts the operator with both visual and audible alarms. It also provides ports for printing and networking. When used with

AMP-O-LECTRIC Model "G" Termination Machines, the monitor is mounted to the machine. When used with AMPOMATOR CLS IV Lead-Making Machines, it is integrated into the machine's operating system. For more information, request catalog 82275.

CERTI-CRIMP Straight Action Hand Tools (SAHT)



Premium grade hand tools. Feature ratchet control to provide complete crimp cycle. Die sets close in a straight line. Include a contact locator and wire stop, plus an insulation crimp adjustment lever, when applicable. Approximate weight 1.3 lb [0.59 kg].

For more information, request catalog 65780.

626 Pneumatic Tool System



Lightweight, air-operated modular tooling system. Accepts a wide variety of interchangeable heads for crimping various types of contacts, terminals and splices onto wires ranging 6-26 AWG [13-0.12 mm²], plus coaxial and fiber optic cable. Available with either hand- or foot-actuation switch. Optional ratchet

control available to provide complete crimp cycle. For more information, request catalog 124208.

The following is a list of technical documents covering the application, performance and maintenance of the AMP Card Edge Connectors presented in this catalog.

Product Specifications describe technical performance characteristics and verification tests. They are intended for the Design, Component and Quality Engineer.

Application Specifications describe requirements for using the product in its intended application and/or crimping information. They are intended for the Packaging and Design Engineer and the Setup person.

Instruction Sheets provide instructions for assembling or applying the product. They are intended for the Manufacturing Assembler or Operator.

Solder Type Board-to-Board Connectors

Standard Edge .050 Series PCI Connectors

Product Specification:

108-14034 Standard Edge .050 Series PCI Connector

Application Specification:

114-26012 Standard Edge .050 Series PCI Connector

Standard Edge .050 Series Connectors

Product Specification:

108-14034 Standard Edge .050 Series Connector

Application Specification:

114-26012 Standard Edge .050 Series Connector

Standard Edge II Connectors

Product Specification:

108-9039 Standard Edge II Connector

Low Profile Connectors

Product Specification:

108-9044 Low Profile Edge Connector

Instruction Sheet:

408-7772 Contact Replacement, Low Profile Edge Connector

Twin Leaf Mother Board Connectors

Product Specification:

108-9027 Twin Leaf Mother Board Connector

Instruction Sheets:

408-7479 Keying Plugs, Twin Leaf Mother Board Connector

408-7498 Connector Layout, Twin Leaf Mother Board Connector

408-7506 Card Guides, Twin Leaf Mother Board Connector

Rotary Cam ZIF Connectors

Product Specification:

108-9048 Rotary Cam PC Board Edge Connector

Instruction Sheet:

408-7911 Rotary Cam ZIF Connectors

Linear ZIF Connectors

Product Specifications:

108-14015 Linear ZIF PC Board Edge Connector, .100 [2.54] Centerline

108-26003 ACTION PIN Contacts

Application Specification:

114-26003 Linear ZIF PC Board Edge Connector, .100 [2.54] Centerline

Instruction Sheets:

408-2665 Linear ZIF, Carrier Removal Tool Series 265924

408-2995 Linear ZIF, Housing Wing Removal and Replacement Tool 266233-1

408-2999 Linear ZIF, T-Bar Insertion Tool Series 266267

408-6915 Linear ZIF, Housing Assembly Insertion Tool Series 313136

408-6916 Linear ZIF, T-Bar Insertion Tool Series 313139

Press-Fit Board-to-Board Connectors

AMP PACE Connectors

Product Specifications:

108-14019 AMP PACE Connector, .125 x .250 [3.18 x 6.35] Centerline

108-26003 ACTION PIN Contacts

Application Specification:

114-26002 AMP PACE Connector

Instruction Sheets:

408-2933 Contact Replacement Tool .100 x .200 [2.54 x 5.08] and .125 x .250 [3.18 x 6.35], AMP PACE Connector

408-2978 Seating Tool Ground Module, AMP PACE Connector

408-2979 Seating Tool Power Module, AMP PACE Connector

408-6726 Seating Tool, .156 x .200 [3.96 x 5.08] Part No. 59955, AMP PACE Connector

408-6727 Seating Tool, .125 x .125 [3.18 x 3.18] Part No. 59953, AMP PACE Connector

408-6881 Contact Replacement Tool .100 x .100 [2.54 x 2.54] with and without Scoops AMP PACE Connector

408-9058 Seating Tool .100 x .200 [2.54 x 5.08] with Card Scoops, Part No. 58150, AMP PACE Connector

408-9063 Seating Tool .125 x .250 [3.18 x 6.35] Part No. 58142, AMP PACE Connector

408-9067 Seating Tool .100 x .200 [2.54 x 5.08] Part No. 58140, AMP PACE Connector

408-9091 Accessories and Tooling, .100 x .200 [2.54 x 5.08] AMP PACE Connector

408-9119 Seating Tool, .125 x .250 [3.18 x 6.35] with Card Scoops, Part No. 58184, AMP PACE Connector

408-9186 Contact Replacement Tool; .100 x .200 [2.54 x 5.08], .125 x .125 [3.18 x 3.18], .125 x .250 [3.18 x 6.35] with Scoops, .156 x .200 [3.96 x 5.08], AMP PACE Connector

408-9188 Seating Tool .100 x .100 [2.54 x 2.54] Part No. 58200, AMP PACE Connector

ECONOMATE Connectors

Product Specification:

108-26002 ECONOMATE Connector

Instruction Sheet:

408-9091 Accessories and Tooling, .100 x .200 [2.54 x 5.08] AMP PACE Connector

Wire-to-Board Connectors

Crimp Snap Twin Leaf Connectors

Product Specification:

108-9031 Crimp Snap Twin Leaf Connector (Bifurcated Contacts)

Application Specification:

114-9004 Contact, Twin Leaf Connector

Instruction Sheets:

- 408-7527** Accessories and Contacts, Crimp Snap Twin Leaf Connector
- 408-7529** Extraction Tool 91073-1
- 408-7531** Hand Tool 90268-1, Single Crimp, 28-24 AWG [0.08-0.2 mm²] Wire
- 408-7551** Hand Tool 90264-1, Double Crimp, 22-20 AWG [0.3-0.6 mm²] and 18 AWG [0.8-0.9 mm²] Wire
- 408-7583** Hand Tool 90285-1, Double Crimp, 20-18 AWG [0.5-0.9 mm²] and 16 AWG [1.25-1.4 mm²] Wire
- 408-8547** CERTI-CRIMP II Straight Action Hand Tools

AMP-LEAF Connectors

Product Specifications:

108-9013 AMP-LEAF Connector
108-9043 AMP-LEAF Connector, Tin Plated Contacts

Application Specification:

114-9003 Contact, AMP-LEAF Connector

Instruction Sheets:

- 408-6951** Lubricant for tin plating, fretting, corrosion
- 408-7035** Retaining Spring 42973
- 408-7036** On-Contact Keying Plugs 480143 and 582756
- 408-7037** Accessories and Contacts, AMP-LEAF Connector
- 408-7045** Extraction Tool 465195
- 408-7068** Intercontact Keying Plug 582501
- 408-7339** Intercontact Keying Plug 583274
- 408-7419** Commoning Springs
- 408-7622** Hand Tool 90017-3, 22-20 AWG [0.3-0.6 mm²], Two 22 AWG [0.3-0.4 mm²] or One 18 AWG [0.8-0.9 mm²] Wire
- 408-7623** Hand Tool 90028-3, 26-22 AWG [0.12-0.4 mm²], Two 22 AWG [0.3-0.4 mm²] Wires
- 408-7624** Hand Tool 90031-8, Two 18 AWG [0.8-0.9 mm²] Wires
- 408-7626** Hand Tool 90101-3, 20 AWG [0.5-0.6 mm²] or Two 20 AWG [0.5-0.6 mm²] Wires

High Current Connectors

Product Specification:

108-9045 High Current Edge Connector

Application Specification:

114-9005 Contact, High Current Edge Connector

Instruction Sheets:

- 408-7782** Extraction Tool 91116-1, High Current Connector
- 408-7783** Die Inserts 90332-1 and 90332-2
- 408-7802** Die Inserts 90333-1 and 90333-2
- 408-9123** High Current Connectors

DUO-TYNE Flag Connectors

Product Specification:

108-9038 DUO-TYNE Flag Connector, Tapered Beam Contact

Application Specification:

114-9002 Contact, DUO-TYNE Flag Connector

Instruction Sheets:

- 408-7047** DUO-TYNE Flag Right-Angle Connector
- 408-7486** On-Contact Keying Plug 583661
- 408-7780** Hand Tool 90335-1, 18-16 AWG [0.8-1.4 mm²] Wire
- 408-7848** Hand Tool 90027-4, 22-18 AWG [0.3-0.9 mm²] Wire
- 408-7849** Hand Tool 90094-4, 26-22 AWG [0.12-0.4 mm²] Wire

Printed Circuit Board Connector Hood Assemblies

Instruction Sheet:

408-7719 Printed Circuit Board Connector Hood Assemblies

Part Number Cross Reference—Tyco Part Number to Acquired Part Number

All Tyco Electronic Part Numbers without a corresponding acquired Part Number are listed as base part numbers only. Complete part numbers (with prefixes and/or suffixes) are shown on the page(s) indicated.
Contact Engineering if no corresponding Tyco Number is available.

| Tyco Part Number | Acquired Part Number | Page Number |
|------------------|----------------------|---|
| 11299 | — | 9 |
| 42973 | — | 171 |
| 58084 | — | 117 |
| 58140 | — | 115 |
| 58142 | — | 115 |
| 58143 | — | 115 |
| 58150 | — | 115 |
| 58184 | — | 115 |
| 58200 | — | 115 |
| 58210 | — | 115 |
| 58218 | — | 115 |
| 59881 | — | 112 |
| 60151 | — | 165 |
| 66067 | — | 166 |
| 66084 | — | 165 |
| 66092 | — | 171 |
| 69710 | — | 174 |
| 90017 | — | 165 |
| 90027 | — | 174 |
| 90028 | — | 165 |
| 90031 | — | 165 |
| 90094 | — | 174 |
| 90101 | — | 165 |
| 90264 | — | 155 |
| 90268 | — | 155 |
| 90285 | — | 155 |
| 90332 | — | 174 |
| 90333 | — | 174 |
| 91081 | — | 72 |
| 91088 | — | 72 |
| 91116 | — | 174,175 |
| 91535 | — | 155 |
| 98014 | — | 57 |
| 98341 | — | 150 |
| 117169 | — | 112,122 |
| 117249 | — | 124,126 |
| 117269 | — | 124,126 |
| 117272 | — | 126 |
| 117285 | — | 121,126 |
| 117296 | — | 121,126 |
| 117311 | — | 123 |
| 117793 | — | 126 |
| 117795 | — | 120,126 |
| 117796 | — | 126 |
| 117798 | — | 120,126 |
| 117879 | — | 126 |
| 117880 | — | 126 |
| 118243 | — | 123 |
| 118778 | — | 121 |
| 118951 | — | 120 |
| 118982 | — | 100,102, 104,105, 106,108, 110,111, 120,121 |
| 119136 | — | 123 |
| 119163 | — | 103 |
| 119196 | — | 88 |
| 119200 | — | 107 |
| 119202 | — | 107 |
| 119216 | — | 103 |
| 119216 | — | 103 |
| 119237 | — | 101 |
| 119254 | — | 110 |
| 119256 | — | 110 |
| 119311 | — | 88 |
| 119341 | — | 112 |
| 119413 | — | 101 |
| 119552 | — | 105 |
| 119677 | — | 103 |

| Tyco Part Number | Acquired Part Number | Page Number |
|------------------|----------------------|------------------------------------|
| 119726 | — | 103 |
| 119734 | — | 101 |
| 119736 | — | 101 |
| 119738 | — | 103 |
| 119790 | — | 110 |
| 119791 | — | 103 |
| 119802 | — | 100,102, 104,106, 108,110, 111,120 |
| 119822 | — | 107 |
| 119831 | — | 101 |
| 119840 | — | 107 |
| 119841 | — | 107 |
| 119853 | — | 104 |
| 119880 | — | 105 |
| 119950 | — | 93 |
| 145031 | — | 14 |
| 145089 | — | 23 |
| 145098 | — | 9 |
| 145113 | — | 8 |
| 145116 | — | 176 |
| 145154 | — | 9 |
| 145165 | — | 10 |
| 145166 | — | 8 |
| 145167 | — | 9 |
| 145168 | — | 10 |
| 145169 | — | 8 |
| 145246 | — | 10 |
| 146912 | — | 176 |
| 147400 | — | 85 |
| 147668 | — | 129 |
| 176137 | — | 17 |
| 176139 | — | 25 |
| 265868 | — | 126 |
| 265871 | — | 95,115, 126 |
| 265879 | — | 126 |
| 265881 | — | 126 |
| 265902 | — | 126 |
| 265904 | — | 126 |
| 265905 | — | 126 |
| 265906 | — | 126 |
| 265910 | — | 126 |
| 265911 | — | 126 |
| 265912 | — | 126 |
| 265924 | — | 95,126 |
| 265931 | — | 126 |
| 265937 | — | 126 |
| 265962 | — | 126 |
| 266129 | — | 126 |
| 266220 | — | 115 |
| 266233 | — | 95,186 |
| 266235 | — | 95 |
| 266264 | — | 95 |
| 266267 | — | 95 |
| 313136 | — | 95 |
| 313139 | — | 95 |
| 313256 | — | 95 |
| 343371 | — | 165 |
| 350396 | — | 21 |
| 356500 | — | 185 |
| 465195 | — | 165 |
| 466366 | — | 165 |
| 466367 | — | 165 |
| 466368 | — | 165 |
| 466413 | — | 178 |
| 466424 | — | 178 |
| 466438 | — | 174 |
| 466439 | — | 174 |
| 466577 | — | 155 |
| 466586 | — | 178 |
| 466622 | — | 155 |
| 466713 | — | 155 |
| 466912 | — | 155 |
| 466919 | — | 155 |
| 466928 | — | 155 |

| Tyco Part Number | Acquired Part Number | Page Number |
|------------------|----------------------|--------------|
| 480110 | — | 165,168, 169 |
| 480133 | — | 165,168, 169 |
| 480142 | — | 165,168, 169 |
| 480143 | — | 171 |
| 530002 | — | 178 |
| 530004 | — | 178 |
| 530005 | — | 178 |
| 530006 | — | 178 |
| 530007 | — | 178 |
| 530030 | — | 72 |
| 530061 | — | 170 |
| 530087 | — | 183 |
| 530088 | — | 182 |
| 530213 | — | 162 |
| 530218 | — | 158 |
| 530238 | — | 160 |
| 530245 | — | 156 |
| 530265 | — | 72 |
| 530267 | — | 72 |
| 530268 | — | 72 |
| 530270 | — | 72 |
| 530278 | — | 72 |
| 530282 | — | 72 |
| 530286 | — | 72 |
| 530290 | — | 72 |
| 530291 | — | 72 |
| 530292 | — | 66 |
| 530384 | — | 22 |
| 530396 | — | 21 |
| 530505 | — | 178 |
| 530509 | — | 179 |
| 530517 | — | 174 |
| 530518 | — | 174 |
| 530519 | — | 174 |
| 530520 | — | 174 |
| 530521 | — | 175 |
| 530533 | — | 175 |
| 530654 | — | 62 |
| 530655 | — | 62 |
| 530656 | — | 62 |
| 530657 | — | 62 |
| 530659 | — | 60 |
| 530662 | — | 60 |
| 530663 | — | 60 |
| 530664 | — | 60 |
| 530666 | — | 62 |
| 530667 | — | 62 |
| 530668 | — | 62 |
| 530669 | — | 62 |
| 530671 | — | 60 |
| 530672 | — | 60 |
| 530673 | — | 60 |
| 530674 | — | 60 |
| 530677 | — | 62 |
| 530678 | — | 62 |
| 530689 | — | 62 |
| 530825 | — | 21 |
| 530826 | — | 22 |
| 530841 | — | 20 |
| 530842 | — | 20 |
| 530843 | — | 17 |
| 530844 | — | 18 |
| 530851 | — | 170 |
| 530853 | — | 179 |
| 531004 | — | 80 |
| 531007 | — | 78 |
| 531019 | — | 74 |
| 531020 | — | 74 |
| 531021 | — | 74 |
| 531023 | — | 77 |
| 531024 | — | 77 |
| 531025 | — | 78 |
| 531026 | — | 78 |
| 531250 | — | 22,162 |

Part Number Cross Reference
Tyco Part Number to Acquired Part Number

Part Number Cross Reference—Tyco Part Number to Acquired Part Number

| Tyco Part Number | Acquired Part Number | Page Number | Tyco Part Number | Acquired Part Number | Page Number | Tyco Part Number | Acquired Part Number | Page Number |
|------------------|----------------------|--------------|------------------|----------------------|--------------------------------|------------------|----------------------|-------------|
| 531341 | — | 20 | 583723 | — | 165,167 | 0-1437261-2 | C8D50PF29023 | 138 |
| 531353 | — | 176 | 583724 | — | 165,167 | 0-1437261-5 | C8D50PF29033 | 138 |
| 531369 | — | 175 | 583725 | — | 165,167 | 0-1437261-6 | C8D50PF29043 | 140 |
| 531370 | — | 175 | 583726 | — | 165,167 | 0-1437262-4 | C6D06PF29013 | 148 |
| 531373 | — | 174,175 | 583752 | — | 72 | 0-1437262-5 | C6D06PF29043 | 148 |
| 531395 | — | 75 | 583753 | — | 72 | 0-1437262-6 | C6D10PF29022 | 146 |
| 531395 | — | 75 | 583754 | — | 72 | 0-1437262-7 | C6D10PF29043 | 148 |
| 531396 | — | 75 | 583755 | — | 72 | 0-1437262-9 | C6D15PF29022 | 146 |
| 531414 | — | 76 | 583760 | — | 171 | 0-1437263-7 | C7D06PF29023 | 142 |
| 531433 | — | 62 | 583764 | — | 162 | 0-1437263-8 | C7D06PF29043 | 144 |
| 531476 | — | 155 | 583853 | — | 155 | 0-1437264-3 | C1D18PF29015 | 131 |
| 531477 | — | 155 | 583854 | — | 156 | 0-1437264-6 | C1D20PF29015 | 131 |
| 531478 | — | 155 | 583857 | — | 162 | 0-1437264-7 | C1D20PF29043 | 131 |
| 531534 | — | 66 | 583859 | — | 161 | 0-1437264-9 | C1D25PF29013 | 131 |
| 531863 | — | 79 | 583861 | — | 157 | 0-1437267-5 | A6D06DS29A3 | 54 |
| 532563 | — | 79 | 583864 | — | 159 | 0-1437267-6 | A6D10DS29A2 | 54 |
| 532600 | — | 23 | 583873 | — | 159 | 0-1437267-7 | A6D10DS29C2 | 54 |
| 536128 | — | 25 | 583875 | — | 155 | 0-1437267-8 | A6D10DS29C3 | 54 |
| 582140 | — | 165,168 | 583879 | — | 156 | 0-1437267-9 | A6D10RA29A | 56 |
| 582147 | — | 165,168 | 583884 | — | 156 | 0-1437268-4 | A7D06DS29C2 | 49 |
| 582264 | — | 165,168 | 583900 | — | 158 | 0-1437268-5 | A7D06RA29C | 52 |
| 582355 | — | 166 | 583975 | — | 170 | 0-1437268-6 | A7D06RA29E | 52 |
| 582370 | — | 179 | 583989 | — | 165 | 0-1437268-7 | A7D10DS29C2 | 49 |
| 582371 | — | 179 | 583990 | — | 165 | 0-1437268-8 | A7D10RA29AM231 | 51 |
| 582372 | — | 179 | 583991 | — | 165 | 0-1437268-9 | A7D10WW29A3 | 49 |
| 582375 | — | 179 | 645115 | — | 87 | 0-1437270-1 | A8D31DS29B3 | 43 |
| 582376 | — | 179 | 645116 | — | 91 | 0-1437270-2 | A8D31DS29C2 | 43 |
| 582377 | — | 179 | 645135 | — | 84 | 0-1437270-3 | A8D31DS29D2 | 43 |
| 582378 | — | 179 | 645142 | — | 92 | 0-1437270-4 | A8D31RA29A | 46 |
| 582379 | — | 179 | 645145 | — | 85 | 0-1437270-6 | A8D31RA29C | 46 |
| 582380 | — | 179 | 645146 | — | 89 | 0-1437270-7 | A8D31RA29CM233 | 47 |
| 582382 | — | 179 | 645147 | — | 86 | 0-1437270-8 | A8D31RA29E | 46 |
| 582383 | — | 179 | 645149 | — | 90 | 0-1437270-9 | A8D31RA29F | 46 |
| 582384 | — | 179 | 645155 | — | 66 | 0-1437274-3 | C7D06DS29C1 | 36 |
| 582385 | — | 179 | 645169 | — | 25 | 0-1437274-5 | C7D15DS29C1 | 36 |
| 582386 | — | 179 | 645200 | — | 176 | 0-1437274-7 | C7D15DS29C3 | 36 |
| 582387 | — | 179 | 645235 | — | 24 | 0-1437274-8 | C7D18DS29C3 | 36 |
| 582388 | — | 179 | 645293 | — | 80,82 | 0-1437274-9 | C7D22DS29C1 | 36 |
| 582500 | — | 165,168, 169 | 645384 | — | 23 | 0-1437276-2 | C8D31DS29A3 | 32 |
| 582501 | — | 171 | 645394 | — | 105 | 0-1437276-3 | C8D31DS29C1 | 31 |
| 582963 | — | 165,168 | 650025 | — | 17,18, 20,21, 22,23, 24,25, 63 | 0-1437276-5 | C8D31DS29C2 | 31 |
| 583167 | — | 165,168 | 650059 | — | 109 | 0-1437276-6 | C8D31DS29C3 | 32 |
| 583204 | — | 165 | 650083 | — | 79 | 0-1437276-8 | C8D31DS29D1 | 31 |
| 583274 | — | 162,171 | 650090 | — | 12 | 0-1437276-9 | C8D31DS29D3 | 32 |
| 583280 | — | 165,168 | 650091 | — | 13 | 1-1437260-4 | C8D06PF29013 | 140 |
| 583294 | — | 166 | 650092 | — | 12 | 1-1437260-5 | C8D06PF29043 | 140 |
| 583361 | — | 165 | 650118 | — | 23 | 1-1437261-1 | C8D60PF29023 | 138 |
| 583407 | — | 66,72 | 650122 | — | 103 | 1-1437262-0 | C6D15PF29023 | 146 |
| 583425 | — | 71 | 650123 | — | 103 | 1-1437262-3 | C6D18PF29013 | 148 |
| 583454 | — | 171 | 650124 | — | 103 | 1-1437262-4 | C6D18PF29023 | 146 |
| 583458 | — | 170 | 650148 | — | 117 | 1-1437262-8 | C6D22PF29013 | 148 |
| 583485 | — | 66,72 | 650149 | — | 117 | 1-1437262-9 | C6D22PF29023 | 146 |
| 583486 | — | 66,72 | 650150 | — | 117 | 1-1437263-4 | C7D18PF29012 | 144 |
| 583533 | — | 66,72 | 650179 | — | 14 | 1-1437263-5 | C7D18PF29013 | 144 |
| 583544 | — | 170 | 650181 | — | 12 | 1-1437263-6 | C7D18PF29022 | 142 |
| 583545 | — | 170 | 650187 | — | 23 | 1-1437263-7 | C7D18PF29023 | 142 |
| 583552 | — | 167 | 650207 | — | 18 | 1-1437263-8 | C7D18PF29043 | 144 |
| 583555 | — | 165 | 650263 | — | 17 | 1-1437263-9 | C7D20PF29012 | 144 |
| 583599 | — | 170 | 650281 | — | 117 | 1-1437264-0 | C1D25PF29015 | 131 |
| 583616 | — | 155 | 650297 | — | 103 | 1-1437264-5 | C1D35PF29013 | 131 |
| 583617 | — | 165,167 | 650616 | — | 25 | 1-1437264-6 | C1D35PF29015 | 131 |
| 583649 | — | 155 | 650718 | — | 20 | 1-1437265-0 | W8D18PF29063 | 136 |
| 583660 | — | 68,72 | 650719 | — | 14 | 1-1437265-2 | W8D22PF29043 | 134 |
| 583661 | — | 179 | 650728 | — | 19 | 1-1437265-3 | W8D25PF29013 | 134 |
| 583671 | — | 70 | 678034 | — | 107 | 1-1437265-4 | W8D25PF29063 | 136 |
| 583679 | — | 68,72 | 678035 | — | 111 | 1-1437265-5 | W8D25PF29093 | 136 |
| 583680 | — | 165,167 | 687775 | — | 155 | 1-1437265-6 | W8D28PF29013 | 134 |
| 583685 | — | 165,167 | 810992 | — | 178 | 1-1437265-7 | W8D28PF29093 | 136 |
| 583691 | — | 162 | 1320420 | — | 185 | 1-1437266-0 | 98230 | 150 |
| 583692 | — | 68,72 | 1338600 | — | 184 | 1-1437266-1 | 98231 | 150 |
| 583694 | — | 66 | 1437266 | — | 151 | 1-1437266-6 | 98236 | 150 |
| 583714 | — | 72 | 1490560 | — | 150 | 1-1437266-8 | 98238 | 150 |
| 583715 | — | 68,72 | 1490563 | — | 150 | 1-1437267-0 | A6D10RA29AM233 | 56 |
| 583717 | — | 157 | 1571235 | — | 109 | 1-1437267-1 | A6D10RA29C | 56 |
| 583718 | — | 157 | | | | 1-1437267-2 | A6D10RA29E | 56 |
| 583722 | — | 165,167 | | | | 1-1437267-3 | A6D10WW29A3 | 54 |
| | | | | | | 1-1437267-4 | A6D12DS29C2 | 54 |

Part Number Cross Reference—Tyco Part Number to Acquired Part Number

| Tyco Part Number | Acquired Part Number | Page Number | Tyco Part Number | Acquired Part Number | Page Number | Tyco Part Number | Acquired Part Number | Page Number |
|------------------|----------------------|-------------|------------------|----------------------|-------------|------------------|----------------------|-------------|
| 1-1437267-5 | A6D12RA29A | 54 | 2-1437263-8 | C7D28PF29013 | 144 | 3-1437260-8 | C8D22PF29013 | 140 |
| 1-1437267-6 | A6D12WW29A3 | 54 | 2-1437263-9 | C7D28PF29023 | 142 | 3-1437262-3 | C6D36PF29013 | 148 |
| 1-1437267-7 | A6D15DS29A2 | 54 | 2-1437264-2 | C1D50PF29013 | 131 | 3-1437262-4 | C6D36PF29023 | 146 |
| 1-1437267-9 | A6D15DS29C2 | 54 | 2-1437264-3 | C1D50PF29015 | 131 | 3-1437262-6 | C6D43PF29013 | 148 |
| 1-1437268-1 | A7D15DS29A2 | 49 | 2-1437264-4 | C1D50PF29017 | 132 | 3-1437262-8 | C6D43PF29022 | 146 |
| 1-1437268-2 | A7D15DS29C2 | 49 | 2-1437265-0 | W8D30PF29013 | 134 | 3-1437262-9 | C6D43PF29023 | 146 |
| 1-1437268-3 | A7D15RA29C | 52 | 2-1437265-1 | W8D30PF29043 | 134 | 3-1437263-1 | C7D30PF29013 | 144 |
| 1-1437268-4 | A7D15RA29E | 52 | 2-1437265-3 | W8D35PF29013 | 134 | 3-1437263-2 | C7D30PF29023 | 142 |
| 1-1437268-5 | A7D15WW29A3 | 49 | 2-1437265-5 | W8D35PF29063 | 136 | 3-1437263-3 | C7D30PF29043 | 144 |
| 1-1437268-6 | A7D18DS29A2 | 49 | 2-1437265-6 | W8D36PF29013 | 134 | 3-1437263-9 | C7D35PF29012 | 144 |
| 1-1437268-7 | A7D18DS29B2 | 49 | 2-1437265-7 | W8D36PF29043 | 134 | 3-1437264-3 | C6D36DS29C3 | 39 |
| 1-1437268-8 | A7D18WW29A3 | 49 | 2-1437265-8 | W8D36PF29093 | 136 | 3-1437264-4 | C9D020PF60048 | 129 |
| 1-1437268-9 | A7D22DS29C2 | 49 | 2-1437267-0 | A6D15RA29E | 56 | 3-1437264-5 | C9D030PF60048 | 129 |
| 1-1437269-9 | A8D10DS29A2 | 43 | 2-1437267-1 | A6D15WW29A3 | 54 | 3-1437264-6 | C9D060PF60048 | 129 |
| 1-1437270-0 | A8D31WW29A3 | 44 | 2-1437267-2 | A6D18DS29A2 | 54 | 3-1437265-0 | W8D40PF29013 | 134 |
| 1-1437270-2 | A8D35DS29A2 | 43 | 2-1437267-3 | A6D18DS29C2 | 54 | 3-1437265-4 | W8D50PF29012 | 134 |
| 1-1437270-3 | A8D35DS29C2 | 43 | 2-1437267-4 | A6D18RA29A | 56 | 3-1437265-5 | W8D50PF29013 | 134 |
| 1-1437270-4 | A8D35RA29C | 46 | 2-1437267-5 | A6D18WW29A3 | 54 | 3-1437265-6 | W8D50PF29043 | 134 |
| 1-1437270-5 | A8D35WW29A3 | 44 | 2-1437267-7 | A6D22DS29A2 | 54 | 3-1437265-7 | W8D50PF29062 | 136 |
| 1-1437270-6 | A8D36DS29A2 | 43 | 2-1437267-8 | A6D22DS29B2 | 54 | 3-1437265-9 | W8D60PF29013 | 134 |
| 1-1437270-7 | A8D36DS29B3 | 43 | 2-1437267-9 | A6D22DS29C2 | 54 | 3-1437266-5 | 98336 | 150 |
| 1-1437270-8 | A8D36DS29C2 | 43 | 2-1437268-1 | A7D25DS29A2 | 49 | 3-1437266-9 | 9836701 | 151 |
| 1-1437270-9 | A8D36DS29C3 | 43 | 2-1437268-2 | A7D25RA29FM232 | 51 | 3-1437267-0 | A6D22RA29A | 56 |
| 1-1437273-3 | C6D06DS29A1 | 39 | 2-1437268-3 | A7D28DS29A2 | 49 | 3-1437267-1 | A6D22RA29C | 56 |
| 1-1437273-4 | C6D06DS29C1 | 39 | 2-1437268-4 | A7D28DS29B2 | 49 | 3-1437267-2 | A6D22WW29A3 | 54 |
| 1-1437273-5 | C6D06DS29C3 | 39 | 2-1437268-5 | A7D28DS29C2 | 49 | 3-1437267-4 | A6D25DS29C2 | 54 |
| 1-1437273-6 | C6D06DS29D1 | 39 | 2-1437268-8 | A7D28RA29AM231 | 51 | 3-1437267-5 | A6D28DS29A2 | 54 |
| 1-1437273-7 | C6D06DS29D3 | 39 | 2-1437268-9 | A7D28RA29C | 52 | 3-1437267-6 | A6D28DS29C2 | 54 |
| 1-1437273-8 | C6D06DS29D4 | 40 | 2-1437269-0 | A8D10DS29C2 | 43 | 3-1437267-7 | A6D28RA29A | 56 |
| 1-1437273-9 | C6D10DS29A1 | 39 | 2-1437269-1 | A8D10RA29A | 46 | 3-1437267-8 | A6D28RA29C | 56 |
| 1-1437274-0 | C7D22DS29D3 | 36 | 2-1437269-2 | A8D10RA29C | 46 | 3-1437267-9 | A6D28RA29E | 56 |
| 1-1437274-1 | C7D25DS29C1 | 36 | 2-1437269-3 | A8D10RA29CM233 | 47 | 3-1437268-0 | A7D28RA29CM232 | 51 |
| 1-1437274-3 | C7D28DS29A1 | 36 | 2-1437269-4 | A8D10RA29E | 46 | 3-1437268-1 | A7D28RA29E | 52 |
| 1-1437274-4 | C7D28DS29A3 | 36 | 2-1437269-5 | A8D10WW29A3 | 44 | 3-1437268-2 | A7D28RA29EM231 | 51 |
| 1-1437274-6 | C7D28DS29B3 | 36 | 2-1437269-7 | A8D12DS29A2 | 43 | 3-1437268-3 | A7D28WW29A3 | 49 |
| 1-1437274-7 | C7D28DS29C1 | 36 | 2-1437269-8 | A8D12DS29C2 | 43 | 3-1437268-4 | A7D30DS29A2 | 49 |
| 1-1437274-8 | C7D28DS29C3 | 36 | 2-1437269-9 | A8D12RA29C | 46 | 3-1437268-5 | A7D30DS29C2 | 49 |
| 1-1437274-9 | C7D28DS29D1 | 36 | 2-1437270-0 | A8D36RA29A | 46 | 3-1437268-6 | A7D30RA29AM231 | 51 |
| 1-1437276-0 | C8D35DS29A1 | 31 | 2-1437270-1 | A8D36RA29C | 46 | 3-1437268-7 | A7D30WW29A3 | 49 |
| 1-1437276-1 | C8D35DS29A3 | 32 | 2-1437270-2 | A8D36RA29E | 46 | 3-1437268-8 | A7D35DS29A2 | 49 |
| 1-1437276-3 | C8D35DS29C3 | 32 | 2-1437270-3 | A8D36RA29EM233 | 47 | 3-1437268-9 | A7D35DS29C2 | 49 |
| 1-1437276-4 | C8D35DS29E3 | 32 | 2-1437270-4 | A8D36WW29A3 | 44 | 3-1437269-0 | A8D12RA29E | 46 |
| 1-1437276-5 | C8D36DS29A3 | 32 | 2-1437270-6 | A8D40DS29A3 | 43 | 3-1437269-1 | A8D12RA29EM233 | 47 |
| 1-1437276-6 | C8D36DS29C1 | 31 | 2-1437270-7 | A8D40DS29C2 | 43 | 3-1437269-2 | A8D12WW29A3 | 44 |
| 1-1437276-8 | C8D36DS29C2 | 31 | 2-1437270-8 | A8D40RA29E | 46 | 3-1437269-8 | A8D15DS29A2 | 43 |
| 1-1437276-9 | C8D36DS29C3 | 32 | 2-1437270-9 | A8D40WW29A3 | 44 | 3-1437269-9 | A8D15DS29C2 | 43 |
| 1437260-4 | 9820302 | 151 | 2-1437273-0 | C6D10DS29B3 | 39 | 3-1437270-0 | A8D43DS29C2 | 43 |
| 1437260-5 | 9820305 | 151 | 2-1437273-1 | C6D10DS29C1 | 39 | 3-1437270-1 | A8D43RA29A | 46 |
| 1437260-6 | 9836301 | 151 | 2-1437273-2 | C6D10DS29C4 | 40 | 3-1437270-2 | A8D43RA29C | 46 |
| 1437260-7 | 9836702 | 151 | 2-1437273-3 | C6D12DS29A4 | 40 | 3-1437270-3 | A8D43RA29E | 46 |
| 1437266-3 | 9818002 | 151 | 2-1437273-4 | C6D12DS29C1 | 39 | 3-1437270-4 | A8D43WW29A3 | 44 |
| 1437266-4 | 9818004 | 151 | 2-1437273-5 | C6D12DS29C3 | 39 | 3-1437270-5 | A8D44DS29A2 | 43 |
| 1437266-5 | 9818005 | 151 | 2-1437273-6 | C6D15DS29A1 | 39 | 3-1437270-6 | A8D44DS29C2 | 43 |
| 1437266-6 | 9820301 | 151 | 2-1437273-7 | C6D15DS29B3 | 39 | 3-1437270-7 | A8D44DS29C3 | 44 |
| 1437266-7 | 9820401 | 151 | 2-1437273-8 | C6D15DS29C1 | 39 | 3-1437270-8 | A8D44RA29CM233 | 47 |
| 1437266-8 | 98206 | 150 | 2-1437273-9 | C6D15DS29C3 | 39 | 3-1437270-9 | A8D50DS29A2 | 43 |
| 1437266-9 | 98224 | 150 | 2-1437274-0 | C7D28DS29D3 | 36 | 3-1437273-0 | C6D15DS29D1 | 39 |
| 1437274-1 | 98293 | 150 | 2-1437274-2 | C7D28DS29E3 | 36 | 3-1437273-1 | C6D15DS29D3 | 39 |
| 2-1437260-0 | C8D10PF29013 | 140 | 2-1437274-3 | C7D28PF29032 | 142 | 3-1437273-2 | C6D18DS29A1 | 39 |
| 2-1437260-2 | C8D10PF29023 | 138 | 2-1437274-4 | C7D30DS29A3 | 36 | 3-1437273-3 | C6D18DS29A3 | 39 |
| 2-1437260-3 | C8D10PF29043 | 140 | 2-1437274-5 | C7D30DS29C3 | 36 | 3-1437273-4 | C6D18DS29C1 | 39 |
| 2-1437260-4 | C8D12PF29013 | 140 | 2-1437274-6 | C7D30DS29C4 | 37 | 3-1437273-5 | C6D22DS29A1 | 39 |
| 2-1437260-5 | C8D12PF29023 | 138 | 2-1437274-7 | C7D30PF29032 | 142 | 3-1437273-6 | C6D22DS29A3 | 39 |
| 2-1437260-6 | C8D12PF29043 | 140 | 2-1437274-8 | C7D31DS29A3 | 36 | 3-1437273-7 | C6D22DS29B4 | 40 |
| 2-1437260-7 | C8D15PF29013 | 140 | 2-1437274-9 | C7D31DS29C3 | 36 | 3-1437273-8 | C6D22DS29C1 | 39 |
| 2-1437260-9 | C8D15PF29023 | 138 | 2-1437275-9 | C8D06DS29C1 | 31 | 3-1437273-9 | C6D22DS29D1 | 39 |
| 2-1437262-0 | C6D22PF29043 | 148 | 2-1437276-0 | C8D36DS29D1 | 31 | 3-1437274-0 | C7D31DS29D3 | 36 |
| 2-1437262-4 | C6D28PF29013 | 148 | 2-1437276-1 | C8D36DS29D2 | 31 | 3-1437274-1 | C7D35DS29C1 | 36 |
| 2-1437262-6 | C6D28PF29023 | 146 | 2-1437276-2 | C8D36DS29D3 | 32 | 3-1437274-2 | C7D36DS29C1 | 36 |
| 2-1437262-7 | C6D28PF29033 | 146 | 2-1437276-3 | C8D36DS29E3 | 32 | 3-1437274-3 | C7D36DS29C3 | 36 |
| 2-1437262-8 | C6D28PF29043 | 148 | 2-1437276-5 | C8D40DS29A1 | 31 | 3-1437274-4 | C7D36DS29D3 | 36 |
| 2-1437262-9 | C6D30PF29023 | 146 | 2-1437276-6 | C8D40DS29A3 | 32 | 3-1437274-6 | C7D40DS29C1 | 36 |
| 2-1437263-0 | C7D20PF29013 | 144 | 2-1437276-7 | C8D40DS29C1 | 31 | 3-1437274-7 | C7D40DS29C3 | 36 |
| 2-1437263-1 | C7D20PF29023 | 142 | 2-1437276-9 | C8D40DS29C3 | 32 | 3-1437274-8 | C7D40DS29D3 | 36 |
| 2-1437263-3 | C7D22PF29013 | 144 | 3-1437260-0 | C8D15PF29043 | 140 | 3-1437274-9 | C7D43DS29C1 | 36 |
| 2-1437263-4 | C7D22PF29023 | 142 | 3-1437260-5 | C8D20PF29023 | 138 | 3-1437275-0 | C8D06DS29C2 | 31 |
| 2-1437263-7 | C7D28PF29012 | 144 | 3-1437260-6 | C8D20PF29043 | 140 | 3-1437275-1 | C8D06DS29C3 | 32 |

Part Number Cross Reference
Tyco Part Number to Acquired Part Number

Part Number Cross Reference—Tyco Part Number to Acquired Part Number

| Tyco Part Number | Acquired Part Number | Page Number | Tyco Part Number | Acquired Part Number | Page Number | Tyco Part Number | Acquired Part Number | Page Number |
|------------------|----------------------|-------------|------------------|----------------------|-------------|------------------|----------------------|-------------|
| 3-1437275-2 | C8D06DS29E1 | 31 | 4-1437274-8 | C7D50DS29D3 | 36 | 6-1437260-9 | C8D31PF29133 | 140 |
| 3-1437275-5 | C8D10DS29A3 | 32 | 4-1437275-0 | C8D10DS29D1 | 31 | 6-1437268-0 | A7D50RA29A | 52 |
| 3-1437275-6 | C8D10DS29C1 | 31 | 4-1437275-1 | C8D10DS29D3 | 32 | 6-1437268-1 | A7D50WW29A3 | 49 |
| 3-1437275-8 | C8D10DS29C2 | 31 | 4-1437275-5 | C8D12DS29C1 | 31 | 6-1437268-2 | A7D50WW29B3 | 49 |
| 3-1437275-9 | C8D10DS29C3 | 32 | 4-1437275-7 | C8D12DS29C3 | 32 | 6-1437269-0 | A8D20WW29A3 | 44 |
| 3-1437276-0 | C8D40DS29D1 | 31 | 4-1437275-8 | C8D12DS29D1 | 31 | 6-1437269-1 | A8D22DS29A2 | 43 |
| 3-1437276-1 | C8D40DS29D3 | 32 | 4-1437276-0 | C8D50DS29C1 | 31 | 6-1437269-2 | A8D22DS29C2 | 43 |
| 3-1437276-2 | C8D43DS29C1 | 31 | 4-1437276-2 | C8D50DS29C3 | 32 | 6-1437269-4 | A8D22RA29A | 46 |
| 3-1437276-3 | C8D43DS29C3 | 32 | 4-1437276-3 | C8D50DS29D1 | 31 | 6-1437269-5 | A8D22RA29C | 46 |
| 3-1437276-4 | C8D43DS29D3 | 32 | 4-1437276-6 | C8D52DS29C1M191 | 29 | 6-1437269-6 | A8D22RA29E | 46 |
| 3-1437276-5 | C8D43DS29E1 | 31 | 4-1437276-7 | C8D52DS29C1M195 | 29 | 6-1437269-7 | A8D22RA29EM233 | 47 |
| 3-1437276-8 | C8D50DS29A1 | 31 | 5-1437260-5 | C8D28PF29023 | 138 | 6-1437269-8 | A8D22WW29A3 | 44 |
| 3-1437276-9 | C8D50DS29A3 | 32 | 5-1437260-6 | C8D30PF29013 | 140 | 6-1437269-9 | A8D25DS29A2 | 43 |
| 4-1437260-0 | C8D22PF29023 | 138 | 5-1437260-8 | C8D30PF29023 | 138 | 6-1437270-0 | A8D65DS29D2 | 43 |
| 4-1437260-1 | C8D22PF29043 | 140 | 5-1437263-0 | C7D43PF29013 | 144 | 6-1437270-6 | A8D28RA29C | 46 |
| 4-1437260-5 | C8D25PF29013 | 140 | 5-1437263-1 | C7D50DS29B3 | 36 | 6-1437273-0 | C6D43DS29A4 | 40 |
| 4-1437260-8 | C8D25PF29023 | 138 | 5-1437263-2 | C7D50PF29013 | 144 | 6-1437273-1 | C6D43DS29B1 | 39 |
| 4-1437260-9 | C8D25PF29033 | 138 | 5-1437263-3 | C7D50PF29033 | 142 | 6-1437273-2 | C6D43DS29C1 | 39 |
| 4-1437262-0 | C6D43PF29043 | 148 | 5-1437263-4 | C7D50PF29043 | 144 | 6-1437273-4 | C6D43DS29C3 | 39 |
| 4-1437263-0 | C7D35PF29013 | 144 | 5-1437263-7 | C7D50PF29143 | 142 | 6-1437273-6 | C6D43DS29D3 | 39 |
| 4-1437263-1 | C7D36PF29012 | 144 | 5-1437267-0 | A6D43DS29C3 | 54 | 6-1437275-1 | C8D18DS29C3 | 32 |
| 4-1437263-2 | C7D36PF29013 | 144 | 5-1437267-1 | A6D43RA29AM233 | 56 | 6-1437275-2 | C8D18DS29D1 | 31 |
| 4-1437263-3 | C7D36PF29033 | 142 | 5-1437267-2 | A6D43RA29C | 56 | 6-1437275-3 | C8D18DS29D3 | 32 |
| 4-1437263-4 | C7D40PF29012 | 144 | 5-1437267-3 | A6D43RA29E | 56 | 6-1437275-4 | C8D18DS29A1 | 31 |
| 4-1437263-5 | C7D40PF29013 | 144 | 5-1437267-4 | A6D43WW29A3 | 54 | 6-1437275-6 | C8D20DS29C1 | 31 |
| 4-1437263-6 | C7D40PF29023 | 142 | 5-1437268-0 | A7D40WW29B3 | 49 | 6-1437275-8 | C8D20DS29C3 | 32 |
| 4-1437263-7 | C7D40PF29032 | 142 | 5-1437268-2 | A7D43DS29A2 | 49 | 6-1437275-9 | C8D20DS29D1 | 31 |
| 4-1437263-8 | C7D40PF29043 | 144 | 5-1437268-3 | A7D43DS29C2 | 49 | 7-1437260-3 | C8D35PF29023 | 138 |
| 4-1437267-0 | A6D28RA29EM233 | 56 | 5-1437268-4 | A7D43WW29A3 | 49 | 7-1437260-7 | C8D36PF29013 | 140 |
| 4-1437267-1 | A6D28WW29A3 | 54 | 5-1437268-5 | A7D50DS29A2 | 49 | 7-1437260-9 | C8D36PF29022 | 138 |
| 4-1437267-2 | A6D36DS29A2 | 54 | 5-1437268-6 | A7D50DS29C2 | 49 | 7-1437269-0 | A8D25DS29B2 | 43 |
| 4-1437267-3 | A6D36DS29A3 | 54 | 5-1437268-8 | A7D50DS29D2 | 49 | 7-1437269-1 | A8D25DS29C2 | 43 |
| 4-1437267-4 | A6D36DS29C2 | 54 | 5-1437269-0 | A8D18DS29C3 | 43 | 7-1437269-2 | A8D25DS29C3 | 43 |
| 4-1437267-5 | A6D36RA29E | 56 | 5-1437269-1 | A8D18RA29C | 46 | 7-1437269-3 | A8D25RA29A | 46 |
| 4-1437267-6 | A6D36WW29A3 | 54 | 5-1437269-2 | A8D18RA29CM233 | 47 | 7-1437269-4 | A8D25RA29AM233 | 47 |
| 4-1437267-7 | A6D43DS29A2 | 54 | 5-1437269-3 | A8D18RA29FM233 | 47 | 7-1437269-5 | A8D25RA29C | 46 |
| 4-1437267-8 | A6D43DS29A3 | 54 | 5-1437269-4 | A8D18WW29A3 | 44 | 7-1437269-6 | A8D25RA29CM233 | 47 |
| 4-1437267-9 | A6D43DS29C2 | 54 | 5-1437269-6 | A8D20DS29B2 | 43 | 7-1437269-7 | A8D25RA29E | 46 |
| 4-1437268-0 | A7D35RA29A | 52 | 5-1437269-7 | A8D20DS29C2 | 43 | 7-1437269-8 | A8D25RA29FM233 | 47 |
| 4-1437268-1 | A7D36DS29A2 | 49 | 5-1437269-8 | A8D20RA29C | 46 | 7-1437269-9 | A8D25WW29A3 | 44 |
| 4-1437268-2 | A7D36DS29C2 | 49 | 5-1437269-9 | A8D20RA29E | 46 | 7-1437275-0 | C8D20DS29D3 | 32 |
| 4-1437268-3 | A7D36RA29AM232 | 51 | 5-1437270-1 | A8D60DS29A2 | 43 | 7-1437275-1 | C8D22DS29A1 | 31 |
| 4-1437268-4 | A7D36WW29A3 | 49 | 5-1437270-2 | A8D60DS29C2 | 43 | 7-1437275-2 | C8D22DS29A3 | 32 |
| 4-1437268-6 | A7D40DS29C2 | 49 | 5-1437270-3 | A8D60DS29C3 | 44 | 7-1437275-3 | C8D22DS29B1 | 31 |
| 4-1437268-8 | A7D40RA29E | 52 | 5-1437270-5 | A8D60RA29A | 46 | 7-1437275-4 | C8D22DS29C1 | 31 |
| 4-1437268-9 | A7D40WW29A3 | 49 | 5-1437270-6 | A8D60WW29A3 | 44 | 7-1437275-6 | C8D22DS29C3 | 32 |
| 4-1437269-0 | A8D15DS29D2 | 43 | 5-1437270-9 | A8D65DS29C2 | 43 | 7-1437275-7 | C8D22DS29D1 | 31 |
| 4-1437269-1 | A8D15RA29C | 46 | 5-1437273-0 | C6D30DS29D3 | 39 | 7-1437275-8 | C8D25DS29A1 | 31 |
| 4-1437269-2 | A8D15RA29CM233 | 47 | 5-1437273-1 | C6D30DS29D4 | 40 | 7-1437275-9 | C8D25DS29A3 | 32 |
| 4-1437269-3 | A8D15RA29E | 46 | 5-1437273-2 | C6D31DS29A1 | 39 | 8-1437260-0 | C8D36PF29023 | 138 |
| 4-1437269-4 | A8D15RA29FM233 | 47 | 5-1437273-3 | C6D36DS29A3 | 39 | 8-1437260-1 | C8D36PF29033 | 138 |
| 4-1437269-5 | A8D15RA29FM233 | 47 | 5-1437273-4 | C6D36DS29C1 | 39 | 8-1437260-2 | C8D36PF29043 | 140 |
| 4-1437269-6 | A8D15WW29A3 | 44 | 5-1437273-5 | C6D36DS29D1 | 39 | 8-1437260-4 | C8D40PF29023 | 138 |
| 4-1437269-8 | A8D18DS29A2 | 43 | 5-1437273-6 | C6D36DS29D4 | 40 | 8-1437260-6 | C8D40PF29043 | 140 |
| 4-1437269-9 | A8D18DS29C2 | 43 | 5-1437273-7 | C6D36DS29E4 | 40 | 8-1437260-9 | C8D43PF29012 | 140 |
| 4-1437270-0 | A8D50DS29C2 | 43 | 5-1437273-8 | C6D40DS29B3 | 39 | 8-1437269-1 | A8D28DS29A2 | 43 |
| 4-1437270-1 | A8D50DS29C3 | 44 | 5-1437273-9 | C6D43DS29A1 | 39 | 8-1437269-2 | A8D28DS29C2 | 43 |
| 4-1437270-2 | A8D50DS29D2 | 43 | 5-1437274-0 | C7D50DS29E1 | 36 | 8-1437269-3 | A8D28RA29E | 46 |
| 4-1437270-4 | A8D50RA29C | 46 | 5-1437274-1 | C8D12DS29E1 | 31 | 8-1437269-5 | A8D30DS29A2 | 43 |
| 4-1437270-5 | A8D50RA29E | 46 | 5-1437275-1 | C8D15DS29B3 | 32 | 8-1437269-6 | A8D30DS29B2 | 43 |
| 4-1437270-6 | A8D50RA29F | 46 | 5-1437275-2 | C8D15DS29C1 | 31 | 8-1437269-7 | A8D30DS29C2 | 43 |
| 4-1437270-7 | A8D50WW29A3 | 44 | 5-1437275-4 | C8D15DS29C3 | 32 | 8-1437269-9 | A8D30DS29C3 | 43 |
| 4-1437273-0 | C6D22DS29D3 | 39 | 5-1437275-5 | C8D15DS29D1 | 31 | 8-1437275-0 | C8D25DS29C1 | 31 |
| 4-1437273-1 | C6D25DS29A3 | 39 | 5-1437275-6 | C8D15DS29D2 | 31 | 8-1437275-2 | C8D25DS29C3 | 32 |
| 4-1437273-2 | C6D25DS29C3 | 39 | 5-1437275-9 | C8D18DS29C1 | 31 | 8-1437275-3 | C8D25DS29D1 | 31 |
| 4-1437273-3 | C6D25DS29D1 | 39 | 5-1437276-1 | C8D60DS29A1 | 31 | 8-1437275-4 | C8D25DS29D3 | 32 |
| 4-1437273-4 | C6D28DS29C1 | 39 | 5-1437276-2 | C8D60DS29A3 | 32 | 8-1437275-5 | C8D28DS29C1 | 31 |
| 4-1437273-6 | C6D28DS29C3 | 39 | 5-1437276-3 | C8D60DS29B3 | 32 | 8-1437275-8 | C8D28DS29C3 | 32 |
| 4-1437273-7 | C6D28DS29D1 | 39 | 5-1437276-4 | C8D60DS29C1 | 31 | 8-1437275-9 | C8D28DS29D1 | 31 |
| 4-1437273-8 | C6D30DS29C1 | 39 | 5-1437276-7 | C8D60DS29D1 | 31 | 9-1437260-0 | C8D43PF29013 | 140 |
| 4-1437273-9 | C6D30DS29C3 | 39 | 5-1437276-8 | C8D60PF29013 | 140 | 9-1437260-2 | C8D43PF29022 | 138 |
| 4-1437274-0 | C7D43DS29C3 | 36 | 6-1437260-1 | C8D30PF29043 | 140 | 9-1437260-3 | C8D43PF29023 | 138 |
| 4-1437274-1 | C7D43DS29D4 | 37 | 6-1437260-4 | C8D30PF29133 | 140 | 9-1437260-9 | C8D50PF29013 | 140 |
| 4-1437274-3 | C7D50DS29A3 | 36 | 6-1437260-5 | C8D31PF29013 | 140 | 9-1437269-0 | A8D30DS29D2 | 43 |
| 4-1437274-4 | C7D50DS29C1 | 36 | 6-1437260-6 | C8D31PF29023 | 138 | 9-1437269-1 | A8D30DS29D2 | 43 |
| 4-1437274-5 | C7D50DS29C3 | 36 | 6-1437260-7 | C8D31PF29043 | 140 | 9-1437269-2 | A8D30RA29C | 46 |
| 4-1437274-6 | C7D50DS29C4 | 37 | 6-1437260-8 | C8D31PF29132 | 140 | 9-1437269-3 | A8D30RA29E | 46 |

Part Number Cross Reference
Tyco Part Number to Acquired Part Number

Part Number Cross Reference—Tyco Part Number to Acquired Part Number

| Tyco Part Number | Acquired Part Number | Page Number |
|------------------|----------------------|-------------|
| 9-1437269-4 | A8D30WW29A3 | 44 |
| 9-1437269-5 | A8D30WW29B3 | 44 |
| 9-1437269-8 | A8D31DS29A2 | 43 |
| 9-1437269-9 | A8D31DS29A3 | 43 |
| 9-1437275-0 | C8D28DS29D3 | 32 |
| 9-1437275-1 | C8D28PF29012 | 140 |
| 9-1437275-3 | C8D30DS29C1 | 31 |
| 9-1437275-5 | C8D30DS29C3 | 32 |
| 9-1437275-6 | C8D30DS29D1 | 31 |
| 9-1437275-7 | C8D30DS29D3 | 32 |
| 9-1437275-8 | C8D30DS29E1 | 31 |
| 9-1437275-9 | C8D30DS29E3 | 32 |
| AP3 | — | 149 |
| BMEP 1K/2K | — | 149 |
| BMEP 3T/5T | — | 149 |
| MEP 6T/12T | — | 149 |
| Model G | — | 184 |
| SAHT | — | 185 |

Part Number Cross Reference—Acquired Part Number to Tyco Part Number

| Acquired Part Number | Tyco Part Number | Page Number |
|----------------------|------------------|-------------|
| 98206 | 1437266-8 | 150 |
| 98224 | 1437266-9 | 150 |
| 98230 | 1-1437266-0 | 150 |
| 98231 | 1-1437266-1 | 150 |
| 98236 | 1-1437266-6 | 150 |
| 98238 | 1-1437266-8 | 150 |
| 98293 | 1437274-1 | 150 |
| 98336 | 3-1437266-5 | 150 |
| 9818001 | — | 151 |
| 9818002 | 1437266-3 | 151 |
| 9818003 | — | 151 |
| 9818004 | 1437266-4 | 151 |
| 9818005 | 1437266-5 | 151 |
| 9820301 | 1437266-6 | 151 |
| 9820302 | 1437260-4 | 151 |
| 9820303 | — | 151 |
| 9820305 | 1437260-5 | 151 |
| 9820401 | 1437266-7 | 151 |
| 9836301 | 1437260-6 | 151 |
| 9836701 | 3-1437266-9 | 151 |
| 9836702 | 1437260-7 | 151 |
| A6D06DS29A2 | — | 54 |
| A6D06DS29A3 | 0-1437267-5 | 54 |
| A6D06DS29B2 | — | 54 |
| A6D06DS29B3 | — | 54 |
| A6D06DS29C2 | — | 54 |
| A6D06DS29C3 | — | 54 |
| A6D06RA29A | — | 56 |
| A6D06RA29AM233 | — | 56 |
| A6D06RA29C | — | 56 |
| A6D06RA29CM233 | — | 56 |
| A6D06RA29E | — | 56 |
| A6D06RA29EM233 | — | 56 |
| A6D06RA29F | — | 56 |
| A6D06RA29FM233 | — | 56 |
| A6D06VW29A3 | — | 54 |
| A6D06VW29B3 | — | 54 |
| A6D10DS29A2 | 0-1437267-6 | 54 |
| A6D10DS29A3 | — | 54 |
| A6D10DS29B2 | — | 54 |
| A6D10DS29B3 | — | 54 |
| A6D10DS29C2 | 0-1437267-7 | 54 |
| A6D10DS29C3 | 0-1437267-8 | 54 |
| A6D10RA29A | 0-1437267-9 | 56 |
| A6D10RA29AM233 | 1-1437267-0 | 56 |
| A6D10RA29C | 1-1437267-1 | 56 |
| A6D10RA29CM233 | — | 56 |
| A6D10RA29E | 1-1437267-2 | 56 |
| A6D10RA29EM233 | — | 56 |
| A6D10RA29F | — | 56 |
| A6D10RA29FM233 | — | 56 |
| A6D10VW29A3 | 1-1437267-3 | 54 |
| A6D10VW29B3 | — | 54 |
| A6D12DS29A2 | — | 54 |
| A6D12DS29A3 | — | 54 |
| A6D12DS29B2 | — | 54 |
| A6D12DS29B3 | — | 54 |
| A6D12DS29C2 | 1-1437267-4 | 54 |
| A6D12DS29C3 | — | 54 |
| A6D12RA29A | 1-1437267-5 | 54 |
| A6D12RA29AM233 | — | 56 |
| A6D12RA29C | — | 56 |
| A6D12RA29CM233 | — | 56 |
| A6D12RA29E | — | 56 |
| A6D12RA29EM233 | — | 56 |
| A6D12RA29F | — | 56 |
| A6D12RA29FM233 | — | 56 |
| A6D12VW29A3 | 1-1437267-6 | 54 |
| A6D12VW29B3 | — | 54 |
| A6D15DS29A2 | 1-1437267-7 | 54 |
| A6D15DS29A3 | — | 54 |
| A6D15DS29B2 | — | 54 |
| A6D15DS29B3 | — | 54 |
| A6D15DS29C2 | 1-1437267-9 | 54 |
| A6D15DS29C3 | — | 54 |
| A6D15RA29A | — | 56 |
| A6D15RA29AM233 | — | 56 |
| A6D15RA29C | — | 56 |
| A6D15RA29CM233 | — | 56 |
| A6D15RA29E | 2-1437267-0 | 56 |
| A6D15RA29EM233 | — | 56 |
| A6D15RA29F | — | 56 |
| A6D15RA29FM233 | — | 56 |
| A6D15VW29A3 | 2-1437267-1 | 54 |
| A6D15VW29B3 | — | 54 |
| A6D18DS29A2 | 2-1437267-2 | 54 |
| A6D18DS29A3 | — | 54 |
| A6D18DS29B2 | — | 54 |

| Acquired Part Number | Tyco Part Number | Page Number |
|----------------------|------------------|-------------|
| A6D18DS29B3 | — | 54 |
| A6D18DS29C2 | 2-1437267-3 | 54 |
| A6D18DS29C3 | — | 54 |
| A6D18RA29A | 2-1437267-4 | 56 |
| A6D18RA29AM233 | — | 56 |
| A6D18RA29C | — | 56 |
| A6D18RA29CM233 | — | 56 |
| A6D18RA29E | — | 56 |
| A6D18RA29EM233 | — | 56 |
| A6D18RA29F | — | 56 |
| A6D18RA29FM233 | — | 56 |
| A6D18VW29A3 | 2-1437267-5 | 54 |
| A6D18VW29B3 | — | 54 |
| A6D22DS29A2 | 2-1437267-7 | 54 |
| A6D22DS29A3 | — | 54 |
| A6D22DS29B2 | 2-1437267-8 | 54 |
| A6D22DS29B3 | — | 54 |
| A6D22DS29C2 | 2-1437267-9 | 54 |
| A6D22DS29C3 | — | 54 |
| A6D22RA29A | 3-1437267-0 | 56 |
| A6D22RA29AM233 | — | 56 |
| A6D22RA29C | 3-1437267-1 | 56 |
| A6D22RA29CM233 | — | 56 |
| A6D22RA29E | — | 56 |
| A6D22RA29EM233 | — | 56 |
| A6D22RA29F | — | 56 |
| A6D22RA29FM233 | — | 56 |
| A6D22VW29A3 | 3-1437267-2 | 54 |
| A6D22VW29B3 | — | 54 |
| A6D25DS29A2 | — | 54 |
| A6D25DS29A3 | — | 54 |
| A6D25DS29B2 | — | 54 |
| A6D25DS29B3 | — | 54 |
| A6D25DS29C2 | 3-1437267-4 | 54 |
| A6D25DS29C3 | — | 54 |
| A6D25RA29A | — | 56 |
| A6D25RA29AM233 | — | 56 |
| A6D25RA29C | — | 56 |
| A6D25RA29CM233 | — | 56 |
| A6D25RA29E | — | 56 |
| A6D25RA29EM233 | — | 56 |
| A6D25RA29F | — | 56 |
| A6D25RA29FM233 | — | 56 |
| A6D25VW29A3 | — | 54 |
| A6D25VW29B3 | — | 54 |
| A6D28DS29A2 | 3-1437267-5 | 54 |
| A6D28DS29A3 | — | 54 |
| A6D28DS29B2 | — | 54 |
| A6D28DS29B3 | — | 54 |
| A6D28DS29C2 | 3-1437267-6 | 54 |
| A6D28DS29C3 | — | 54 |
| A6D28RA29A | 3-1437267-7 | 56 |
| A6D28RA29AM233 | — | 56 |
| A6D28RA29C | 3-1437267-8 | 56 |
| A6D28RA29CM233 | — | 56 |
| A6D28RA29E | 3-1437267-9 | 56 |
| A6D28RA29EM233 | 4-1437267-0 | 56 |
| A6D28RA29F | — | 56 |
| A6D28RA29FM233 | — | 56 |
| A6D28VW29A3 | 4-1437267-1 | 54 |
| A6D28VW29B3 | — | 54 |
| A6D36DS29A2 | 4-1437267-2 | 54 |
| A6D36DS29A3 | 4-1437267-3 | 54 |
| A6D36DS29B2 | — | 54 |
| A6D36DS29B3 | — | 54 |
| A6D36DS29C2 | 4-1437267-4 | 54 |
| A6D36DS29C3 | — | 54 |
| A6D36RA29A | — | 56 |
| A6D36RA29AM233 | — | 56 |
| A6D36RA29C | — | 56 |
| A6D36RA29CM233 | — | 56 |
| A6D36RA29E | 4-1437267-5 | 56 |
| A6D36RA29EM233 | — | 56 |
| A6D36RA29F | — | 56 |
| A6D36RA29FM233 | — | 56 |
| A6D36VW29A3 | 4-1437267-6 | 54 |
| A6D36VW29B3 | — | 54 |
| A6D40RA29A | — | 56 |
| A6D40RA29AM233 | — | 56 |
| A6D40RA29C | — | 56 |
| A6D40RA29CM233 | — | 56 |
| A6D40RA29E | — | 56 |
| A6D40RA29EM233 | — | 56 |
| A6D40RA29F | — | 56 |
| A6D40RA29FM233 | — | 56 |
| A6D40VW29A3 | 4-1437267-7 | 54 |
| A6D40VW29B3 | — | 54 |
| A6D43DS29A2 | 4-1437267-8 | 54 |
| A6D43DS29A3 | — | 54 |
| A6D43DS29B2 | — | 54 |

| Acquired Part Number | Tyco Part Number | Page Number |
|----------------------|------------------|-------------|
| A6D43DS29B3 | — | 54 |
| A6D43DS29C2 | 4-1437267-9 | 54 |
| A6D43DS29C3 | 5-1437267-0 | 54 |
| A6D43RA29A | — | 56 |
| A6D43RA29AM233 | 5-1437267-1 | 56 |
| A6D43RA29C | 5-1437267-2 | 56 |
| A6D43RA29CM233 | — | 56 |
| A6D43RA29E | 5-1437267-3 | 56 |
| A6D43RA29EM233 | — | 56 |
| A6D43RA29F | — | 56 |
| A6D43RA29FM233 | — | 56 |
| A6D43VW29A3 | 5-1437267-4 | 54 |
| A6D43VW29B3 | — | 54 |
| A7D06DS29A2 | — | 49 |
| A7D06DS29B2 | — | 49 |
| A7D06DS29C2 | 0-1437268-4 | 49 |
| A7D06DS29D2 | — | 49 |
| A7D06DS29E2 | — | 49 |
| A7D06RA29A | — | 52 |
| A7D06RA29AM231 | — | 51 |
| A7D06RA29AM232 | — | 51 |
| A7D06RA29C | 0-1437268-5 | 52 |
| A7D06RA29CM231 | — | 51 |
| A7D06RA29CM232 | — | 51 |
| A7D06RA29E | 0-1437268-6 | 52 |
| A7D06RA29EM231 | — | 51 |
| A7D06RA29EM232 | — | 51 |
| A7D06RA29F | — | 52 |
| A7D06RA29FM231 | — | 51 |
| A7D06RA29FM232 | — | 51 |
| A7D06VW29A3 | — | 49 |
| A7D06VW29B3 | — | 49 |
| A7D10DS29A2 | — | 49 |
| A7D10DS29B2 | — | 49 |
| A7D10DS29C2 | 0-1437268-7 | 49 |
| A7D10DS29D2 | — | 49 |
| A7D10DS29E2 | — | 49 |
| A7D10RA29A | — | 52 |
| A7D10RA29AM231 | 0-1437268-8 | 51 |
| A7D10RA29AM232 | — | 51 |
| A7D10RA29C | — | 52 |
| A7D10RA29CM231 | — | 51 |
| A7D10RA29CM232 | — | 51 |
| A7D10RA29E | — | 52 |
| A7D10RA29EM231 | — | 51 |
| A7D10RA29EM232 | — | 51 |
| A7D10RA29F | — | 52 |
| A7D10RA29FM231 | — | 51 |
| A7D10RA29FM232 | — | 51 |
| A7D10VW29A3 | 0-1437268-9 | 49 |
| A7D10VW29B3 | — | 49 |
| A7D15DS29A2 | 1-1437268-1 | 49 |
| A7D15DS29B2 | — | 49 |
| A7D15DS29C2 | 1-1437268-2 | 49 |
| A7D15DS29D2 | — | 49 |
| A7D15DS29E2 | — | 49 |
| A7D15RA29A | — | 52 |
| A7D15RA29AM231 | — | 51 |
| A7D15RA29AM232 | — | 51 |
| A7D15RA29C | 1-1437268-3 | 52 |
| A7D15RA29CM231 | — | 51 |
| A7D15RA29CM232 | — | 51 |
| A7D15RA29E | 1-1437268-4 | 52 |
| A7D15RA29EM231 | — | 51 |
| A7D15RA29EM232 | — | 51 |
| A7D15RA29F | — | 52 |
| A7D15RA29FM231 | — | 51 |
| A7D15RA29FM232 | — | 51 |
| A7D15VW29A3 | 1-1437268-5 | 49 |
| A7D15VW29B3 | — | 49 |
| A7D18DS29A2 | 1-1437268-6 | 49 |
| A7D18DS29B2 | 1-1437268-7 | 49 |
| A7D18DS29C2 | — | 49 |
| A7D18DS29D2 | — | 49 |
| A7D18DS29E2 | — | 49 |
| A7D18RA29A | — | 52 |
| A7D18RA29AM231 | — | 51 |
| A7D18RA29AM232 | — | 51 |
| A7D18RA29C | — | 52 |
| A7D18RA29CM231 | — | 51 |
| A7D18RA29CM232 | — | 51 |
| A7D18RA29E | — | 52 |
| A7D18RA29EM231 | — | 51 |
| A7D18RA29EM232 | — | 51 |
| A7D18RA29F | — | 52 |
| A7D18RA29FM231 | — | 51 |
| A7D18RA29FM232 | — | 51 |
| A7D18VW29A3 | 1-1437268-8 | 49 |

Part Number Cross Reference—Acquired Part Number to Tyco Part Number

| Acquired Part Number | Tyco Part Number | Page Number |
|----------------------|------------------|-------------|
| A7D18VW29B3 | — | 49 |
| A7D22DS29A2 | — | 49 |
| A7D22DS29B2 | — | 49 |
| A7D22DS29C2 | 1-1437268-9 | 49 |
| A7D22RA29A | — | 52 |
| A7D22RA29AM231 | — | 51 |
| A7D22RA29AM232 | — | 51 |
| A7D22RA29C | — | 52 |
| A7D22RA29CM231 | — | 51 |
| A7D22RA29CM232 | — | 51 |
| A7D22RA29E | — | 52 |
| A7D22RA29EM231 | — | 51 |
| A7D22RA29EM232 | — | 51 |
| A7D22RA29F | — | 52 |
| A7D22RA29FM231 | — | 51 |
| A7D22RA29FM232 | — | 51 |
| A7D22VW29A3 | — | 49 |
| A7D22VW29B3 | — | 49 |
| A7D25DS29A2 | 2-1437268-1 | 49 |
| A7D25DS29B2 | — | 49 |
| A7D25DS29C2 | — | 49 |
| A7D25DS29D2 | — | 49 |
| A7D25DS29E2 | — | 49 |
| A7D25RA29A | — | 52 |
| A7D25RA29AM231 | — | 51 |
| A7D25RA29AM232 | — | 51 |
| A7D25RA29C | — | 52 |
| A7D25RA29CM231 | — | 51 |
| A7D25RA29CM232 | — | 51 |
| A7D25RA29E | — | 52 |
| A7D25RA29EM231 | — | 51 |
| A7D25RA29EM232 | — | 51 |
| A7D25RA29F | — | 52 |
| A7D25RA29FM231 | — | 51 |
| A7D25RA29FM232 | 2-1437268-2 | 51 |
| A7D25VW29A3 | — | 49 |
| A7D25VW29B3 | — | 49 |
| A7D25DS29A2 | 2-1437268-3 | 49 |
| A7D25DS29B2 | 2-1437268-4 | 49 |
| A7D25DS29C2 | 2-1437268-5 | 49 |
| A7D28RA29A | — | 52 |
| A7D28RA29AM231 | 2-1437268-8 | 51 |
| A7D28RA29AM232 | — | 51 |
| A7D28RA29C | 2-1437268-9 | 52 |
| A7D28RA29CM231 | — | 51 |
| A7D28RA29CM232 | 3-1437268-0 | 51 |
| A7D28RA29E | 3-1437268-1 | 52 |
| A7D28RA29EM231 | 3-1437268-2 | 51 |
| A7D28RA29EM232 | — | 51 |
| A7D28RA29F | — | 52 |
| A7D28RA29FM231 | — | 51 |
| A7D28RA29FM232 | — | 51 |
| A7D28VW29A3 | 3-1437268-3 | 49 |
| A7D28VW29B3 | — | 49 |
| A7D30DS29A2 | 3-1437268-4 | 49 |
| A7D30DS29B2 | — | 49 |
| A7D30DS29C2 | 3-1437268-5 | 49 |
| A7D30DS29D2 | — | 49 |
| A7D30DS29E2 | — | 49 |
| A7D30RA29A | — | 52 |
| A7D30RA29AM231 | 3-1437268-6 | 51 |
| A7D30RA29AM232 | — | 51 |
| A7D30RA29C | — | 52 |
| A7D30RA29CM231 | — | 51 |
| A7D30RA29CM232 | — | 51 |
| A7D30RA29E | — | 52 |
| A7D30RA29EM231 | — | 51 |
| A7D30RA29EM232 | — | 51 |
| A7D30RA29F | — | 52 |
| A7D30RA29FM231 | — | 51 |
| A7D30RA29FM232 | — | 51 |
| A7D30VW29A3 | 3-1437268-7 | 49 |
| A7D30VW29B3 | — | 49 |
| A7D35DS29A2 | 3-1437268-8 | 49 |
| A7D35DS29B2 | — | 49 |
| A7D35DS29C2 | 3-1437268-9 | 49 |
| A7D35RA29A | 4-1437268-0 | 52 |
| A7D35RA29AM231 | — | 51 |
| A7D35RA29AM232 | — | 51 |
| A7D35RA29C | — | 52 |
| A7D35RA29CM231 | — | 51 |
| A7D35RA29CM232 | — | 51 |
| A7D35RA29E | — | 52 |
| A7D35RA29EM231 | — | 51 |
| A7D35RA29EM232 | — | 51 |
| A7D35RA29F | — | 52 |
| A7D35RA29FM231 | — | 51 |
| A7D35RA29FM232 | — | 51 |

| Acquired Part Number | Tyco Part Number | Page Number |
|----------------------|------------------|-------------|
| A7D35VW29A3 | — | 49 |
| A7D35VW29B3 | — | 49 |
| A7D36DS29A2 | 4-1437268-1 | 49 |
| A7D36DS29B2 | — | 49 |
| A7D36DS29C2 | 4-1437268-2 | 49 |
| A7D36RA29A | — | 52 |
| A7D36RA29AM231 | — | 51 |
| A7D36RA29AM232 | 4-1437268-3 | 51 |
| A7D36RA29C | — | 52 |
| A7D36RA29CM231 | — | 51 |
| A7D36RA29CM232 | — | 51 |
| A7D36RA29E | — | 52 |
| A7D36RA29EM231 | — | 51 |
| A7D36RA29EM232 | — | 51 |
| A7D36RA29F | — | 52 |
| A7D36RA29FM231 | — | 51 |
| A7D36RA29FM232 | — | 51 |
| A7D36VW29A3 | — | 49 |
| A7D36VW29B3 | 4-1437268-4 | 49 |
| A7D36VW29C3 | — | 49 |
| A7D40DS29A2 | — | 49 |
| A7D40DS29B2 | — | 49 |
| A7D40DS29C2 | 4-1437268-6 | 49 |
| A7D40RA29A | — | 52 |
| A7D40RA29AM231 | — | 51 |
| A7D40RA29AM232 | — | 51 |
| A7D40RA29C | — | 52 |
| A7D40RA29CM231 | — | 51 |
| A7D40RA29CM232 | — | 51 |
| A7D40RA29E | 4-1437268-8 | 52 |
| A7D40RA29EM231 | — | 51 |
| A7D40RA29EM232 | — | 51 |
| A7D40RA29F | — | 52 |
| A7D40RA29FM231 | — | 51 |
| A7D40RA29FM232 | — | 51 |
| A7D40VW29A3 | 4-1437268-9 | 49 |
| A7D40VW29B3 | 5-1437268-0 | 49 |
| A7D43DS29A2 | 5-1437268-2 | 49 |
| A7D43DS29B2 | — | 49 |
| A7D43DS29C2 | 5-1437268-3 | 49 |
| A7D43RA29A | — | 52 |
| A7D43RA29AM231 | — | 51 |
| A7D43RA29AM232 | — | 51 |
| A7D43RA29C | — | 52 |
| A7D43RA29CM231 | — | 51 |
| A7D43RA29CM232 | — | 51 |
| A7D43RA29E | — | 52 |
| A7D43RA29EM231 | — | 51 |
| A7D43RA29EM232 | — | 51 |
| A7D43RA29F | — | 52 |
| A7D43RA29FM231 | — | 51 |
| A7D43RA29FM232 | — | 51 |
| A7D43VW29A3 | 5-1437268-4 | 49 |
| A7D43VW29B3 | — | 49 |
| A7D50DS29A2 | 5-1437268-5 | 49 |
| A7D50DS29B2 | — | 49 |
| A7D50DS29C2 | 5-1437268-6 | 49 |
| A7D50DS29D2 | 5-1437268-8 | 49 |
| A7D50RA29A | 6-1437268-0 | 52 |
| A7D50RA29AM231 | — | 51 |
| A7D50RA29AM232 | — | 51 |
| A7D50RA29C | — | 52 |
| A7D50RA29CM231 | — | 51 |
| A7D50RA29CM232 | — | 51 |
| A7D50RA29E | — | 52 |
| A7D50RA29EM231 | — | 51 |
| A7D50RA29EM232 | — | 51 |
| A7D50RA29F | — | 52 |
| A7D50RA29FM231 | — | 51 |
| A7D50RA29FM232 | — | 51 |
| A7D50VW29A3 | 6-1437268-1 | 49 |
| A7D50VW29B3 | 6-1437268-2 | 49 |
| A8D10DS29A2 | 1-1437269-9 | 43 |
| A8D10DS29A3 | — | 43 |
| A8D10DS29B2 | — | 43 |
| A8D10DS29B3 | — | 43 |
| A8D10DS29C2 | 2-1437269-0 | 43 |
| A8D10DS29C3 | — | 43 |
| A8D10DS29D2 | — | 43 |
| A8D10DS29D3 | — | 43 |
| A8D10RA29A | 2-1437269-1 | 46 |
| A8D10RA29AM231 | — | 47 |
| A8D10RA29C | 2-1437269-2 | 46 |
| A8D10RA29CM231 | 2-1437269-3 | 47 |
| A8D10RA29E | 2-1437269-4 | 46 |
| A8D10RA29EM231 | — | 47 |
| A8D10RA29EM232 | — | 47 |
| A8D10RA29F | — | 46 |
| A8D10RA29FM231 | — | 46 |
| A8D10RA29FM232 | — | 47 |

| Acquired Part Number | Tyco Part Number | Page Number |
|----------------------|------------------|-------------|
| A8D10RA29F | — | 46 |
| A8D10RA29FM231 | — | 47 |
| A8D10VW29A3 | 2-1437269-5 | 44 |
| A8D10VW29B3 | — | 44 |
| A8D12DS29A2 | 2-1437269-7 | 43 |
| A8D12DS29A3 | — | 43 |
| A8D12DS29B2 | — | 43 |
| A8D12DS29B3 | — | 43 |
| A8D12DS29C2 | 2-1437269-8 | 43 |
| A8D12DS29C3 | — | 43 |
| A8D12RA29A | — | 46 |
| A8D12RA29AM231 | — | 47 |
| A8D12RA29C | 2-1437269-9 | 46 |
| A8D12RA29CM231 | — | 47 |
| A8D12RA29E | 3-1437269-0 | 46 |
| A8D12RA29EM231 | 3-1437269-1 | 47 |
| A8D12VW29A3 | 3-1437269-2 | 44 |
| A8D12VW29B3 | — | 44 |
| A8D15DS29A2 | 3-1437269-8 | 43 |
| A8D15DS29A3 | — | 43 |
| A8D15DS29B2 | — | 43 |
| A8D15DS29B3 | — | 43 |
| A8D15DS29C2 | 3-1437269-9 | 43 |
| A8D15DS29C3 | — | 43 |
| A8D15DS29D2 | 4-1437269-0 | 43 |
| A8D15DS29D3 | — | 43 |
| A8D15DS29E2 | — | 43 |
| A8D15DS29E3 | — | 43 |
| A8D15RA29A | — | 46 |
| A8D15RA29AM231 | — | 47 |
| A8D15RA29C | 4-1437269-1 | 46 |
| A8D15RA29CM231 | 4-1437269-2 | 47 |
| A8D15RA29E | 4-1437269-3 | 46 |
| A8D15RA29EM231 | 4-1437269-4 | 47 |
| A8D15RA29F | — | 46 |
| A8D15RA29FM231 | 4-1437269-5 | 47 |
| A8D15VW29A3 | 4-1437269-6 | 44 |
| A8D15VW29B3 | — | 44 |
| A8D18DS29A2 | 4-1437269-8 | 43 |
| A8D18DS29A3 | — | 43 |
| A8D18DS29B2 | — | 43 |
| A8D18DS29B3 | — | 43 |
| A8D18DS29C2 | 4-1437269-9 | 43 |
| A8D18DS29C3 | 5-1437269-0 | 43 |
| A8D18DS29D2 | — | 43 |
| A8D18DS29D3 | — | 43 |
| A8D18DS29E2 | — | 43 |
| A8D18DS29E3 | — | 43 |
| A8D18RA29A | — | 46 |
| A8D18RA29AM231 | — | 47 |
| A8D18RA29C | 5-1437269-1 | 46 |
| A8D18RA29CM231 | 5-1437269-2 | 47 |
| A8D18RA29E | — | 46 |
| A8D18RA29EM231 | — | 47 |
| A8D18RA29F | — | 46 |
| A8D18RA29FM231 | 5-1437269-3 | 47 |
| A8D18VW29A3 | 5-1437269-4 | 44 |
| A8D18VW29B3 | — | 44 |
| A8D20DS29A2 | — | 43 |
| A8D20DS29A3 | — | 43 |
| A8D20DS29B2 | 5-1437269-6 | 43 |
| A8D20DS29B3 | — | 43 |
| A8D20DS29C2 | 5-1437269-7 | 43 |
| A8D20DS29C3 | — | 43 |
| A8D20RA29A | — | 46 |
| A8D20RA29AM231 | — | 47 |
| A8D20RA29C | 5-1437269-8 | 46 |
| A8D20RA29CM231 | — | 47 |
| A8D20RA29E | 5-1437269-9 | 46 |
| A8D20RA29EM231 | — | 47 |
| A8D20VW29A3 | 6-1437269-0 | 44 |
| A8D20VW29B3 | — | 44 |
| A8D22DS29A2 | 6-1437269-1 | 43 |
| A8D22DS29A3 | — | 43 |
| A8D22DS29B2 | — | 43 |
| A8D22DS29B3 | — | 43 |
| A8D22DS29C2 | 6-1437269-2 | 43 |
| A8D22DS29C3 | — | 43 |
| A8D22RA29A | 6-1437269-4 | 46 |
| A8D22RA29AM231 | — | 47 |
| A8D22RA29C | 6-1437269-5 | 46 |
| A8D22RA29CM231 | — | 47 |
| A8D22RA29E | 6-1437269-6 | 46 |
| A8D22RA29EM231 | 6-1437269-7 | 47 |
| A8D22VW29A3 | 6-1437269-8 | 44 |
| A8D22VW29B3 | — | 44 |
| A8D25DS29A2 | 6-1437269-9 | 43 |
| A8D25DS29A3 | — | 43 |

Part Number Cross Reference
Acquired Part Number to Tyco Part Number

Part Number Cross Reference—Acquired Part Number to Tyco Part Number

| Acquired Part Number | Tyco Part Number | Page Number |
|----------------------|------------------|-------------|
| A8D25DS29B2 | 7-1437269-0 | 43 |
| A8D25DS29B3 | — | 43 |
| A8D25DS29C2 | 7-1437269-1 | 43 |
| A8D25DS29C3 | 7-1437269-2 | 43 |
| A8D25DS29D2 | — | 43 |
| A8D25DS29D3 | — | 43 |
| A8D25DS29E2 | — | 43 |
| A8D25DS29E3 | — | 43 |
| A8D25RA29A | 7-1437269-3 | 46 |
| A8D25RA29AM233 | 7-1437269-4 | 47 |
| A8D25RA29C | 7-1437269-5 | 46 |
| A8D25RA29CM233 | 7-1437269-6 | 47 |
| A8D25RA29E | 7-1437269-7 | 46 |
| A8D25RA29EM233 | — | 47 |
| A8D25RA29F | — | 46 |
| A8D25RA29FM233 | 7-1437269-8 | 47 |
| A8D25WW29A3 | 7-1437269-9 | 44 |
| A8D25WW29B3 | — | 44 |
| A8D28DS29A2 | 8-1437269-1 | 43 |
| A8D28DS29A3 | — | 43 |
| A8D28DS29B2 | — | 43 |
| A8D28DS29B3 | — | 43 |
| A8D28DS29C2 | 8-1437269-2 | 43 |
| A8D28DS29C3 | — | 43 |
| A8D28RA29A | — | 46 |
| A8D28RA29AM233 | — | 47 |
| A8D28RA29C | 6-1437270-6 | 46 |
| A8D28RA29CM233 | — | 47 |
| A8D28RA29E | 8-1437269-3 | 46 |
| A8D28RA29EM233 | — | 47 |
| A8D28WW29A3 | — | 44 |
| A8D28WW29B3 | — | 44 |
| A8D30DS29A2 | 8-1437269-5 | 43 |
| A8D30DS29A3 | — | 43 |
| A8D30DS29B2 | 8-1437269-6 | 43 |
| A8D30DS29B3 | — | 43 |
| A8D30DS29C2 | 8-1437269-7 | 43 |
| A8D30DS29C3 | 8-1437269-8 | 43 |
| A8D30DS29D2 | 9-1437269-0 | 43 |
| A8D30DS29D3 | 9-1437269-1 | 43 |
| A8D30DS29E2 | — | 43 |
| A8D30DS29E3 | — | 43 |
| A8D30RA29A | — | 46 |
| A8D30RA29AM233 | — | 47 |
| A8D30RA29C | 9-1437269-2 | 46 |
| A8D30RA29CM233 | — | 47 |
| A8D30RA29E | 9-1437269-3 | 46 |
| A8D30RA29EM233 | — | 47 |
| A8D30RA29F | — | 46 |
| A8D30RA29FM233 | — | 47 |
| A8D30WW29A3 | 9-1437269-4 | 44 |
| A8D30WW29B3 | 9-1437269-5 | 44 |
| A8D31DS29A2 | 9-1437269-8 | 43 |
| A8D31DS29A3 | 9-1437269-9 | 43 |
| A8D31DS29B2 | — | 43 |
| A8D31DS29B3 | 0-1437270-1 | 43 |
| A8D31DS29C2 | 0-1437270-2 | 43 |
| A8D31DS29C3 | — | 43 |
| A8D31DS29D2 | 0-1437270-3 | 43 |
| A8D31DS29D3 | — | 43 |
| A8D31DS29E2 | — | 43 |
| A8D31DS29E3 | — | 43 |
| A8D31RA29A | 0-1437270-4 | 46 |
| A8D31RA29AM233 | — | 47 |
| A8D31RA29C | 0-1437270-6 | 46 |
| A8D31RA29CM233 | 0-1437270-7 | 47 |
| A8D31RA29E | 0-1437270-8 | 46 |
| A8D31RA29EM233 | — | 47 |
| A8D31RA29F | 0-1437270-9 | 46 |
| A8D31RA29FM233 | — | 47 |
| A8D31WW29A3 | 1-1437270-0 | 44 |
| A8D31WW29B3 | — | 44 |
| A8D35DS29A2 | 1-1437270-2 | 43 |
| A8D35DS29A3 | — | 43 |
| A8D35DS29B2 | — | 43 |
| A8D35DS29B3 | — | 43 |
| A8D35DS29C2 | 1-1437270-3 | 43 |
| A8D35DS29C3 | — | 43 |
| A8D35RA29A | — | 46 |
| A8D35RA29AM233 | — | 47 |
| A8D35RA29C | 1-1437270-4 | 46 |
| A8D35RA29CM233 | — | 47 |
| A8D35RA29E | — | 46 |
| A8D35RA29EM233 | — | 47 |
| A8D35WW29A3 | 1-1437270-5 | 44 |
| A8D35WW29B3 | — | 44 |
| A8D36DS29A2 | 1-1437270-6 | 43 |

| Acquired Part Number | Tyco Part Number | Page Number |
|----------------------|------------------|-------------|
| A8D36DS29A3 | — | 43 |
| A8D36DS29B2 | — | 43 |
| A8D36DS29B3 | 1-1437270-7 | 43 |
| A8D36DS29C2 | 1-1437270-8 | 43 |
| A8D36DS29C3 | 1-1437270-9 | 43 |
| A8D36RA29A | 2-1437270-0 | 46 |
| A8D36RA29AM233 | — | 47 |
| A8D36RA29C | 2-1437270-1 | 46 |
| A8D36RA29CM233 | — | 47 |
| A8D36RA29E | 2-1437270-2 | 46 |
| A8D36RA29EM233 | 2-1437270-3 | 47 |
| A8D36WW29A3 | 2-1437270-4 | 44 |
| A8D36WW29B3 | — | 44 |
| A8D40DS29A2 | — | 43 |
| A8D40DS29A3 | 2-1437270-6 | 43 |
| A8D40DS29B2 | — | 43 |
| A8D40DS29B3 | — | 43 |
| A8D40DS29C2 | 2-1437270-7 | 43 |
| A8D40DS29C3 | — | 43 |
| A8D40RA29A | — | 46 |
| A8D40RA29AM233 | — | 47 |
| A8D40RA29C | — | 46 |
| A8D40RA29CM233 | — | 47 |
| A8D40RA29E | 2-1437270-8 | 46 |
| A8D40RA29EM233 | — | 47 |
| A8D40WW29A3 | 2-1437270-9 | 44 |
| A8D40WW29B3 | — | 44 |
| A8D43DS29A2 | — | 43 |
| A8D43DS29A3 | — | 43 |
| A8D43DS29B2 | — | 43 |
| A8D43DS29B3 | — | 43 |
| A8D43DS29C2 | 3-1437270-0 | 43 |
| A8D43DS29C3 | — | 43 |
| A8D43RA29A | 3-1437270-1 | 46 |
| A8D43RA29AM233 | — | 47 |
| A8D43RA29C | 3-1437270-2 | 46 |
| A8D43RA29CM233 | — | 47 |
| A8D43RA29E | 3-1437270-3 | 46 |
| A8D43RA29EM233 | — | 47 |
| A8D43WW29A3 | 3-1437270-4 | 44 |
| A8D43WW29B3 | — | 44 |
| A8D44DS29A2 | 3-1437270-5 | 43 |
| A8D44DS29A3 | — | 44 |
| A8D44DS29B2 | — | 43 |
| A8D44DS29B3 | — | 44 |
| A8D44DS29C2 | 3-1437270-6 | 43 |
| A8D44DS29C3 | 3-1437270-7 | 44 |
| A8D44RA29A | — | 46 |
| A8D44RA29AM233 | — | 47 |
| A8D44RA29C | — | 46 |
| A8D44RA29CM233 | 3-1437270-8 | 47 |
| A8D44RA29E | — | 46 |
| A8D44RA29EM233 | — | 47 |
| A8D44WW29A3 | — | 44 |
| A8D44WW29B3 | — | 44 |
| A8D50DS29A2 | 3-1437270-9 | 43 |
| A8D50DS29A3 | — | 44 |
| A8D50DS29B2 | — | 43 |
| A8D50DS29B3 | — | 44 |
| A8D50DS29C2 | 4-1437270-0 | 43 |
| A8D50DS29C3 | 4-1437270-1 | 44 |
| A8D50DS29D2 | 4-1437270-2 | 43 |
| A8D50DS29D3 | — | 44 |
| A8D50DS29E2 | — | 43 |
| A8D50DS29E3 | — | 44 |
| A8D50RA29A | — | 46 |
| A8D50RA29AM233 | — | 47 |
| A8D50RA29C | 4-1437270-4 | 46 |
| A8D50RA29CM233 | — | 47 |
| A8D50RA29E | 4-1437270-5 | 46 |
| A8D50RA29EM233 | — | 47 |
| A8D50RA29F | 4-1437270-6 | 46 |
| A8D50RA29FM233 | — | 47 |
| A8D50WW29A3 | 4-1437270-7 | 44 |
| A8D50WW29B3 | — | 44 |
| A8D60DS29A2 | 5-1437270-1 | 43 |
| A8D60DS29A3 | — | 44 |
| A8D60DS29B2 | — | 43 |
| A8D60DS29B3 | — | 44 |
| A8D60DS29C2 | 5-1437270-2 | 43 |
| A8D60DS29C3 | 5-1437270-3 | 44 |
| A8D60RA29A | 5-1437270-5 | 46 |
| A8D60RA29AM233 | — | 47 |
| A8D60RA29C | — | 46 |
| A8D60RA29CM233 | — | 47 |
| A8D60RA29E | — | 46 |
| A8D60RA29EM233 | — | 47 |
| A8D60WW29A3 | 5-1437270-6 | 44 |

| Acquired Part Number | Tyco Part Number | Page Number |
|----------------------|------------------|-------------|
| A8D60WW29B3 | — | 44 |
| A8D65DS29A2 | — | 43 |
| A8D65DS29A3 | — | 44 |
| A8D65DS29B2 | — | 43 |
| A8D65DS29B3 | — | 44 |
| A8D65DS29C2 | 5-1437270-9 | 43 |
| A8D65DS29C3 | — | 44 |
| A8D65DS29D2 | 6-1437270-0 | 43 |
| A8D65DS29D3 | — | 44 |
| A8D65DS29E2 | — | 43 |
| A8D65DS29E3 | — | 44 |
| A8D65RA29A | — | 46 |
| A8D65RA29AM233 | — | 47 |
| A8D65RA29C | — | 46 |
| A8D65RA29CM233 | — | 47 |
| A8D65RA29E | — | 46 |
| A8D65RA29EM233 | — | 47 |
| A8D65RA29F | — | 46 |
| A8D65RA29FM233 | — | 47 |
| A8D65WW29A3 | — | 44 |
| A8D65WW29B3 | — | 44 |
| C1D18PF29013 | — | 131 |
| C1D18PF29015 | 0-1437264-3 | 131 |
| C1D18PF29017 | — | 132 |
| C1D18PF29043 | — | 131 |
| C1D18PF29045 | — | 131 |
| C1D18PF29047 | — | 132 |
| C1D18PF29133 | — | 131 |
| C1D18PF29135 | — | 131 |
| C1D18PF29137 | — | 132 |
| C1D20PF29013 | — | 131 |
| C1D20PF29015 | 0-1437264-6 | 131 |
| C1D20PF29017 | — | 132 |
| C1D20PF29043 | 0-1437264-7 | 131 |
| C1D20PF29045 | — | 131 |
| C1D20PF29047 | — | 132 |
| C1D20PF29133 | — | 131 |
| C1D20PF29135 | — | 131 |
| C1D20PF29137 | — | 132 |
| C1D22PF29013 | — | 131 |
| C1D22PF29015 | — | 131 |
| C1D22PF29017 | — | 132 |
| C1D22PF29043 | — | 131 |
| C1D22PF29045 | — | 131 |
| C1D22PF29047 | — | 132 |
| C1D22PF29133 | — | 131 |
| C1D22PF29135 | — | 131 |
| C1D22PF29137 | — | 132 |
| C1D25PF29013 | 0-1437264-9 | 131 |
| C1D25PF29015 | 1-1437264-0 | 131 |
| C1D25PF29017 | — | 132 |
| C1D25PF29043 | — | 131 |
| C1D25PF29045 | — | 131 |
| C1D25PF29047 | — | 132 |
| C1D25PF29133 | — | 131 |
| C1D25PF29135 | — | 131 |
| C1D25PF29137 | — | 132 |
| C1D28PF29013 | — | 131 |
| C1D28PF29015 | — | 131 |
| C1D28PF29017 | — | 132 |
| C1D28PF29043 | — | 131 |
| C1D28PF29045 | — | 131 |
| C1D28PF29047 | — | 132 |
| C1D28PF29133 | — | 131 |
| C1D28PF29135 | — | 131 |
| C1D28PF29137 | — | 132 |
| C1D30PF29013 | — | 131 |
| C1D30PF29015 | — | 131 |
| C1D30PF29017 | — | 132 |
| C1D30PF29043 | — | 131 |
| C1D30PF29045 | — | 131 |
| C1D30PF29047 | — | 132 |
| C1D30PF29133 | — | 131 |
| C1D30PF29135 | — | 131 |
| C1D30PF29137 | — | 132 |
| C1D35PF29013 | 1-1437264-5 | 131 |
| C1D35PF29015 | 1-1437264-6 | 131 |
| C1D35PF29017 | — | 132 |
| C1D35PF29043 | — | 131 |
| C1D35PF29045 | — | 131 |
| C1D35PF29047 | — | 132 |
| C1D35PF29133 | — | 131 |
| C1D35PF29135 | — | 131 |
| C1D35PF29137 | — | 132 |
| C1D36PF29013 | — | 131 |
| C1D36PF29015 | — | 131 |
| C1D36PF29017 | — | 132 |
| C1D36PF29043 | — | 131 |

Part Number Cross Reference—Acquired Part Number to Tyco Part Number

| Acquired Part Number | Tyco Part Number | Page Number |
|----------------------|------------------|-------------|
| C1D36PF29045 | — | 131 |
| C1D36PF29047 | — | 132 |
| C1D36PF29133 | — | 131 |
| C1D36PF29135 | — | 131 |
| C1D36PF29137 | — | 132 |
| C1D40PF29013 | — | 131 |
| C1D40PF29015 | — | 131 |
| C1D40PF29017 | — | 132 |
| C1D40PF29043 | — | 131 |
| C1D40PF29045 | — | 131 |
| C1D40PF29047 | — | 132 |
| C1D40PF29133 | — | 131 |
| C1D40PF29135 | — | 131 |
| C1D40PF29137 | — | 132 |
| C1D43PF29013 | — | 131 |
| C1D43PF29015 | — | 131 |
| C1D43PF29017 | — | 132 |
| C1D43PF29043 | — | 131 |
| C1D43PF29045 | — | 131 |
| C1D43PF29047 | — | 132 |
| C1D43PF29133 | — | 131 |
| C1D43PF29135 | — | 131 |
| C1D43PF29137 | — | 132 |
| C1D45PF29013 | — | 131 |
| C1D45PF29015 | — | 131 |
| C1D45PF29017 | — | 132 |
| C1D45PF29043 | — | 131 |
| C1D45PF29045 | — | 131 |
| C1D45PF29047 | — | 132 |
| C1D45PF29133 | — | 131 |
| C1D45PF29135 | — | 131 |
| C1D45PF29137 | — | 132 |
| C1D50PF29013 | 2-1437264-2 | 131 |
| C1D50PF29015 | 2-1437264-3 | 131 |
| C1D50PF29017 | 2-1437264-4 | 132 |
| C1D50PF29043 | — | 131 |
| C1D50PF29045 | — | 131 |
| C1D50PF29047 | — | 132 |
| C1D50PF29133 | — | 131 |
| C1D50PF29135 | — | 131 |
| C1D50PF29137 | — | 132 |
| C1D60PF29013 | — | 131 |
| C1D60PF29015 | — | 131 |
| C1D60PF29017 | — | 132 |
| C1D60PF29043 | — | 131 |
| C1D60PF29045 | — | 131 |
| C1D60PF29047 | — | 132 |
| C1D60PF29133 | — | 131 |
| C1D60PF29135 | — | 131 |
| C1D60PF29137 | — | 132 |
| C6D06DS29A1 | 1-1437273-3 | 39 |
| C6D06DS29A3 | — | 39 |
| C6D06DS29A4 | — | 40 |
| C6D06DS29B1 | — | 39 |
| C6D06DS29B3 | — | 39 |
| C6D06DS29B4 | — | 40 |
| C6D06DS29C1 | 1-1437273-4 | 39 |
| C6D06DS29C3 | 1-1437273-5 | 39 |
| C6D06DS29C4 | — | 40 |
| C6D06DS29D1 | 1-1437273-6 | 39 |
| C6D06DS29D3 | 1-1437273-7 | 39 |
| C6D06DS29D4 | 1-1437273-8 | 40 |
| C6D06DS29E1 | — | 39 |
| C6D06DS29E3 | — | 39 |
| C6D06DS29E4 | — | 40 |
| C6D06PF29012 | — | 148 |
| C6D06PF29013 | 0-1437262-4 | 148 |
| C6D06PF29022 | — | 146 |
| C6D06PF29023 | — | 146 |
| C6D06PF29032 | — | 146 |
| C6D06PF29033 | — | 146 |
| C6D06PF29042 | — | 148 |
| C6D06PF29043 | 0-1437262-5 | 148 |
| C6D06PF29132 | — | 148 |
| C6D06PF29133 | — | 148 |
| C6D06PF29142 | — | 146 |
| C6D06PF29143 | — | 146 |
| C6D06PF29144 | — | 146 |
| C6D06PF29145 | — | 146 |
| C6D10DS29A1 | 1-1437273-9 | 39 |
| C6D10DS29A3 | — | 39 |
| C6D10DS29A4 | — | 40 |
| C6D10DS29B1 | — | 39 |
| C6D10DS29B3 | 2-1437273-0 | 39 |
| C6D10DS29B4 | — | 40 |
| C6D10DS29C1 | 2-1437273-1 | 39 |
| C6D10DS29C3 | — | 39 |
| C6D10DS29C4 | 2-1437273-2 | 40 |
| C6D10DS29D1 | — | 39 |
| C6D10DS29D3 | — | 39 |

| Acquired Part Number | Tyco Part Number | Page Number |
|----------------------|------------------|-------------|
| C6D10DS29D4 | — | 40 |
| C6D10DS29E1 | — | 39 |
| C6D10DS29E3 | — | 39 |
| C6D10DS29E4 | — | 40 |
| C6D10PF29012 | — | 148 |
| C6D10PF29013 | — | 148 |
| C6D10PF29022 | 0-1437262-6 | 146 |
| C6D10PF29023 | — | 146 |
| C6D10PF29032 | — | 146 |
| C6D10PF29033 | — | 146 |
| C6D10PF29042 | — | 148 |
| C6D10PF29043 | 0-1437262-7 | 148 |
| C6D10PF29132 | — | 148 |
| C6D10PF29133 | — | 148 |
| C6D10PF29142 | — | 146 |
| C6D10PF29143 | — | 146 |
| C6D12DS29A1 | — | 39 |
| C6D12DS29A3 | — | 39 |
| C6D12DS29A4 | 2-1437273-3 | 40 |
| C6D12DS29B1 | — | 39 |
| C6D12DS29B3 | — | 39 |
| C6D12DS29B4 | — | 40 |
| C6D12DS29C1 | 2-1437273-4 | 39 |
| C6D12DS29C3 | 2-1437273-5 | 39 |
| C6D12DS29C4 | — | 40 |
| C6D12DS29D1 | — | 39 |
| C6D12DS29D3 | — | 39 |
| C6D12DS29D4 | — | 40 |
| C6D12DS29E1 | — | 39 |
| C6D12DS29E3 | — | 39 |
| C6D12DS29E4 | — | 40 |
| C6D12PF29012 | — | 148 |
| C6D12PF29013 | — | 148 |
| C6D12PF29022 | — | 146 |
| C6D12PF29023 | — | 146 |
| C6D12PF29032 | — | 146 |
| C6D12PF29033 | — | 146 |
| C6D12PF29042 | — | 148 |
| C6D12PF29043 | — | 148 |
| C6D12PF29132 | — | 148 |
| C6D12PF29142 | — | 146 |
| C6D12PF29143 | — | 146 |
| C6D15DS29A1 | 2-1437273-6 | 39 |
| C6D15DS29A3 | — | 39 |
| C6D15DS29A4 | — | 40 |
| C6D15DS29B1 | — | 39 |
| C6D15DS29B3 | 2-1437273-7 | 39 |
| C6D15DS29B4 | — | 40 |
| C6D15DS29C1 | 2-1437273-8 | 39 |
| C6D15DS29C3 | 2-1437273-9 | 39 |
| C6D15DS29C4 | — | 40 |
| C6D15DS29D1 | 3-1437273-0 | 39 |
| C6D15DS29D3 | 3-1437273-1 | 39 |
| C6D15DS29D4 | — | 40 |
| C6D15DS29E1 | — | 39 |
| C6D15DS29E3 | — | 39 |
| C6D15DS29E4 | — | 40 |
| C6D15PF29012 | — | 148 |
| C6D15PF29013 | — | 148 |
| C6D15PF29022 | 0-1437262-9 | 146 |
| C6D15PF29023 | 1-1437262-0 | 146 |
| C6D15PF29032 | — | 146 |
| C6D15PF29033 | — | 146 |
| C6D15PF29042 | — | 148 |
| C6D15PF29043 | — | 148 |
| C6D15PF29132 | — | 148 |
| C6D15PF29133 | — | 148 |
| C6D15PF29142 | — | 146 |
| C6D15PF29143 | — | 146 |
| C6D18DS29A1 | 3-1437273-2 | 39 |
| C6D18DS29A3 | 3-1437273-3 | 39 |
| C6D18DS29A4 | — | 40 |
| C6D18DS29B1 | — | 39 |
| C6D18DS29B3 | — | 39 |
| C6D18DS29B4 | — | 40 |
| C6D18DS29C1 | 3-1437273-4 | 39 |
| C6D18DS29C3 | — | 39 |
| C6D18DS29C4 | — | 40 |
| C6D18DS29D1 | — | 39 |
| C6D18DS29D3 | — | 39 |
| C6D18DS29D4 | — | 40 |
| C6D18DS29E1 | — | 39 |
| C6D18DS29E3 | — | 39 |
| C6D18DS29E4 | — | 40 |
| C6D18PF29012 | — | 148 |
| C6D18PF29013 | 1-1437262-3 | 148 |
| C6D18PF29022 | — | 146 |

| Acquired Part Number | Tyco Part Number | Page Number |
|----------------------|------------------|-------------|
| C6D18PF29023 | 1-1437262-4 | 146 |
| C6D18PF29032 | — | 146 |
| C6D18PF29033 | — | 146 |
| C6D18PF29042 | — | 148 |
| C6D18PF29043 | — | 148 |
| C6D18PF29132 | — | 148 |
| C6D18PF29133 | — | 148 |
| C6D18PF29142 | — | 146 |
| C6D18PF29143 | — | 146 |
| C6D20DS29A1 | — | 39 |
| C6D20DS29A3 | — | 39 |
| C6D20DS29A4 | — | 40 |
| C6D20DS29B1 | — | 39 |
| C6D20DS29B3 | — | 39 |
| C6D20DS29B4 | — | 40 |
| C6D20DS29C1 | — | 39 |
| C6D20DS29C3 | — | 39 |
| C6D20DS29C4 | — | 40 |
| C6D20DS29D1 | — | 39 |
| C6D20DS29D3 | — | 39 |
| C6D20DS29D4 | — | 40 |
| C6D20DS29E1 | — | 39 |
| C6D20DS29E3 | — | 39 |
| C6D20DS29E4 | — | 40 |
| C6D20PF29012 | — | 148 |
| C6D20PF29013 | — | 148 |
| C6D20PF29022 | — | 146 |
| C6D20PF29023 | — | 146 |
| C6D20PF29032 | — | 146 |
| C6D20PF29033 | — | 146 |
| C6D20PF29042 | — | 148 |
| C6D20PF29043 | — | 148 |
| C6D20PF29132 | — | 148 |
| C6D20PF29142 | — | 146 |
| C6D20PF29143 | — | 146 |
| C6D22DS29A1 | 3-1437273-5 | 39 |
| C6D22DS29A3 | 3-1437273-6 | 39 |
| C6D22DS29A4 | — | 40 |
| C6D22DS29B1 | — | 39 |
| C6D22DS29B3 | — | 39 |
| C6D22DS29B4 | 3-1437273-7 | 40 |
| C6D22DS29C1 | 3-1437273-8 | 39 |
| C6D22DS29C3 | — | 39 |
| C6D22DS29C4 | — | 40 |
| C6D22DS29D1 | 3-1437273-9 | 39 |
| C6D22DS29D3 | 4-1437273-0 | 39 |
| C6D22DS29D4 | — | 40 |
| C6D22DS29E1 | — | 39 |
| C6D22DS29E3 | — | 39 |
| C6D22DS29E4 | — | 40 |
| C6D22PF29012 | — | 148 |
| C6D22PF29013 | 1-1437262-8 | 148 |
| C6D22PF29022 | — | 146 |
| C6D22PF29023 | 1-1437262-9 | 146 |
| C6D22PF29032 | — | 146 |
| C6D22PF29033 | — | 146 |
| C6D22PF29042 | — | 148 |
| C6D22PF29043 | 2-1437262-0 | 148 |
| C6D22PF29132 | — | 148 |
| C6D22PF29133 | — | 148 |
| C6D22PF29142 | — | 146 |
| C6D22PF29143 | — | 146 |
| C6D25DS29A1 | — | 39 |
| C6D25DS29A3 | 4-1437273-1 | 39 |
| C6D25DS29A4 | — | 40 |
| C6D25DS29B1 | — | 39 |
| C6D25DS29B3 | — | 39 |
| C6D25DS29B4 | — | 40 |
| C6D25DS29C1 | — | 39 |
| C6D25DS29C3 | 4-1437273-2 | 39 |
| C6D25DS29C4 | — | 40 |
| C6D25DS29D1 | 4-1437273-3 | 39 |
| C6D25DS29D3 | — | 39 |
| C6D25DS29D4 | — | 40 |
| C6D25DS29E1 | — | 39 |
| C6D25DS29E3 | — | 39 |
| C6D25DS29E4 | — | 40 |
| C6D25PF29012 | — | 148 |
| C6D25PF29013 | — | 148 |
| C6D25PF29022 | — | 146 |
| C6D25PF29023 | — | 146 |
| C6D25PF29032 | — | 146 |
| C6D25PF29033 | — | 146 |
| C6D25PF29042 | — | 148 |
| C6D25PF29043 | — | 148 |
| C6D25PF29132 | — | 148 |
| C6D25PF29133 | — | 148 |

Part Number Cross Reference
Acquired Part Number to Tyco Part Number

Part Number Cross Reference—Acquired Part Number to Tyco Part Number

| Acquired Part Number | Tyco Part Number | Page Number | Acquired Part Number | Tyco Part Number | Page Number | Acquired Part Number | Tyco Part Number | Page Number |
|----------------------|------------------|-------------|----------------------|------------------|-------------|----------------------|------------------|-------------|
| C6D25PF29142 | — | 146 | C6D35DS29B4 | — | 40 | C6D43DS29E1 | — | 39 |
| C6D25PF29143 | — | 146 | C6D35DS29C1 | — | 39 | C6D43DS29E3 | — | 39 |
| C6D28DS29A1 | — | 39 | C6D35DS29C3 | — | 39 | C6D43DS29E4 | — | 40 |
| C6D28DS29A3 | — | 39 | C6D35DS29C4 | — | 40 | C6D43PF29012 | — | 148 |
| C6D28DS29A4 | — | 40 | C6D35DS29D1 | — | 39 | C6D43PF29013 | 3-1437262-6 | 148 |
| C6D28DS29B1 | — | 39 | C6D35DS29D3 | — | 39 | C6D43PF29022 | 3-1437262-8 | 146 |
| C6D28DS29B3 | — | 39 | C6D35DS29D4 | — | 40 | C6D43PF29023 | 3-1437262-9 | 146 |
| C6D28DS29B4 | — | 40 | C6D35DS29E1 | — | 39 | C6D43PF29032 | — | 146 |
| C6D28DS29C1 | 4-1437273-4 | 39 | C6D35DS29E3 | — | 39 | C6D43PF29033 | — | 146 |
| C6D28DS29C3 | 4-1437273-6 | 39 | C6D35DS29E4 | — | 40 | C6D43PF29042 | — | 148 |
| C6D28DS29C4 | — | 40 | C6D35PF29012 | — | 148 | C6D43PF29043 | 4-1437262-0 | 148 |
| C6D28DS29D1 | 4-1437273-7 | 39 | C6D35PF29013 | — | 148 | C6D43PF29132 | — | 148 |
| C6D28DS29D3 | — | 39 | C6D35PF29022 | — | 146 | C6D43PF29133 | — | 148 |
| C6D28DS29D4 | — | 40 | C6D35PF29023 | — | 146 | C6D43PF29142 | — | 146 |
| C6D28DS29E1 | — | 39 | C6D35PF29032 | — | 146 | C6D43PF29143 | — | 146 |
| C6D28DS29E3 | — | 39 | C6D35PF29033 | — | 146 | C6D50DS29A1 | — | 39 |
| C6D28DS29E4 | — | 40 | C6D35PF29042 | — | 148 | C6D50DS29A3 | — | 39 |
| C6D28PF29012 | — | 148 | C6D35PF29043 | — | 148 | C6D50DS29A4 | — | 40 |
| C6D28PF29013 | 2-1437262-4 | 148 | C6D35PF29132 | — | 148 | C6D50DS29B1 | — | 39 |
| C6D28PF29022 | — | 146 | C6D35PF29133 | — | 148 | C6D50DS29B3 | — | 39 |
| C6D28PF29023 | 2-1437262-6 | 146 | C6D35PF29142 | — | 146 | C6D50DS29B4 | — | 40 |
| C6D28PF29032 | — | 146 | C6D35PF29143 | — | 146 | C6D50DS29C1 | — | 39 |
| C6D28PF29033 | 2-1437262-7 | 146 | C6D36DS29A1 | — | 39 | C6D50DS29C3 | — | 39 |
| C6D28PF29042 | — | 148 | C6D36DS29A3 | 5-1437273-3 | 39 | C6D50DS29C4 | — | 40 |
| C6D28PF29043 | 2-1437262-8 | 148 | C6D36DS29A4 | — | 40 | C6D50DS29D1 | — | 39 |
| C6D28PF29132 | — | 148 | C6D36DS29B1 | — | 39 | C6D50DS29D3 | — | 39 |
| C6D28PF29133 | — | 148 | C6D36DS29B3 | — | 39 | C6D50DS29D4 | — | 40 |
| C6D28PF29142 | — | 146 | C6D36DS29B4 | — | 40 | C6D50DS29E1 | — | 39 |
| C6D28PF29143 | — | 146 | C6D36DS29C1 | 5-1437273-4 | 39 | C6D50DS29E3 | — | 39 |
| C6D30DS29A1 | — | 39 | C6D36DS29C3 | 3-1437264-3 | 39 | C6D50DS29E4 | — | 40 |
| C6D30DS29A3 | — | 39 | C6D36DS29C4 | — | 40 | C7D06DS29A1 | — | 36 |
| C6D30DS29A4 | — | 40 | C6D36DS29D1 | 5-1437273-5 | 39 | C7D06DS29A3 | — | 36 |
| C6D30DS29B1 | — | 39 | C6D36DS29D3 | — | 39 | C7D06DS29A4 | — | 37 |
| C6D30DS29B3 | — | 39 | C6D36DS29D4 | 5-1437273-6 | 40 | C7D06DS29B1 | — | 36 |
| C6D30DS29B4 | — | 40 | C6D36DS29E1 | — | 39 | C7D06DS29B3 | — | 36 |
| C6D30DS29C1 | 4-1437273-8 | 39 | C6D36DS29E3 | — | 39 | C7D06DS29B4 | — | 37 |
| C6D30DS29C3 | 4-1437273-9 | 39 | C6D36DS29E4 | 5-1437273-7 | 40 | C7D06DS29C1 | 0-1437274-3 | 36 |
| C6D30DS29C4 | — | 40 | C6D36PF29012 | — | 148 | C7D06DS29C3 | — | 36 |
| C6D30DS29D1 | — | 39 | C6D36PF29013 | 3-1437262-3 | 148 | C7D06DS29C4 | — | 37 |
| C6D30DS29D3 | 5-1437273-0 | 39 | C6D36PF29022 | — | 146 | C7D06DS29D1 | — | 36 |
| C6D30DS29D4 | 5-1437273-1 | 40 | C6D36PF29023 | 3-1437262-4 | 146 | C7D06DS29D3 | — | 36 |
| C6D30DS29E1 | — | 39 | C6D36PF29032 | — | 146 | C7D06DS29D4 | — | 37 |
| C6D30DS29E3 | — | 39 | C6D36PF29033 | — | 146 | C7D06DS29E1 | — | 36 |
| C6D30DS29E4 | — | 40 | C6D36PF29042 | — | 148 | C7D06DS29E3 | — | 36 |
| C6D30PF29012 | — | 148 | C6D36PF29043 | — | 148 | C7D06DS29E4 | — | 37 |
| C6D30PF29013 | — | 148 | C6D36PF29132 | — | 148 | C7D06PF29012 | — | 144 |
| C6D30PF29022 | — | 146 | C6D36PF29133 | — | 148 | C7D06PF29013 | — | 144 |
| C6D30PF29023 | 2-1437262-9 | 146 | C6D36PF29142 | — | 146 | C7D06PF29022 | — | 142 |
| C6D30PF29032 | — | 146 | C6D36PF29143 | — | 146 | C7D06PF29023 | 0-1437263-7 | 142 |
| C6D30PF29033 | — | 146 | C6D40DS29A1 | — | 39 | C7D06PF29032 | — | 142 |
| C6D30PF29042 | — | 148 | C6D40DS29A3 | — | 39 | C7D06PF29033 | — | 142 |
| C6D30PF29043 | — | 148 | C6D40DS29A4 | — | 40 | C7D06PF29042 | — | 144 |
| C6D30PF29132 | — | 148 | C6D40DS29B1 | — | 39 | C7D06PF29043 | 0-1437263-8 | 144 |
| C6D30PF29133 | — | 148 | C6D40DS29B3 | 5-1437273-8 | 39 | C7D06PF29132 | — | 144 |
| C6D30PF29142 | — | 146 | C6D40DS29B4 | — | 40 | C7D06PF29133 | — | 144 |
| C6D30PF29143 | — | 146 | C6D40DS29C1 | — | 39 | C7D06PF29142 | — | 142 |
| C6D31DS29A1 | 5-1437273-2 | 39 | C6D40DS29C3 | — | 39 | C7D06PF29143 | — | 142 |
| C6D31DS29A3 | — | 39 | C6D40DS29C4 | — | 40 | C7D10DS29A1 | — | 36 |
| C6D31DS29A4 | — | 40 | C6D40DS29D1 | — | 39 | C7D10DS29A3 | — | 36 |
| C6D31DS29B1 | — | 39 | C6D40DS29D3 | — | 39 | C7D10DS29A4 | — | 37 |
| C6D31DS29B3 | — | 39 | C6D40DS29D4 | — | 40 | C7D10DS29B1 | — | 36 |
| C6D31DS29B4 | — | 40 | C6D40DS29E1 | — | 39 | C7D10DS29B3 | — | 36 |
| C6D31DS29C1 | — | 39 | C6D40DS29E3 | — | 39 | C7D10DS29B4 | — | 37 |
| C6D31DS29C3 | — | 39 | C6D40DS29E4 | — | 40 | C7D10DS29C1 | — | 36 |
| C6D31DS29C4 | — | 40 | C6D40PF29012 | — | 148 | C7D10DS29C3 | — | 36 |
| C6D31DS29D1 | — | 39 | C6D40PF29013 | — | 148 | C7D10DS29C4 | — | 37 |
| C6D31DS29D3 | — | 39 | C6D40PF29022 | — | 146 | C7D10DS29D1 | — | 36 |
| C6D31DS29D4 | — | 40 | C6D40PF29023 | — | 146 | C7D10DS29D3 | — | 36 |
| C6D31DS29E1 | — | 39 | C6D40PF29032 | — | 146 | C7D10DS29D4 | — | 37 |
| C6D31DS29E3 | — | 39 | C6D40PF29033 | — | 146 | C7D10DS29E1 | — | 36 |
| C6D31DS29E4 | — | 40 | C6D40PF29042 | — | 148 | C7D10DS29E3 | — | 36 |
| C6D31PF29012 | — | 148 | C6D40PF29043 | — | 148 | C7D10DS29E4 | — | 37 |
| C6D31PF29013 | — | 148 | C6D40PF29132 | — | 148 | C7D10PF29012 | — | 144 |
| C6D31PF29022 | — | 146 | C6D40PF29133 | — | 148 | C7D10PF29013 | — | 144 |
| C6D31PF29023 | — | 146 | C6D40PF29142 | — | 146 | C7D10PF29022 | — | 142 |
| C6D31PF29042 | — | 148 | C6D40PF29143 | — | 146 | C7D10PF29023 | — | 142 |
| C6D31PF29043 | — | 148 | C6D43DS29A1 | 5-1437273-9 | 39 | C7D10PF29032 | — | 142 |
| C6D31PF29132 | — | 148 | C6D43DS29A3 | — | 39 | C7D10PF29033 | — | 142 |
| C6D31PF29133 | — | 148 | C6D43DS29A4 | 6-1437273-0 | 40 | C7D10PF29042 | — | 144 |
| C6D31PF29142 | — | 146 | C6D43DS29B1 | 6-1437273-1 | 39 | C7D10PF29043 | — | 144 |
| C6D31PF29143 | — | 146 | C6D43DS29B3 | — | 39 | C7D10PF29132 | — | 144 |
| C6D35DS29A1 | — | 39 | C6D43DS29B4 | — | 40 | C7D10PF29133 | — | 144 |
| C6D35DS29A3 | — | 39 | C6D43DS29C1 | 6-1437273-2 | 39 | C7D10PF29142 | — | 142 |
| C6D35DS29A4 | — | 40 | C6D43DS29C3 | 6-1437273-4 | 39 | C7D10PF29143 | — | 142 |
| C6D35DS29B1 | — | 39 | C6D43DS29C4 | — | 40 | C7D12PF29012 | — | 144 |
| C6D35DS29B3 | — | 39 | C6D43DS29D1 | — | 39 | C7D12PF29013 | — | 144 |
| C6D35DS29B4 | — | 40 | C6D43DS29D3 | 6-1437273-6 | 39 | C7D12PF29022 | — | 142 |
| C6D35DS29C1 | — | 39 | C6D43DS29D4 | — | 40 | C7D12PF29023 | — | 142 |

Part Number Cross Reference—Acquired Part Number to Tyco Part Number

| Acquired Part Number | Tyco Part Number | Page Number |
|----------------------|------------------|-------------|
| C7D12PF29032 | — | 142 |
| C7D12PF29033 | — | 142 |
| C7D12PF29042 | — | 144 |
| C7D12PF29043 | — | 144 |
| C7D12PF29132 | — | 144 |
| C7D12PF29133 | — | 144 |
| C7D12PF29142 | — | 142 |
| C7D12PF29143 | — | 142 |
| C7D15DS29A1 | — | 36 |
| C7D15DS29A3 | — | 36 |
| C7D15DS29A4 | — | 37 |
| C7D15DS29B1 | — | 36 |
| C7D15DS29B3 | — | 36 |
| C7D15DS29B4 | — | 37 |
| C7D15DS29C1 | 0-1437274-5 | 36 |
| C7D15DS29C3 | 0-1437274-7 | 36 |
| C7D15DS29C4 | — | 37 |
| C7D15DS29D1 | — | 36 |
| C7D15DS29D3 | — | 36 |
| C7D15DS29D4 | — | 37 |
| C7D15DS29E1 | — | 36 |
| C7D15DS29E3 | — | 36 |
| C7D15DS29E4 | — | 37 |
| C7D15PF29012 | — | 144 |
| C7D15PF29013 | — | 144 |
| C7D15PF29022 | — | 142 |
| C7D15PF29023 | — | 142 |
| C7D15PF29032 | — | 142 |
| C7D15PF29033 | — | 142 |
| C7D15PF29042 | — | 144 |
| C7D15PF29043 | — | 144 |
| C7D15PF29132 | — | 144 |
| C7D15PF29133 | — | 144 |
| C7D15PF29142 | — | 142 |
| C7D15PF29143 | — | 142 |
| C7D18DS29A1 | — | 36 |
| C7D18DS29A3 | — | 36 |
| C7D18DS29A4 | — | 37 |
| C7D18DS29B1 | — | 36 |
| C7D18DS29B3 | — | 36 |
| C7D18DS29B4 | — | 37 |
| C7D18DS29C1 | — | 36 |
| C7D18DS29C3 | 0-1437274-8 | 36 |
| C7D18DS29C4 | — | 37 |
| C7D18DS29D1 | — | 36 |
| C7D18DS29D3 | — | 36 |
| C7D18DS29D4 | — | 37 |
| C7D18DS29E1 | — | 36 |
| C7D18DS29E3 | — | 36 |
| C7D18DS29E4 | — | 37 |
| C7D18PF29012 | 1-1437263-4 | 144 |
| C7D18PF29013 | 1-1437263-5 | 144 |
| C7D18PF29022 | 1-1437263-6 | 142 |
| C7D18PF29023 | 1-1437263-7 | 142 |
| C7D18PF29032 | — | 142 |
| C7D18PF29033 | — | 142 |
| C7D18PF29042 | — | 144 |
| C7D18PF29043 | 1-1437263-8 | 144 |
| C7D18PF29132 | — | 144 |
| C7D18PF29133 | — | 144 |
| C7D18PF29142 | — | 142 |
| C7D18PF29143 | — | 142 |
| C7D20PF29012 | 1-1437263-9 | 144 |
| C7D20PF29013 | 2-1437263-0 | 144 |
| C7D20PF29022 | — | 142 |
| C7D20PF29023 | 2-1437263-1 | 142 |
| C7D20PF29032 | — | 142 |
| C7D20PF29033 | — | 142 |
| C7D20PF29042 | — | 144 |
| C7D20PF29043 | — | 144 |
| C7D20PF29132 | — | 144 |
| C7D20PF29133 | — | 144 |
| C7D20PF29142 | — | 142 |
| C7D20PF29143 | — | 142 |
| C7D22DS29A1 | — | 36 |
| C7D22DS29A3 | — | 36 |
| C7D22DS29A4 | — | 37 |
| C7D22DS29B1 | — | 36 |
| C7D22DS29B3 | — | 36 |
| C7D22DS29B4 | — | 37 |
| C7D22DS29C1 | 0-1437274-9 | 36 |
| C7D22DS29C3 | — | 36 |
| C7D22DS29C4 | — | 37 |
| C7D22DS29D1 | — | 36 |
| C7D22DS29D3 | 1-1437274-0 | 36 |
| C7D22DS29D4 | — | 37 |
| C7D22DS29E1 | — | 36 |
| C7D22DS29E3 | — | 36 |

| Acquired Part Number | Tyco Part Number | Page Number |
|----------------------|------------------|-------------|
| C7D22DS29E4 | — | 37 |
| C7D22PF29012 | — | 144 |
| C7D22PF29013 | 2-1437263-3 | 144 |
| C7D22PF29022 | — | 142 |
| C7D22PF29023 | 2-1437263-4 | 142 |
| C7D22PF29032 | — | 142 |
| C7D22PF29033 | — | 142 |
| C7D22PF29042 | — | 144 |
| C7D22PF29043 | — | 144 |
| C7D22PF29132 | — | 144 |
| C7D22PF29133 | — | 144 |
| C7D22PF29142 | — | 142 |
| C7D22PF29143 | — | 142 |
| C7D25DS29A1 | — | 36 |
| C7D25DS29A3 | — | 36 |
| C7D25DS29A4 | — | 37 |
| C7D25DS29B1 | — | 36 |
| C7D25DS29B3 | — | 36 |
| C7D25DS29B4 | — | 37 |
| C7D25DS29C1 | 1-1437274-1 | 36 |
| C7D25DS29C3 | — | 36 |
| C7D25DS29C4 | — | 37 |
| C7D25DS29D1 | — | 36 |
| C7D25DS29D3 | — | 36 |
| C7D25DS29D4 | — | 37 |
| C7D25DS29E1 | — | 36 |
| C7D25DS29E3 | — | 36 |
| C7D25DS29E4 | — | 37 |
| C7D25PF29012 | — | 144 |
| C7D25PF29013 | — | 144 |
| C7D25PF29022 | — | 142 |
| C7D25PF29023 | — | 142 |
| C7D25PF29032 | — | 142 |
| C7D25PF29033 | — | 142 |
| C7D25PF29042 | — | 144 |
| C7D25PF29132 | — | 144 |
| C7D25PF29133 | — | 144 |
| C7D25PF29142 | — | 142 |
| C7D25PF29143 | — | 142 |
| C7D28DS29A1 | 1-1437274-3 | 36 |
| C7D28DS29A3 | 1-1437274-4 | 36 |
| C7D28DS29A4 | — | 37 |
| C7D28DS29B1 | — | 36 |
| C7D28DS29B3 | 1-1437274-6 | 36 |
| C7D28DS29B4 | — | 37 |
| C7D28DS29C1 | 1-1437274-7 | 36 |
| C7D28DS29C3 | 1-1437274-8 | 36 |
| C7D28DS29C4 | — | 37 |
| C7D28DS29D1 | 1-1437274-9 | 36 |
| C7D28DS29D3 | 2-1437274-0 | 36 |
| C7D28DS29D4 | — | 37 |
| C7D28DS29E1 | — | 36 |
| C7D28DS29E3 | 2-1437274-2 | 36 |
| C7D28DS29E4 | — | 37 |
| C7D28PF29012 | 2-1437263-7 | 144 |
| C7D28PF29013 | 2-1437263-8 | 144 |
| C7D28PF29022 | — | 142 |
| C7D28PF29023 | 2-1437263-9 | 142 |
| C7D28PF29032 | 2-1437274-3 | 142 |
| C7D28PF29033 | — | 142 |
| C7D28PF29042 | — | 144 |
| C7D28PF29043 | — | 144 |
| C7D28PF29132 | — | 144 |
| C7D28PF29133 | — | 144 |
| C7D28PF29142 | — | 142 |
| C7D28PF29143 | — | 142 |
| C7D30DS29A1 | — | 36 |
| C7D30DS29A3 | 2-1437274-4 | 36 |
| C7D30DS29A4 | — | 37 |
| C7D30DS29B1 | — | 36 |
| C7D30DS29B3 | — | 36 |
| C7D30DS29B4 | — | 37 |
| C7D30DS29C1 | — | 36 |
| C7D30DS29C3 | 2-1437274-5 | 36 |
| C7D30DS29C4 | 2-1437274-6 | 37 |
| C7D30DS29D1 | — | 36 |
| C7D30DS29D3 | — | 36 |
| C7D30DS29D4 | — | 37 |
| C7D30DS29E1 | — | 36 |
| C7D30DS29E3 | — | 36 |
| C7D30DS29E4 | — | 37 |
| C7D30PF29012 | — | 144 |
| C7D30PF29013 | 3-1437263-1 | 144 |
| C7D30PF29022 | — | 142 |
| C7D30PF29023 | 3-1437263-2 | 142 |
| C7D30PF29032 | 2-1437274-7 | 142 |
| C7D30PF29033 | — | 142 |

| Acquired Part Number | Tyco Part Number | Page Number |
|----------------------|------------------|-------------|
| C7D30PF29042 | — | 144 |
| C7D30PF29043 | 3-1437263-3 | 144 |
| C7D30PF29132 | — | 144 |
| C7D30PF29133 | — | 144 |
| C7D30PF29142 | — | 142 |
| C7D30PF29143 | — | 142 |
| C7D31DS29A1 | — | 36 |
| C7D31DS29A3 | 2-1437274-8 | 36 |
| C7D31DS29A4 | — | 37 |
| C7D31DS29B1 | — | 36 |
| C7D31DS29B3 | — | 36 |
| C7D31DS29B4 | — | 37 |
| C7D31DS29C1 | — | 36 |
| C7D31DS29C3 | 2-1437274-9 | 36 |
| C7D31DS29C4 | — | 37 |
| C7D31DS29D1 | — | 36 |
| C7D31DS29D3 | 3-1437274-0 | 36 |
| C7D31DS29D4 | — | 37 |
| C7D31DS29E1 | — | 36 |
| C7D31DS29E3 | — | 36 |
| C7D31DS29E4 | — | 37 |
| C7D31PF29012 | — | 144 |
| C7D31PF29013 | — | 144 |
| C7D31PF29022 | — | 142 |
| C7D31PF29023 | — | 142 |
| C7D31PF29032 | — | 142 |
| C7D31PF29033 | — | 142 |
| C7D31PF29042 | — | 144 |
| C7D31PF29043 | — | 144 |
| C7D31PF29132 | — | 144 |
| C7D31PF29142 | — | 142 |
| C7D31PF29143 | — | 142 |
| C7D35DS29A1 | — | 36 |
| C7D35DS29A3 | — | 36 |
| C7D35DS29A4 | — | 37 |
| C7D35DS29B1 | — | 36 |
| C7D35DS29B3 | — | 36 |
| C7D35DS29B4 | — | 37 |
| C7D35DS29C1 | 3-1437274-1 | 36 |
| C7D35DS29C3 | — | 36 |
| C7D35DS29C4 | — | 37 |
| C7D35DS29D1 | — | 36 |
| C7D35DS29D3 | — | 36 |
| C7D35DS29D4 | — | 37 |
| C7D35DS29E1 | — | 36 |
| C7D35DS29E3 | — | 36 |
| C7D35DS29E4 | — | 37 |
| C7D35PF29012 | 3-1437263-9 | 144 |
| C7D35PF29013 | 4-1437263-0 | 144 |
| C7D35PF29022 | — | 142 |
| C7D35PF29023 | — | 142 |
| C7D35PF29032 | — | 142 |
| C7D35PF29033 | — | 142 |
| C7D35PF29042 | — | 144 |
| C7D35PF29043 | — | 144 |
| C7D35PF29132 | — | 144 |
| C7D35PF29142 | — | 142 |
| C7D35PF29143 | — | 142 |
| C7D36DS29A1 | — | 36 |
| C7D36DS29A3 | — | 36 |
| C7D36DS29A4 | — | 37 |
| C7D36DS29B1 | — | 36 |
| C7D36DS29B3 | — | 36 |
| C7D36DS29B4 | — | 37 |
| C7D36DS29C1 | 3-1437274-2 | 36 |
| C7D36DS29C3 | 3-1437274-3 | 36 |
| C7D36DS29C4 | — | 37 |
| C7D36DS29D1 | — | 36 |
| C7D36DS29D3 | 3-1437274-4 | 36 |
| C7D36DS29D4 | — | 37 |
| C7D36DS29E1 | — | 36 |
| C7D36DS29E3 | — | 36 |
| C7D36DS29E4 | — | 37 |
| C7D36PF29012 | 4-1437263-1 | 144 |
| C7D36PF29013 | 4-1437263-2 | 144 |
| C7D36PF29022 | — | 142 |
| C7D36PF29023 | — | 142 |
| C7D36PF29032 | 4-1437263-3 | 142 |
| C7D36PF29042 | — | 144 |
| C7D36PF29043 | — | 144 |
| C7D36PF29132 | — | 144 |
| C7D36PF29133 | — | 144 |
| C7D36PF29142 | — | 142 |
| C7D36PF29143 | — | 142 |
| C7D40DS29A1 | — | 36 |

Part Number Cross Reference
Acquired Part Number to Tyco Part Number

Part Number Cross Reference—Acquired Part Number to Tyco Part Number

| Acquired Part Number | Tyco Part Number | Page Number |
|----------------------|------------------|-------------|
| C7D40DS29A3 | — | 36 |
| C7D40DS29A4 | — | 37 |
| C7D40DS29B1 | — | 36 |
| C7D40DS29B3 | — | 36 |
| C7D40DS29B4 | — | 37 |
| C7D40DS29C1 | 3-1437274-6 | 36 |
| C7D40DS29C3 | 3-1437274-7 | 36 |
| C7D40DS29C4 | — | 37 |
| C7D40DS29D1 | — | 36 |
| C7D40DS29D3 | 3-1437274-8 | 36 |
| C7D40DS29D4 | — | 37 |
| C7D40DS29E1 | — | 36 |
| C7D40DS29E3 | — | 36 |
| C7D40DS29E4 | — | 37 |
| C7D40PF29012 | 4-1437263-4 | 144 |
| C7D40PF29013 | 4-1437263-5 | 144 |
| C7D40PF29022 | — | 142 |
| C7D40PF29023 | 4-1437263-6 | 142 |
| C7D40PF29032 | 4-1437263-7 | 142 |
| C7D40PF29033 | — | 142 |
| C7D40PF29042 | — | 144 |
| C7D40PF29043 | 4-1437263-8 | 144 |
| C7D40PF29132 | — | 144 |
| C7D40PF29133 | — | 144 |
| C7D40PF29142 | — | 142 |
| C7D40PF29143 | — | 142 |
| C7D43DS29A1 | — | 36 |
| C7D43DS29A3 | — | 36 |
| C7D43DS29A4 | — | 37 |
| C7D43DS29B1 | — | 36 |
| C7D43DS29B3 | — | 36 |
| C7D43DS29B4 | — | 37 |
| C7D43DS29C1 | 3-1437274-9 | 36 |
| C7D43DS29C3 | 4-1437274-0 | 36 |
| C7D43DS29C4 | — | 37 |
| C7D43DS29D1 | — | 36 |
| C7D43DS29D3 | — | 36 |
| C7D43DS29D4 | 4-1437274-1 | 37 |
| C7D43DS29E1 | — | 36 |
| C7D43DS29E3 | — | 36 |
| C7D43DS29E4 | — | 37 |
| C7D43PF29012 | — | 144 |
| C7D43PF29013 | 5-1437263-0 | 144 |
| C7D43PF29022 | — | 142 |
| C7D43PF29023 | — | 142 |
| C7D43PF29032 | — | 142 |
| C7D43PF29033 | — | 142 |
| C7D43PF29042 | — | 144 |
| C7D43PF29043 | — | 144 |
| C7D43PF29132 | — | 144 |
| C7D43PF29133 | — | 144 |
| C7D43PF29142 | — | 142 |
| C7D43PF29143 | — | 142 |
| C7D50DS29A1 | — | 36 |
| C7D50DS29A3 | 4-1437274-3 | 36 |
| C7D50DS29A4 | — | 37 |
| C7D50DS29B1 | — | 36 |
| C7D50DS29B3 | 5-1437263-1 | 36 |
| C7D50DS29B4 | — | 37 |
| C7D50DS29C1 | 4-1437274-4 | 36 |
| C7D50DS29C3 | 4-1437274-5 | 36 |
| C7D50DS29C4 | 4-1437274-6 | 37 |
| C7D50DS29D1 | — | 36 |
| C7D50DS29D3 | 4-1437274-8 | 36 |
| C7D50DS29D4 | — | 37 |
| C7D50DS29E1 | 5-1437274-0 | 36 |
| C7D50DS29E3 | — | 36 |
| C7D50DS29E4 | — | 37 |
| C7D50PF29012 | — | 144 |
| C7D50PF29013 | 5-1437263-2 | 144 |
| C7D50PF29022 | — | 142 |
| C7D50PF29023 | — | 142 |
| C7D50PF29032 | — | 142 |
| C7D50PF29033 | 5-1437263-3 | 142 |
| C7D50PF29042 | — | 144 |
| C7D50PF29043 | 5-1437263-4 | 144 |
| C7D50PF29132 | — | 144 |
| C7D50PF29133 | — | 144 |
| C7D50PF29142 | — | 142 |
| C7D50PF29143 | 5-1437263-7 | 142 |
| C8D06DS29A1 | — | 31 |
| C8D06DS29A2 | — | 31 |
| C8D06DS29A3 | — | 32 |
| C8D06DS29B1 | — | 31 |
| C8D06DS29B2 | — | 31 |
| C8D06DS29B3 | — | 32 |
| C8D06DS29C1 | 2-1437275-9 | 31 |
| C8D06DS29C2 | 3-1437275-0 | 31 |

| Acquired Part Number | Tyco Part Number | Page Number |
|----------------------|------------------|-------------|
| C8D06DS29C3 | 3-1437275-1 | 32 |
| C8D06DS29D1 | — | 31 |
| C8D06DS29D2 | — | 31 |
| C8D06DS29D3 | — | 32 |
| C8D06DS29E1 | 3-1437275-2 | 31 |
| C8D06DS29E2 | — | 31 |
| C8D06DS29E3 | — | 32 |
| C8D06PF29012 | — | 140 |
| C8D06PF29013 | 1-1437260-4 | 140 |
| C8D06PF29022 | — | 138 |
| C8D06PF29023 | — | 138 |
| C8D06PF29032 | — | 138 |
| C8D06PF29033 | — | 138 |
| C8D06PF29042 | — | 140 |
| C8D06PF29043 | 1-1437260-5 | 140 |
| C8D06PF29132 | — | 140 |
| C8D06PF29133 | — | 140 |
| C8D06PF29142 | — | 138 |
| C8D06PF29143 | — | 138 |
| C8D10DS29A1 | — | 31 |
| C8D10DS29A2 | — | 31 |
| C8D10DS29A3 | 3-1437275-5 | 32 |
| C8D10DS29B1 | — | 31 |
| C8D10DS29B2 | — | 31 |
| C8D10DS29B3 | — | 32 |
| C8D10DS29C1 | 3-1437275-6 | 31 |
| C8D10DS29C2 | 3-1437275-8 | 31 |
| C8D10DS29C3 | 3-1437275-9 | 32 |
| C8D10DS29D1 | 4-1437275-0 | 31 |
| C8D10DS29D2 | — | 31 |
| C8D10DS29D3 | 4-1437275-1 | 32 |
| C8D10DS29E1 | — | 31 |
| C8D10DS29E2 | — | 31 |
| C8D10DS29E3 | — | 32 |
| C8D10PF29012 | — | 140 |
| C8D10PF29013 | 2-1437260-0 | 140 |
| C8D10PF29022 | — | 138 |
| C8D10PF29023 | 2-1437260-2 | 138 |
| C8D10PF29032 | — | 138 |
| C8D10PF29033 | — | 138 |
| C8D10PF29042 | — | 140 |
| C8D10PF29043 | 2-1437260-3 | 140 |
| C8D10PF29132 | — | 140 |
| C8D10PF29133 | — | 140 |
| C8D10PF29142 | — | 138 |
| C8D10PF29143 | — | 138 |
| C8D12DS29A1 | — | 31 |
| C8D12DS29A2 | — | 31 |
| C8D12DS29A3 | — | 32 |
| C8D12DS29B1 | — | 31 |
| C8D12DS29B2 | — | 31 |
| C8D12DS29B3 | — | 32 |
| C8D12DS29C1 | 4-1437275-5 | 31 |
| C8D12DS29C2 | — | 31 |
| C8D12DS29C3 | 4-1437275-7 | 32 |
| C8D12DS29D1 | 4-1437275-8 | 31 |
| C8D12DS29D2 | — | 31 |
| C8D12DS29D3 | — | 32 |
| C8D12DS29E1 | 5-1437274-1 | 31 |
| C8D12DS29E2 | — | 31 |
| C8D12DS29E3 | — | 32 |
| C8D12PF29012 | — | 140 |
| C8D12PF29013 | 2-1437260-4 | 140 |
| C8D12PF29022 | — | 138 |
| C8D12PF29023 | 2-1437260-5 | 138 |
| C8D12PF29032 | — | 138 |
| C8D12PF29033 | — | 138 |
| C8D12PF29042 | — | 140 |
| C8D12PF29043 | 2-1437260-6 | 140 |
| C8D12PF29132 | — | 140 |
| C8D12PF29133 | — | 140 |
| C8D12PF29142 | — | 138 |
| C8D12PF29143 | — | 138 |
| C8D15DS29A1 | — | 31 |
| C8D15DS29A2 | — | 31 |
| C8D15DS29A3 | — | 32 |
| C8D15DS29B1 | — | 31 |
| C8D15DS29B2 | — | 31 |
| C8D15DS29B3 | 5-1437275-1 | 32 |
| C8D15DS29C1 | 5-1437275-2 | 31 |
| C8D15DS29C2 | — | 31 |
| C8D15DS29C3 | 5-1437275-4 | 32 |
| C8D15DS29D1 | 5-1437275-5 | 31 |
| C8D15DS29D2 | 5-1437275-6 | 31 |
| C8D15DS29D3 | — | 32 |
| C8D15DS29E1 | — | 31 |
| C8D15DS29E2 | — | 31 |
| C8D15DS29E3 | — | 32 |

| Acquired Part Number | Tyco Part Number | Page Number |
|----------------------|------------------|-------------|
| C8D15PF29012 | — | 140 |
| C8D15PF29013 | 2-1437260-7 | 140 |
| C8D15PF29022 | — | 138 |
| C8D15PF29023 | 2-1437260-9 | 138 |
| C8D15PF29032 | — | 138 |
| C8D15PF29033 | — | 138 |
| C8D15PF29042 | — | 140 |
| C8D15PF29043 | 3-1437260-0 | 140 |
| C8D15PF29132 | — | 140 |
| C8D15PF29133 | — | 140 |
| C8D15PF29142 | — | 138 |
| C8D15PF29143 | — | 138 |
| C8D18DS29A1 | — | 31 |
| C8D18DS29A2 | — | 31 |
| C8D18DS29A3 | — | 32 |
| C8D18DS29B1 | — | 31 |
| C8D18DS29B2 | — | 31 |
| C8D18DS29B3 | — | 32 |
| C8D18DS29C1 | 5-1437275-9 | 31 |
| C8D18DS29C2 | — | 31 |
| C8D18DS29C3 | 6-1437275-1 | 32 |
| C8D18DS29D1 | 6-1437275-2 | 31 |
| C8D18DS29D2 | — | 31 |
| C8D18DS29D3 | 6-1437275-3 | 32 |
| C8D18DS29E1 | 6-1437275-4 | 31 |
| C8D18DS29E2 | — | 31 |
| C8D18DS29E3 | — | 32 |
| C8D20DS29A1 | — | 31 |
| C8D20DS29A2 | — | 31 |
| C8D20DS29A3 | — | 32 |
| C8D20DS29B1 | — | 31 |
| C8D20DS29B2 | — | 31 |
| C8D20DS29B3 | — | 32 |
| C8D20DS29C1 | 6-1437275-6 | 31 |
| C8D20DS29C2 | — | 31 |
| C8D20DS29C3 | 6-1437275-8 | 32 |
| C8D20DS29D1 | 6-1437275-9 | 31 |
| C8D20DS29D2 | — | 31 |
| C8D20DS29D3 | 7-1437275-0 | 32 |
| C8D20DS29E1 | — | 31 |
| C8D20DS29E2 | — | 31 |
| C8D20DS29E3 | — | 32 |
| C8D20PF29012 | — | 140 |
| C8D20PF29013 | — | 140 |
| C8D20PF29022 | — | 138 |
| C8D20PF29023 | 3-1437260-5 | 138 |
| C8D20PF29032 | — | 138 |
| C8D20PF29033 | — | 138 |
| C8D20PF29042 | — | 140 |
| C8D20PF29043 | 3-1437260-6 | 140 |
| C8D20PF29132 | — | 140 |
| C8D20PF29133 | — | 140 |
| C8D20PF29142 | — | 138 |
| C8D20PF29143 | — | 138 |
| C8D22DS29A1 | — | 31 |
| C8D22DS29A2 | — | 31 |
| C8D22DS29A3 | 7-1437275-2 | 32 |
| C8D22DS29B1 | 7-1437275-3 | 31 |
| C8D22DS29B2 | — | 31 |
| C8D22DS29B3 | — | 32 |
| C8D22DS29C1 | 7-1437275-4 | 31 |
| C8D22DS29C2 | — | 31 |
| C8D22DS29C3 | 7-1437275-6 | 32 |
| C8D22DS29D1 | 7-1437275-7 | 31 |
| C8D22DS29D2 | — | 31 |
| C8D22DS29D3 | — | 32 |
| C8D22DS29E1 | — | 31 |
| C8D22DS29E2 | — | 31 |
| C8D22DS29E3 | — | 32 |
| C8D22PF29012 | — | 140 |
| C8D22PF29013 | 3-1437260-8 | 140 |
| C8D22PF29022 | — | 138 |
| C8D22PF29023 | 4-1437260-0 | 138 |
| C8D22PF29032 | — | 138 |
| C8D22PF29033 | — | 138 |
| C8D22PF29042 | — | 140 |
| C8D22PF29043 | 4-1437260-1 | 140 |
| C8D22PF29132 | — | 140 |
| C8D22PF29133 | — | 140 |
| C8D22PF29142 | — | 138 |
| C8D22PF29143 | — | 138 |
| C8D25DS29A1 | 7-1437275-8 | 31 |
| C8D25DS29A2 | — | 31 |
| C8D25DS29A3 | 7-1437275-9 | 32 |
| C8D25DS29B1 | — | 31 |
| C8D25DS29B2 | — | 31 |
| C8D25DS29B3 | — | 32 |
| C8D25DS29C1 | 8-1437275-0 | 31 |

Part Number Cross Reference—Acquired Part Number to Tyco Part Number

| Acquired Part Number | Tyco Part Number | Page Number |
|----------------------|------------------|-------------|
| C8D25DS29C2 | — | 31 |
| C8D25DS29C3 | 8-1437275-2 | 32 |
| C8D25DS29D1 | 8-1437275-3 | 31 |
| C8D25DS29D2 | — | 31 |
| C8D25DS29D3 | 8-1437275-4 | 32 |
| C8D25DS29E1 | — | 31 |
| C8D25DS29E2 | — | 31 |
| C8D25DS29E3 | — | 32 |
| C8D25PF29012 | — | 140 |
| C8D25PF29013 | 4-1437260-5 | 140 |
| C8D25PF29022 | — | 138 |
| C8D25PF29023 | 4-1437260-8 | 138 |
| C8D25PF29032 | — | 138 |
| C8D25PF29033 | 4-1437260-9 | 138 |
| C8D25PF29042 | — | 140 |
| C8D25PF29043 | — | 140 |
| C8D25PF29132 | — | 140 |
| C8D25PF29133 | — | 140 |
| C8D25PF29142 | — | 138 |
| C8D25PF29143 | — | 138 |
| C8D28DS29A1 | — | 31 |
| C8D28DS29A2 | — | 31 |
| C8D28DS29A3 | — | 32 |
| C8D28DS29B1 | — | 31 |
| C8D28DS29B2 | — | 31 |
| C8D28DS29B3 | — | 32 |
| C8D28DS29C1 | 8-1437275-5 | 31 |
| C8D28DS29C2 | — | 31 |
| C8D28DS29C3 | 8-1437275-8 | 32 |
| C8D28DS29D1 | 8-1437275-9 | 31 |
| C8D28DS29D2 | — | 31 |
| C8D28DS29D3 | 9-1437275-0 | 32 |
| C8D28DS29E1 | — | 31 |
| C8D28DS29E2 | — | 31 |
| C8D28DS29E3 | — | 32 |
| C8D28PF29012 | 9-1437275-1 | 140 |
| C8D28PF29013 | — | 140 |
| C8D28PF29022 | — | 138 |
| C8D28PF29023 | 5-1437260-5 | 138 |
| C8D28PF29032 | — | 138 |
| C8D28PF29033 | — | 138 |
| C8D28PF29042 | — | 140 |
| C8D28PF29043 | — | 140 |
| C8D28PF29132 | — | 140 |
| C8D28PF29133 | — | 140 |
| C8D28PF29142 | — | 138 |
| C8D28PF29143 | — | 138 |
| C8D30DS29A1 | — | 31 |
| C8D30DS29A2 | — | 31 |
| C8D30DS29A3 | — | 32 |
| C8D30DS29B1 | — | 31 |
| C8D30DS29B2 | — | 31 |
| C8D30DS29B3 | — | 32 |
| C8D30DS29C1 | 9-1437275-3 | 31 |
| C8D30DS29C2 | — | 31 |
| C8D30DS29C3 | 9-1437275-5 | 32 |
| C8D30DS29D1 | 9-1437275-6 | 31 |
| C8D30DS29D2 | — | 31 |
| C8D30DS29D3 | 9-1437275-7 | 32 |
| C8D30DS29E1 | 9-1437275-8 | 31 |
| C8D30DS29E2 | — | 31 |
| C8D30DS29E3 | 9-1437275-9 | 32 |
| C8D30PF29012 | — | 140 |
| C8D30PF29013 | 5-1437260-6 | 140 |
| C8D30PF29022 | — | 138 |
| C8D30PF29023 | 5-1437260-8 | 138 |
| C8D30PF29032 | — | 138 |
| C8D30PF29033 | — | 138 |
| C8D30PF29042 | — | 140 |
| C8D30PF29043 | 6-1437260-1 | 140 |
| C8D30PF29132 | — | 140 |
| C8D30PF29133 | 6-1437260-4 | 140 |
| C8D30PF29142 | — | 138 |
| C8D30PF29143 | — | 138 |
| C8D31DS29A1 | — | 31 |
| C8D31DS29A2 | — | 31 |
| C8D31DS29A3 | 0-1437276-2 | 32 |
| C8D31DS29B1 | — | 31 |
| C8D31DS29B2 | — | 31 |
| C8D31DS29B3 | — | 32 |
| C8D31DS29C1 | 0-1437276-3 | 31 |
| C8D31DS29C2 | 0-1437276-5 | 31 |
| C8D31DS29C3 | 0-1437276-6 | 32 |
| C8D31DS29D1 | 0-1437276-8 | 31 |
| C8D31DS29D2 | — | 31 |
| C8D31DS29D3 | 0-1437276-9 | 32 |
| C8D31DS29E1 | — | 31 |
| C8D31DS29E2 | — | 31 |

| Acquired Part Number | Tyco Part Number | Page Number |
|----------------------|------------------|-------------|
| C8D31DS29E3 | — | 32 |
| C8D31PF29012 | — | 140 |
| C8D31PF29013 | 6-1437260-5 | 140 |
| C8D31PF29022 | — | 138 |
| C8D31PF29023 | 6-1437260-6 | 138 |
| C8D31PF29032 | — | 138 |
| C8D31PF29033 | — | 138 |
| C8D31PF29042 | — | 140 |
| C8D31PF29043 | 6-1437260-7 | 140 |
| C8D31PF29132 | 6-1437260-8 | 140 |
| C8D31PF29133 | 6-1437260-9 | 140 |
| C8D31PF29142 | — | 138 |
| C8D31PF29143 | — | 138 |
| C8D35DS29A1 | 1-1437276-0 | 31 |
| C8D35DS29A2 | — | 31 |
| C8D35DS29A3 | 1-1437276-1 | 32 |
| C8D35DS29B1 | — | 31 |
| C8D35DS29B2 | — | 31 |
| C8D35DS29B3 | — | 32 |
| C8D35DS29C1 | — | 31 |
| C8D35DS29C2 | — | 31 |
| C8D35DS29C3 | 1-1437276-3 | 32 |
| C8D35DS29D1 | — | 31 |
| C8D35DS29D2 | — | 31 |
| C8D35DS29D3 | — | 32 |
| C8D35DS29E1 | — | 31 |
| C8D35DS29E2 | — | 31 |
| C8D35DS29E3 | 1-1437276-4 | 32 |
| C8D35PF29012 | — | 140 |
| C8D35PF29013 | — | 140 |
| C8D35PF29022 | — | 138 |
| C8D35PF29023 | 7-1437260-3 | 138 |
| C8D35PF29032 | — | 138 |
| C8D35PF29033 | — | 138 |
| C8D35PF29042 | — | 140 |
| C8D35PF29043 | — | 140 |
| C8D35PF29132 | — | 140 |
| C8D35PF29133 | — | 140 |
| C8D35PF29142 | — | 138 |
| C8D35PF29143 | — | 138 |
| C8D36DS29A1 | — | 31 |
| C8D36DS29A2 | — | 31 |
| C8D36DS29A3 | 1-1437276-5 | 32 |
| C8D36DS29B1 | — | 31 |
| C8D36DS29B2 | — | 31 |
| C8D36DS29B3 | — | 32 |
| C8D36DS29C1 | 1-1437276-6 | 31 |
| C8D36DS29C2 | 1-1437276-8 | 31 |
| C8D36DS29C3 | 1-1437276-9 | 32 |
| C8D36DS29D1 | 2-1437276-0 | 31 |
| C8D36DS29D2 | 2-1437276-1 | 31 |
| C8D36DS29D3 | 2-1437276-2 | 32 |
| C8D36DS29E1 | — | 31 |
| C8D36DS29E2 | — | 31 |
| C8D36DS29E3 | 2-1437276-3 | 32 |
| C8D36PF29012 | — | 140 |
| C8D36PF29013 | 7-1437260-7 | 140 |
| C8D36PF29022 | 7-1437260-9 | 138 |
| C8D36PF29023 | 8-1437260-0 | 138 |
| C8D36PF29032 | — | 138 |
| C8D36PF29033 | 8-1437260-1 | 138 |
| C8D36PF29042 | — | 140 |
| C8D36PF29043 | 8-1437260-2 | 140 |
| C8D36PF29132 | — | 140 |
| C8D36PF29133 | — | 140 |
| C8D36PF29142 | — | 138 |
| C8D36PF29143 | — | 138 |
| C8D40DS29A1 | 2-1437276-5 | 31 |
| C8D40DS29A2 | — | 31 |
| C8D40DS29A3 | 2-1437276-6 | 32 |
| C8D40DS29B1 | — | 31 |
| C8D40DS29B2 | — | 31 |
| C8D40DS29B3 | — | 32 |
| C8D40DS29C1 | 2-1437276-7 | 31 |
| C8D40DS29C2 | — | 31 |
| C8D40DS29C3 | 2-1437276-9 | 32 |
| C8D40DS29D1 | 3-1437276-0 | 31 |
| C8D40DS29D2 | — | 31 |
| C8D40DS29D3 | 3-1437276-1 | 32 |
| C8D40DS29E1 | — | 31 |
| C8D40DS29E2 | — | 31 |
| C8D40DS29E3 | — | 32 |
| C8D40PF29012 | — | 140 |
| C8D40PF29013 | — | 140 |
| C8D40PF29022 | — | 138 |
| C8D40PF29023 | 8-1437260-4 | 138 |
| C8D40PF29032 | — | 138 |
| C8D40PF29033 | — | 138 |

| Acquired Part Number | Tyco Part Number | Page Number |
|----------------------|------------------|-------------|
| C8D40PF29042 | — | 140 |
| C8D40PF29043 | 8-1437260-6 | 140 |
| C8D40PF29132 | — | 140 |
| C8D40PF29133 | — | 140 |
| C8D40PF29142 | — | 138 |
| C8D40PF29143 | — | 138 |
| C8D43DS29A1 | — | 31 |
| C8D43DS29A2 | — | 31 |
| C8D43DS29A3 | — | 32 |
| C8D43DS29B1 | — | 31 |
| C8D43DS29B2 | — | 31 |
| C8D43DS29B3 | — | 32 |
| C8D43DS29C1 | 3-1437276-2 | 31 |
| C8D43DS29C2 | — | 31 |
| C8D43DS29C3 | 3-1437276-3 | 32 |
| C8D43DS29D1 | — | 31 |
| C8D43DS29D2 | — | 31 |
| C8D43DS29D3 | 3-1437276-4 | 32 |
| C8D43DS29E1 | 3-1437276-5 | 31 |
| C8D43DS29E2 | — | 31 |
| C8D43DS29E3 | — | 32 |
| C8D43PF29012 | 8-1437260-9 | 140 |
| C8D43PF29013 | 9-1437260-0 | 140 |
| C8D43PF29022 | 9-1437260-2 | 138 |
| C8D43PF29023 | 9-1437260-3 | 138 |
| C8D43PF29032 | — | 138 |
| C8D43PF29033 | — | 138 |
| C8D43PF29042 | — | 140 |
| C8D43PF29043 | — | 140 |
| C8D43PF29132 | — | 140 |
| C8D43PF29142 | — | 138 |
| C8D43PF29143 | — | 138 |
| C8D50DS29A1 | 3-1437276-8 | 31 |
| C8D50DS29A2 | — | 32 |
| C8D50DS29A3 | 3-1437276-9 | 32 |
| C8D50DS29B1 | — | 31 |
| C8D50DS29B2 | — | 32 |
| C8D50DS29B3 | — | 32 |
| C8D50DS29C1 | 4-1437276-0 | 31 |
| C8D50DS29C2 | — | 32 |
| C8D50DS29C3 | 4-1437276-2 | 32 |
| C8D50DS29D1 | 4-1437276-3 | 31 |
| C8D50DS29D2 | — | 32 |
| C8D50DS29D3 | — | 32 |
| C8D50DS29E1 | — | 31 |
| C8D50DS29E2 | — | 32 |
| C8D50DS29E3 | — | 32 |
| C8D50PF29012 | — | 140 |
| C8D50PF29013 | 9-1437260-9 | 140 |
| C8D50PF29022 | — | 138 |
| C8D50PF29023 | 0-1437261-2 | 138 |
| C8D50PF29032 | — | 138 |
| C8D50PF29033 | 0-1437261-5 | 138 |
| C8D50PF29042 | — | 140 |
| C8D50PF29043 | 0-1437261-6 | 140 |
| C8D50PF29132 | — | 140 |
| C8D50PF29133 | — | 140 |
| C8D50PF29142 | — | 138 |
| C8D50PF29143 | — | 138 |
| C8D52DS29C1M191 | 4-1437276-6 | 29 |
| C8D52DS29C1M195 | 4-1437276-7 | 29 |
| C8D60DS29A1 | 5-1437276-1 | 31 |
| C8D60DS29A2 | — | 32 |
| C8D60DS29A3 | 5-1437276-2 | 32 |
| C8D60DS29B1 | — | 31 |
| C8D60DS29B2 | — | 32 |
| C8D60DS29B3 | 5-1437276-3 | 32 |
| C8D60DS29C1 | 5-1437276-4 | 31 |
| C8D60DS29C2 | — | 32 |
| C8D60DS29C3 | — | 32 |
| C8D60DS29D1 | 5-1437276-7 | 31 |
| C8D60DS29D2 | — | 32 |
| C8D60DS29D3 | — | 32 |
| C8D60DS29E1 | — | 31 |
| C8D60DS29E2 | — | 32 |
| C8D60DS29E3 | — | 32 |
| C8D60PF29012 | — | 140 |
| C8D60PF29013 | 5-1437276-8 | 140 |
| C8D60PF29022 | — | 138 |
| C8D60PF29023 | 1-1437261-1 | 138 |
| C8D60PF29032 | — | 138 |
| C8D60PF29033 | — | 138 |
| C8D60PF29042 | — | 140 |
| C8D60PF29043 | — | 140 |
| C8D60PF29132 | — | 140 |
| C8D60PF29133 | — | 140 |
| C8D60PF29142 | — | 138 |

Part Number Cross Reference
Acquired Part Number to Tyco Part Number

Catalog 1654080
 Issued 7-03
 www.tycoelectronics.com

Dimensions are in millimeters and inches unless otherwise specified. Values in bold are imperial equivalents.

Dimensions are shown for reference purposes only. Specifications subject to change.

USA: 1-800-522-6752
 Canada: 1-905-470-4425
 Mexico: 01-800-733-8926
 C. America: 52-55-5-729-0425

South America: 55-11-3611-1514
 Hong Kong: 852-2735-1628
 Japan: 81-44-844-8013
 UK: 44-141-810-8967

Part Number Cross Reference—Acquired Part Number to Tyco Part Number

| Acquired Part Number | Tyco Part Number | Page Number |
|----------------------|------------------|-------------|
| C8D60PF29143 | — | 138 |
| C9D020PF60048 | 3-1437264-4 | 129 |
| C9D030PF60048 | 3-1437264-5 | 129 |
| C9D040PF60048 | — | 129 |
| C9D050PF60048 | — | 129 |
| C9D060PF60048 | 3-1437264-6 | 129 |
| W8D18DS29063 | — | 34 |
| W8D18DS29093 | — | 34 |
| W8D18PF29012 | — | 134 |
| W8D18PF29013 | — | 134 |
| W8D18PF29042 | — | 134 |
| W8D18PF29043 | — | 134 |
| W8D18PF29062 | — | 136 |
| W8D18PF29063 | 1-1437265-0 | 136 |
| W8D18PF29092 | — | 136 |
| W8D18PF29093 | — | 136 |
| W8D20DS29063 | — | 34 |
| W8D20DS29093 | — | 34 |
| W8D20PF29012 | — | 134 |
| W8D20PF29013 | — | 134 |
| W8D20PF29042 | — | 134 |
| W8D20PF29043 | — | 134 |
| W8D20PF29062 | — | 136 |
| W8D20PF29063 | — | 136 |
| W8D20PF29092 | — | 136 |
| W8D20PF29093 | — | 136 |
| W8D22DS29063 | — | 34 |
| W8D22DS29093 | — | 34 |
| W8D22PF29012 | — | 134 |
| W8D22PF29013 | — | 134 |
| W8D22PF29042 | — | 134 |
| W8D22PF29043 | 1-1437265-2 | 134 |
| W8D22PF29062 | — | 136 |
| W8D22PF29063 | — | 136 |
| W8D22PF29092 | — | 136 |
| W8D22PF29093 | — | 136 |
| W8D25DS29063 | — | 34 |
| W8D25DS29093 | — | 34 |
| W8D25PF29012 | — | 134 |
| W8D25PF29013 | 1-1437265-3 | 134 |
| W8D25PF29042 | — | 134 |
| W8D25PF29043 | — | 134 |
| W8D25PF29062 | — | 136 |
| W8D25PF29063 | 1-1437265-4 | 136 |
| W8D25PF29092 | — | 136 |
| W8D25PF29093 | 1-1437265-5 | 136 |
| W8D28DS29063 | — | 34 |
| W8D28DS29093 | — | 34 |
| W8D28PF29012 | — | 134 |
| W8D28PF29013 | 1-1437265-6 | 134 |
| W8D28PF29042 | — | 134 |
| W8D28PF29043 | — | 134 |
| W8D28PF29062 | — | 136 |
| W8D28PF29063 | — | 136 |
| W8D28PF29092 | — | 136 |
| W8D28PF29093 | 1-1437265-7 | 136 |
| W8D30DS29063 | — | 34 |
| W8D30DS29093 | — | 34 |
| W8D30PF29012 | — | 134 |
| W8D30PF29013 | 2-1437265-0 | 134 |
| W8D30PF29042 | — | 134 |
| W8D30PF29043 | 2-1437265-1 | 134 |
| W8D30PF29062 | — | 136 |
| W8D30PF29063 | — | 136 |
| W8D30PF29092 | — | 136 |
| W8D30PF29093 | — | 136 |
| W8D35DS29063 | — | 34 |
| W8D35DS29093 | — | 34 |
| W8D35PF29012 | — | 134 |
| W8D35PF29013 | 2-1437265-3 | 134 |
| W8D35PF29042 | — | 134 |
| W8D35PF29043 | — | 134 |
| W8D35PF29062 | — | 136 |
| W8D35PF29063 | 2-1437265-5 | 136 |
| W8D35PF29092 | — | 136 |
| W8D35PF29093 | — | 136 |
| W8D36DS29063 | — | 34 |
| W8D36DS29093 | — | 34 |
| W8D36PF29012 | — | 134 |
| W8D36PF29013 | 2-1437265-6 | 134 |
| W8D36PF29042 | — | 134 |
| W8D36PF29043 | 2-1437265-7 | 134 |
| W8D36PF29062 | — | 136 |
| W8D36PF29063 | — | 136 |
| W8D36PF29092 | — | 136 |
| W8D36PF29093 | 2-1437265-8 | 136 |
| W8D40DS29063 | — | 34 |
| W8D40DS29093 | — | 34 |

| Acquired Part Number | Tyco Part Number | Page Number |
|----------------------|------------------|-------------|
| W8D40PF29012 | — | 134 |
| W8D40PF29013 | 3-1437265-0 | 134 |
| W8D40PF29042 | — | 134 |
| W8D40PF29043 | — | 134 |
| W8D40PF29062 | — | 136 |
| W8D40PF29063 | — | 136 |
| W8D40PF29092 | — | 136 |
| W8D40PF29093 | — | 136 |
| W8D43DS29063 | — | 34 |
| W8D43DS29093 | — | 34 |
| W8D43PF29012 | — | 134 |
| W8D43PF29013 | — | 134 |
| W8D43PF29042 | — | 134 |
| W8D43PF29043 | — | 134 |
| W8D43PF29062 | — | 136 |
| W8D43PF29063 | — | 136 |
| W8D43PF29092 | — | 136 |
| W8D43PF29093 | — | 136 |
| W8D45DS29063 | — | 34 |
| W8D45DS29093 | — | 34 |
| W8D45PF29012 | — | 134 |
| W8D45PF29013 | — | 134 |
| W8D45PF29042 | — | 134 |
| W8D45PF29043 | — | 134 |
| W8D45PF29062 | — | 136 |
| W8D45PF29063 | — | 136 |
| W8D45PF29092 | — | 136 |
| W8D45PF29093 | — | 136 |
| W8D50DS29063 | — | 34 |
| W8D50DS29093 | — | 34 |
| W8D50PF29012 | 3-1437265-4 | 134 |
| W8D50PF29013 | 3-1437265-5 | 134 |
| W8D50PF29042 | — | 134 |
| W8D50PF29043 | 3-1437265-6 | 134 |
| W8D50PF29062 | 3-1437265-7 | 136 |
| W8D50PF29063 | — | 136 |
| W8D50PF29092 | — | 136 |
| W8D50PF29093 | — | 136 |
| W8D60DS29063 | — | 34 |
| W8D60DS29093 | — | 34 |
| W8D60PF29012 | — | 134 |
| W8D60PF29013 | 3-1437265-9 | 134 |
| W8D60PF29042 | — | 134 |
| W8D60PF29043 | — | 134 |
| W8D60PF29062 | — | 136 |
| W8D60PF29063 | — | 136 |
| W8D60PF29092 | — | 136 |
| W8D60PF29093 | — | 136 |

For additional component solutions for Industrial Machinery, Instrumentation, Security, and related applications, request the following brochures:

Brochure No. 889439 – Industrial Machinery

Brochure No. 1307285 – Instrumentation

Brochure No. 1308325 – Security

These brochures list catalog sources for connectors, switches, terminal blocks, relays, timers, circuit breakers, and cable assemblies available from Tyco Electronics.

Related Product Information

tyco
Electronics

interconnect solutions for...

AGASTAT
ALCOSWITCH
AMP
AXICOM
BUCHANAN
HTS
OEG
P&B
SCHRACK

- Connectors
- Switches
- Terminal Blocks
- Relays & Circuit Breakers
- Visit our web-site: www.tycoelectronics.com

Industrial Machinery

tyco
Electronics

interconnect solutions for...

AGASTAT
ALCOSWITCH
AMP
AXICOM
BUCHANAN
CH
MICRODOT
OEG
P&B
SCHRACK

- Cable Assemblies
- Connectors
- Relays & Circuit Breakers
- Switches
- Terminal Blocks
- Visit our web-site: www.tycoelectronics.com

Instrumentation

tyco
Electronics

AMP
Alcoswitch
BUCHANAN

interconnect solutions for...

- Interconnection Expertise...
- Concept to Production...
- Products and Services...
- Visit our web-site: www.tycoelectronics.com

Security

Americas

Argentina – Buenos Aires
 Phone: +54-11-4733-2200
 Fax: +54-11-4733-2250

Brasil – São Paulo
 Phone: +55-11-3611-1311
 Fax: +55-11-3611-0397

Canada – Markham
 Phone: +905-475-6222
 Fax: +905-474-5520
**Product Information Center:
 (Technical Support)**
 Phone: +905-470-4425
 Fax: +905-474-5525

Colombia – Bogota
 Phone: +57-1-240-9396
 Fax: +57-1-660-0206

Mexico – Mexico City
 Phone: +52-55-5-729-0425
 Fax: +52-55-5-398-1430

United States – Harrisburg, PA
 Phone: +717-564-0100
 Fax: +717-986-7575
**Product Information Center:
 (Technical Support)**
 Phone: +800-522-6752
 Fax: +717-986-7575

**For Latin/South American
 Countries not shown**
 Phone: +57-1-240-9396
 Fax: +57-1-660-0206

Asia/Pacific

Australia – Sydney
 Phone: +61-2-9840-8200
 Fax: +61-2-9899-5649
**Product Information Center:
 (Technical Support)**
 Phone: +61-2-9554-2600
 Fax: +61-2-9502-2556

India – Bangalore
 Phone: +91-80-841-0200
 Fax: +91-80-841-0210

Indonesia – Jakarta
 Phone: +6221-526-7852
 Fax: +6221-526-7856

Japan – Kawasaki, Kanagawa
 Phone: +81-44-844-8079
 Fax: +81-44-844-8733
**Product Information Center:
 (Technical Support)**
 Phone: +81-44-844-8013
 Fax: +81-44-812-3200
Raychem Products
 Phone: +81-44-900-5102
 Fax: +81-44-5025-5027

Korea – Seoul
 Phone: +82-2-3274-0535
 Fax: +82-2-3274-0524/0531

Malaysia – Selangor
 Phone: +60-3-7053055
 Fax: +60-3-7053066

New Zealand – Auckland
 Phone: +64-9-634-4580
 Fax: +64-9-634-4586

Philippines – Makati City
 Phone: +632-867-8641
 Fax: +632-867-8661

People's Republic of China
 Hong Kong
 Phone: +852-2735-1628
 Fax: +852-2735-0243

Shanghai
 Phone: +86-21-6485-0602
 Fax: +86-21-6485-0728

Shunde
 Phone: +86-765-775-1368
 Fax: +86-765-775-2823

Singapore – Singapore
 Phone: +65-482-0311
 Fax: +65-482-1012

Raychem Products
 Phone: +65-486-6151
 Fax: +65-654-5514

Taiwan – Taipei
 Phone: +886-2-2664-9977
 Fax: +886-2-2664-9900

Thailand – Bangkok
 Phone: +66-2-955-0500
 Fax: +66-2-955-0505

Vietnam – Ho Chi Minh City
 Phone: +84-8-8232-546/7
 Fax: +84-8-8221-443

Europe/Middle East/Africa

Austria – Vienna
 Phone: +43-190-560-0
 Fax: +43-190-560-1333

Belgium – Kessel-Lo
 Phone: +32-16-352-300
 Fax: +32-16-352-352

Bulgaria – Sofia
 Phone: +359-2-971-2152
 Fax: +359-2-971-2153

Czech Republic – Kurim
 Phone: +420-5-41-162-111
 Fax: +420-5-41-162-223

Denmark – Viby J
 Phone: +45-70-15-52-00
 Fax: +45-86-29-51-33

Egypt – Cairo
 Phone: +20-2-417-76-47
 Fax: +20-2-419-23-34

Estonia – Tallinn
 Phone: +372-65-05-474
 Fax: +372-65-05-470

Finland – Helsinki
 Phone: +358-95-12-34-20
 Fax: +358-95-12-34-250

France – Cergy-Pontoise
 Phone: +33-1-3420-8888
 Fax: +33-1-3420-8600
**Product Information Center:
 (Technical Support)**
 Phone: +33-1-3420-8943
 Fax: +33-1-3420-8623

France
Tyco Electronics Export – St Ouen L'Aumone
 Phone: +33-1-3440-7200
 Fax: +33-1-3440-7220 or
 +33-1-3440-7230

Germany – Bensheim
 Phone: +49-6251-133-0
 Fax: +49-6251-133-1600
**Product Information Center:
 (Technical Support)**
 Phone: +49-6251-133-1999
 Fax: +49-6251-133-1988

Germany – Langen
 Phone: +49-6103-709-0
 Fax: +49-6103-709-1223

Germany – Speyer
 Phone: +49-6232-30-0
 Fax: +49-6232-30-2243

Germany
HTS Division – Neunkirchen
 Phone: +49-2247-305-0
 Fax: +49-2247-305-122

Great Britain – Stanmore Middlesex
 Phone: +44-181-954-2356
 Fax: +44-181-954-6234
**Product Information Center:
 (Technical Support)**
 Freephone GB: 0800-267-666
 Phone: +44-141 810 8967...69
 Fax: +44-141 810 8971

Great Britain – Dorcan, Swindon
Raychem Products
 Phone: +44-1793-528171
 Fax: +44-1793-572516

Greece – Athens
 Phone: +30-1-9370-396/397
 Fax: +30-1-9370-655

Hungary – Budapest
 Phone: +36-1-289-1000
 Fax: +36-1-289-1010

Ireland – Dublin
 Phone: +353-1-820-3000
 Fax: +353-1-820-9790

Israel – Yokneam
 Phone: +972-4-959-0508
 Fax: +972-4-959-0506

Italy – Collegno (Torino)
 Phone: +39-011-4012-111
 Fax: +39-011-4031-116

Lithuania – Vilnius
 Phone: +370-5-21-31-402
 Fax: +370-5-21-31-403

Netherlands – 's-Hertogenbosch
 Phone: +31-73-6246-246
 Fax: +31-73-6212-365
**Product Information Center:
 (Technical Support)**
 Phone: +31-73-6246-999
 Fax: +31-73-6246-998

Norway – Nesbru
 Phone: +47-66-77-88-99
 Fax: +47-66-77-88-55

Poland – Warsaw
 Phone: +48-22-5490-888
 Fax: +48-22-5490-880

Romania – Bucharest
 Phone: +40-1-311-3479+3596
 Fax: +40-1-312-0574

Russia – Moscow
 Phone: +7-095-926-55-06...09
 Fax: +7-095-926-55-05

Russia – St. Petersburg
 Phone: +7-812-325-30-83
 Fax: +7-812-325-32-88

Scotland – Dundee
Madison Cable Products
 Phone: +44-1382-508080
 Fax: +44-1382-505060

Slovakia – Banská Bystrica
 Phone: +421-48-415-20-11/12
 Fax: +421-48-415-20-13

Slovenia – Ljubljana
 Phone: +386-1561-3270
 Fax: +386-1561-3240

South Africa – Port Elizabeth
 Phone: +27-41-405-4500
 Fax: +27-41-486-1314

Spain – Barcelona
 Phone: +34-93-291-0330
 Fax: +34-93-201-7879
**Product Information Center:
 (Technical Support):**
 Phone: +34-93-291-0330
 Fax: +34-93-200-3779

Sweden – Upplands Väsby
 Phone: +46-8-50-72-50-00
 Fax: +46-8-50-72-50-01

Switzerland – Steinach
 Phone: +41-71-447-0447
 Fax: +41-71-447-0444

Turkey – Istanbul
 Phone: +90-212-281-8181...3
 +90-212-282-5130/5430
 Fax: +90-212-281-8184

Ukraine – Kiev
 Phone: +38-044-238-6908
 Fax: +38-044-568-5740

tyco

Electronics

TYCO ELECTRONICS CORPORATION
WWW.TYCOELECTRONICS.COM

AMP

