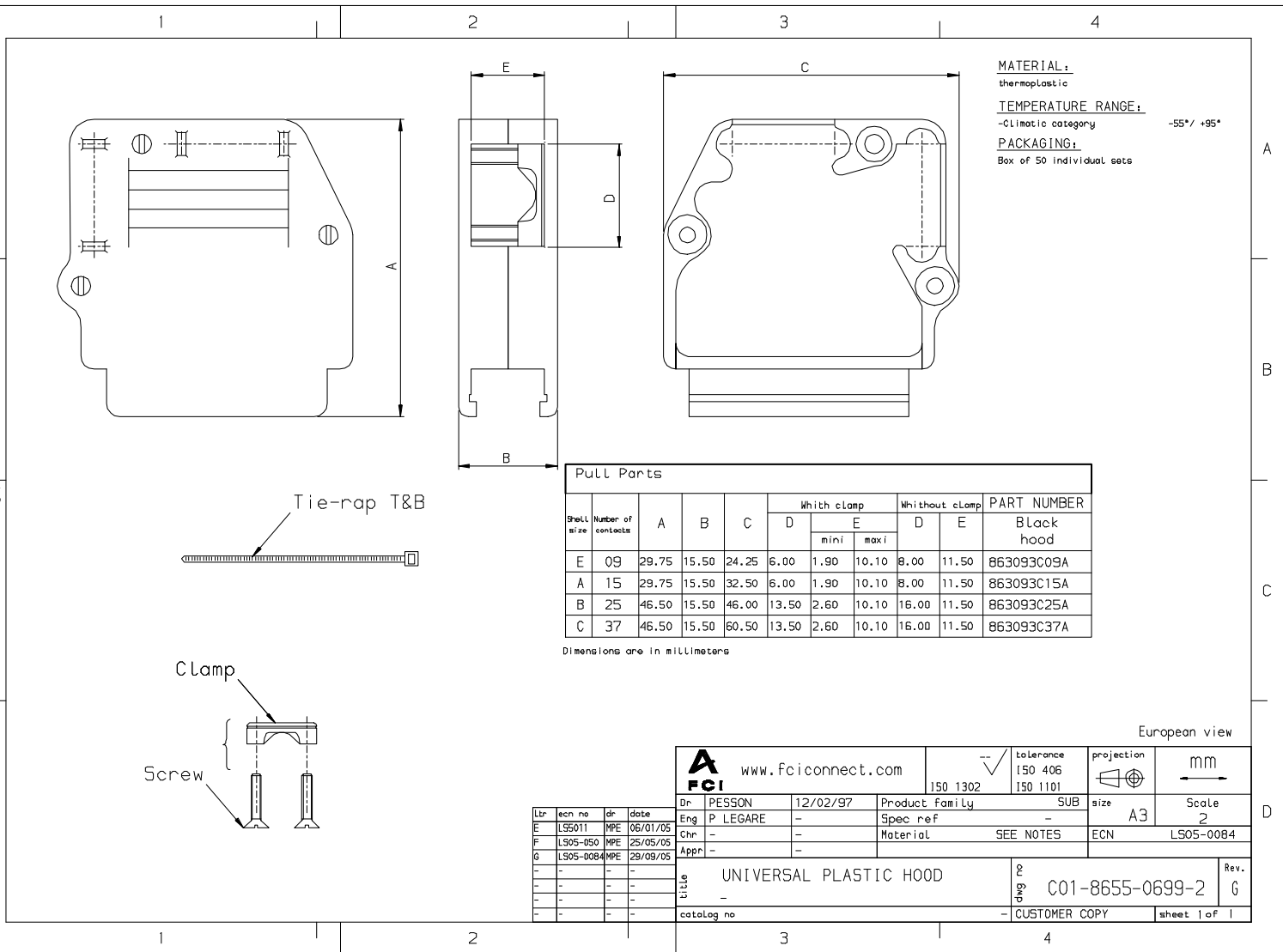


Tutti i diritti sono riservati. È vietata espressamente la ristampa o l'uso non autorizzato senza permesso scritto dalla FCI.

FCI

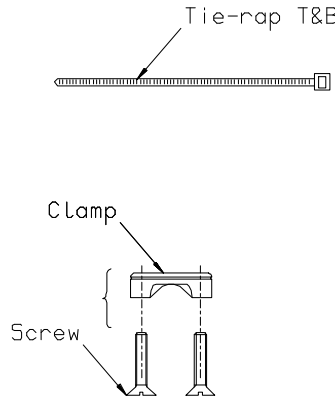
All rights are reserved. Reproduction or use in any form without written permission is strictly prohibited.



MATERIAL:
 thermoplastic
TEMPERATURE RANGE:
 -climatic category -55° / +95°
PACKAGING:
 Box of 50 individual sets

Shell size	Number of contacts	A	B	C	With clamp		Without clamp		PART NUMBER	
					D	E		D		E
						mini	maxi			
E	09	29.75	15.50	24.25	6.00	1.90	10.10	8.00	11.50	863093C09A
A	15	29.75	15.50	32.50	6.00	1.90	10.10	8.00	11.50	863093C15A
B	25	46.50	15.50	46.00	13.50	2.60	10.10	16.00	11.50	863093C25A
C	37	46.50	15.50	60.50	13.50	2.60	10.10	16.00	11.50	863093C37A

Dimensions are in millimeters



FCI www.fciconnect.com		tolerance 150 406 150 1101	projection 	mm
Dr PESSON 12/02/97 Eng P LEGARE Chr - Appr -	Product family SUB Spec ref Material SEE NOTES	size A3	ECN LS05-0084	Scale 2
title UNIVERSAL PLASTIC HOOD		chg no C01-8655-0699-2	Rev. G	sheet 1 of 1
Ltr ecn no dr date E LS05011 MPE 06/01/05 F LS05-050 MPE 25/05/05 G LS05-0084 MPE 29/09/05		catalog no - CUSTOMER COPY		