

SIZE	Part Num.	Threading	Jack screw colour
25	86303639BLF	UNC 4.40	black
	86303644BLF	M3	grey
	86303644B100LF	M3	grey

NOTES:

- Material: Nylon (UL94V-2)
- Cable strain relief: Cable clamp with Self-taping screws
- Temperature range: -40°C to 95°C
- Cable diameter: 4.0 to 11.0mm
- Jack screw colour: black for 4.40 UNC)  
grey for M3.0
- Packaging: - Part Num. ending BLF = Box of 100 individual sets.  
- Part Num. ending B100LF = Box of bulk components in plastic bags (see quantity on the table).
- Cable clamp screwing force (max): 70 Ncm
- Jack screws screwing force (max): 50 Ncm

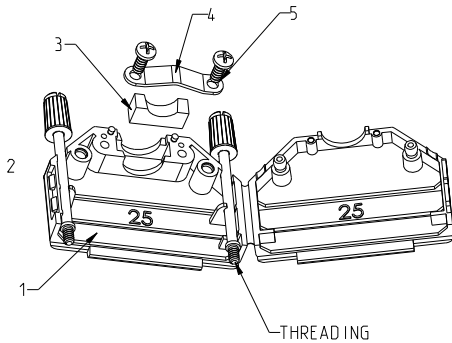
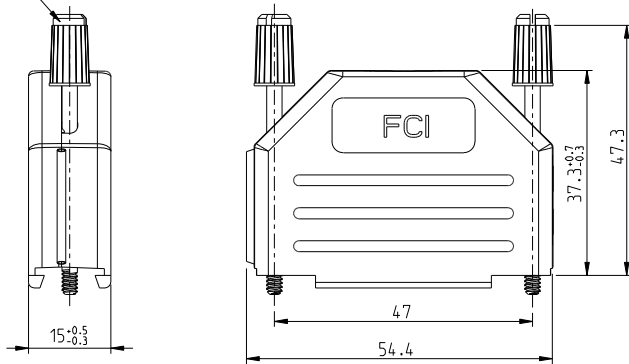
- The "LF" product meets European Union Directives and other country regulations as described in GS-22-008.
- The product is not intended to be exposed to a manufacturing solder process.
- packaging spec: see GS-14-920.

DESIGNATION	REP	Qty per set	Qty per bulk
BACKSHELL	1	1	100
JACKSCREWS	2	2	200
GROMMET	3	1	100
CABLECLAMP	4	1	100
SCREWS POZIDRIVE	5	2	200

www.fciconnect.com		surface ISO 1302	tolerance std ISO 406 ISO 1101	projection	mm
TOLERANCES UNLESS OTHERWISE SPECIFIED					
Dr	GOISNARD L	2004.03.22	ANGULAR	size A3	Scale 3:2
Eng	PESSON M	2004.03.22	LINEAR	ECN	F10-0083
Chr	LEGARE P	2004.03.22	0° ±	Spec ref	-
Appr	LEGARE P	2004.03.22	Product family	D-SUB HOODS	
Title		D-SUB PLASTIC SHELLS		Rev.	E
catalog no		see tables		10061215C	
		CUSTOMER		sheet 1 of 3	

rev	ecn no	dr	date
A	LS05-0086	LGO	2005/10/10
B	LS06-0084	LGO	2006/06/20
C	LS08-0155	MPE	2008/06/27
D	F09-0223	LSA	2009/11/24
E	F10-0083	LSA	2010/08/04
-	-	-	-
-	-	-	-

See table for colour coding



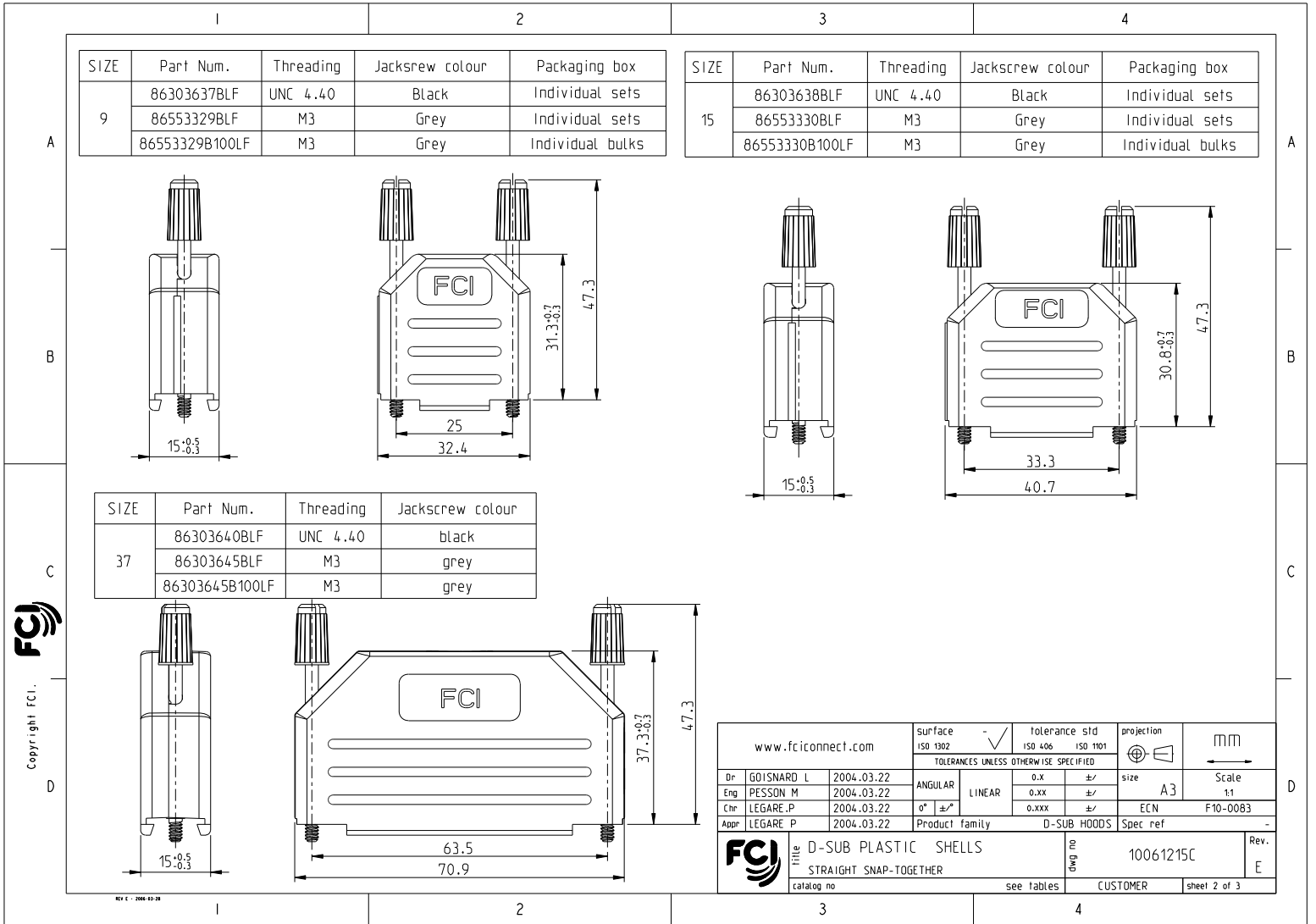
Copyright FCI.

REV. C - 2009-03-28

PDM: Rev:E

STATUS Released

Printed: Oct 01, 2010



Copyright FCI.

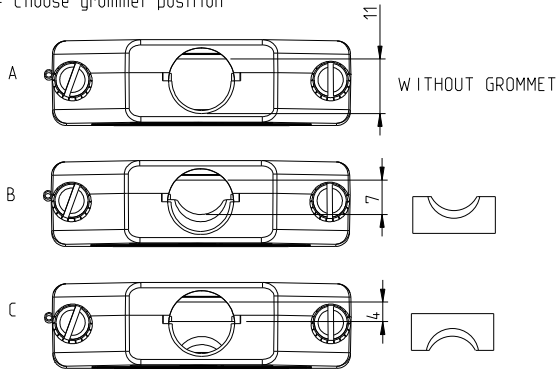
**PDM: Rev:E**

**STATUS Released**

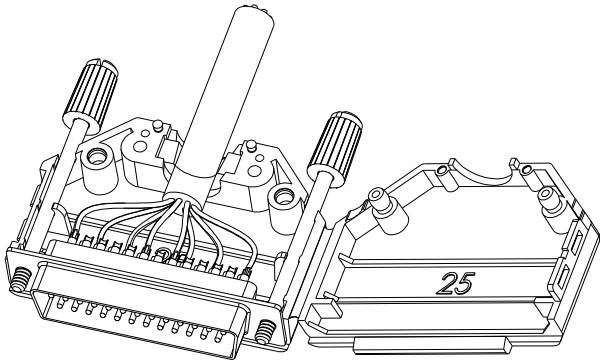
Printed: Oct 01, 2010

# CABLING INSTRUCTIONS

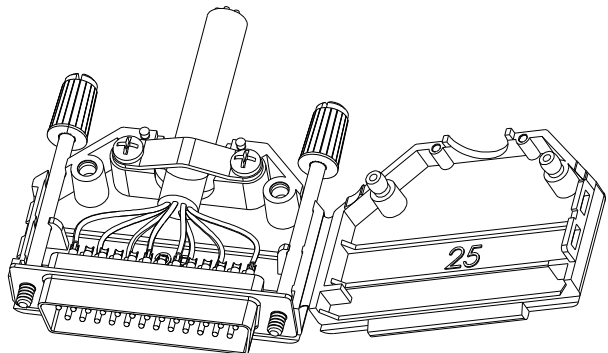
1- Choose grommet position



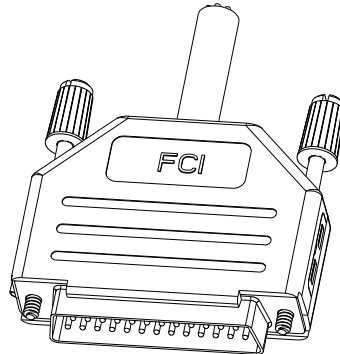
2- Mount connector and cable inside



3- Mount cableclamp and screws



4- Close the backshell and click together



Copyright FCI.

www.fciconnect.com		surface ISO 1302	tolerance std ISO 406 ISO 1101	projection mm	
		TOLERANCES UNLESS OTHERWISE SPECIFIED			
Dr	GOISNARD L	2004.03.22	ANGULAR	0.X	±/
Eng	PESSON M	2004.03.22	LINEAR	0.XX	±/
Chr	LEGARE P	2004.03.22	0° ±/	0.XXX	±/
Appr	LEGARE P	2004.03.22	Product family	D-SUB HOODS	Spec ref
FCI		Title		D-SUB PLASTIC SHELLS	Rev.
catalog no		see tables		STRAIGHT SNAP-TOGETHER	E
		ENG no		10061215C	
		CUSTOMER		sheet 3 of 3	

PDM: Rev:E

STATUS Released

Printed: Oct 01, 2010