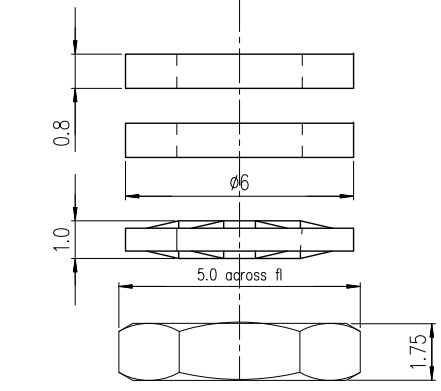
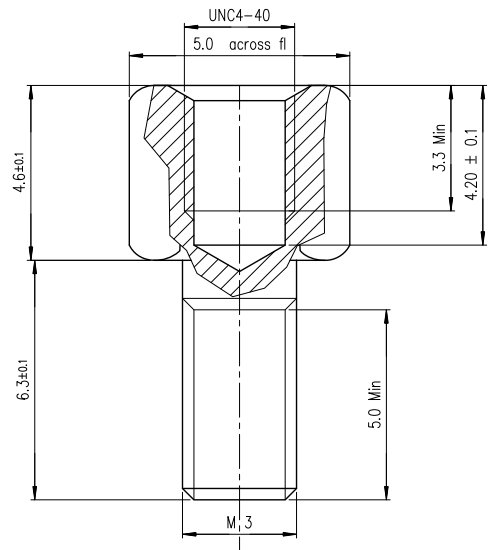




Copyright FCJ



TECHNICAL CHARACTERISTICS :

- Compensating washer: steel , tin plated .
- Nuts : steel , tin plated .
- Packaging : per 100 pieces .
- Corrosion resistance : 24 hours exposure to salt spray .

PART NUMBER	Material female screw locks
863001017TLF	Brass, tin plated
86552154TLF	Steel, tin plated

NOTE: RoHS INFORMATIONS

- The "LF" products meet European union Directives and other country regulations as described in GS-22-008.
- Plating Sn (pure bright) over copper
- Packaging spec: see GS-14-920

European Views

www.fciconnect.com		surface	ISO 1302	tolerance std	ISO 406 ISO 1101	projection	mm
		TOLERANCES UNLESS OTHERWISE SPECIFIED				size	Scale
Dr	JOUBERT	2002/03/12	ANGULAR	0.X	±0.1	A3	10
Eng	PESSON	2002/03/12	LINEAR	0.XX	±0.1		
Chr	ABHILASH	2011/01/25	0.XX	±0.1	ECN	111-0022	
Appr	SUDHIR	2011/01/25	0.XXX	±0.1	Product family	D-SUB	Spec ref -
FCJ		Title		FEMALE SCREW LOCKS		dwg no	
		D SUB ACCESSORIES		C01-8655-1557		Rev.	
catalog no				CUSTOMER		sheet 1 of 1	

rev	ecn no	dr	date
B	-	JOU	2003/01/17
C	LS05-0026	MPE	2005/07/08
D	LS06-0097	LGO	2006/07/28
E	LS09-0006	PCR	2009/01/08
F	LS09-0063	PCR	2009/03/25
G	111-0022	AMR	2011/01/25
I	-	-	-

REV F - 2006-04-17