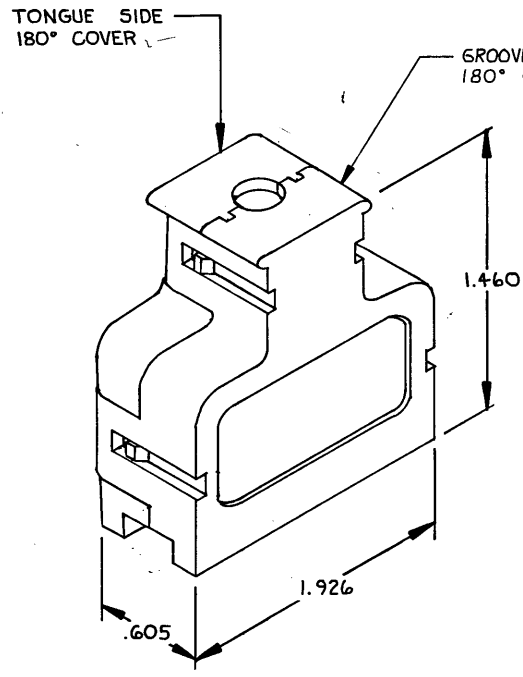


THIS DRAWING IS UNPUBLISHED. RELEASED FOR PUBLICATION
 © COPYRIGHT

REVISIONS						
P	F	ZONE	LTR	DESCRIPTION	DATE	APPROVED
		L1		REVISED PER ECO-11-005140	JAN11	HMR

1. ALL DIMENSIONS SHOWN ARE MAXIMUM UNLESS OTHERWISE SPECIFIED.
2. COVERS SHIPPED NOT ASSEMBLED.

△ 100 KITS BULK PACKAGED.



△	.480 - .520	BLACK	552072-6	552071-6	▲ -6
	.360 - .430		552072-5	552071-5	-5
	.290 - .360		552072-1	552071-1	552073-1
PACKAGED	CABLE RANGE DIAMETER	COLOR	GROOVE SIDE PART NO.	TONGUE SIDE PART NO.	KIT PART NO.
UNLESS OTHERWISE SPECIFIED DIMENSIONS ARE IN INCHES. TOLERANCES ON: DECIMALS ± ANGLES ±			CONTRACT NO.		
MATERIAL POLYPHENYLENE			DR P.K. COLLINS 5-4-83 CHK Stephen D... 5-6-83 APPD C.F. Morgan 5/4/83 APPROV N... 5/19/83		
FINISH			NAME COVER KIT, 180°, 36 POSITION, CHAMP®		
OTHER APPD			SIZE B	FSCM NO 00779	DRAWING NO 552073
			SCALE 2:1		SHEET 1 OF 1

CUSTOMER DRAWING