

4

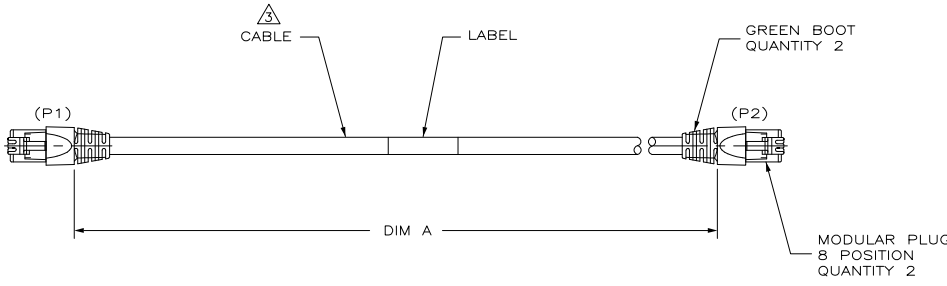
3

2

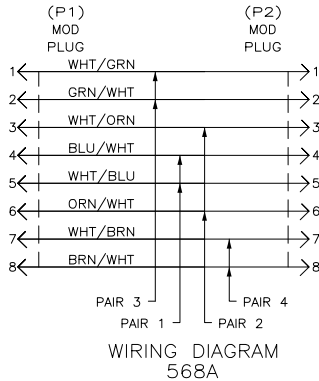
1

THIS DRAWING IS UNPUBLISHED. RELEASED FOR PUBLICATION
 © COPYRIGHT BY TYCO ELECTRONICS CORPORATION. ALL RIGHTS RESERVED.

LOC	DIST	REVISIONS					
EH	00	F	LR	DESCRIPTION	DATE	BY	APD
		C		REV: EC 0B10-0154-01	18OCT01	LH	MD
		D		REV ECN 0B10-0178-02	30DEC02	LH	MD
		E		REV ECR-05-004347	09JAN05	LH	CC
		F		REV ECD-06-27719	04JAN07	LH	CD



- ONE CABLE PACKAGED IN A CLEAR POLYBAG.
- DIMENSIONS ARE MAXIMUM UNLESS OTHERWISE SPECIFIED.
- CABLE: UNSHIELDED 24 AWG, 4 TWISTED PAIRS, 7/32 STRANDED CONDUCTORS, 100 OHMS.
- DESIGNATIONS IN PARENTHESES () ARE FOR REFERENCE ONLY.
- AN ALTERNATE FORM OF CONNECTOR COMPONENTS RESULTING IN EQUIVALENT PERFORMANCE IS ACCEPTABLE.



METERS, REF	FEET, REF	DIM A	PART NO
0.15	0.5	203.2 (8.00)	9-219243-8
15.24	50	15392.4 (606.00)	5-219243-0
12.20	40	12344.4 (486.00)	4-219243-0
9.15	30	9296.4 (366.00)	3-219243-0
7.62	25	7721.6 (304.00)	2-219243-5
6.10	20	6197.6 (244.00)	2-219243-0
4.88	16	4978.4 (196.00)	1-219243-6
4.57	15	4724.4 (184.00)	1-219243-5
4.27	14	4366.8 (172.00)	1-219243-4
3.66	12	3759.2 (148.00)	1-219243-2
3.35	11	3454.4 (136.00)	1-219243-1
3.05	10	3149.6 (124.00)	1-219243-0
2.74	9	2794 (110.00)	219243-9
2.44	8	2489.2 (98.00)	219243-8
2.14	7	2184.4 (86.00)	219243-7
1.83	6	1879.6 (74.00)	219243-6
1.53	5	1574.8 (62.00)	219243-5
1.22	4	1270 (50.00)	219243-4
0.92	3	965.2 (38.00)	219243-3
0.61	2	660.4 (26.00)	219243-2
0.30	1	355.6 (14.00)	219243-1

THIS DRAWING IS A CONTROLLED DOCUMENT.

DIMENSIONS: $MM(inches)$ 0 P.L.C. ± .15 1 P.L.C. ± .25 2 P.L.C. ± .38 3 P.L.C. ± .51 4 P.L.C. ± .76 ANGLES: ± .5° FINISH: -	TOLERANCES UNLESS OTHERWISE SPECIFIED: HOLE: ± .05 OTHER: ± .15 FINISH: -	DRN: M. BOLES 25JXJ97 CHK: S. ANTHONY 25JXJ97 APP: B. ANTHONY 25JXJ97 PRODUCT SPEC: 108-1163 APPLICATION SPEC: 114-6053 WEIGHT: - CUSTOMER DRAWING	Tyco Electronics Corporation Harrisburg, Pa., 17105-3608 Tyco Electronics CABLE ASSEMBLY, MOD PLUG, 8 POSITION GREEN, ENHANCED CATEGORY 5 SIZE: A2 CASE CODE: 00779 DRAWING NO: C-219243 RESTRICTED TO: - SCALE: NTS SHEET: 1 OF 1 REV: F
--	--	--	--

219243

A

F