

SERIES

PTxxxR PT



Power Toroids - Horizontal or Vertical Mount

Power Inductors

MOUNTING AVAILABLE

IND. (μH) ±15% @ 1 kHz

DCR MAXIMUM (OHMS)

RATED IDC (AMPS)

FIG. "1" STANDARD VERTICAL

HORIZONTAL

FIG. "2" VERTICAL

FIG. "3" 2-LEAD VERTICAL

FIG. "4" 4-LEAD VERTICAL

Inductance tested at 1 kHz, <10 gauss and 0 ADC

DC Resistance at 25°C

Rated Idc based on 40°C maximum rise from 25°C ambient with 0 Arms

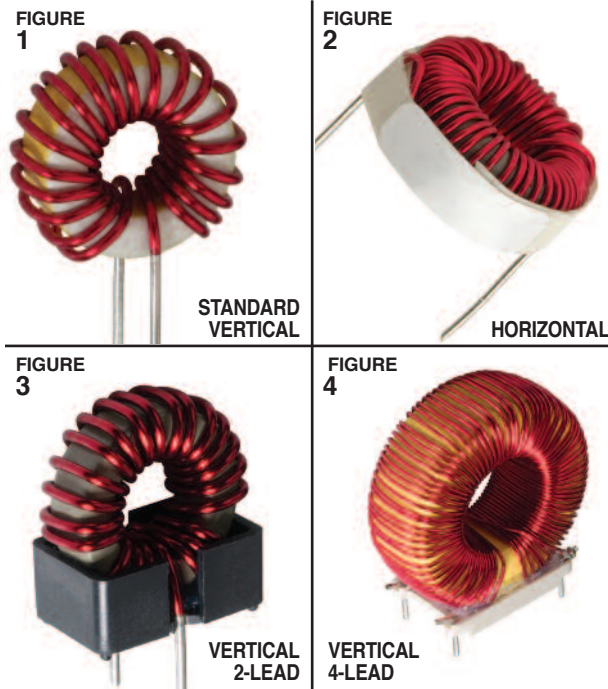
Windings single layered to maximize operating frequency and minimize board space

Self leads solder coated to within 0.050" of seating plane

Other values available on request

Packaging Bulk only

Mounting Standard mounting is self-lead radial per Figure "1". Optional mounting methods are self-leaded horizontal per Figure "2" or vertical base mounted per Figures "3" and "4".



| PT SERIES POWER TOROIDS | | | | | | | |
|-------------------------|-----------|---------|---------------|----------|----------|----------|----------|
| Part # | Ind. (μH) | DCR (Ω) | Rated IDC (A) | Mounting | Mounting | Mounting | Mounting |
| PT5-530 | 5 | 0.015 | 6.1 | • | • | • | |
| PT5-700 | 5 | 0.012 | 7.4 | • | • | • | |
| PT5-800 | 5 | 0.010 | 10.6 | • | • | • | |
| PT5-1000 | 5 | 0.008 | 12.8 | • | • | • | |
| PT10-530 | 10 | 0.020 | 4.9 | • | • | • | |
| PT10-680 | 10 | 0.015 | 6.8 | • | • | • | |
| PT10-820 | 10 | 0.010 | 9.3 | • | • | • | |
| PT10-990 | 10 | 0.008 | 13.2 | • | • | • | |
| PT25-680 | 25 | 0.035 | 4.4 | • | • | • | |
| PT25-800 | 25 | 0.025 | 6.6 | • | • | • | |
| PT25-900 | 25 | 0.020 | 7.0 | • | • | • | |
| PT25-1000 | 25 | 0.014 | 10.4 | • | • | • | |
| PT50-780 | 50 | 0.050 | 3.8 | • | • | • | |
| PT50-900 | 50 | 0.030 | 5.6 | • | • | • | |
| PT50-1020 | 50 | 0.025 | 7.0 | • | • | • | |
| PT50-1320 | 50 | 0.020 | 11.0 | • | • | • | |
| PT75-900 | 75 | 0.060 | 3.9 | • | • | • | |
| PT75-980 | 75 | 0.040 | 5.2 | • | • | • | |
| PT75-1260 | 75 | 0.035 | 7.4 | • | • | • | |
| PT75-1550 | 75 | 0.025 | 10.6 | • | • | • | |
| PT100-1000 | 100 | 0.080 | 3.5 | • | • | • | |
| PT100-1100 | 100 | 0.050 | 5.1 | • | • | • | |
| PT100-1260 | 100 | 0.035 | 7.8 | • | • | • | |
| PT100-1550 | 100 | 0.028 | 10.3 | • | • | • | |
| PT150-1040 | 150 | 0.100 | 3.4 | • | • | • | |
| PT150-1250 | 150 | 0.060 | 5.7 | • | • | • | |
| PT150-1500 | 150 | 0.050 | 7.7 | • | • | • | • |
| PT150-2050 | 150 | 0.040 | 12.3 | • | • | • | • |
| PT250-1200 | 250 | 0.130 | 3.8 | • | • | • | • |
| PT250-1500 | 250 | 0.080 | 6.1 | • | • | • | • |
| PT250-1800 | 250 | 0.055 | 9.1 | • | • | • | • |
| PT300-1200 | 300 | 0.150 | 3.3 | • | • | • | • |
| PT300-1500 | 300 | 0.100 | 5.5 | • | • | • | • |
| PT300-1750 | 300 | 0.075 | 7.3 | • | • | • | • |
| PT400-1200 | 400 | 0.250 | 2.4 | • | • | • | • |
| PT400-1500 | 400 | 0.180 | 4.7 | • | • | • | • |
| PT400-1750 | 400 | 0.110 | 6.0 | • | • | • | • |
| PT500-1450 | 500 | 0.220 | 3.4 | • | • | • | • |
| PT500-1750 | 500 | 0.160 | 5.0 | • | • | • | • |
| PT500-2000 | 500 | 0.090 | 8.0 | • | • | • | • |
| PT750-1400 | 750 | 0.350 | 2.6 | • | • | • | • |
| PT750-1700 | 750 | 0.280 | 3.7 | • | • | • | • |
| PT750-2050 | 750 | 0.150 | 6.4 | • | • | • | • |
| PT1000-1400 | 1000 | 0.620 | 1.8 | • | • | • | • |
| PT1000-1750 | 1000 | 0.420 | 3.1 | • | • | • | • |
| PT1000-2050 | 1000 | 0.200 | 5.9 | • | • | • | • |

*Complete part # must include series # PLUS the dash #

For surface finish information, refer to www.delevanfinishes.com

Notes to Figure 5 (Page 100) The PT Toroid Series inductance is specified at AC and DC signal levels which have no significant effect on the permeability of the powdered iron toroidal core. Superimposed AC and DC voltages will change the permeability and therefore the inductance, under operating conditions. Typically, DC currents will reduce the inductance, while AC signals will increase the inductance up to a point, before beginning to decrease. Supporting information is provided, detailing the AC or DC effects upon each part. Saturation resulting from DC currents is specified with waveform having less than a 1% ripple content. When considering the AC waveform, both the frequency and voltage level must be taken into account. As an aid in defining what effect the alternating sine wave signal will have, the voltage/frequency factor curve can be used. To determine what change of inductance can be expected at a given voltage level and frequency, simply divide the sinusoidal RMS voltage by the frequency. The voltage is in volts and the frequency is in hertz. As an example, if using part number PT25-680 at a 1VRMS signal level, and a frequency of 25KHz, the voltage/frequency factor is calculated to be: 1VRMS/25,000Hz = 40 x 10⁻⁶. Referring to the graph, a 39% increase in inductance would be expected.

Notes to Figure 6 (Page 100) Typical saturation effects as a function of DC flowing through the part. Data is representative of a DC waveform with less than 1% ripple, and an AC waveform less than 10 gauss.

Note This information is intended to be used in assisting the designer in part selection. Each operating application may contain other variables which must be considered in part selection; such as temperature effects, waveform distortion, etc.... Delevan Sales/Engineering staff is available to provide information as needed to fit each application.



PT SERIES (continued)

Power Inductors

Power Toroids

| PART NUMBER | IND. (μH) ± 15% @ 1 kHz | DCR MAX. (OHMS) | RATED IDC (Amps) | | A Max. | | B Max. | | C Nominal | | D Min. | | E Nominal | | F Nominal | |
|----------------------------|-------------------------|-----------------|------------------|------|--------|------|--------|------|-----------|------|--------|-------|-----------|-------|-----------|--|
| | | | Inches | mm | Inches | mm | Inches | mm | Inches | mm | Inches | mm | Inches | mm | | |
| SERIES PT IRON CORE | | | | | | | | | | | | | | | | |
| PT5-530 | 5 | 0.015 | 6.1 | 0.53 | 13.46 | 0.23 | 5.84 | 0.17 | 4.32 | 0.50 | 12.7 | 0.025 | 0.64 | 0.450 | 11.43 | |
| PT5-700 | 5 | 0.012 | 7.4 | 0.70 | 17.78 | 0.33 | 8.38 | 0.24 | 6.10 | 0.50 | 12.7 | 0.032 | 0.81 | 0.600 | 15.24 | |
| PT5-800 | 5 | 0.010 | 10.6 | 0.80 | 20.32 | 0.36 | 9.14 | 0.31 | 7.87 | 0.50 | 12.7 | 0.040 | 1.02 | 0.720 | 18.30 | |
| PT5-1000 | 5 | 0.008 | 12.8 | 1.00 | 25.40 | 0.40 | 10.16 | 0.34 | 8.64 | 0.50 | 12.7 | 0.051 | 1.30 | 0.950 | 24.13 | |
| PT10-530 | 10 | 0.020 | 4.9 | 0.53 | 13.46 | 0.23 | 5.84 | 0.17 | 4.32 | 0.50 | 12.7 | 0.025 | 0.64 | 0.450 | 11.43 | |
| PT10-680 | 10 | 0.015 | 6.8 | 0.68 | 17.27 | 0.33 | 8.38 | 0.24 | 6.10 | 0.50 | 12.7 | 0.032 | 0.81 | 0.600 | 15.24 | |
| PT10-820 | 10 | 0.010 | 9.3 | 0.82 | 20.83 | 0.37 | 9.40 | 0.29 | 7.37 | 0.50 | 12.7 | 0.040 | 1.02 | 0.720 | 18.30 | |
| PT10-990 | 10 | 0.008 | 13.2 | 0.99 | 25.15 | 0.40 | 10.16 | 0.34 | 8.64 | 0.50 | 12.7 | 0.051 | 1.30 | 0.950 | 24.13 | |
| PT25-680 | 25 | 0.035 | 4.4 | 0.68 | 17.27 | 0.37 | 9.40 | 0.29 | 7.37 | 0.50 | 12.7 | 0.025 | 0.64 | 0.580 | 14.73 | |
| PT25-800 | 25 | 0.025 | 6.6 | 0.80 | 20.32 | 0.35 | 8.89 | 0.28 | 7.11 | 0.50 | 12.7 | 0.032 | 0.81 | 0.700 | 17.78 | |
| PT25-900 | 25 | 0.020 | 7.0 | 0.90 | 22.86 | 0.40 | 10.16 | 0.30 | 7.62 | 0.50 | 12.7 | 0.040 | 1.02 | 0.820 | 20.83 | |
| PT25-1000 | 25 | 0.014 | 10.4 | 1.00 | 25.40 | 0.40 | 10.16 | 0.37 | 9.40 | 0.50 | 12.7 | 0.051 | 1.30 | 0.950 | 24.13 | |
| PT50-780 | 50 | 0.050 | 3.8 | 0.78 | 19.81 | 0.36 | 9.14 | 0.27 | 6.86 | 0.50 | 12.7 | 0.025 | 0.64 | 0.680 | 17.27 | |
| PT50-900 | 50 | 0.030 | 5.6 | 0.90 | 22.86 | 0.38 | 9.65 | 0.30 | 7.62 | 0.50 | 12.7 | 0.032 | 0.81 | 0.790 | 20.07 | |
| PT50-1020 | 50 | 0.025 | 7.0 | 1.02 | 25.91 | 0.62 | 15.75 | 0.43 | 10.92 | 0.50 | 12.7 | 0.040 | 1.02 | 0.920 | 23.37 | |
| PT50-1320 | 50 | 0.020 | 11.0 | 1.32 | 33.53 | 0.63 | 16.00 | 0.53 | 13.46 | 0.50 | 12.7 | 0.051 | 1.30 | 1.220 | 30.99 | |
| PT75-900 | 75 | 0.060 | 3.9 | 0.90 | 22.86 | 0.36 | 9.14 | 0.29 | 7.37 | 0.50 | 12.7 | 0.025 | 0.64 | 0.770 | 19.56 | |
| PT75-980 | 75 | 0.040 | 5.2 | 0.98 | 24.89 | 0.38 | 9.65 | 0.30 | 7.62 | 0.50 | 12.7 | 0.032 | 0.81 | 0.890 | 22.61 | |
| PT75-1260 | 75 | 0.035 | 7.4 | 1.26 | 32.00 | 0.60 | 15.24 | 0.49 | 12.45 | 0.50 | 12.7 | 0.040 | 1.02 | 1.200 | 30.48 | |
| PT75-1550 | 75 | 0.025 | 10.6 | 1.55 | 39.37 | 0.64 | 16.26 | 0.53 | 13.46 | 0.50 | 12.7 | 0.051 | 1.30 | 1.500 | 38.10 | |
| PT100-1000 | 100 | 0.080 | 3.5 | 1.00 | 25.40 | 0.36 | 9.14 | 0.29 | 7.37 | 0.50 | 12.7 | 0.025 | 0.64 | 0.880 | 22.35 | |
| PT100-1100 | 100 | 0.050 | 5.1 | 1.10 | 27.94 | 0.50 | 12.70 | 0.42 | 10.67 | 0.50 | 12.7 | 0.032 | 0.81 | 0.890 | 22.61 | |
| PT100-1260 | 100 | 0.035 | 7.8 | 1.26 | 32.00 | 0.60 | 15.24 | 0.49 | 12.45 | 0.50 | 12.7 | 0.040 | 1.02 | 1.200 | 30.48 | |
| PT100-1550 | 100 | 0.028 | 10.3 | 1.55 | 39.37 | 0.64 | 16.26 | 0.53 | 13.46 | 0.50 | 12.7 | 0.051 | 1.30 | 1.500 | 38.10 | |
| PT150-1040 | 150 | 0.100 | 3.4 | 1.04 | 26.42 | 0.50 | 12.70 | 0.41 | 10.41 | 0.50 | 12.7 | 0.025 | 0.64 | 0.880 | 22.35 | |
| PT150-1250 | 150 | 0.060 | 5.7 | 1.25 | 31.75 | 0.58 | 14.73 | 0.48 | 12.19 | 0.50 | 12.7 | 0.032 | 0.81 | 1.160 | 29.46 | |
| PT150-1500 | 150 | 0.050 | 7.7 | 1.50 | 38.10 | 0.62 | 15.75 | 0.50 | 12.70 | 0.50 | 12.7 | 0.040 | 1.02 | 1.420 | 36.07 | |
| PT150-2050 | 150 | 0.040 | 12.3 | 2.05 | 52.07 | 0.92 | 23.37 | 0.80 | 20.32 | 0.50 | 12.7 | 0.051 | 1.30 | 2.000 | 50.80 | |
| PT250-1200 | 250 | 0.130 | 3.8 | 1.20 | 30.48 | 0.55 | 13.97 | 0.49 | 12.45 | 0.50 | 12.7 | 0.025 | 0.64 | 1.200 | 30.48 | |
| PT250-1500 | 250 | 0.080 | 6.1 | 1.50 | 38.10 | 0.60 | 15.24 | 0.50 | 12.70 | 0.50 | 12.7 | 0.036 | 0.91 | 1.450 | 36.83 | |
| PT250-1800 | 250 | 0.055 | 9.1 | 1.80 | 45.72 | 0.77 | 19.56 | 0.69 | 17.53 | 0.50 | 12.7 | 0.051 | 1.30 | 1.750 | 44.45 | |
| PT300-1200 | 300 | 0.150 | 3.3 | 1.20 | 30.48 | 0.55 | 13.97 | 0.48 | 12.19 | 0.50 | 12.7 | 0.025 | 0.64 | 1.200 | 30.48 | |
| PT300-1500 | 300 | 0.100 | 5.5 | 1.50 | 38.10 | 0.60 | 15.24 | 0.51 | 12.95 | 0.50 | 12.7 | 0.032 | 0.81 | 1.400 | 35.56 | |
| PT300-1750 | 300 | 0.075 | 7.3 | 1.75 | 44.45 | 0.76 | 19.30 | 0.65 | 16.51 | 0.50 | 12.7 | 0.045 | 1.14 | 1.750 | 44.45 | |
| PT400-1200 | 400 | 0.250 | 2.4 | 1.20 | 30.48 | 0.55 | 13.97 | 0.48 | 12.19 | 0.50 | 12.7 | 0.020 | 0.51 | 1.150 | 29.21 | |
| PT400-1500 | 400 | 0.180 | 4.7 | 1.50 | 38.10 | 0.60 | 15.24 | 0.50 | 12.70 | 0.50 | 12.7 | 0.025 | 0.64 | 1.400 | 35.56 | |
| PT400-1750 | 400 | 0.110 | 6.0 | 1.75 | 44.45 | 0.78 | 19.81 | 0.70 | 17.78 | 0.50 | 12.7 | 0.040 | 1.02 | 1.750 | 44.45 | |
| PT500-1450 | 500 | 0.220 | 3.4 | 1.45 | 36.83 | 0.58 | 14.73 | 0.50 | 12.70 | 0.50 | 12.7 | 0.025 | 0.64 | 1.400 | 35.56 | |
| PT500-1750 | 500 | 0.160 | 5.0 | 1.75 | 44.45 | 0.75 | 19.05 | 0.62 | 15.75 | 0.50 | 12.7 | 0.036 | 0.91 | 1.700 | 43.18 | |
| PT500-2000 | 500 | 0.090 | 8.0 | 2.05 | 52.07 | 0.88 | 22.35 | 0.76 | 19.30 | 0.50 | 12.7 | 0.045 | 1.14 | 2.000 | 50.80 | |
| PT750-1400 | 750 | 0.350 | 2.6 | 1.40 | 35.56 | 0.55 | 13.97 | 0.48 | 12.19 | 0.50 | 12.7 | 0.020 | 0.51 | 1.400 | 35.56 | |
| PT750-1700 | 750 | 0.280 | 3.7 | 1.70 | 43.18 | 0.70 | 17.78 | 0.62 | 15.75 | 0.50 | 12.7 | 0.025 | 0.64 | 1.660 | 42.16 | |
| PT750-2050 | 750 | 0.150 | 6.4 | 2.05 | 52.07 | 0.85 | 21.59 | 0.78 | 19.81 | 0.50 | 12.7 | 0.036 | 0.91 | 2.000 | 50.80 | |
| PT1000-1400 | 1000 | 0.620 | 1.8 | 1.40 | 35.56 | 0.55 | 13.97 | 0.48 | 12.19 | 0.50 | 12.7 | 0.016 | 0.41 | 1.360 | 34.54 | |
| PT1000-1750 | 1000 | 0.420 | 3.1 | 1.75 | 44.45 | 0.70 | 17.78 | 0.62 | 15.75 | 0.50 | 12.7 | 0.025 | 0.64 | 1.660 | 42.16 | |
| PT1000-2050 | 1000 | 0.200 | 5.9 | 2.05 | 52.07 | 0.85 | 21.59 | 0.78 | 19.81 | 0.50 | 12.7 | 0.032 | 0.81 | 2.000 | 50.80 | |

Note: Vertical configuration is standard; add suffix "HM" for horizontal mounting

FIGURE 1: STANDARD VERTICAL MOUNT

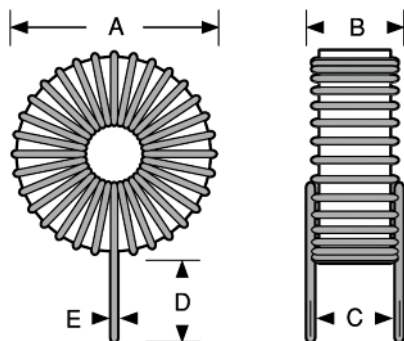
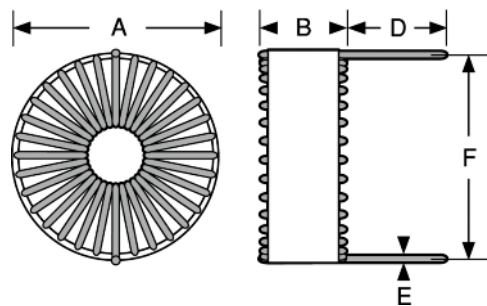


FIGURE 2: HORIZONTAL MOUNT



PT SERIES (continued)

Power Inductors

Power Toroids

| PART NUMBER | ELECTRICAL | | | PHYSICAL PARAMETERS | | | | | | | | | | | | |
|-------------------------------------------|-------------------------|-----------------|------------------|---------------------|---------------|-----------|---------------|-----------|------------------|--------------|------------------|--------------|---------------|-----------|------------------|--------------|
| | IND. (μH) ± 15% @ 1 kHz | DCR MAX. (OHMS) | RATED IDC (Amps) | FIGURE# | A Max. Inches | A Max. mm | B Max. Inches | B Max. mm | C Typical Inches | C Typical mm | D Typical Inches | D Typical mm | E Max. Inches | E Max. mm | F Typical Inches | F Typical mm |
| SERIES PT VERTICAL MOUNT IRON CORE | | | | | | | | | | | | | | | | |
| PT5-530-VM | 5 | 0.015 | 6.1 | 3 | 0.580 | 14.73 | 0.340 | 8.64 | 0.220 | 5.59 | 0.025 | 0.63 | 0.640 | 16.26 | 0.290 | 7.37 |
| PT5-700-VM | 5 | 0.012 | 7.4 | 3 | 0.650 | 16.51 | 0.450 | 11.43 | 0.300 | 7.62 | 0.032 | 0.81 | 0.810 | 20.57 | 0.325 | 8.25 |
| PT5-800-VM | 5 | 0.010 | 10.6 | 3 | 0.830 | 21.08 | 0.450 | 11.43 | 0.300 | 7.62 | 0.040 | 1.02 | 0.910 | 23.11 | 0.415 | 10.54 |
| PT10-530-VM | 10 | 0.020 | 4.9 | 3 | 0.580 | 14.73 | 0.340 | 8.64 | 0.220 | 5.59 | 0.025 | 0.63 | 0.640 | 16.26 | 0.290 | 7.37 |
| PT10-680-VM | 10 | 0.015 | 6.8 | 3 | 0.650 | 16.51 | 0.450 | 11.43 | 0.300 | 7.62 | 0.032 | 0.81 | 0.790 | 20.07 | 0.325 | 8.25 |
| PT10-820-VM | 10 | 0.010 | 9.3 | 3 | 0.830 | 21.08 | 0.450 | 11.43 | 0.300 | 7.62 | 0.040 | 1.02 | 0.930 | 23.62 | 0.415 | 10.54 |
| PT25-680-VM | 25 | 0.035 | 4.4 | 3 | 0.650 | 16.51 | 0.450 | 11.43 | 0.300 | 7.62 | 0.025 | 0.63 | 0.790 | 20.07 | 0.325 | 8.25 |
| PT25-800-VM | 25 | 0.025 | 6.6 | 3 | 0.830 | 21.08 | 0.450 | 11.43 | 0.300 | 7.62 | 0.032 | 0.81 | 0.910 | 23.11 | 0.415 | 10.54 |
| PT25-900-VM | 25 | 0.020 | 7.0 | 3 | 0.950 | 24.13 | 0.600 | 15.24 | 0.450 | 11.43 | 0.040 | 1.02 | 1.010 | 25.65 | 0.475 | 12.06 |
| PT50-780-VM | 50 | 0.050 | 3.8 | 3 | 0.830 | 21.08 | 0.450 | 11.43 | 0.300 | 7.62 | 0.025 | 0.63 | 0.890 | 22.61 | 0.415 | 10.54 |
| PT50-900-VM | 50 | 0.030 | 5.6 | 3 | 0.830 | 21.08 | 0.450 | 11.43 | 0.300 | 7.62 | 0.032 | 0.81 | 1.110 | 28.19 | 0.415 | 10.54 |
| PT50-1020-VM | 50 | 0.025 | 7.0 | 3 | 1.250 | 31.75 | 0.700 | 17.78 | 0.500 | 12.70 | 0.040 | 1.02 | 1.130 | 28.70 | 0.625 | 15.87 |
| PT75-900-VM | 75 | 0.060 | 3.9 | 3 | 0.950 | 24.13 | 0.600 | 15.24 | 0.450 | 11.43 | 0.025 | 0.63 | 1.010 | 25.65 | 0.475 | 12.06 |
| PT75-980-VM | 75 | 0.040 | 5.2 | 3 | 0.950 | 24.13 | 0.600 | 15.24 | 0.450 | 11.43 | 0.032 | 0.81 | 1.090 | 27.69 | 0.475 | 12.06 |
| PT75-1260-VM | 75 | 0.035 | 7.4 | 3 | 1.250 | 31.75 | 0.700 | 17.78 | 0.500 | 12.70 | 0.040 | 1.02 | 1.390 | 35.31 | 0.625 | 15.87 |
| PT100-1000-VM | 100 | 0.080 | 3.5 | 3 | 0.950 | 24.13 | 0.600 | 15.24 | 0.450 | 11.43 | 0.025 | 0.63 | 1.130 | 28.70 | 0.475 | 12.06 |
| PT100-1100-VM | 100 | 0.050 | 5.1 | 3 | 0.950 | 24.13 | 0.600 | 15.24 | 0.450 | 11.43 | 0.032 | 0.81 | 1.230 | 31.24 | 0.475 | 12.06 |
| PT100-1260-VM | 100 | 0.035 | 7.8 | 3 | 1.250 | 31.75 | 0.700 | 17.78 | 0.500 | 12.70 | 0.040 | 1.02 | 1.390 | 35.31 | 0.625 | 15.87 |
| PT150-1040-VM | 150 | 0.100 | 3.4 | 3 | 0.950 | 24.13 | 0.600 | 15.24 | 0.450 | 11.43 | 0.025 | 0.63 | 1.170 | 29.72 | 0.475 | 12.06 |
| PT150-1250-VM | 150 | 0.060 | 5.7 | 3 | 1.250 | 31.75 | 0.700 | 17.78 | 0.500 | 12.70 | 0.032 | 0.81 | 1.380 | 35.05 | 0.625 | 15.87 |
| PT150-1500-VM | 150 | 0.050 | 7.7 | 4 | 1.500 | 38.10 | 0.800 | 20.32 | 0.600 | 15.24 | 0.050 | 1.27 | 1.630 | 41.40 | 0.900 | 22.86 |
| PT250-1200-VM | 250 | 0.130 | 3.8 | 3 | 1.250 | 31.75 | 0.700 | 17.78 | 0.500 | 12.70 | 0.025 | 0.63 | 1.330 | 33.78 | 0.625 | 15.87 |
| PT250-1500-VM | 250 | 0.080 | 6.1 | 4 | 1.500 | 38.10 | 0.800 | 20.32 | 0.600 | 15.24 | 0.050 | 1.27 | 1.630 | 41.40 | 0.900 | 22.86 |
| PT300-1200-VM | 300 | 0.150 | 3.3 | 3 | 1.250 | 31.75 | 0.700 | 17.78 | 0.500 | 12.70 | 0.025 | 0.63 | 1.330 | 33.78 | 0.625 | 15.87 |
| PT300-1500-VM | 300 | 0.100 | 5.5 | 4 | 1.500 | 38.10 | 0.800 | 20.32 | 0.600 | 15.24 | 0.050 | 1.27 | 1.630 | 41.40 | 0.900 | 22.86 |
| PT400-1200-VM | 400 | 0.250 | 2.4 | 3 | 1.250 | 31.75 | 0.700 | 17.78 | 0.500 | 12.70 | 0.020 | 0.51 | 1.330 | 33.78 | 0.625 | 15.87 |
| PT400-1500-VM | 400 | 0.180 | 4.7 | 4 | 1.500 | 38.10 | 0.800 | 20.32 | 0.600 | 15.24 | 0.050 | 1.27 | 1.630 | 41.40 | 0.900 | 22.86 |
| PT400-1750-VM | 400 | 0.110 | 6.0 | 4 | 1.750 | 44.45 | 0.900 | 22.86 | 0.700 | 17.78 | 0.050 | 1.27 | 1.880 | 47.75 | 1.200 | 30.48 |
| PT500-1450-VM | 500 | 0.220 | 3.4 | 4 | 1.450 | 36.83 | 0.800 | 20.32 | 0.600 | 15.24 | 0.050 | 1.27 | 1.580 | 40.13 | 0.900 | 22.86 |
| PT500-1750-VM | 500 | 0.160 | 5.0 | 4 | 1.750 | 44.45 | 0.900 | 22.86 | 0.700 | 17.78 | 0.050 | 1.27 | 1.880 | 47.75 | 1.200 | 30.48 |
| PT750-1400-VM | 750 | 0.350 | 2.6 | 4 | 1.400 | 35.56 | 0.800 | 20.32 | 0.600 | 15.24 | 0.050 | 1.27 | 1.530 | 38.86 | 0.900 | 22.86 |
| PT750-1700-VM | 750 | 0.280 | 3.7 | 4 | 1.700 | 43.18 | 0.900 | 22.86 | 0.700 | 17.78 | 0.050 | 1.27 | 1.830 | 46.48 | 1.200 | 30.48 |
| PT750-2050-VM | 750 | 0.150 | 6.4 | 4 | 2.050 | 52.07 | 0.900 | 22.86 | 0.700 | 17.78 | 0.050 | 1.27 | 2.180 | 55.37 | 1.200 | 30.48 |
| PT1000-1400-VM | 1000 | 0.620 | 1.8 | 4 | 1.400 | 35.56 | 0.800 | 20.32 | 0.600 | 15.24 | 0.050 | 1.27 | 1.530 | 38.86 | 0.900 | 22.86 |
| PT1000-1750-VM | 1000 | 0.420 | 3.1 | 4 | 1.750 | 44.45 | 0.900 | 22.86 | 0.700 | 17.78 | 0.050 | 1.27 | 1.980 | 50.29 | 1.200 | 30.48 |
| PT1000-2050-VM | 1000 | 0.200 | 5.9 | 4 | 2.050 | 52.07 | 0.900 | 22.86 | 0.700 | 17.78 | 0.050 | 1.27 | 2.180 | 55.37 | 1.200 | 30.48 |

FIGURE 3: 2-LEAD VERTICAL BASE MOUNT

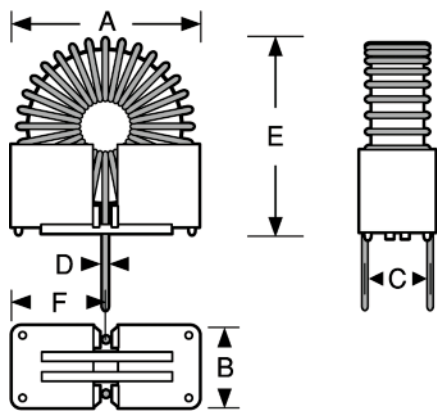
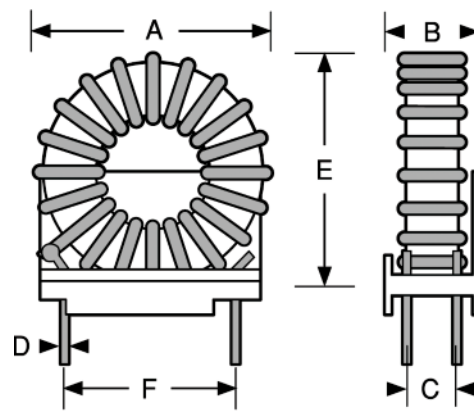
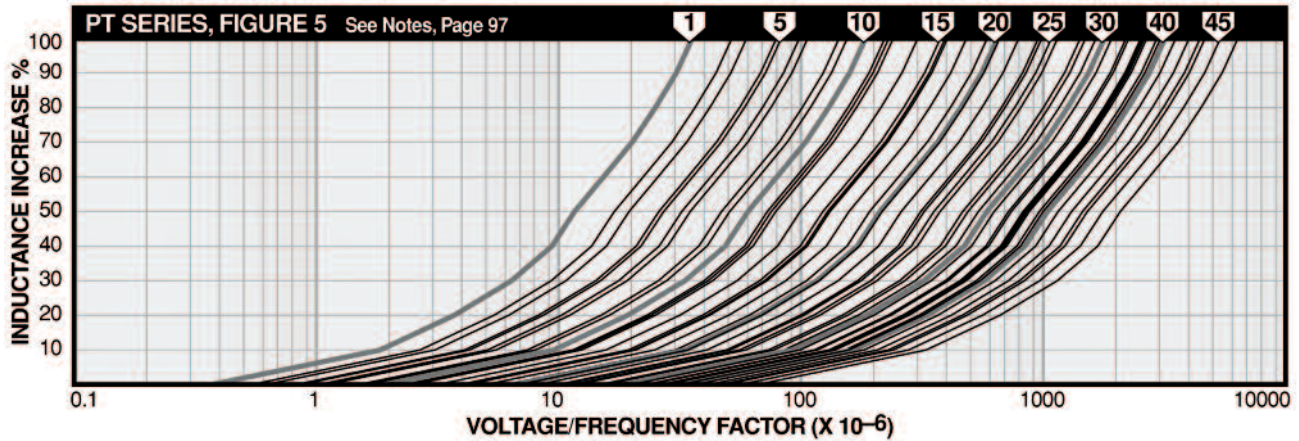


FIGURE 4: 4-LEAD VERTICAL BASE MOUNT

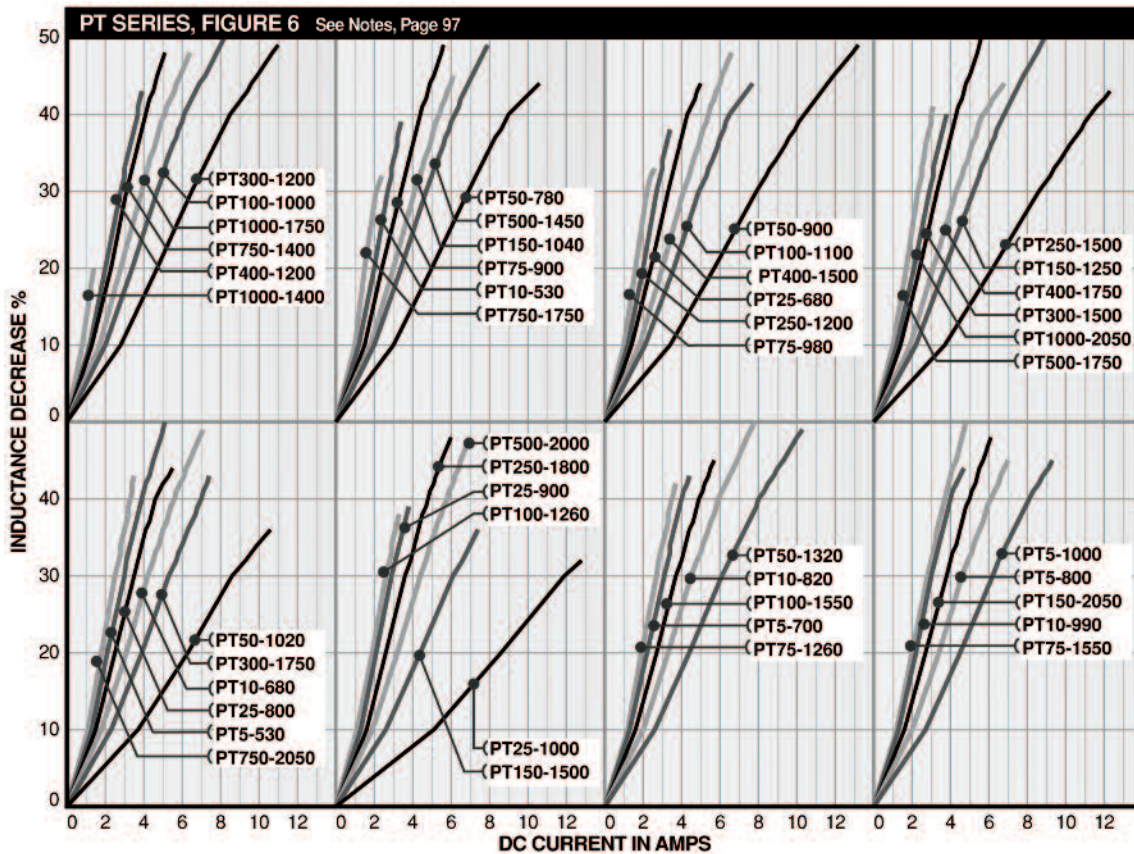


Power Toroids - Horizontal or Vertical Mount



KEY TO FIGURE 5 CURVE NUMBERS Graphs apply to all mounting styles. For more detailed graphs, contact factory.

- | | | | | | | | |
|-------------|---------------|----------------|----------------|----------------|----------------|-----------------|-----------------|
| 1) PT5-530 | 7) PT10-820 | 13) PT50-780 | 19) PT100-1100 | 25) PT100-1550 | 31) PT400-1200 | 37) PT500-1450 | 43) PT500-2000 |
| 2) PT10-530 | 8) PT10-990 | 14) PT50-900 | 20) PT50-1320 | 26) PT150-1250 | 32) PT300-1500 | 38) PT400-1750 | 44) PT1000-1750 |
| 3) PT5-700 | 9) PT25-680 | 15) PT75-900 | 21) PT150-1040 | 27) PT150-1500 | 33) PT400-1500 | 39) PT750-1400 | 45) PT750-2050 |
| 4) PT5-800 | 10) PT25-800 | 16) PT75-980 | 22) PT75-1260 | 28) PT250-1200 | 34) PT250-1800 | 40) PT500-1750 | 46) PT1000-2050 |
| 5) PT10-680 | 11) PT25-900 | 17) PT50-1020 | 23) PT100-1260 | 29) PT300-1200 | 35) PT150-2050 | 41) PT1000-1400 | |
| 6) PT5-1000 | 12) PT25-1000 | 18) PT100-1000 | 24) PT75-1550 | 30) PT250-1500 | 36) PT300-1750 | 42) PT750-1750 | |



For more detailed graphs, contact factory

