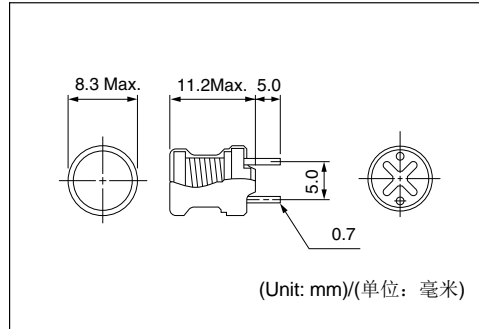
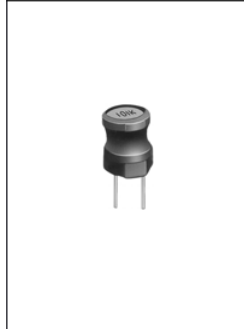


8RB

Inductance Range / 电感值范围 : 0.1~33mH
DIMENSIONS / 尺寸

FEATURES / 特点

- Ideal as a choke or a trap coil for low profile equipment.
- Entire winding core is encapsulated in heat shrunk plastic housing to provide mechanical and environmental protection.
- RoHS compliant.
- 是适用于薄型设备的扼流线圈或陷波线圈的理想选择。
- 整个线圈芯包进热压缩塑料套内, 以进行机械 and 环境保护。
- 符合RoHS指令。

SELECTION GUIDE FOR STANDARD COILS / 标准线圈选择指南
TYPE 8RB / 8RB型

东光零件号码 ⁽¹⁾	电感值 ⁽²⁾	公差	测试频率	最大直流电阻	最大额定直流电流 ⁽³⁾	最小自谐振频率 ⁽⁴⁾
TOKO Part Number ⁽¹⁾	Inductance ⁽²⁾ (mH)	Tolerance (%)	Test Frequency (kHz)	DC Resistance (Ω) Max.	Rated DC Current ⁽³⁾ (mA) Max.	Self-resonant Frequency ⁽⁴⁾ (MHz) Min.
#187LY-101()	0.10	± 5, ± 10	796	2.0	200	5.3
#187LY-121()	0.12	± 5, ± 10	796	3.0	200	4.5
#187LY-151()	0.15	± 5, ± 10	796	3.0	200	3.8
#187LY-181()	0.18	± 5, ± 10	796	3.0	200	3.8
#187LY-221()	0.22	± 5, ± 10	796	3.0	200	2.9
#187LY-271()	0.27	± 5, ± 10	796	3.0	200	2.6
#187LY-331()	0.33	± 5, ± 10	796	4.0	200	2.3
#187LY-391()	0.39	± 5, ± 10	796	4.0	200	2.1
#187LY-471()	0.47	± 5, ± 10	796	4.0	200	1.9
#187LY-561()	0.56	± 5, ± 10	796	4.0	200	1.7
#187LY-681()	0.68	± 5, ± 10	796	4.0	200	1.6
#187LY-821()	0.82	± 5, ± 10	796	6.0	200	1.4
#187LY-102()	1.0	± 5, ± 10	252	6.0	150	1.3
#187LY-122()	1.2	± 5, ± 10	252	9.0	150	1.2
#187LY-152()	1.5	± 5, ± 10	252	9.0	150	1.1
#187LY-182()	1.8	± 5, ± 10	252	9.0	100	1.0
#187LY-222()	2.2	± 5, ± 10	252	13.0	100	0.9
#187LY-272()	2.7	± 5, ± 10	252	13.0	100	0.8
#187LY-332()	3.3	± 5, ± 10	252	13.0	100	0.7
#187LY-392()	3.9	± 5, ± 10	252	13.0	50	0.7
#187LY-472()	4.7	± 5, ± 10	252	18.0	50	0.6
#187LY-562()	5.6	± 5, ± 10	252	18.0	50	0.6
#187LY-682()	6.8	± 5, ± 10	252	26.0	50	0.5
#187LY-822()	8.2	± 5, ± 10	252	26.0	50	0.5
#187LY-103()	10.0	± 5, ± 10	79.6	40.0	40	0.4
#187LY-123()	12.0	± 5, ± 10	79.6	40.0	40	0.4
#187LY-153()	15.0	± 5, ± 10	79.6	60.0	40	0.4
#187LY-183()	18.0	± 5, ± 10	79.6	60.0	30	0.3
#187LY-223()	22.0	± 5, ± 10	79.6	80.0	30	0.3
#187LY-273()	27.0	± 5, ± 10	79.6	80.0	30	0.3
#187LY-333()	33.0	± 5, ± 10	79.6	80.0	30	0.3

(1) Add the tolerance code of Inductance to within the () of the Part Number as follows: J= ± 5%, K= ± 10%.

(2) Q and Inductance are measured with a Q meter YHP-4343B or equivalent.

(3) Rated DC current is that at which the inductance value decreases by 10% by the excitation with DC current, measured at 1kHz with a universal bridge or equivalent.

(4) Self-resonant frequency is for reference only.

(1) 加电感值代码到零件代码的 () 内, 如: J=±5%, K=±10%。

(2) 使用一个Q仪表YHP-4343B或同类仪器测试Q值和电感值。

(3) 额定直流电流是使用万用桥或同类工具在通过直流电使电感值减小10%的情况下在1kHz下进行测试。

(4) 自谐振频率是仅供参考。