

CM5441Z101B-10

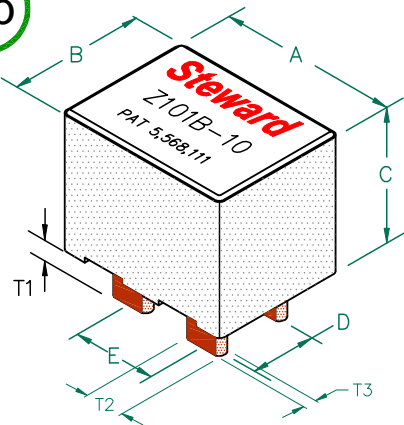
UNCONTROLLED DOCUMENT

PHYSICAL DIMENSIONS:

A	13.72 [.540]	± 0.20 [.008]
B	10.41 [.410]	± 0.15 [.006]
C	10.52 [.414]	± 0.25 [.010]
D	5.28 [.208]	± 0.13 [.005]
E	6.35 [.250]	± 0.10 [.004]

WIRE DIMENSIONS:

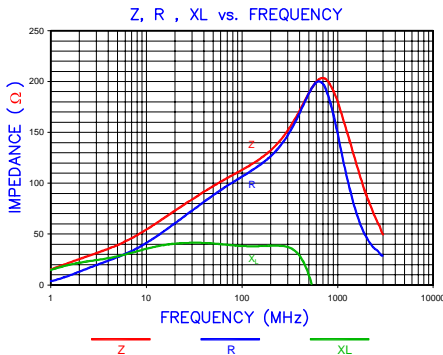
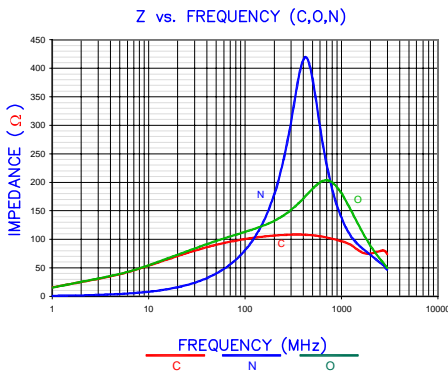
T1	3.05 [.120]	± 0.33 [.013]
T2	3.07 [.121]	± 0.05 [.002]
T3	0.97 [.038]	± 0.05 [.002]



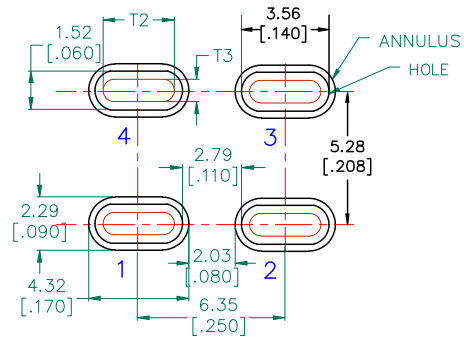
ELECTRICAL CHARACTERISTICS:			
Z @ 100MHz (Ω)	DCR (Ω)	Rated Current	
Nominal	100		
Minimum	75		
Maximum	-	.0003	*75,000 mA

NOTES: UNLESS OTHERWISE SPECIFIED

- BULK PACKED, 825 per CASE.
- * MAXIMUM CURRENT IS:
75,000 mA @ 30° C RISE.
30,000 mA @ 25° C RISE.
- COMPONENTS SHOULD BE ADEQUATELY PRE-HEATED BEFORE SOLDERING.
- TERMINATION FINISH IS 100% TIN.
- THIS PART HAS NO PIN POLARITY.



HOLE PATTERN FOR WAVE SOLDERING



DIMENSIONS ARE IN mm (INCHES).		THIS DOCUMENT CONTAINS INFORMATION WHICH IS PROPRIETARY AND CONFIDENTIAL TO STEWARD. NO PRODUCTION OR PUBLICATION OF THIS DOCUMENT IN WHOLE OR IN PART SHALL BE MADE WITHOUT WRITTEN AUTHORIZATION FROM STEWARD.			
		Steward			
		PROJECT/PART NUMBER:	REV:	PART TYPE:	DRAWN BY:
		CM5441Z101B-10	A	ASSEMBLY	JRK
		DATE:	SCALE:	SHEET:	
		06/09/04	NTS	2 of 3	
REV	DESCRIPTION	DATE	INT	CAD #	TOOL #
A	ORIGINAL DRAFT	06/09/04	JRK	CM5441Z101B-10-A-2	HO540-0

AGILENT E4991A RF Impedance/Material Analyzer
HP 16194A Test Fixture. TEST REF. 3007