

CM2545X171R-10

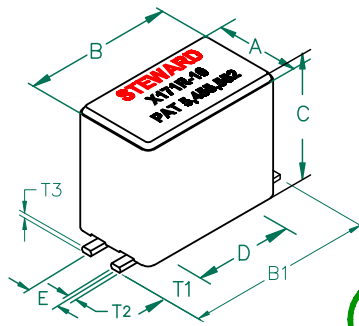
UNCONTROLLED DOCUMENT

PHYSICAL DIMENSIONS:

| | | |
|----|--------------|---------------|
| A | 6.30 [.248] | ± 0.10 [.004] |
| B | 11.38 [.448] | ± 0.18 [.007] |
| B1 | 14.10 [.555] | MAX |
| C | 9.32 [.367] | ± 0.18 [.007] |
| C1 | 10.16 [.400] | MAX |
| D | 7.62 [.300] | ± 0.10 [.004] |
| E | 2.54 [.100] | ± 0.13 [.005] |

WIRE DIMENSIONS:

| | | |
|----|-------------|---------------|
| T1 | 2.90 [.114] | ± 0.25 [.010] |
| T2 | 0.84 [.033] | TYP. |
| T3 | 0.46 [.018] | TYP. |



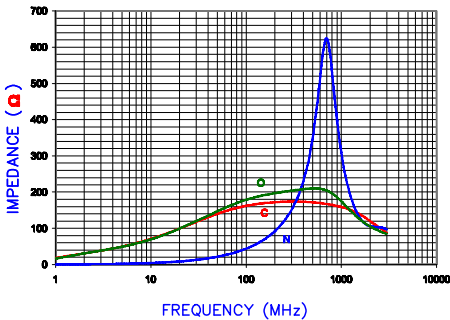
ELECTRICAL CHARACTERISTICS:

| Z @ 100MHz (Ω) | DCR (Ω) | Rated Current |
|-------------------|------------|---------------|
| Nominal | 170 | |
| Minimum | 128 | |
| Maximum | - | 10,000 mA |

NOTES: UNLESS OTHERWISE SPECIFIED

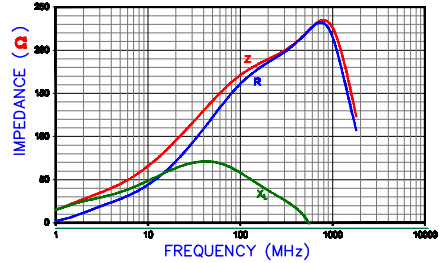
1. TAPED AND REELED per CURRENT EIA SPECIFICATIONS 13" REELS, 400 PCS/REEL.
2. COMPONENTS SHOULD BE ADEQUATELY PREHEATED BEFORE SOLDERING.
3. REF. CARRIER TAPE SPEC. # CART249-63.
4. TERMINATION FINISH IS 100% TIN.
5. THIS PART HAS NO PIN POLARITY.

Z vs. FREQUENCY (C,O,N)

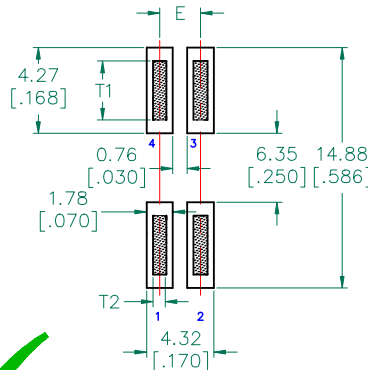


FREQUENCY (MHz)

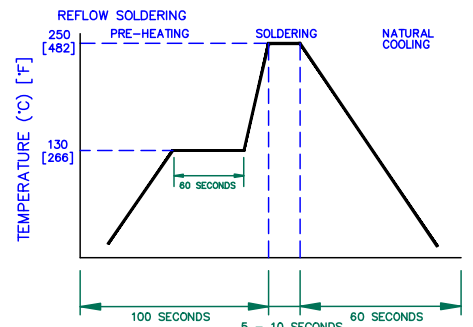
C N O
Z, R, XL vs. FREQUENCY



LAND PATTERN FOR REFLOW SOLDERING



RECOMMENDED SOLDERING CONDITIONS



DIMENSIONS ARE IN mm [INCHES].

THIS DOCUMENT CONTAINS INFORMATION WHICH IS PROPRIETARY AND CONFIDENTIAL TO STEWARD. NO PRODUCTION OR PUBLICATION OF THIS DOCUMENT IN WHOLE OR IN PART SHALL BE MADE WITHOUT WRITTEN AUTHORIZATION FROM STEWARD.



| | | | |
|---|---------------------|------------------|-------------------------|
| PROJECT/PART NUMBER: CM2545X171R-10 | | REV: B | DRAWN BY: JRK |
| B | UPDATE COMPANY LOGO | 05/18/07 | JRK |
| A | ORIGINAL DRAFT | 5/26/04 | JRK |
| REV | DESCRIPTION | DATE | |
| DATE: 5/26/04 | | SCALE: NTS | SHEET: 2 of 3 |
| CAGE # CM2545X171R-10-B-2 | | TOOL # H0249-600 | |

AGILENT E4991A RF Impedance/Material Analyzer
HP 16194A Test Fixture. TEST REF. 3007