

PRODUCT PREVIEW

THE VE790 SERIES PROVIDES A TOTAL LINE CARD SOLUTION GIVING CUSTOMERS FLEXIBILITY IN DESIGNS RANGING FROM INTERNAL OR EXTERNAL RINGING TO CALL CONTROL AGGREGATION AND CARRIER CLASS INTEGRATED LINE TESTING.

The VE790 VoiceEdge™ VE790 Series is a high-performance, highly programmable integrated voice chip set that performs all the functions necessary to create a 2-wire, twisted-pair telephone interface from any broadband digital source. The VE790 Series includes 2, 4, and 8-channel programmable codecs along with short, medium and long loop length SLIC devices that together operate with minimal external components and include software to provide a complete system solution.

Programmability and integrated line testing when used with the optional Le79112 VCP I or Le79114 VCP II device, make the Ve790 Series the most flexible chip set available.



Not actual size

		Line Testing	# of Channels	Programmable	Application	Supply Voltage	Ringing
SLICs	Le79231	Yes	1	Via SLAC	DLC, CO, IVD, FTTx, DSLAM, PBX	-99V	NA
	Le79232	Yes	2			-72V	External
	Le79242	Yes	2			-115V	Internal
	Le79252	Yes	2			Positive and Negative Battery	Internal
	Le79R241	Yes	1			-99V	Internal
Codecs	Le792288	Yes	8	Yes	DLC, CO, IVD, FTTx, DSLAM, PBX	3.3V	NA
	Le79Q2281	Possible	4	Yes		3.3V	NA
	Le79Q2284	Yes	4	Yes		3.3V	NA
VCPs	Le79112	Yes	32	Yes	DLC, CO, IVD, DSLAM, PBX	3.3V	
	Le79114	Yes	64	Yes		3.3V	

Features

- ➔ Complete system solution: SLAC device, SLIC device, LCAS device, VCP, integrated test firmware, and regional coefficient generation
- ➔ Supports comprehensive "Carrier Class" self and loop testability
- ➔ Control aggregation with the VCP
- ➔ Enables high system Integration and implementation density
- ➔ Available support tools
- ➔ Standards: compliant with all relevant ANSI and ETSI standards, including GR- 822, GR-909, and GR-844 line measurement requirements

Benefits

- ➔ Complete BORSCHT functionality in one chip set
- ➔ Provide early detection of existing or future telephone line or equipment failures and line performance characteristics
- ➔ Eliminates unnecessary truck rolls
- ➔ Carrier class line testing for remote applications
- ➔ Off-loads real time control and management from the microprocessor for up to 32 channels allowing the use of a lower cost/ power host processor
- ➔ Integrated ringing and test eliminates need for external relays
- ➔ Self diagnostics & system testing lower cost

Applications

- ➔ Central Office (CO)
- ➔ Digital Loop Carrier (DLC)
- ➔ Integrated Voice and Data (IVD)
- ➔ Voice Enabled DSLAM
- ➔ PBX / KTS
- ➔ Pair Gain

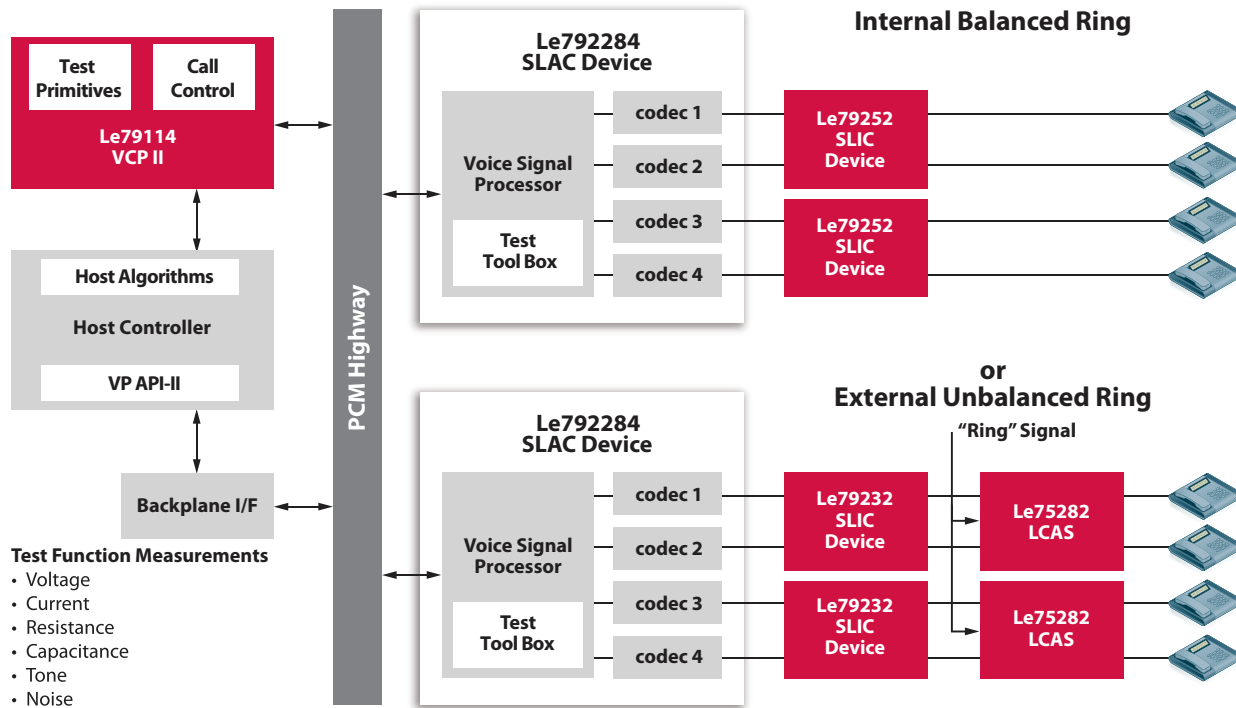
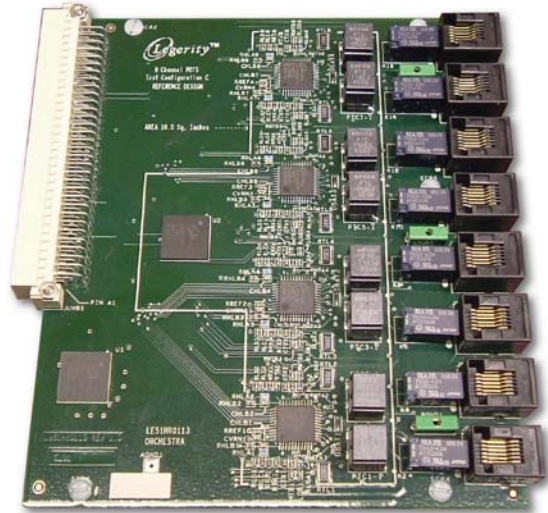
VE790 SERIES

APPLICATION

Zarlink provides, through its Legerity-branded portfolio, a world-class suite of development tools to facilitate the integration of voice into end-user applications and to significantly reduce design time.

The Software Development Kit (SDK) is a package of software tools with optional hardware tools that can be designed using Legerity's voice solutions.

Our VoicePath™ Application Programming Interface II (VP API-II) provides a standard software interface for controlling, supervising, and performing line testing using VE790 voice termination devices.



Information relating to products and services furnished herein by Zarlink Semiconductor Inc. or its subsidiaries is believed to be reliable. The products, their specifications, services and other information appearing in this publication are subject to change by Zarlink without notice.

ZARLINK, ZL, and the Zarlink logo are trademarks of Zarlink Semiconductor Inc.

© 2008, Zarlink Semiconductor Inc. All Rights Reserved. PN #081325-C1



www.ZARLINK.com