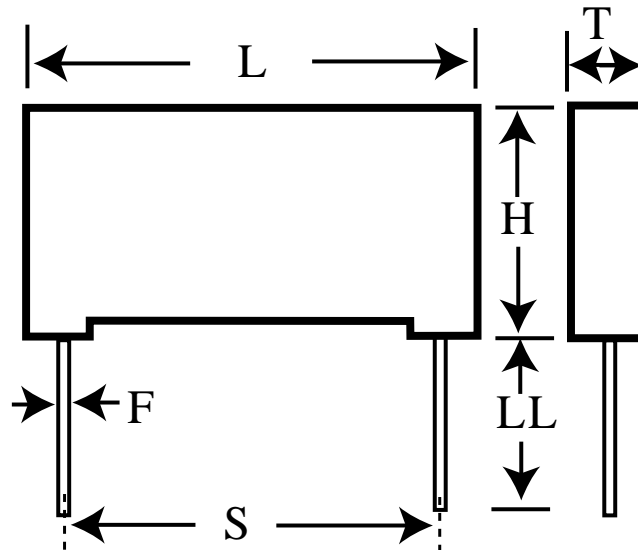


# R82EC2220AA50J

aka 82EC2220AA50J

Capacitor, film, 0.022 uF, +/-5% Tol, -55/+105C, DC General Purpose, 100V@85C, Lead Spacing=5 mm



## Dimensions (mm)

ID	Dimension	Tolerance
L	7.2	+0.2
H	6.5	+0.1
T	2.5	+0.1
S	5	+/-0.4
LL	4	+2
F	0.5	+/-0.05

## Specifications

Manufacturer:	KEMET
Brand:	Arcotronics
Capacitance:	0.022 uF
Temperature Range:	-55/+105C
Rated Temperature:	85C
Voltage @ rated temp:	100V
Voltage AC:	63VAC
Tolerance:	+/-5%
Body Type:	Radial Box
Construction:	Stacked
Application:	DC General Purpose
Dielectric:	Metallized Polyester
Dissipation Factor @ 1 kHz:	0.8%
Dissipation Factor @ 10 kHz:	1.2%
Dissipation Factor @ 100kHz:	2.5%
Insulation Resistance:	15 GOhm
Inductance:	7 nH
Maximum dVdT:	200v/us
Maximum K0:	40000V^2/us
Package Kind:	Bulk
Package Type:	Bag
Package Quantity:	3000