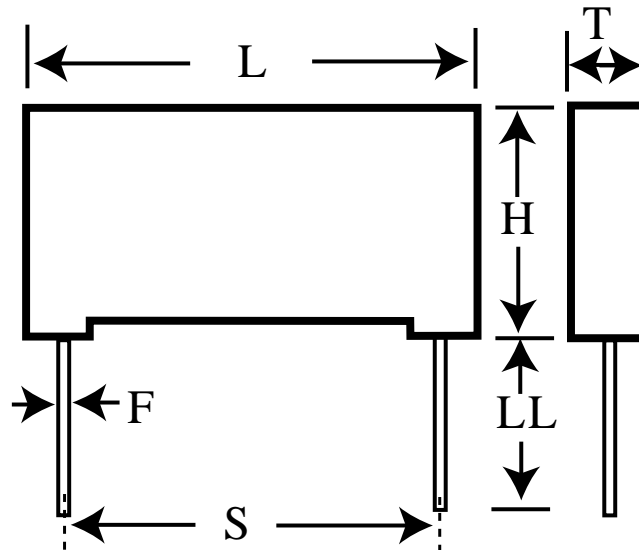


# PHE426MA5100JR05

aka F426AG103J630C PHE426MA5100JA01R05

Capacitor, film, 0.01  $\mu$ F, +/-5% Tol, -55/+105C, Pulse, 630V@85C,  
Lead Spacing=10 mm



## Dimensions (mm)

ID	Dimension	Tolerance
L	13	max
H	9	max
T	4	max
S	10	+/-0.4
LL	5	nom
F	0.6	nom

## Specifications

<b>Manufacturer:</b>	KEMET
<b>Brand:</b>	Rifa
<b>Capacitance:</b>	0.01 $\mu$ F
<b>Temperature Range:</b>	-55/+105C
<b>Rated Temperature:</b>	85C
<b>Voltage @ rated temp:</b>	630V
<b>Voltage AC:</b>	250VAC
<b>Tolerance:</b>	+/-5%
<b>Body Type:</b>	Radial Box
<b>Construction:</b>	Non-inductive
<b>Application:</b>	Pulse
<b>Sub Application:</b>	HighFrequency
<b>Dielectric:</b>	Metallized Polypropylene
<b>Dissipation Factor @ 1 kHz:</b>	0.05%
<b>Dissipation Factor @ 100kHz:</b>	0.25%
<b>Insulation Resistance:</b>	100 GOhm
<b>Inductance:</b>	6 nH
<b>Maximum dVdT:</b>	400v/us
<b>Miscellaneous Electrical:</b>	IEC 60384-16, 1.1; Rthha [85C/2.m/s] = 135 C/W series(PHE426)
<b>Package Kind:</b>	Bulk
<b>Package Quantity:</b>	1000