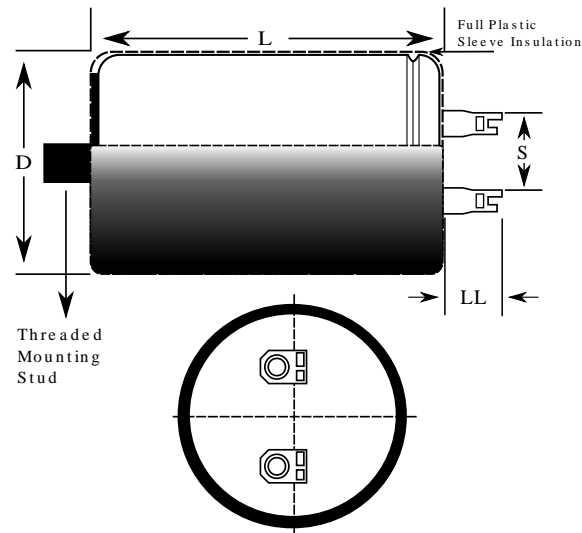


A661HJ103Q040A

aka ALT20A103DD040

Capacitor, aluminum, 10000 uF, -10/+30% Tol, -40/+85C, 40V@85C



Dimensions (mm)

ID	Dimension	Tolerance
D	40	+/-1
L	55	+/-2
S	10	+/-0.1
LL	10	+/-0.5

Specifications

Manufacturer:	KEMET
Capacitance:	10000 uF
Rated Temperature:	85C
Voltage @ rated temp:	40V
VDC Surge:	46VVDC
Life @ rated temp:	26000 h
Temperature Range:	-40/+85C
RoHS:	Yes
Low ESR:	Yes
Low Impedance:	Yes
Tolerance:	-10/+30%
Part Type Description:	Radial Cylindrical Aluminum Electrolytic
Style:	Radial Cylindrical
Lead Type:	Special
Lead Form:	Solder Tag
Lead Specification:	2 Flying Leads
Leakage Current:	2.4 mA
Leakage Condition:	5min/20c
Miscellaneous Electrical:	series (ALT20)
Package Kind:	Bulk