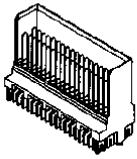


1.25mm Male, Surface Mount

2 Row (without wall)

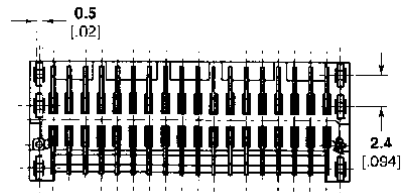
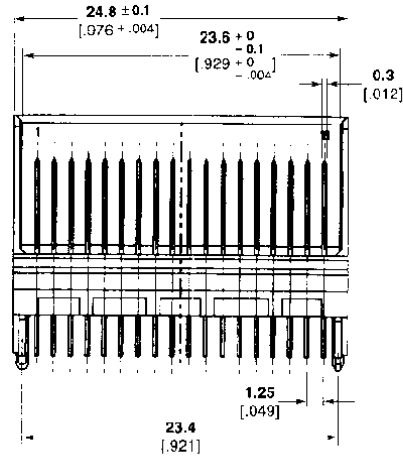
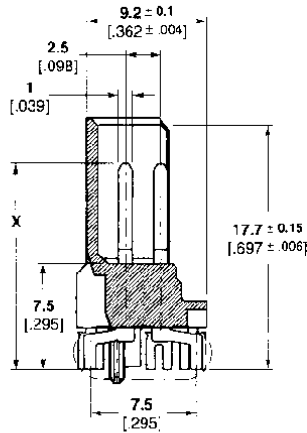


Part Number 9-1393754-6*

Material and Finish

Housing — LCP, glass fiber filled, high temperature grade, self extinguishing UL 94-V0

Contacts — high tensile copper alloy; contact surface — Ni/PdNi/Au or Ni/Au

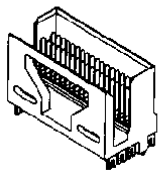


Contact Length	Dim. X
Standard	14.5
Premating	16.25

*Two components placed opposite to each other on the backplane, minimum card thickness is 3mm.

2 Row

Note: Premating contacts can be chosen by column. Contact AMP for more details.



Part Number 9-1393754-7

