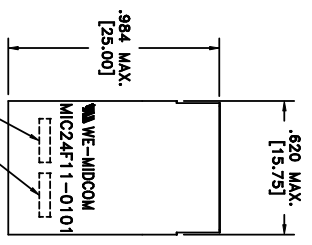
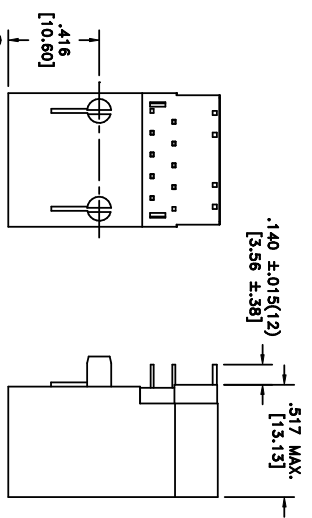
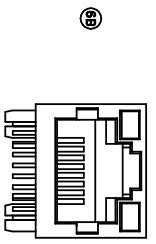


SOLDER SUFFIX	CUSTOMER TERMINAL	ROHS	LEAD(Pb)-FREE
LF3	Sn100%	Yes	Yes



WE-MIDCOM  
MIC24F11-0101  
SOLDER SUFFIX  
LOT CODE & DATE CODE

**ELECTRICAL SPECIFICATIONS @ 25°C unless otherwise noted:**

INDUCTANCE: 350µH min., 100kHz, 100mV, 8mADC, J1-J2; J3-J6, Ip.

Dielectric Rating: 1500Vrms for 1 minute between P1-J1(the P1+P4).

Turns Ratio/Polarity: (P1-P3):(J1-J2) = 1:1, ±2%.  
(P4-P6):(J3-J6) = 1:1, ±2%.

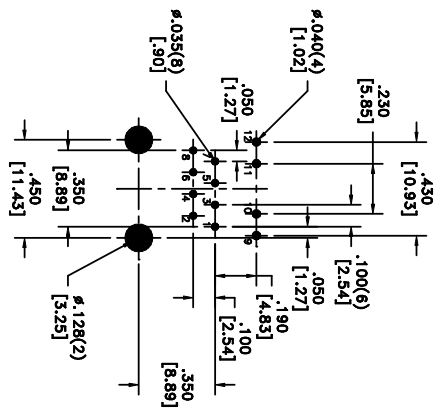
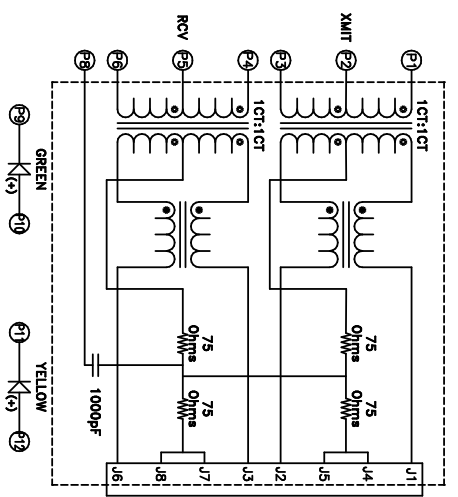
Insertion Loss: -1.0dB max., 1MHz - 100MHz.

Return Loss: -18dB min., 1M - 30MHz.  
-16dB min., 30M - 45MHz.  
-14dB min., 45M - 60MHz.  
-12dB min., 60M - 80MHz.

Crosstalk: -35dB min., 1MHz - 100MHz.

Common Mode Rejection: -35dB min., 1MHz - 100MHz.

Operating Temperature Range: 0°C to +70°C.



RECOMMENDED  
P.C. PATTERN, COMPONENT SIDE

**Midcom, Inc.**  
Wadsworth, SD USA  
Toll Free: 800-643-2661  
Fax: 605-886-4486

Unless otherwise specified:  
Tolerances: ±1/64  
Angles: ±1°  
Fractions: ±.010 [0.25]  
Decimals: ±.010 [0.25]  
This drawing is dual dimensioned. Dimensions in brackets are in millimeters.

DRAWING TITLE  
**TRANSFORMER**  
10/100Mbs

Midcom

DRAWING NO. MIC24F11-0101T-LF3  
SCALE: ---  
SHEET 2 OF 6

AGENCY NUMBER	REV
UL60950-1	1/02
E209830	68