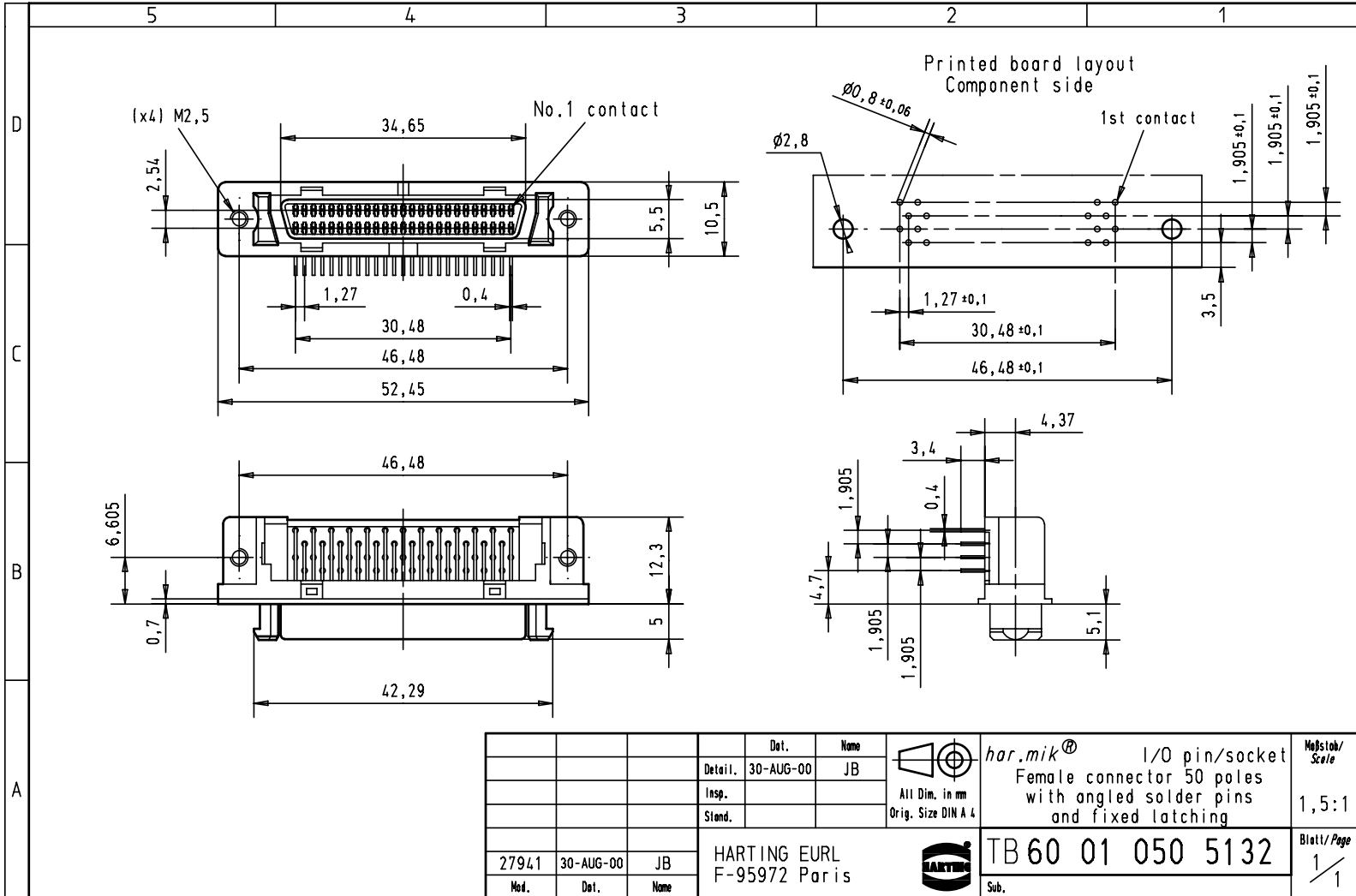



Alle Rechte vorbehalten! All rights reserved



			Det.	Name	 har.mik® I/O pin/socket Female connector 50 poles with angled solder pins and fixed latching	Maßstab/ Scale	
			Detail.	30-AUG-00		All Dim. in mm Orig. Size DIN A 4	1,5:1
			Insp.				
			Stand.			Blatt/Page	
27941	30-AUG-00	JB	HARTING EURL F-95972 Paris			TB 60 01 050 5132	1/1
Mod.	Det.	Name	Sub.				