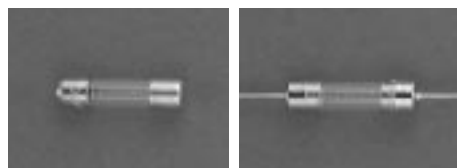


## Type 5MF / 5MFP Fast Blow Fuse Series

5 x 20mm Glass Tube

5MFD0897



### Electrical Characteristics

| Testing current | Blow Time |         |
|-----------------|-----------|---------|
|                 | Minimum   | Maximum |
| 100%            | 4 Hrs.    | N/A     |
| 135%            | N/A       | 1 Hr    |
| 200%            | N/A       | 5 Sec   |



### Approvals

| Safety Agency Approvals                 | Type       | Amp range / volt @ I.R. ability |
|---|------------|---------------------------------|
| Listed File no. E20624                  | 5MF / 5MFP | 80mA - 3A / 250V AC@ 200A       |
| Certified File no. LR39772              |            | 80mA - 8A / 125V AC@ 10,000A    |
| Approval File no. 32-1764 / no. 32-1766 | 5MF / 5MFP | 1A - 5A / 125V AC@ 500A         |
| File no. 32-1765                        | 5MF        | >5A - 15A / 125V AC@ 300A       |

### Operating Temperature

-55°C to +125°C

### Physical Specification

#### Materials

Glass body / Nickel Plated Brass Caps

Lead wire:

Tin-lead plated Copper,

Diameter 0.032", 5A and less

Diameter 0.040", 6A and above

#### Marking

On fuse:

"bel", "5MF", "Current Rating", "Voltage Rating", and "Appropriate Safety Logos"

On label:

Above info plus "CE" and interrupting rating

Voltage on fuse:

250V for 80mA to 3A; 125V for rating above 3A

#### Packaging

1. In bulk:

5MF - 1,000 pcs per box; 5MFP - 500 pcs per box

2. On Axial Tape & Reel:

1,500 pcs per reel

3. Tape & Reel specification:

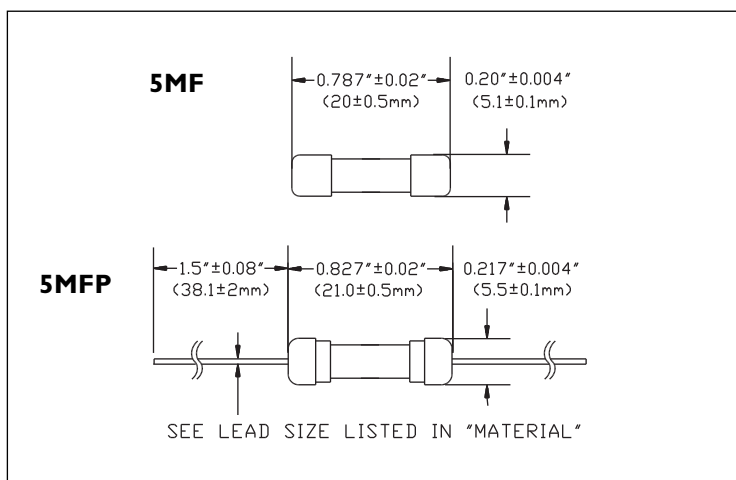
per EIA-296-E & IEC 286-1

@ 10mm Pitch and 63.5mm inside Tape Spacing

| Catalog Number | Ampere Rating | Typical Cold Resistance (ohm) | Volt-drop @100% In (Volt) max. | Melting <sup>1</sup> T < 10 mSec (A <sup>2</sup> Sec) | Melting <sup>1</sup> T @10 In (A <sup>2</sup> Sec) | Maximum Power Dissipation (W) |
|----------------|---------------|-------------------------------|--------------------------------|---|--|-------------------------------|
| 5MF (P) 80     | 80mA          | 10.2                          | 3.05                           | 0.0004  | 0.0004   | 0.32                          |
| 5MF (P) 100    | 100mA         | 7.2                           | 2.65                           | 0.0009  | 0.0008   | 0.35                          |
| 5MF (P) 125    | 125mA         | 6.8                           | 3.64                           | 0.0017  | 0.0015   | 0.60                          |
| 5MF (P) 200    | 200mA         | 3.4                           | 2.76                           | 0.007   | 0.006  | 0.72                          |
| 5MF (P) 250    | 250mA         | 2.4                           | 2.40                           | 0.014   | 0.013  | 0.79                          |
| 5MF (P) 300    | 300mA         | 1.7                           | 2.09                           | 0.028   | 0.027  | 0.84                          |
| 5MF (P) 500    | 500mA         | 0.84                          | 1.58                           | 0.116   | 0.113  | 1.04                          |
| 5MF (P) 700    | 700mA         | 0.18                          | 0.22                           | 0.390   | 0.370  | 0.20                          |
| 5MF (P) 1      | 1A            | 0.12                          | 0.20                           | 0.88  | 0.85   | 0.26                          |
| 5MF (P) 1.25   | 1.25A         | 0.09                          | 0.19                           | 1.50  | 1.48   | 0.31                          |
| 5MF (P) 1.5    | 1.5A          | 0.07                          | 0.18                           | 2.58  | 2.58   | 0.36                          |
| 5MF (P) 2      | 2A            | 0.05                          | 0.17                           | 4.4   | 4.5  | 0.44                          |
| 5MF (P) 2.5    | 2.5A          | 0.04                          | 0.16                           | 7.6   | 7.8  | 0.52                          |
| 5MF (P) 3      | 3A            | 0.03                          | 0.15                           | 13  | 14   | 0.59                          |
| 5MF (P) 3.5    | 3.5A          | 0.026                         | 0.14                           | 17  | 18   | 0.66                          |
| 5MF (P) 4      | 4A            | 0.022                         | 0.14                           | 22  | 24   | 0.73                          |
| 5MF (P) 5      | 5A            | 0.017                         | 0.13                           | 38  | 41   | 0.86                          |
| 5MF (P) 6      | 6A            | 0.013                         | 0.12                           | 66  | 72   | 0.98                          |
| 5MF (P) 7      | 7A            | 0.011                         | 0.12                           | 86  | 95   | 1.10                          |
| 5MF (P) 8      | 8A            | 0.010                         | 0.12                           | 113   | 126  | 1.22                          |

Consult manufacturer for other ratings

### Mechanical Dimensions

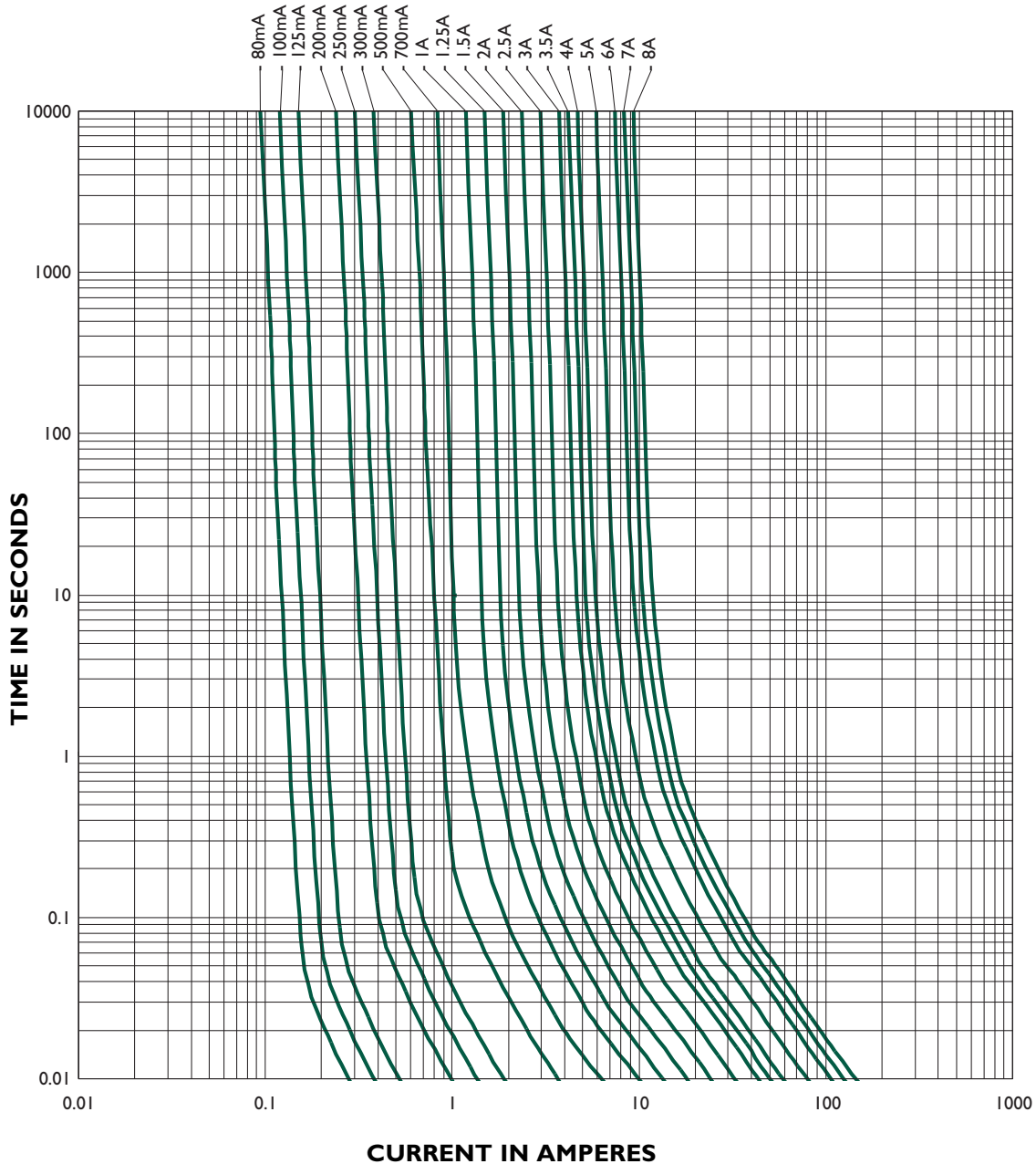


Specifications subject to change without notice

**Type 5MF / 5MFP**  
Fast Blow Fuse Series

5 x 20mm Glass Tube

**5MF / 5MFP - TIME CURRENT CHARACTERISTIC CURVE**



Specifications subject to change without notice

**Corporate Office**

Bel Fuse Inc.  
198 Van Vorst Street, Jersey City, NJ 07302  
Tel: 201-432-0463  
Fax: 201-432-9542  
E-Mail: [BelFuse@compuserve.com](mailto:BelFuse@compuserve.com)  
Internet: <http://www.belfuse.com>

**Far East Office**

Bel Fuse Ltd.  
8F/8 Luk Hop Street  
San Po Kong  
Kowloon, Hong Kong  
Tel: 852-2328-5515  
Fax: 852-2352-3706

**European Office**

Bel Fuse Europe Ltd.  
Preston Technology Management Centre  
Marsh Lane, Preston PR1 8UD  
Lancashire, U.K.  
Tel: 44-1772-556601  
Fax: 44-1772-888366