

Type 5ET / 5ETP

Time-lag Fuse Series (High Surge-proof, Enhanced-breaking Capacity)

5ETD0801



Electrical Characteristics (IEC-127-2 STANDARD SHEET 6)

Rated Current	1.5 In		2.1 In		2.75 In		4 In		10 In	
	MIN	MAX	MIN	MAX	MIN	MAX	MIN	MAX	MIN	MAX
1A to 6.3A	1	2	600	10	150	3	20	300		
	hr.	min.	ms	sec	ms	sec	ms	ms		

Approvals



Safety Agency Approvals	Amp range / Volt @ I.R. ability
<ul style="list-style-type: none"> Certificate No. 9710054 License No. 102815 Recognized File No. E20624 Acceptance File No. LR39772 	1A - 6.3A / 250V AC@ 150A

Operating Temperature

-55°C to +125°C

Physical Specification

Materials

Glass body / Nickel Plated Brass Caps

Lead wire:

Tin-lead plated Copper,

Diameter 0.032", 6.3A and less

Marking

On fuse:

"bel", "T", "Current Rating", "E", "250V" & "Appropriate Safety Logos"

On label:

Above info, "5ET" or "5ETP", Interrupting Rating plus "CE"

Catalog Number	Ampere Rating	Typical Cold Resistance (ohm)	Volt-drop @100% In (Volt) max.	Melting I ² T < 10 mSec (A ² Sec)	Melting I ² T @10 In (A ² Sec)	Maximum Power Dissipation (W)
5ET (P) 1	1A	0.11	0.13	28	29	0.42
5ET (P) 1.25	1.25A	0.08	0.12	42	43	0.42
5ET (P) 1.6	1.6A	0.06	0.12	62	64	0.51
5ET (P) 2	2A	0.04	0.11	92	95	0.61
5ET (P) 2.5	2.5A	0.03	0.11	137	142	0.74
5ET (P) 3.15	3.15A	0.022	0.10	203	211	0.90
5ET (P) 4	4A	0.016	0.10	300	313	1.08
5ET (P) 5	5A	0.012	0.10	444	465	1.31
5ET (P) 6.3	6.3A	0.009	0.09	658	691	1.58

Consult manufacturer for other ratings

Packaging

1. In bulk:

5ET - 1,000 pcs per box; 5ETP - 500 pcs per box

2. On Axial Tape & Reel:

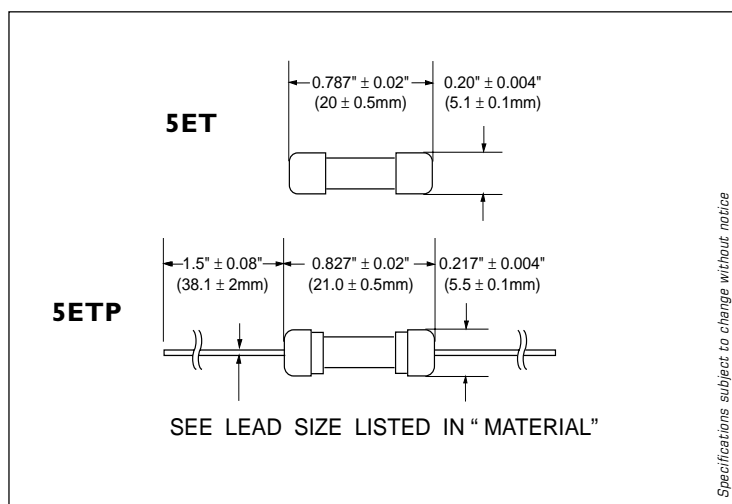
1,500 pcs per reel.

3. Tape & Reel specification:

per EIA-296-E & IEC 286-1

@ 10mm Pitch and 63.5mm inside Tape Spacing

Mechanical Dimensions



Specifications subject to change without notice

ORDERING INFORMATION SEE PAGES 67 & 68

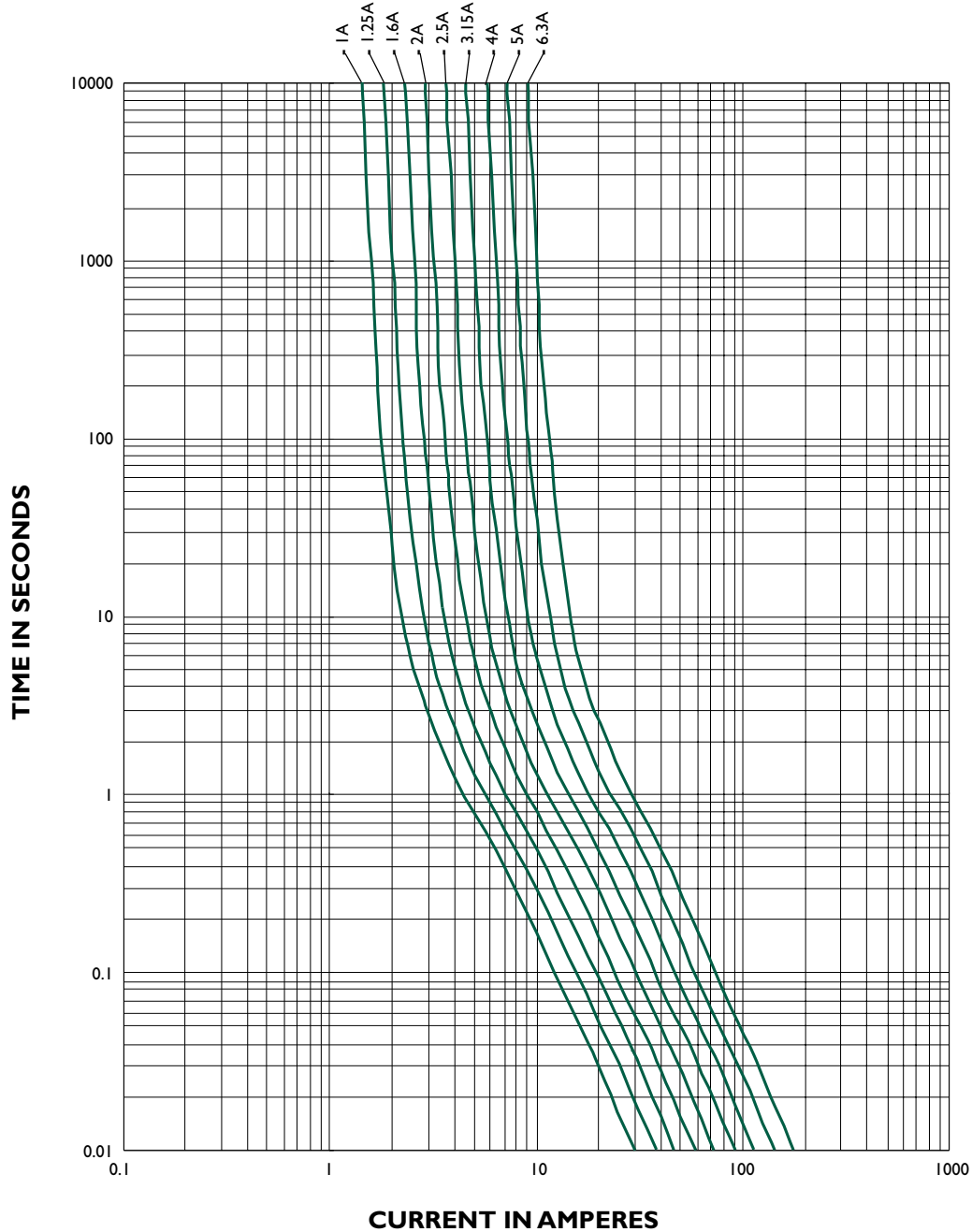
Type 5ET / 5ETP

5 x 20mm Glass Tube

Time-lag Fuse Series (High Surge-proof, Enhanced-breaking Capacity)

5ETC0801

5ET / 5ETP - TIME CURRENT CHARACTERISTIC CURVE



Specifications subject to change without notice

NOTE - see important information under "User Guide" on P.08

Corporate Office

Bel Fuse Inc.
 206 Van Vorst Street, Jersey City, NJ 07302
 Tel: 201-432-0463
 Fax: 201-432-9542
 E-Mail: belfuse@belfuse.com
 Website: www.belfuse.com

Far East Office

Bel Fuse Ltd.
 8F/8 Luk Hop Street
 San Po Kong
 Kowloon, Hong Kong
 Tel: 852-2328-5515
 Fax: 852-2352-3706

European Office

Bel Fuse Europe Ltd.
 Preston Technology Management Centre
 Marsh Lane, Preston PR1 8UD
 Lancashire, U.K
 Tel: 44-1772-556601
 Fax: 44-1772-888366