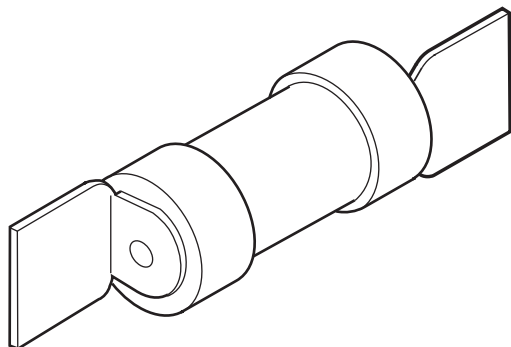


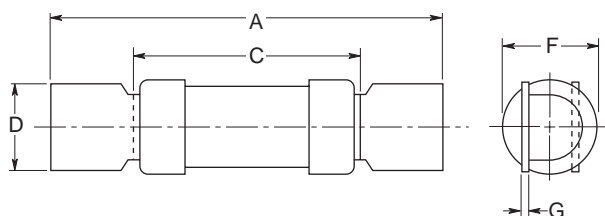
Industrial HRC Fuse

12 x 48mm, BS88: Part 6, IEC 269-1
Offset Blade Tags

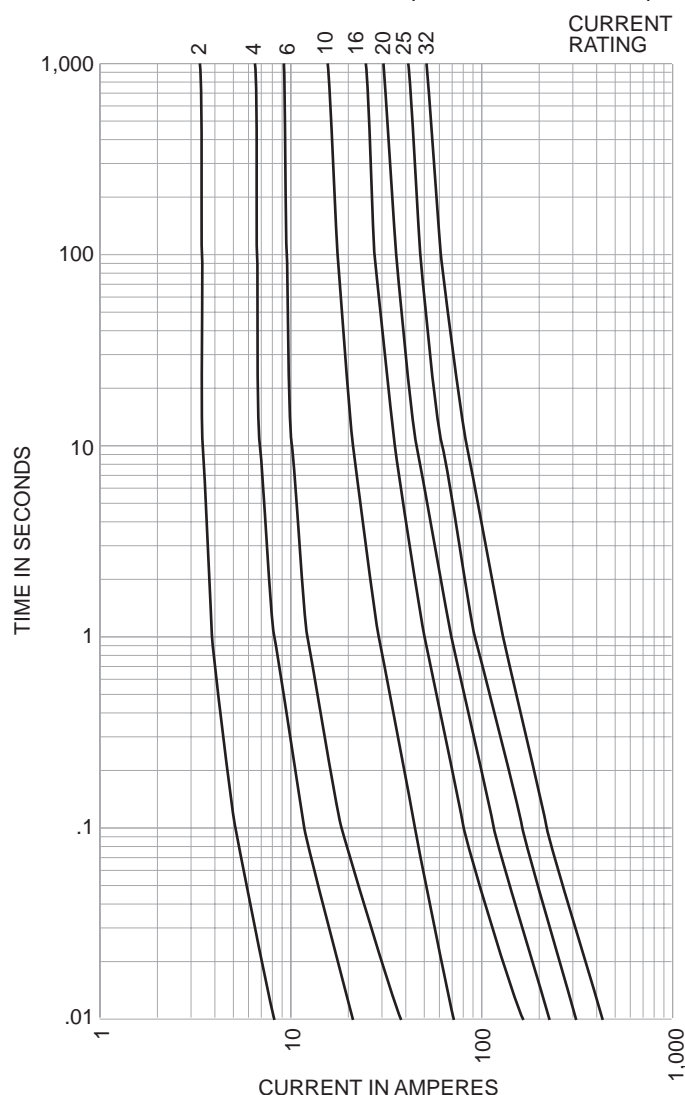


CATALOG SYMBOL: SSD
INDUSTRIAL HRC FUSE
OFFSET BLADE TAGS
PACKAGE QUANTITY: 20
33kA INTERRUPTING RATING

Dimensional Data:



Time-Current Characteristic Curve (Full Size Curves Available)



Electrical Characteristics

| Catalog Number | Ampere Rating | I ² T (Amp ² Seconds) | | Watts Loss | Nom Rated Voltage | Dimensions (Inches/mm) | | | | |
|----------------|---------------|---|---------------|------------|-------------------|------------------------|------|------|--------------|-------------|
| | | Pre-Arcing | Total At 415V | | | A | C | D | F | G |
| SSD2 | 2 | 0.8 | 1 | 0.5 | 240AC | 47.0 | 23.0 | 12.7 | 0.47 12.0 | 0.03 0.8 |
| SSD4 | 4 | 5.4 | 8 | 1 | | | | | | |
| SSD6 | 6 | 15 | 22 | 1.6 | | | | | | |
| SSD10 | 10 | 28 | 42 | 1.2 | | | | | | |
| SSD16 | 16 | 160 | 250 | 1.5 | | | | | | |
| SSD20 | 20 | 293 | 450 | 1.7 | | | | | | |
| SSD25 | 25 | 800 | 1300 | 1.8 | | | | | | |
| SSD32 | 32 | 1600 | 2500 | 2.4 | | | | | | |

The only controlled copy of this BIF document is the electronic read-only version located on the Bussmann Network Drive. All other copies of this BIF document are by definition uncontrolled. This bulletin is intended to clearly present comprehensive product data and provide technical information that will help the end user with design applications. Bussmann reserves the right, without notice, to change design or construction of any products and to discontinue or limit distribution of any products. Bussmann also reserves the right to change or update, without notice, any technical information contained in this bulletin. Once a product has been selected, it should be tested by the user in all possible applications.