

Limitron®  
Fast-Acting Fuses  
250 Volt

KTN-R  
1-600A

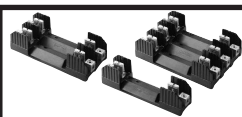


Catalog Symbol: KTN-R (250V)  
Fast-Acting  
Current-Limiting  
Ampere Rating: 1 to 600A  
Voltage Rating: 250 ac Vac (or less)\*  
Interrupting Rating: 200,000A RMS Sym.  
Tube Material: Glass Melamine  
End Caps: 70/30 Brass  
Operating Temp.: -40°C to +85°C  
Storage Temp.: -55°C to +85°C  
Agency Information:  
UL Listed, Std. 248-12, Class RK1, Guide JDDZ, File E54273  
CSA Certified, C22.2 No. 248.12, Class 1422-02, File 53787  
\*0-600A is rated 250Vdc and 10 KAIC.

Catalog Numbers

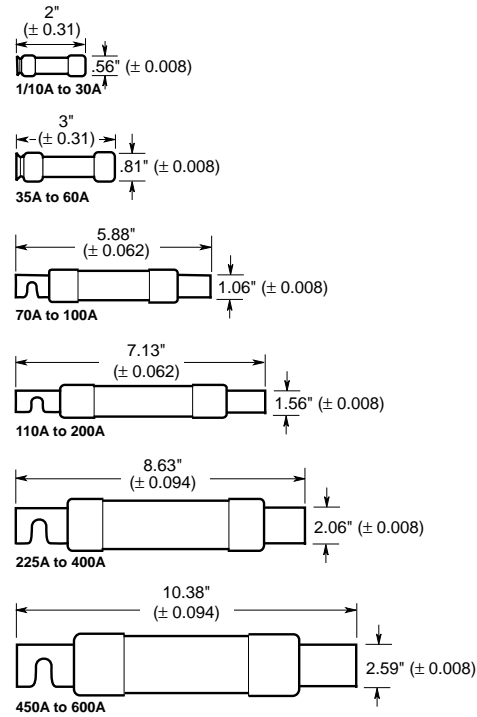
KTN-R-1	KTN-R-30	KTN-R-125
KTN-R-2	KTN-R-35	KTN-R-150
KTN-R-3	KTN-R-40	KTN-R-175
KTN-R-4	KTN-R-45	KTN-R-200
KTN-R-5	KTN-R-50	KTN-R-225
KTN-R-6	KTN-R-60	KTN-R-250
KTN-R-8	KTN-R-70	KTN-R-300
KTN-R-10	KTN-R-75	KTN-R-350
KTN-R-12	KTN-R-80	KTN-R-400
KTN-R-15	KTN-R-90	KTN-R-450
KTN-R-20	KTN-R-100	KTN-R-500
KTN-R-25	KTN-R-110	KTN-R-600

CE logo denotes compliance with European Union Low Voltage Directive (50-1000Vac, 75-1500Vdc). Refer to Data Sheet: 8002 or contact Bussmann Application Engineering at 314-527-1270 for more information.



Recommended fuseblocks for Class R 250V fuses  
See Data Sheet: 1110

Dimensional Data



Carton Quantity and Weight (250Vac)\*

Amps	Carton Qty.	Weight**	
		Lbs.	Kg.
1-30	10	0.45	0.204
40-60	10	1.82	0.824
70-100	5	1.85	0.838
110-200	1	1.05	0.476
225-400	1	2.38	1.078
450-600	1	3.50	1.587

\*Contact Bussmann for dc ratings.  
\*\*Weight per carton.

General Information:

- Single-element, fast-acting fuses with minimal time-delay.
- Provides a high degree of short-circuit current-limitation (component protection).
- Particularly suited for circuits and loads with no heavy surge currents of motors, transformers, solenoids, and welders.
- LIMITRON fuses are commonly used to protect circuit breakers with lower interrupting ratings.
- If used in circuits with surge currents (motors, etc.) must be sized to prevent unwanted opening and thus only provide short-circuit protection.
- Incorporate Class R rejection feature. Can be inserted in non-rejection type fuseholders. Thus, can physically and electrically replace fast-acting Class H, K1, K5, RK5, and other fast-acting fuses.

# Limitron®

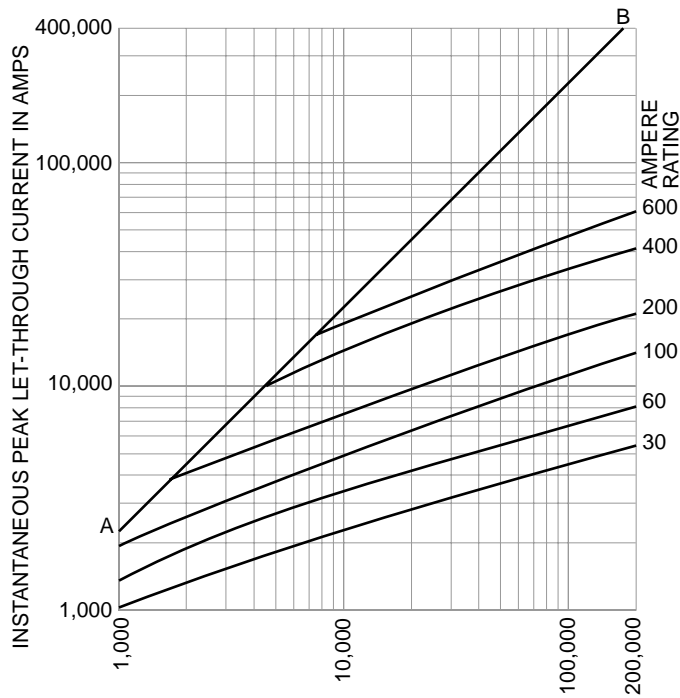
## Fast-Acting Fuses

### 250 Volt

# KTN-R

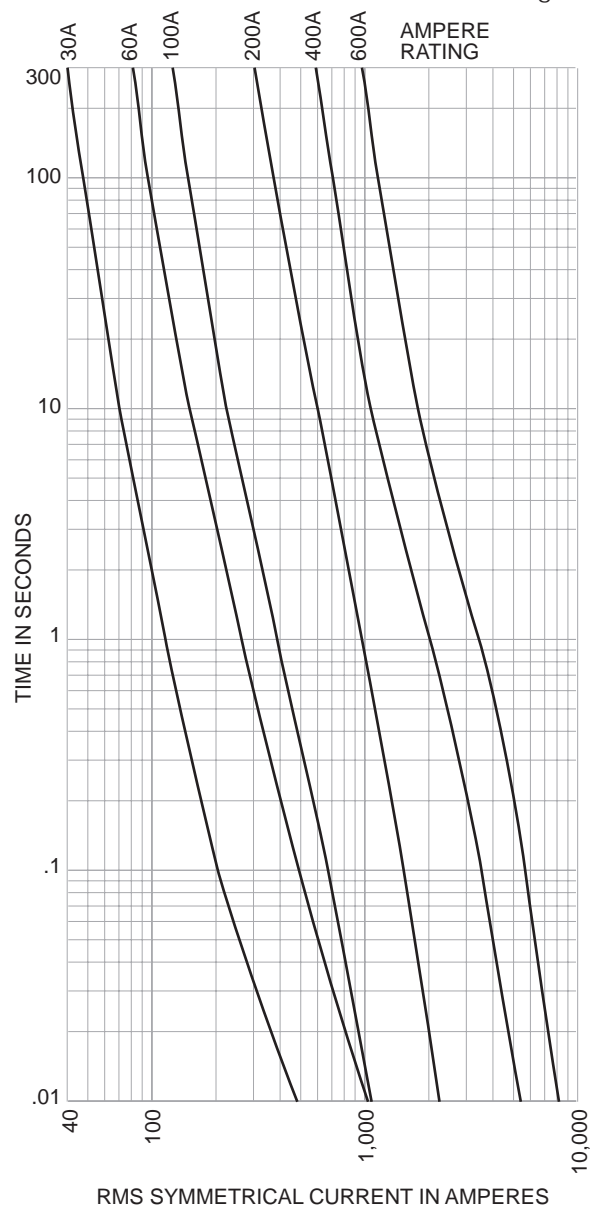
## 1-600A

Current-Limitation Curves



RMS SYMMETRICAL CURRENTS IN AMPERES  
 A-B=ASYMMETRICAL AVAILABLE PEAK (2.3 x SYMM RMS AMPS)

Time-Current Characteristic Curves-Average Melt



Class R (600V) Catalog Data

(Clip Retaining Spring Standard, Suffix "R")

Amps	Poles	Basic Catalog Number	Terminal Type (Suffix No.)				
			Screw w/	Pres. Plate	Box Lug w/	Clip CU only	1/4" Quick Connect
1/10 to 30	1	R25030-1	SR	PR	CR	COR	QR*
	2	R25030-2	SR	PR	CR	COR	QR*
	3	R25030-3	SR	PR	CR	COR	QR*
1/10 to 30	1	R25030-1	SR	PR	CR	COR	QR*
	2	R25030-2	SR	PR	CR	COR	QR*
	3	R25030-3	SR	PR	CR	COR	QR*
1 to 60	1	R25060-1	SR*	PR	CR	COR	—
	2	R25060-2	SR*	PR	CR	COR	—
	3	R25060-3	SR*	PR	CR	COR	—
61 to 100	1	R25100-1	—	—	CR	COR	—
	2	R25100-2	—	—	CR	COR	—
	3	R25100-3	—	—	CR	COR	—
101 to 200	1	R25200-1	—	—	CR	COR	—
	3	R25200-3	—	—	CR	COR	—
201 to 400	1	R25400-1	—	—	CR*	COR*	—
	3	R25400-3	—	—	CR	COR*	—
401 to 600	1	R25600-1	—	—	CR	—	—
	3	R25600-3	—	—	CR	—	—

\*UL Recognized, No CSA Certification.

The only controlled copy of this Data Sheet is the electronic read-only version located on the Bussmann Network Drive. All other copies of this document are by definition uncontrolled. This bulletin is intended to clearly present comprehensive product data and provide technical information that will help the end user with design applications. Bussmann reserves the right, without notice, to change design or construction of any products and to discontinue or limit distribution of any products. Bussmann also reserves the right to change or update, without notice, any technical information contained in this bulletin. Once a product has been selected, it should be tested by the user in all possible applications.