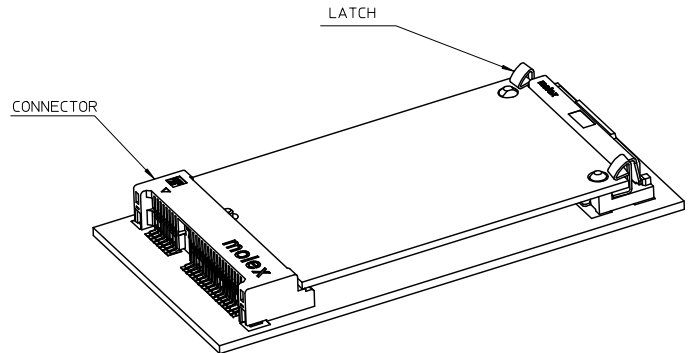
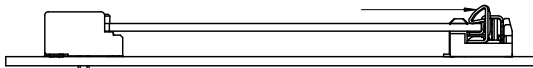


PUSH LATCH TO RELEASE MODULE



67910-5700	5.75	3.75	10 MICROINCH GOLD
67910-5701	5.75	3.75	GOLD FLASH
P/N	DIMENSION	A	B
			CONTACT PLATING

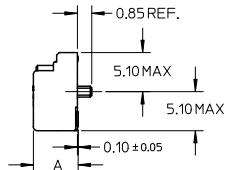
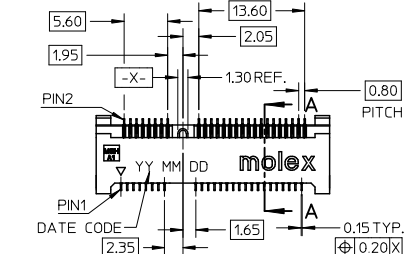
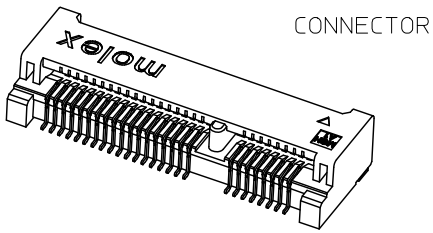
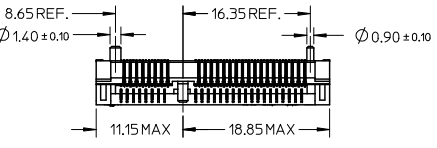
REVISED	DESCRIPTION
EC NO: SH2009-0388	2008/12/03
DRW:WZHAO	2008/12/04
CHK:CHYD	
APPR:HWANG	2008/12/09

QUALITY SYMBOLS	DESCRIPTION
▽=0	
▽=0	

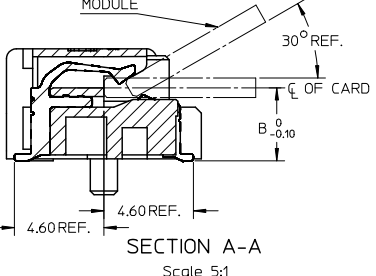
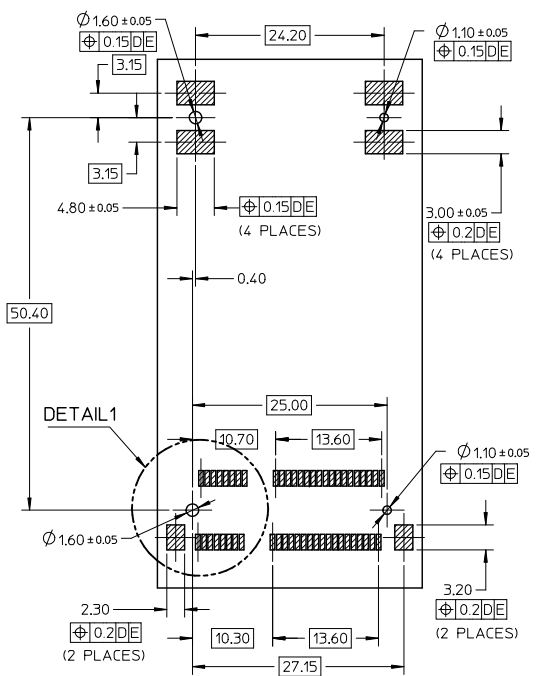
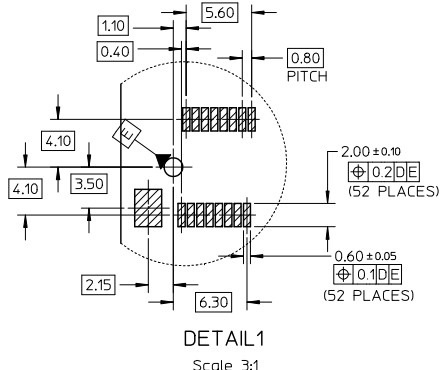
GENERAL TOLERANCES (UNLESS SPECIFIED)	
	mm INCH
4 PLACES	± --- ± ---
3 PLACES	± --- ± ---
2 PLACES	± 0.25 ± ---
1 PLACE	± 0.25 ± ---
	ANGULAR ± 3°
DRAFT WHERE APPLICABLE MUST REMAIN WITHIN DIMENSIONS	

DIMENSION STYLE	MM ONLY
SCALE	1:1
DESIGN UNITS	METRIC
THIRD ANGLE PROJECTION	
DRAWN BY	DAVID HU
DATE	2005/09/22
CHECKED BY	HARVEY
DATE	2005/10/26
APPROVED BY	GARY
DATE	2005/10/26
MATERIAL NO.	SEE SHEET 1
DOCUMENT NO.	SD-67910-004
SHEET NO.	1 OF 3

TITLE	MINI PCI EXPRESS CONN. 0.8MM PITCH 52 CIRCUIT LEAD-FREE
MOLEX INCORPORATED	
THIS DRAWING CONTAINS INFORMATION THAT IS PROPRIETARY TO MOLEX INCORPORATED AND SHOULD NOT BE USED WITHOUT WRITTEN PERMISSION	



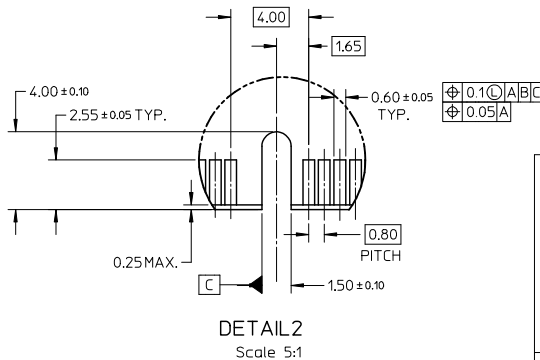
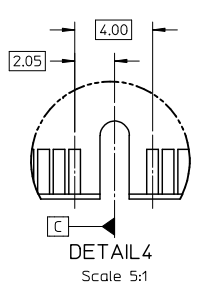
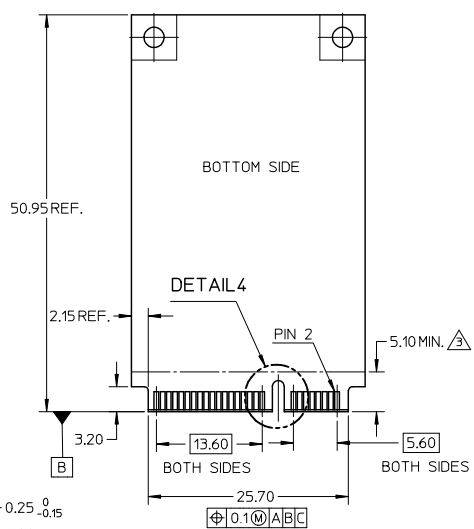
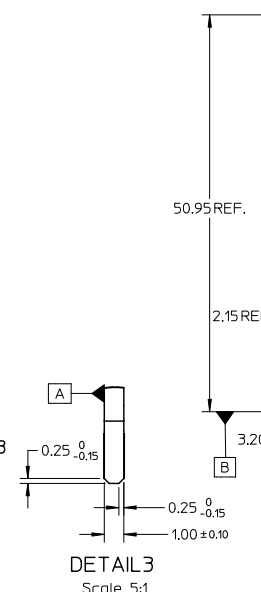
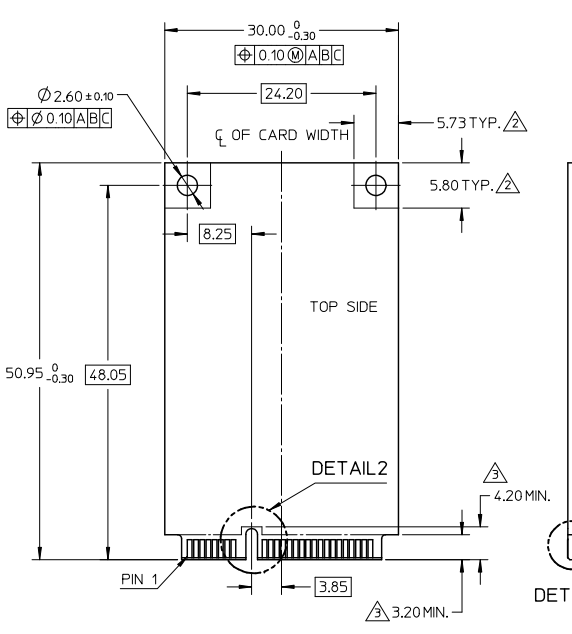
- NOTES:
- MATERIALS: HOUSING: LCP COLOR: BLACK UL94V-0
CONTACT: PHOSPHOR BRONZE
NAIL: BRASS
 - FINISH: CONTACT: SELECTIVE GOLD IN CONTACT AND SOLDER AREA
UNDERPLATED NICKEL OVERALL
NAIL: TIN IN SOLDER AREA
UNDERPLATED NICKEL OVERALL
 - THE MODULE CARD REFERENCE MINI PCI-E CARD
ELECTROMECHANICAL SPECIFICATION
 - DATUM D IS THE TOP OF SURFACE OF PCB
 - MATCHED LATCH 48099**** SERIES.
 - PART 67910**** COMPLIANT TO ROHS DIRECTIVE 2002/95/EC
AND ELV DIRECTIVE 2000/53/EC.



REVISED EC NO: SH2009-0388 2008/12/03 DRAWN: ZHAO 2008/12/04 CHKD: APPR: HWANG 2008/12/09	DESCRIPTION	QUALITY SYMBOLS	GENERAL TOLERANCES (UNLESS SPECIFIED)		DIMENSION STYLE		SCALE	DESIGN UNITS	THIRD ANGLE PROJECTION
		$\nabla = 0$ $\nabla = 0$	mm	INCH	MM ONLY	1:1	METRIC		
			4 PLACES \pm	\pm	DRAWN BY	DATE	TITLE		
			3 PLACES \pm	\pm	DAVID HU	2005/09/22	MINI PCI EXPRESS CONN. 0.8MM PITCH 52 CIRCUIT LEAD-FREE		
			2 PLACES ± 0.25	\pm	CHECKED BY	DATE	MOLEX INCORPORATED		
			1 PLACE ± 0.25	\pm	HARVEY	2005/10/26	MATERIAL NO. DOCUMENT NO. SHEET NO.		
			ANGULAR $\pm 3^\circ$		APPROVED BY	DATE	SEE SHEET 1 SD-67910-004 2 OF 3		
			DRAFT WHERE APPLICABLE MUST REMAIN WITHIN DIMENSIONS		GARY	2005/10/26	SIZE 3 THIS DRAWING CONTAINS INFORMATION THAT IS PROPRIETARY TO MOLEX INCORPORATED AND SHOULD NOT BE USED WITHOUT WRITTEN PERMISSION		

10 9 8 7 6 5 4 3 2 1

NOTES:
 1. PIN NUMBERING REFERENCE:
 ODD PINS-TOP SIDE
 EVEN PINS-BOTTOM SIDE
 2. COMPONENT AND ROUTING(ALL LAYERS)
 KEEP OUT AREA FOR HOLD DOWN SOLUTIONS
 3. COMPONENT KEEP OUT AREA FOR CONNECTOR



REVISED EC NO: SH2009-0388 DRAWN BY: DRW:ZHAO CHKD: 2008/12/04 APPR:HWANG 2008/12/09	QUALITY SYMBOLS ▽=0 ▽=0	GENERAL TOLERANCES (UNLESS SPECIFIED)		DIMENSION STYLE MM ONLY		SCALE 1:1	DESIGN UNITS METRIC	THIRD ANGLE PROJECTION		
			mm	INCH	DRAWN BY DAVID HU	DATE 2005/09/22	TITLE MINI PCI EXPRESS CONN. 0.8MM PITCH 52 CIRCUIT LEAD-FREE			
		4 PLACES	± ---	± ---	CHECKED BY HARVEY	DATE 2005/10/26	MOLEX INCORPORATED			
		3 PLACES	± ---	± ---	APPROVED BY GARY	DATE 2005/10/26	MATERIAL NO. SEE SHEET 1 DOCUMENT NO. SD-67910-004 SHEET NO. 3 OF 3			
			2 PLACES	± 0.25	± ---	DRAFT WHERE APPLICABLE MUST REMAIN WITHIN DIMENSIONS				
			1 PLACE	± 0.25	± ---	THIS DRAWING CONTAINS INFORMATION THAT IS PROPRIETARY TO MOLEX INCORPORATED AND SHOULD NOT BE USED WITHOUT WRITTEN PERMISSION				
			ANGULAR ± 3°							

9 8 7 6 5 4 3 2 1