

FILE NO. B-CD-301-01

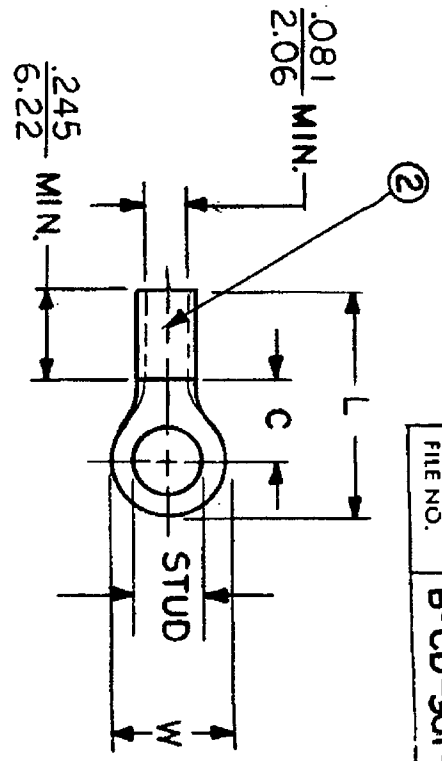
- NOTES:**
- ① MAT'L: COPPER (STOCK TKN. $\frac{.031}{.79}$)
PLATING: ELECTRO-TIN (.0003 MIN.)
 - ② BRAZED SEAM

STUD SIZES: ($\pm .005$)

- 02 = .094
- 04 = .119
- 06 = .146
- 08 = .173
- 10 = .198
- 14 = .265
- 56 = .328
- 38 = .390

"UL" LISTING # E32244
"CSA" LISTING # 18689

ALL DIMENSIONS = INCHES



WIRE SIZE: 16-14 AWG
1.0-2.5 MM²

| PART NUMBER | "W" $\pm .010$ | "C" MIN. | "L" MAX. | REFERENCE | | SCALE: NTS | DATE | TITLE: | DWG. NO. | CUSTOMER DWG. |
|-------------|----------------------|----------------------|-----------------------|----------------------------|----------------------------|------------|-----------------------|--------|----------|---------------|
| | | | | UNLESS OTHERWISE SPECIFIED | UNLESS OTHERWISE SPECIFIED | | | | | |
| B-318- | $\frac{.534}{13.56}$ | $\frac{.554}{14.07}$ | $\frac{1.115}{28.32}$ | DRWN. BY: JJ | CHKD. BY: GZ | 11.30.84 | RING TONGUE TERMINAL | A | | |
| B-323- | $\frac{.250}{6.35}$ | $\frac{.209}{5.31}$ | $\frac{.639}{16.23}$ | DRWN. BY: JJ | CHKD. BY: GZ | 11.30.84 | VERSAKRIMP 300-SERIES | A | | |
| B-325- | $\frac{.467}{11.86}$ | $\frac{.388}{9.86}$ | $\frac{.916}{23.27}$ | DRWN. BY: JJ | CHKD. BY: GZ | 11.30.84 | VERSAKRIMP 300-SERIES | A | | |
| B-337- | $\frac{.312}{7.92}$ | $\frac{.285}{7.24}$ | $\frac{.730}{18.54}$ | DRWN. BY: JJ | CHKD. BY: GZ | 11.30.84 | VERSAKRIMP 300-SERIES | A | | |
| B-339- | $\frac{.342}{8.69}$ | $\frac{.310}{7.87}$ | $\frac{.775}{19.69}$ | DRWN. BY: JJ | CHKD. BY: GZ | 11.30.84 | VERSAKRIMP 300-SERIES | A | | |

