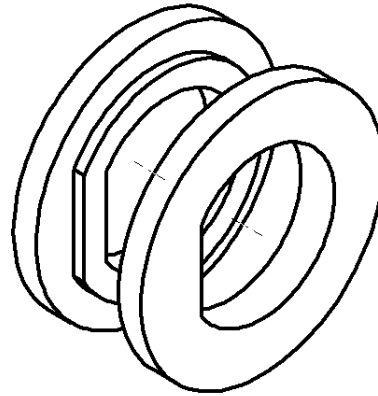
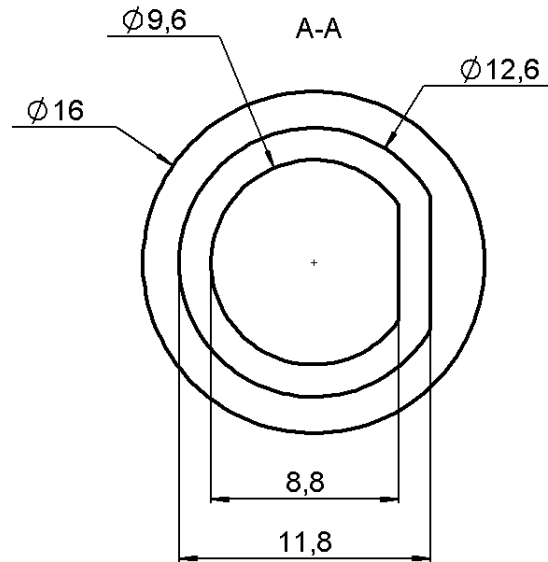
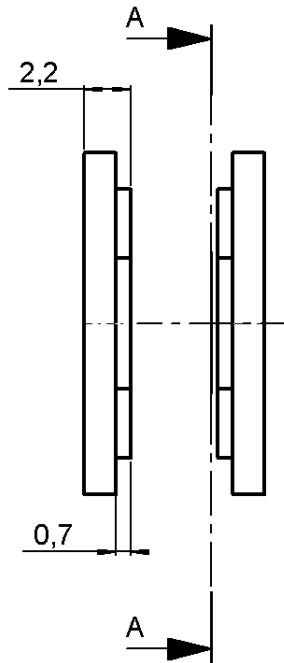


REMOVABLE CONTACT FOR GLASS SEAL

R280.902.000

PACK 10

Series : ACC-COAX



All dimensions are in mm.



COMPONENTS	MATERIALS	PLATINGS (µm)
BODY	white Nylon 20% glass fiber	-
CENTER CONTACT	-	-
OUTER CONTACT	-	-
INSULATOR	-	-
GASKET	-	-
OTHERS PARTS	-	-

Operating temperature : -40/+120° °C

Weight : 0.532 g

Others characteristics : -

Issue : 0403 A

In the effort to improve our products, we reserve the right to make changes judged to be necessary.

