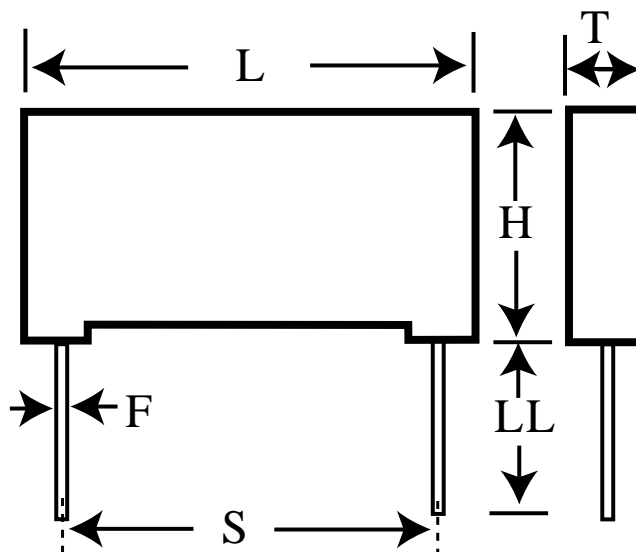


# MMK7.5105K100K04L4BULK

aka F601KM105K100C MMK7,5105K100K04L4BULK

Capacitor, film, 1 uF, +/-10% Tol, -55/+100C, DC General Purpose, 100V@85C, Lead Spacing=7.5 mm



## Dimensions (mm)

ID	Dimension	Tolerance
L	10.5	max
H	12	max
T	6	max
S	7.5	+/-0.4
LL	5	nom
F	0.6	nom

## Specifications

Manufacturer:	KEMET
Brand:	Evox
Capacitance:	1 uF
Temperature Range:	-55/+100C
Rated Temperature:	85C
Voltage @ rated temp:	100V
Voltage AC:	63VAC
Tolerance:	+/-10%
Body Type:	Radial Box
Construction:	Non-inductive
Application:	DC General Purpose
Dielectric:	Metallized Polyester
Dissipation Factor @ 1 kHz:	0.8%
Dissipation Factor @ 10 kHz:	1.5%
Insulation Resistance:	5 GOhm
Inductance:	6 nH
Maximum dVdT:	20v/us
Miscellaneous Electrical:	CECC 30401-042, IEC 60384-2, DIN 44122 series(MMK)
Package Kind:	Bulk
Package Quantity:	1000