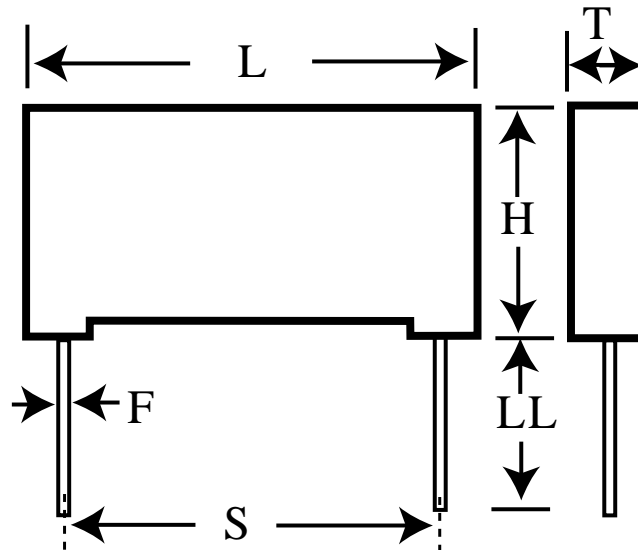


PHE426HA6100JR05

aka F426AH104J250C PHE426HA6100JA02R05

Capacitor, film, 0.1 uF, +/-5% Tol, -55/+105C, Pulse, 250V@85C, Lead Spacing=10 mm



Dimensions (mm)

ID	Dimension	Tolerance
L	13	max
H	10.5	max
T	4.5	max
S	10	+/-0.4
LL	5	nom
F	0.6	nom

Specifications

Manufacturer:	KEMET
Brand:	Rifa
Capacitance:	0.1 uF
Temperature Range:	-55/+105C
Rated Temperature:	85C
Voltage @ rated temp:	250V
Voltage AC:	160VAC
Tolerance:	+/-5%
Body Type:	Radial Box
Construction:	Non-inductive
Application:	Pulse
Sub Application:	HighFrequency
Dielectric:	Metallized Polypropylene
Dissipation Factor @ 1 kHz:	0.05%
Dissipation Factor @ 100kHz:	0.25%
Insulation Resistance:	100 GOhm
Inductance:	6 nH
Maximum dVdT:	160v/us
Miscellaneous Electrical:	IEC 60384-16, 1.1; Rthha [85C/2.m/s] = 120 C/W series(PHE426)
Package Kind:	Bulk
Package Quantity:	1000