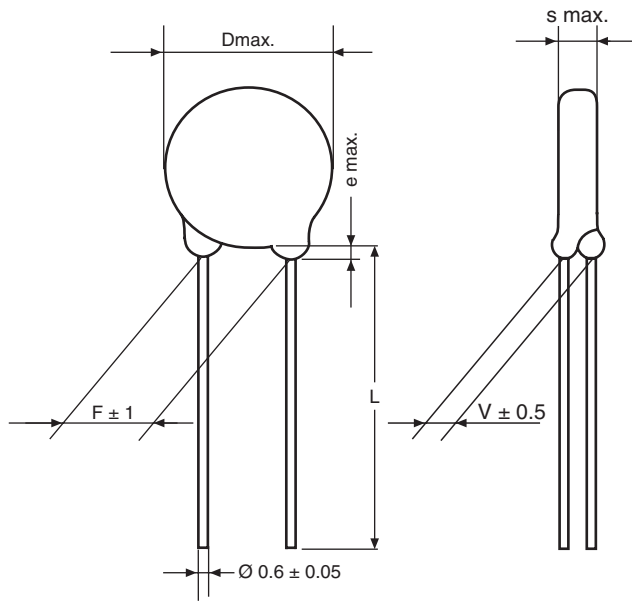


Ceramic Disc Capacitors, Class 2



Dimensions in mm

	COATING EXTENSION e	BULK STANDARD LEAD LENGTH L
All types	3 max.	30.0 + 0 - 3 or 6.0 + 0 - 1

INSULATION RESISTANCE R_{IS} :

$\geq 5 \cdot 10^9 \Omega$

MARKING:

Capacitance value	Clear text
Capacitance tolerance	with letter code
Ceramic dielectric	with letter code
	HSZ series: 'D'
	HSE series: 'E'

FEATURES:

- Terminations are lead (Pb)-free
- Product is RoHS compliant



DESIGN:

Disc capacitors with epoxy coating

RATED VOLTAGE U_R :

500 V_{DC}

DIELECTRIC STRENGTH BETWEEN LEADS:

Component test

1250 V_{DC} , 2s

DISSIPATION FACTOR $\tan \delta$:

$\leq 30 \cdot 10^{-3}$

CATEGORY TEMPERATURE RANGE ϑ_A :

(- 40 to + 85) °C

CLIMATIC CATEGORY ACC. TO EN 60068-1:

40 / 085 / 21

COATING:

Epoxy dipped, insulating, flame retarding acc. to UL 94V-0

TEMPERATURE CHARACTERISTIC OF CAPACITANCE:

See diagrams in General Information

TAPING AND SPECIAL LEAD CONFIGURATIONS:

On request

ORDERING INFORMATION

HSE	471	K	AQ	BF0	K	R
MODEL	CAPACITANCE VALUE	TOLERANCE	RATED VOLTAGE	LEAD CONFIGURATION	INTERNAL CODE	RoHS COMPLIANT



ORDERING INFORMATION, CERAMIC DISC CAPACITORS, 500 V (DC)							
C (pF)	TOL. (%)	D x s (mm)	F ± 1* (mm)	d ± 0.05* (mm)	V ± 0.5* (mm)	CERAMIC CODE	ORDERING CODE
CLASS 2 K 2000							
10	± 20 % ± 10 %	6.0 x 3.0	5	0.6	Z		HSZ100□AQ□□KR
12		6.0 x 3.0					HSZ120□AQ□□KR
15		6.0 x 3.0					HSZ150□AQ□□KR
18		6.0 x 3.0					HSZ180□AQ□□KR
22		6.0 x 3.0					HSZ220□AQ□□KR
27		6.0 x 3.0					HSZ270□AQ□□KR
33		6.0 x 3.0					HSZ330□AQ□□KR
39		6.0 x 3.0					HSZ390□AQ□□KR
47		6.0 x 3.0					HSZ470□AQ□□KR
56		6.0 x 3.0					HSZ560□AQ□□KR
68		6.0 x 3.0					HSZ680□AQ□□KR
82		6.0 x 3.0					HSZ820□AQ□□KR
100		6.0 x 3.0					HSZ101□AQ□□KR
120		6.0 x 3.0					HSZ121□AQ□□KR
150		6.0 x 3.0					HSZ151□AQ□□KR
180		6.0 x 3.0					HSZ181□AQ□□KR
220		6.0 x 3.0					HSZ221□AQ□□KR
270		6.0 x 3.0					HSZ271□AQ□□KR
330		6.0 x 3.0					HSZ331□AQ□□KR
390		6.0 x 3.0					HSZ391□AQ□□KR
470		6.0 x 3.0					HSZ471□AQ□□KR
560		7.0 x 3.0					HSZ561□AQ□□KR
680		7.0 x 3.0					HSZ681□AQ□□KR
820		7.0 x 3.0					HSZ821□AQ□□KR
1000		7.0 x 3.0					HSZ102□AQ□□KR
1200		8.0 x 3.0					HSZ122□AQ□□KR
1500		8.0 x 3.0					HSZ152□AQ□□KR
1800		8.0 x 3.0	HSZ182□AQ□□KR				
2200		9.0 x 3.0	HSZ222□AQ□□KR				
2700		11.0 x 3.0	HSZ272□AQ□□KR				
3300		11.0 x 3.0	HSZ332□AQ□□KR				
3900		13.0 x 3.0	HSZ392□AQ□□KR				
4700		13.0 x 3.0	HSZ472□AQ□□KR				
CLASS 2 K 4000							
470	+ 50 - 20 % (± 20 %)**	6.0 x 3.0	5	0.6	E		HSE471□AQ□□KR
680		6.0 x 3.0					HSE681□AQ□□KR
1000		6.0 x 3.0					HSE102□AQ□□KR
1500		7.0 x 3.0					HSE152□AQ□□KR
2200		7.0 x 3.0					HSE222□AQ□□KR
3300		11.0 x 3.0	HSE332□AQ□□KR				
4700		11.0 x 3.0	HSE472□AQ□□KR				
6800		13.0 x 3.0	HSE682□AQ□□KR				
8200		15.0 x 4.0	HSE822□AQ□□KR				
0.01 μF		15.0 x 4.0	HSE103□AQ□□KR				
							7.5

* Standard lead configuration, other lead spacing and diameter available on request.
 ** ± 20 % available on request.

ORDERING CODE			
□	7th digit	Capacitance tolerance	± 10 % = K ± 20 % = M + 50 - 20 % = S
□□□	10th to 12th digit	Lead configuration (See General Information)	
R	14th digit	RoHS Compliant Component	



Disclaimer

All product specifications and data are subject to change without notice.

Vishay Intertechnology, Inc., its affiliates, agents, and employees, and all persons acting on its or their behalf (collectively, "Vishay"), disclaim any and all liability for any errors, inaccuracies or incompleteness contained herein or in any other disclosure relating to any product.

Vishay disclaims any and all liability arising out of the use or application of any product described herein or of any information provided herein to the maximum extent permitted by law. The product specifications do not expand or otherwise modify Vishay's terms and conditions of purchase, including but not limited to the warranty expressed therein, which apply to these products.

No license, express or implied, by estoppel or otherwise, to any intellectual property rights is granted by this document or by any conduct of Vishay.

The products shown herein are not designed for use in medical, life-saving, or life-sustaining applications unless otherwise expressly indicated. Customers using or selling Vishay products not expressly indicated for use in such applications do so entirely at their own risk and agree to fully indemnify Vishay for any damages arising or resulting from such use or sale. Please contact authorized Vishay personnel to obtain written terms and conditions regarding products designed for such applications.

Product names and markings noted herein may be trademarks of their respective owners.