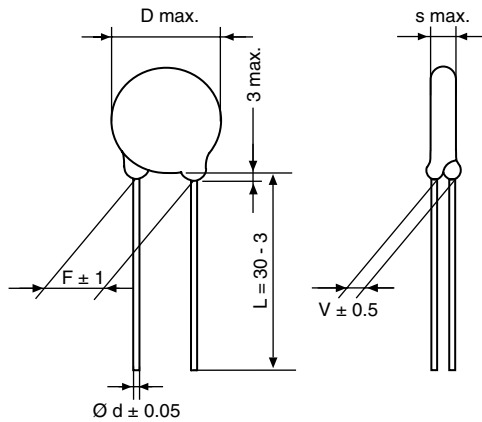


Ceramic Pulse Disc Capacitors, Class 2



Dimensions in mm

TEMPERATURE CHARACTERISTIC OF CAPACITANCE

See curve (next page)

CATEGORY TEMPERATURE RANGE (9A)

- 40 °C to + 125 °C

CLIMATIC CATEGORY TO EN60068-1

4/125/21

COATING

Epoxy dipped, insulating, flame retarding acc. to UL 94 V-0

TAPING AND SPECIAL LEAD CONFIGURATIONS

On request

FEATURES

- Compliant to RoHS directive 2002/95/EC

DESIGN

Disc capacitor with epoxy coating

RATED VOLTAGE (U_R)

HAK	1 kV _{DC}
HBK	2 kV _{DC}
HCK	3 kV _{DC}
HIK	15 kV _{DC}

DIELECTRIC STRENGTH BETWEEN LEADS

Component test

HAK	2000 V _{AC} , 50 Hz, 2 s
HBK	3000 V _{AC} , 50 Hz, 2 s
HCK	4000 V _{AC} , 50 Hz, 2 s
HIK	22 500 V _{DC} , 2 s

DISSIPATION FACTOR (tan δ)

 $\leq 5 \times 10^{-3}$

INSULATION RESISTANCE (I_R)

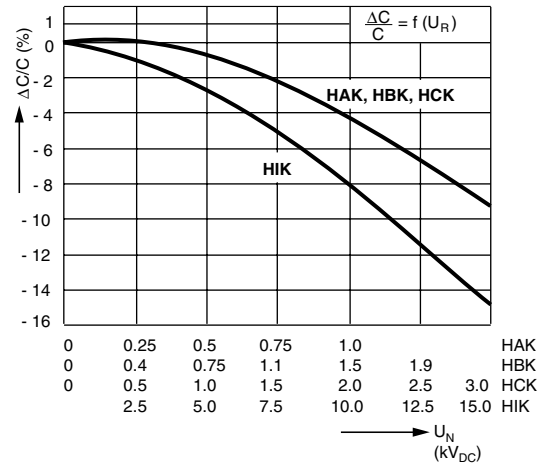
HAK, HBK, HCK	$\geq 10 \times 10^9 \Omega$
HIK	$\geq 10 \times 10^{10} \Omega$

MARKING

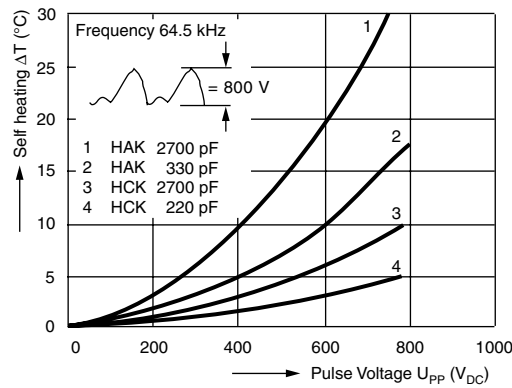
- Capacitance value - Clear text
- Capacitance tolerance - With letter code
- Rated voltage - Clear text
- Manufacturers logo - Where $D \geq 11$ mm only
- Type designation - HAK, HBK, HCK only


RoHS
COMPLIANT

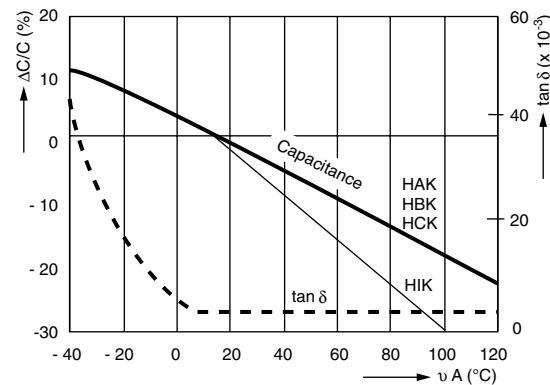
CAPACITANCE CHANGE VS. VOLTAGE



SELF HEATING



CAPACITANCE CHANGE AND DISSIPATION FACTOR VS. TEMPERATURE



ORDERING INFORMATION

HIK	471	M	BJ	EE0	K	R
MODEL	CAPACITANCE VALUE	TOLERANCE	RATED VOLTAGE	LEAD CONFIGURATION	INTERNAL CODE	RoHS COMPLIANT



ORDERING INFORMATION, CERAMIC PULSE DISC CAPACITORS, 1 kV _{DC}							
C (pF)	TOL. (%)	D x s (mm)	F ± 1 ⁽¹⁾ (mm)	d ± 0.05 ⁽¹⁾ (mm)	V ± 0.5 ⁽¹⁾ (mm)	CERAMIC CODE	ORDERING CODE
CLASS 2 K 1500							
100	± 20 % (± 10 %) ⁽²⁾	7.0 x 5.0	7.5	0.6	1.1		HAK101□BA□□□KR
150		7.0 x 5.0					HAK151□BA□□□KR
220		7.0 x 5.0					HAK221□BA□□□KR
270		7.0 x 5.0					HAK271□BA□□□KR
330		7.0 x 5.0					HAK331□BA□□□KR
390		7.0 x 5.0					HAK391□BA□□□KR
470		7.0 x 5.0					HAK471□BA□□□KR
560		8.0 x 5.0					HAK561□BA□□□KR
680		8.0 x 5.0					HAK681□BA□□□KR
820		9.0 x 5.0					HAK821□BA□□□KR
1000		9.0 x 5.0					HAK102□BA□□□KR
1200		10.0 x 5.0					HAK122□BA□□□KR
1500		11.0 x 5.0					HAK152□BA□□□KR
1800		12.0 x 5.0					HAK182□BA□□□KR
2200		12.0 x 5.0					HAK222□BA□□□KR
2700		14.5 x 5.0					HAK272□BA□□□KR
3300		14.5 x 5.0					HAK332□BA□□□KR
3900		15.5 x 5.0					HAK392□BA□□□KR
4700		16.5 x 5.0					HAK472□BA□□□KR

ORDERING INFORMATION, CERAMIC PULSE DISC CAPACITORS, 2 kV _{DC}							
C (pF)	TOL. (%)	D x s (mm)	F ± 1 ⁽¹⁾ (mm)	d ± 0.05 ⁽¹⁾ (mm)	V ± 0.5 ⁽¹⁾ (mm)	CERAMIC CODE	ORDERING CODE
CLASS 2 K 1500							
100	± 20 % (± 10 %) ⁽²⁾	7.0 x 5.0	7.5	0.6	1.6		HBK101□BF□□□KR
150		7.0 x 5.0					HBK151□BF□□□KR
220		7.0 x 5.0					HBK221□BF□□□KR
270		7.0 x 5.0					HBK271□BF□□□KR
330		7.0 x 5.0					HBK331□BF□□□KR
390		8.0 x 5.0					HBK391□BF□□□KR
470		8.0 x 5.0					HBK471□BF□□□KR
560		9.0 x 5.0					HBK561□BF□□□KR
680		9.0 x 5.0					HBK681□BF□□□KR
820		10.0 x 5.0					HBK821□BF□□□KR
1000		11.0 x 5.0					HBK102□BF□□□KR
1200		11.0 x 5.0					HBK122□BF□□□KR
1500		12.5 x 5.0					HBK152□BF□□□KR
1800		14.5 x 5.0					HBK182□BF□□□KR
2200		14.5 x 5.0					HBK222□BF□□□KR
2700		16.5 x 5.0					HBK272□BF□□□KR
3300		17.5 x 5.0					HBK332□BF□□□KR
3900		19.5 x 5.0					HBK392□BF□□□KR
4700		25.0 x 5.0					HBK472□BF□□□KR

Notes

- ⁽¹⁾ Standard lead configuration, other lead spacing and diameter available on request.
- ⁽²⁾ ± 10 % available on request.

ORDERING CODE			
□	7th digit	Capacitance tolerance	± 10 % = K ± 20 % = M
□□□	10th to 12th digit	Lead configuration (See General Information)	
R	14th digit	RoHS Compliant Component	

ORDERING INFORMATION, CERAMIC PULSE DISC CAPACITORS, 3 kV _{DC}							
C (pF)	TOL. (%)	D x s (mm)	F ± 1 ⁽¹⁾ (mm)	d ± 0.05 ⁽¹⁾ (mm)	V ± 0.5 ⁽¹⁾ (mm)	CERAMIC CODE	ORDERING CODE
CLASS 2 K 1500							
100	± 20 % (± 10 %) ⁽²⁾	7.0 x 5.0	10.0	0.6	1.1		HCK101□BC□□□KR
150		7.0 x 5.0					HCK151□BC□□□KR
220		7.0 x 5.0					HCK221□BC□□□KR
270		7.0 x 5.0					HCK271□BC□□□KR
330		8.0 x 5.0					HCK331□BC□□□KR
390		9.0 x 5.0					HCK391□BC□□□KR
470		9.0 x 5.0					HCK471□BC□□□KR
560		10.0 x 5.0					HCK561□BC□□□KR
680		10.0 x 5.0					HCK681□BC□□□KR
820		11.0 x 5.0					HCK821□BC□□□KR
1000		12.0 x 5.0					HCK102□BC□□□KR
1200		13.0 x 5.0					HCK122□BC□□□KR
1500		15.0 x 5.0					HCK152□BC□□□KR
1800		16.0 x 5.0					HCK182□BC□□□KR
2200		17.0 x 5.0					HCK222□BC□□□KR
2700		18.0 x 5.0					HCK272□BC□□□KR
3300		20.0 x 5.0					HCK332□BC□□□KR

ORDERING INFORMATION, CERAMIC PULSE DISC CAPACITORS, 15 kV _{DC}							
C (pF)	TOL. (%)	D x s (mm)	F ± 1 ⁽¹⁾ (mm)	d ± 0.05 ⁽¹⁾ (mm)	V ± 0.5 ⁽¹⁾ (mm)	CERAMIC CODE	ORDERING CODE
CLASS 2 K 1500							
100	± 20 % (± 10 %) ⁽²⁾	8.0 x 8.0	12.5	0.6	5.0		HIK101□BJ□□□KR
120		9.0 x 8.0					HIK121□BJ□□□KR
150		9.0 x 8.0					HIK151□BJ□□□KR
180		10.0 x 8.0			5.2		HIK181□BJ□□□KR
220		10.0 x 8.0					HIK221□BJ□□□KR
270		11.0 x 8.0					HIK271□BJ□□□KR
330		11.5 x 8.0			5.4		HIK331□BJ□□□KR
390		13.0 x 8.4					HIK391□BJ□□□KR
470		15.0 x 8.4					HIK471□BJ□□□KR
560		15.0 x 8.4			5.6		HIK561□BJ□□□KR
680		16.0 x 8.4					HIK681□BJ□□□KR
820		18.5 x 8.4					HIK821□BJ□□□KR
1000		20.0 x 8.4			5.8		HIK102□BJ□□□KR
1200		24.0 x 9.0					HIK122□BJ□□□KR
1500		24.0 x 9.0					HIK152□BJ□□□KR

Notes

- ⁽¹⁾ Standard lead configuration, other lead spacing and diameter available on request.
- ⁽²⁾ ± 10 % available on request.

ORDERING CODE			
□	7th digit	Capacitance tolerance	± 10 % = K ± 20 % = M
□□□	10th to 12th digit	Lead configuration (see General Information)	
R	14th digit	RoHS compliant component	



Disclaimer

ALL PRODUCT, PRODUCT SPECIFICATIONS AND DATA ARE SUBJECT TO CHANGE WITHOUT NOTICE TO IMPROVE RELIABILITY, FUNCTION OR DESIGN OR OTHERWISE.

Vishay Intertechnology, Inc., its affiliates, agents, and employees, and all persons acting on its or their behalf (collectively, "Vishay"), disclaim any and all liability for any errors, inaccuracies or incompleteness contained in any datasheet or in any other disclosure relating to any product.

Vishay makes no warranty, representation or guarantee regarding the suitability of the products for any particular purpose or the continuing production of any product. To the maximum extent permitted by applicable law, Vishay disclaims (i) any and all liability arising out of the application or use of any product, (ii) any and all liability, including without limitation special, consequential or incidental damages, and (iii) any and all implied warranties, including warranties of fitness for particular purpose, non-infringement and merchantability.

Statements regarding the suitability of products for certain types of applications are based on Vishay's knowledge of typical requirements that are often placed on Vishay products in generic applications. Such statements are not binding statements about the suitability of products for a particular application. It is the customer's responsibility to validate that a particular product with the properties described in the product specification is suitable for use in a particular application. Parameters provided in datasheets and/or specifications may vary in different applications and performance may vary over time. All operating parameters, including typical parameters, must be validated for each customer application by the customer's technical experts. Product specifications do not expand or otherwise modify Vishay's terms and conditions of purchase, including but not limited to the warranty expressed therein.

Except as expressly indicated in writing, Vishay products are not designed for use in medical, life-saving, or life-sustaining applications or for any other application in which the failure of the Vishay product could result in personal injury or death. Customers using or selling Vishay products not expressly indicated for use in such applications do so at their own risk and agree to fully indemnify and hold Vishay and its distributors harmless from and against any and all claims, liabilities, expenses and damages arising or resulting in connection with such use or sale, including attorneys fees, even if such claim alleges that Vishay or its distributor was negligent regarding the design or manufacture of the part. Please contact authorized Vishay personnel to obtain written terms and conditions regarding products designed for such applications.

No license, express or implied, by estoppel or otherwise, to any intellectual property rights is granted by this document or by any conduct of Vishay. Product names and markings noted herein may be trademarks of their respective owners.