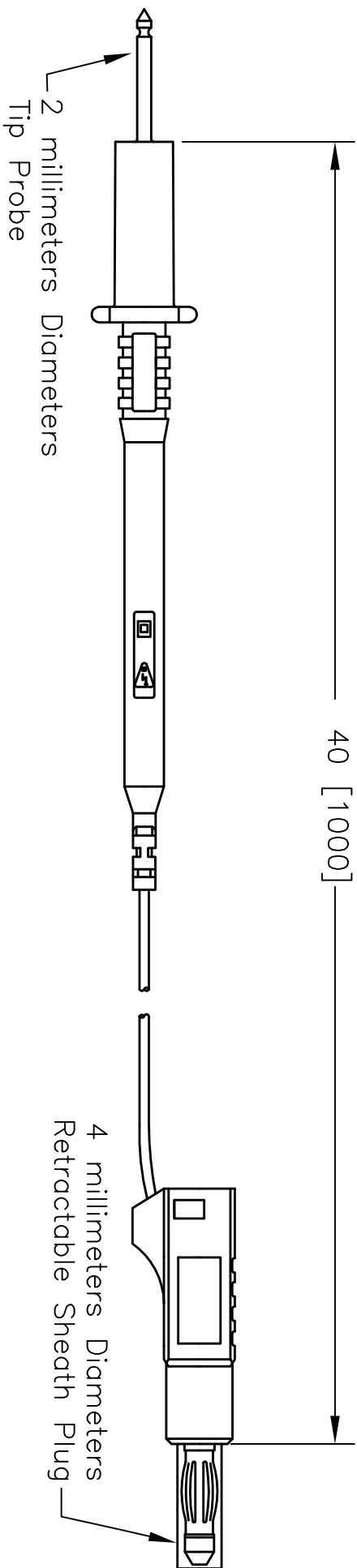


ALL RIGHTS RESERVED. NO PORTION OF THIS PUBLICATION, WHETHER IN WHOLE OR IN PART CAN BE REPRODUCED WITHOUT THE EXPRESS WRITTEN CONSENT OF SPC TECHNOLOGY.

REVISIONS		DOC. NO.	SPC-F005	* Effective:	12/21/98	* DCP No:	680	
DCP #	REV	DESCRIPTION	DRAWN	DATE	CHECKD	DATE	APPRVD	DATE
615	A	RELEASED	HYO	11/24/99	JC	8/1/00	DJC	8/7/00



Specifications:

1. Ratings: 1,200V AC/DC, 12A
 2. Internal Resistance: 20 milliohms
- Materials:
1. Body: Polyamide (Nylon)
 2. Plug: Bronze and brass nickel-plated
 3. Lead Wire: Extra flexible silicone.
 4. Temperature: -20° C to + 80° C.

DISCLAIMER:
ALL STATEMENTS AND TECHNICAL INFORMATION CONTAINED HEREIN ARE BASED UPON INFORMATION AND/OR TESTS WE BELIEVE TO BE ACCURATE AND RELIABLE SINCE CONDITIONS OF USE ARE BEYOND OUR CONTROL. THE USER SHALL DETERMINE THE SUITABILITY OF THE PRODUCT FOR THE INTENDED USE AND ASSUME ALL RISK AND LIABILITY WHATSOEVER IN CONNECTION THEREWITH.

UNLESS OTHERWISE SPECIFIED, DIMENSIONS ARE FOR REFERENCE PURPOSES ONLY.

DRAWN BY:	HISHAM ODISH	DATE:	11/24/99
CHECKED BY:	JOHN COLE	DATE:	8/1/00
APPROVED BY:	DANIEL CAREY	DATE:	8/7/00

DRAWING TITLE:

PROBE LEAD, RED



SIZE	DWG. NO.	ELECTRONIC FILE	REV
A	76-040	16F7711.DWG	A
SCALE:	NTS	U.O.M.: INCHES [mm]	SHEET: 1 OF 1