



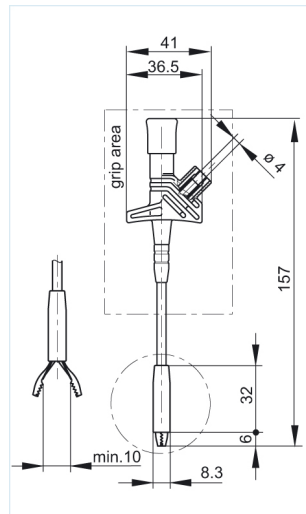
## KLEPS 2800 schwarz/black

Measuring and Testing Equipment: Clamp-type test probes: 4 mm safety system

### Product description

Description	Safety clamp-type test probe with wide opening grip claws for contacting large measuring areas and leads with large cross-sections. 4 mm brass socket connection. Connects with safety measuring leads.
Type	KLEPS 2800 schwarz/black
Order No.	972 308-100
System	4 mm safety system
Clamping range	10 mm
Clamp type	grip claws
Housing Color	black
Other standard types	red color, Order-No. 972 308-101

### Drawing



### Technical data

Type of contact	socket
Type of termination	4 mm socket
Standard	IEC 61010
Rated voltage	AC/DC 1000 V
Measurement Category	CAT III
Rated current	20 A
Contact resistance	100 mOhm

### Material

Contact material	stainless steel
Contact surface material	nickel-plated
Housing material	PBT

### Environmental conditions

Temperature range -25 °C to +80 °C

**Inflammability class**

Housing 94 HB