



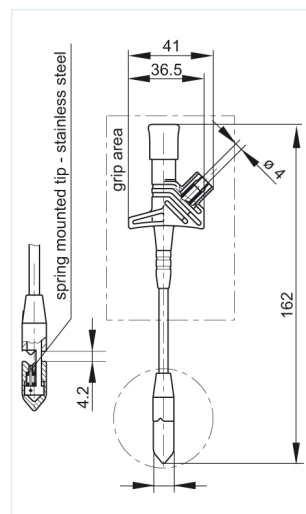
KLEPS 2700 rot/red

Industrial Connectors:Measuring and Testing Equipment:Clamp-type test probes:4 mm safety system

Product description

Description	Safety clamp-type test probe with split test clamp. The sprung stainless steel tip can contact insulated leads with cross-sections between 0.25 mm ² and 1.5 mm ² (3.5 mm diameter) without the need to strip them. 4 mm diameter brass socket connection.
Type	KLEPS 2700 rot/red
Order No.	972 307-101
System	4 mm safety system
Clamping range	1.5 mm ²
Clamp type	stainless steel tip
Housing Color	red
Other standard types	black color, order no. 972 307-100

Drawing



Technical data

Type of contact	socket
Type of termination	4 mm socket
Standard	IEC 61010
Rated voltage	AC/DC 1000 V
Measurement Category	CAT III
Rated current	10 A
Contact resistance	100 mOhm
Certificates	CE

Material

Contact material	needle (stainless steel)
Contact surface material	nickel-plated
Housing material	PBT

Environmental conditions

Temperature range -25 °C to +80 °C

Inflammability class

Housing 94 HB