



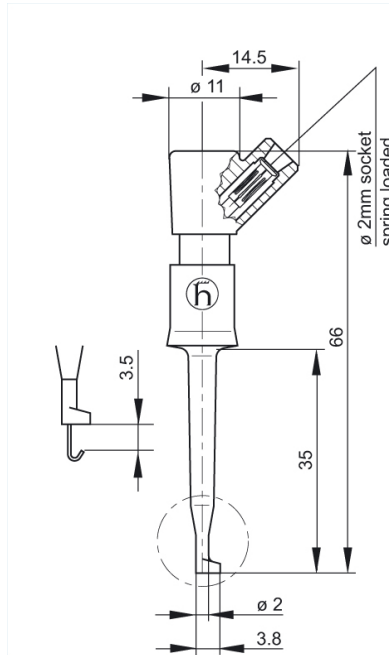
## KLEPS 2 BU rot/red

Industrial Connectors:Measuring and Testing Equipment:Clamp-type test probes:2 mm system

### Product description

Description	Miniature clamp-type test probe with 2 mm diameter socket connection. Gold-plated copper beryllium contact spring. Gold-plated sprung bronze contact hook for wires up to a maximum diameter of 2 mm. Suitable for connection to wrap posts up to a maximum of 1x1 mm.
Type	KLEPS 2 BU rot/red
Order No.	973 501-101
System	2 mm system
Clamping range	2 mm
Clamp type	contact hook
Housing Color	red
Color types	● ●
Other standard types	black color, order no. 973 501-100

### Drawing



### Technical data

Type of contact	socket (spring-loaded)
Type of termination	plug
Rated voltage	DC 60 V
Rated current	6 A

Contact resistance 15 mOhm

**Material**

Contact material contact hook: bronze,  
contact spring: copper beryllium

Contact surface material gold-plated

Housing material PBT

**Environmental conditions**

Temperature range -25 °C to +100 °C

**Inflammability class**

Housing 94 HB