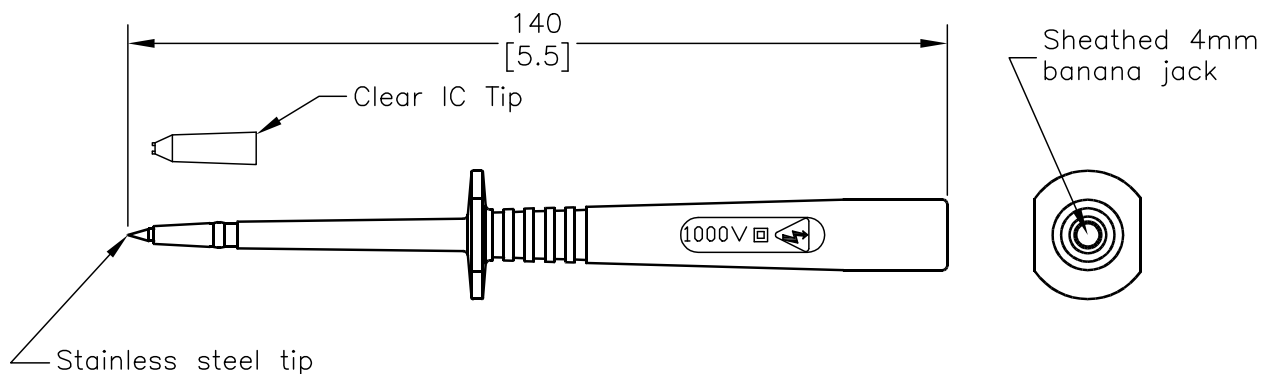


ALL RIGHTS RESERVED. NO PORTION OF THIS PUBLICATION, WHETHER IN WHOLE OR IN PART CAN BE REPRODUCED WITHOUT THE EXPRESS WRITTEN CONSENT OF SPC TECHNOLOGY.

REVISIONS			DOC. NO. SPC-F005 * Effective: 12/21/98 * DCP No: 680					
DCP #	REV	DESCRIPTION	DRAWN	DATE	CHECKD	DATE	APPRVD	DATE
615	A	Released	JWM	3/22/99	JC	9/6/00	DJC	9/7/00



**Notes**

1. Rated: 1000V CAT III P2; 20A, 50 milliohms complies with IEC61010
2. Materials: Body - Polyimide (Nylon)  
Tip - Stainless Steel  
Jack - Brass
3. Internal Resistance: <5 milliohms
4. Operating Temperature: -20°C ~ +80°C
5. Reinforced or double insulation



<small>DISCLAIMER: ALL STATEMENTS AND TECHNICAL INFORMATION CONTAINED HEREIN ARE BASED UPON INFORMATION AND/OR TESTS WE BELIEVE TO BE ACCURATE AND RELIABLE. SINCE CONDITIONS OF USE ARE BEYOND OUR CONTROL, THE USER SHALL DETERMINE THE SUITABILITY OF THE PRODUCT FOR THE INTENDED USE AND ASSUME ALL RISK AND LIABILITY WHATSOEVER IN CONNECTION THEREWITH.</small>			
<small>UNLESS OTHERWISE SPECIFIED, DIMENSIONS ARE FOR REFERENCE PURPOSES ONLY.</small>	<small>DRAWN BY:</small> Jeff McVicker	<small>DATE:</small> 3/22/99	<small>DRAWING TITLE:</small> Sharp Tip Test Probe Body – Black
	<small>CHECKED BY:</small> John Cole	<small>DATE:</small> 9/6/00	<small>SIZE</small> <small>DWG. NO.</small> <small>ELECTRONIC FILE</small> <small>REV</small> A                      76-031                      16F7702.dwg                      A
	<small>APPROVED BY:</small> Daniel Carey	<small>DATE:</small> 9/7/00	<small>SCALE:</small> NTS <small>U.O.M.:</small> Millimeters [Inches] <small>SHEET:</small> 1    OF    1

SPC-F005.DWG