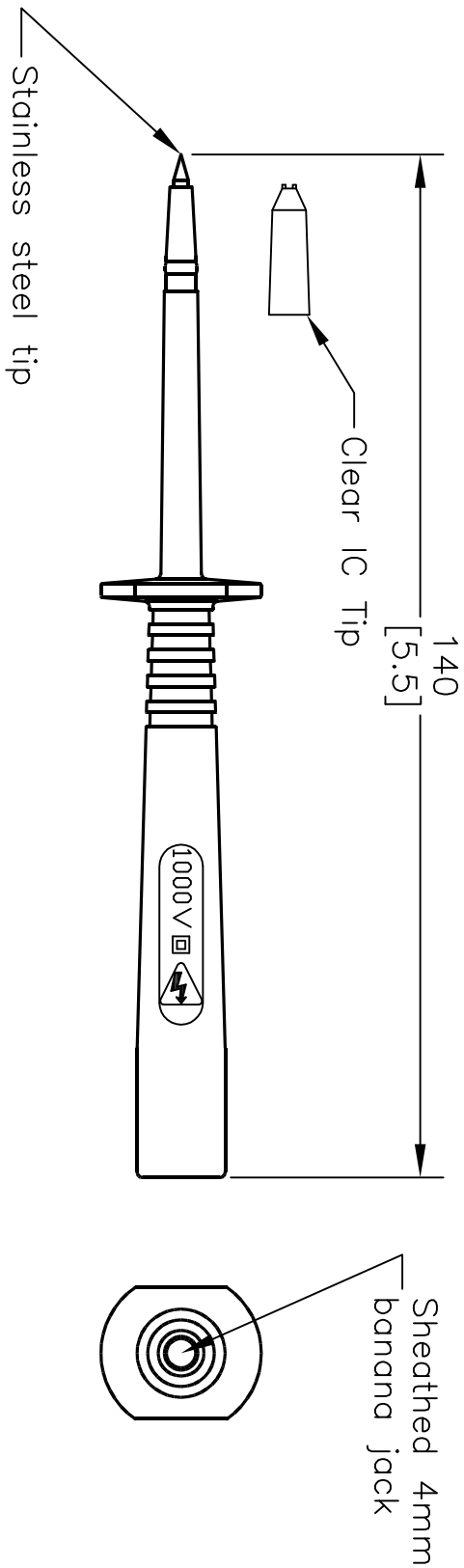


ALL RIGHTS RESERVED. NO PORTION OF THIS PUBLICATION, WHETHER IN WHOLE OR IN PART CAN BE REPRODUCED WITHOUT THE EXPRESS WRITTEN CONSENT OF SPC TECHNOLOGY.

REVISIONS		DOC. NO.	SPC-F005	* Effective:	12/21/98	* DCP No:	680	
DCP #	REV	DESCRIPTION	DRAWN	DATE	CHECKD	DATE	APPR/D	DATE
615	A	Released	JMM	3/22/99	JC	8/11/00	DJC	9/7/00



Notes

1. Rated: 1000V CAT III P2; 20A, 50 milliohms complies with IEC61010
2. Materials: Body - Polyimide (Nylon)
Tip - Stainless Steel
Jack - Brass
3. Internal Resistance: <5 milliohms
4. Operating Temperature: -20 °C ~ +80 °C
5. Reinforced or double insulation



DISCLAIMER:
ALL STATEMENTS AND TECHNICAL INFORMATION CONTAINED HEREIN ARE BASED UPON INFORMATION AND/OR TESTS WE BELIEVE TO BE ACCURATE AND RELIABLE SINCE CONDITIONS OF USE ARE BEYOND OUR CONTROL. THE USER ASSUMES ALL RISK AND LIABILITY WHATSOEVER IN CONNECTION THEREWITH.

UNLESS OTHERWISE SPECIFIED, DIMENSIONS ARE FOR REFERENCE PURPOSES ONLY.

DRAWN BY:	DATE:
Jeff McVicker	3/22/99
CHECKED BY:	DATE:
John Cole	8/11/00
APPROVED BY:	DATE:
Daniel Carey	9/7/00



DRAWING TITLE: Sharp Tip Test Probe Body - Red

SIZE	DWG. NO.	ELECTRONIC FILE	REV
A	76-030	16F7701.dwg	A
SCALE:	NTS	U.O.M.: Millimeters [Inches]	SHEET: 1 OF 1