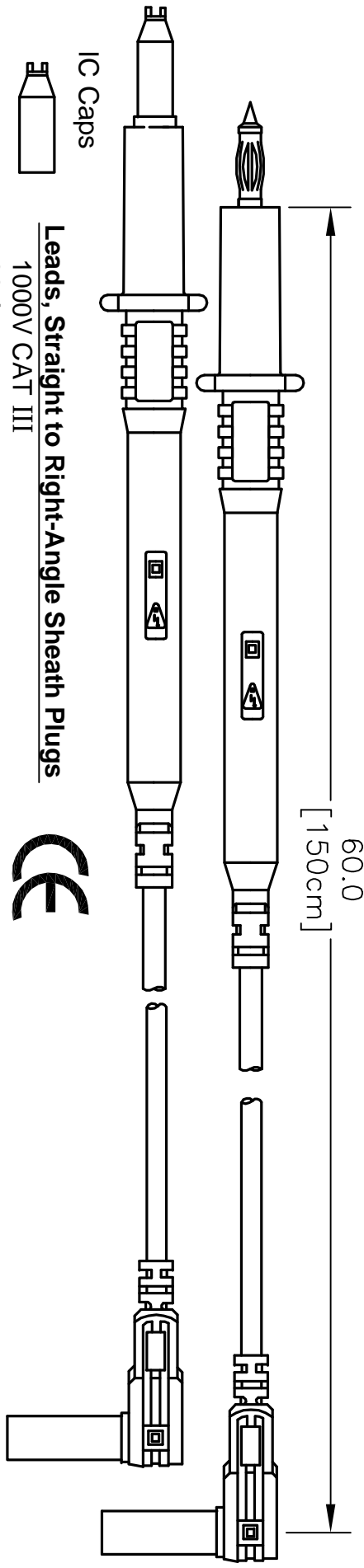
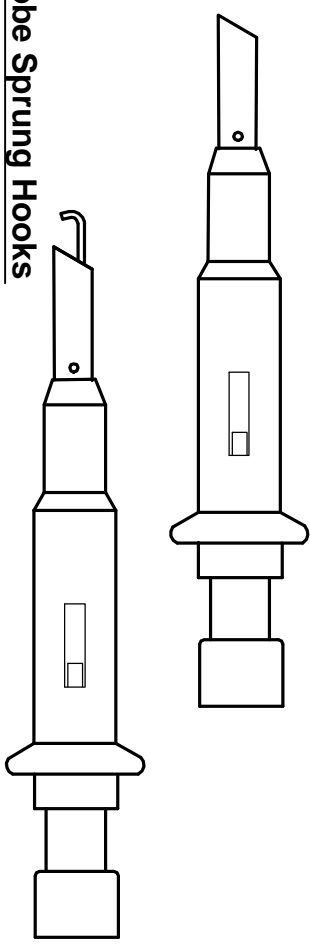


ALL RIGHTS RESERVED. NO PORTION OF THIS PUBLICATION, WHETHER IN WHOLE OR IN PART CAN BE REPRODUCED WITHOUT THE EXPRESS WRITTEN CONSENT OF SPC TECHNOLOGY.

REVISIONS		DOC. NO.	SPC-F005		Effective: 12/21/98		DOP No: 680	
DCP #	REV	DESCRIPTION	DRAWN	DATE	CHECKD	DATE	APPRVD	DATE
430	A	RELEASED	JWM	12/12/00	JC	1/8/01	DJC	1/11/01



Leads, Straight to Right-Angle Sheath Plugs
 1000V CAT III
 36 Amps
 Reinforced or Double Insulation
 1 Red, 1 Black
 Leads: Silicone Lead Wire



Packaged in clear PVC pouch

DISCLAIMER
 ALL STATEMENTS AND TECHNICAL INFORMATION CONTAINED HEREIN ARE BASED UPON INFORMATION AND/OR TESTS WE BELIEVE TO BE ACCURATE AND RELIABLE SINCE CONDITIONS OF USE ARE BEYOND OUR CONTROL. WE SHALL NOT BE RESPONSIBLE FOR DAMAGES OR INJURIES FROM THE UNREASONED USE AND ASSUME ALL RISK AND LIABILITY WHATSOEVER IN CONNECTION THEREWITH.

TENMA
 ELECTRONIC FILE

UNLESS OTHERWISE SPECIFIED, DIMENSIONS ARE FOR REFERENCE PURPOSES ONLY.		DRAWING TITLE: Deluxe Right Angle Test Lead Kit	
DRAWN BY: Jeff McVicker	DATE: 12/12/00	SIZE: A	DWG. NO.: 76-091
CHECKED BY: JOHN COLE	DATE: 1/8/01	SCALE: NTS	U.O.M.: INCHES [mm]
APPROVED BY: Daniel Carey	DATE: 1/11/01		
		ELECTRONIC FILE: 84N2133.dwg	REV: A
		SHEET: 1	OF 1