



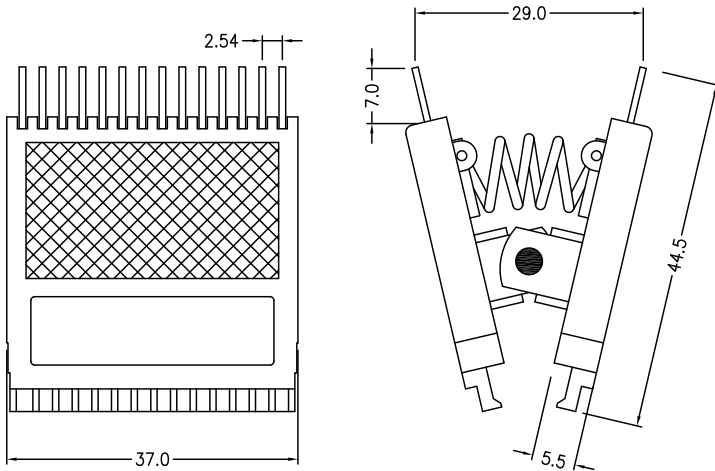
ALL RIGHTS RESERVED. NO PORTION OF THIS PUBLICATION, WHETHER IN WHOLE OR IN PART CAN BE REPRODUCED WITHOUT THE EXPRESS WRITTEN CONSENT OF SPC TECHNOLOGY.

SPC-F005.DWG

REVISIONS

DOC. NO. SPC-F005 \* Effective: 7/8/02 \* DCP No: 1398

DCP #	REV	DESCRIPTION	DRAWN	DATE	CHECKD	DATE	APPRVD	DATE
2090	A	RELEASED	JYC	7/19/10	JYC	7/19/10	JYC	7/19/10



Specification:

1. Body: ABS, White Color
2. Contact Terminal: Brass, Gold-Plated
3. Extend Terminal: Brass, Gold-Plated
4. Spring: Steel, Nickel-Plated

DISCLAIMER:  
ALL STATEMENTS AND TECHNICAL INFORMATION CONTAINED HEREIN ARE BASED UPON INFORMATION AND/OR TESTS WE BELIEVE TO BE ACCURATE AND RELIABLE. SINCE CONDITIONS OF USE ARE BEYOND OUR CONTROL, THE USER SHALL DETERMINE THE SUITABILITY OF THE PRODUCT FOR THE INTENDED USE AND ASSUME ALL RISK AND LIABILITY WHATSOEVER IN CONNECTION THEREWITH.

TOLERANCES:  
Unless Otherwise Specified  
.X ±0.35 [0.014]  
.XX ±0.15 [0.006]

DRAWN BY:	DATE:
Jerrold Chen	7/19/10
CHECKED BY:	DATE:
Jerrold Chen	7/19/10
APPROVED BY:	DATE:
Jerrold Chen	7/19/10

DRAWING TITLE: <b>28 Pin Intergrated Test Clip</b>			
SIZE	DWG. NO.	ELECTRONIC FILE	REV
A	SPC21094	10M8345.DWG	A
SCALE: NTS	U.O.M.: mm [INCHES]	SHEET: 1 OF 1	