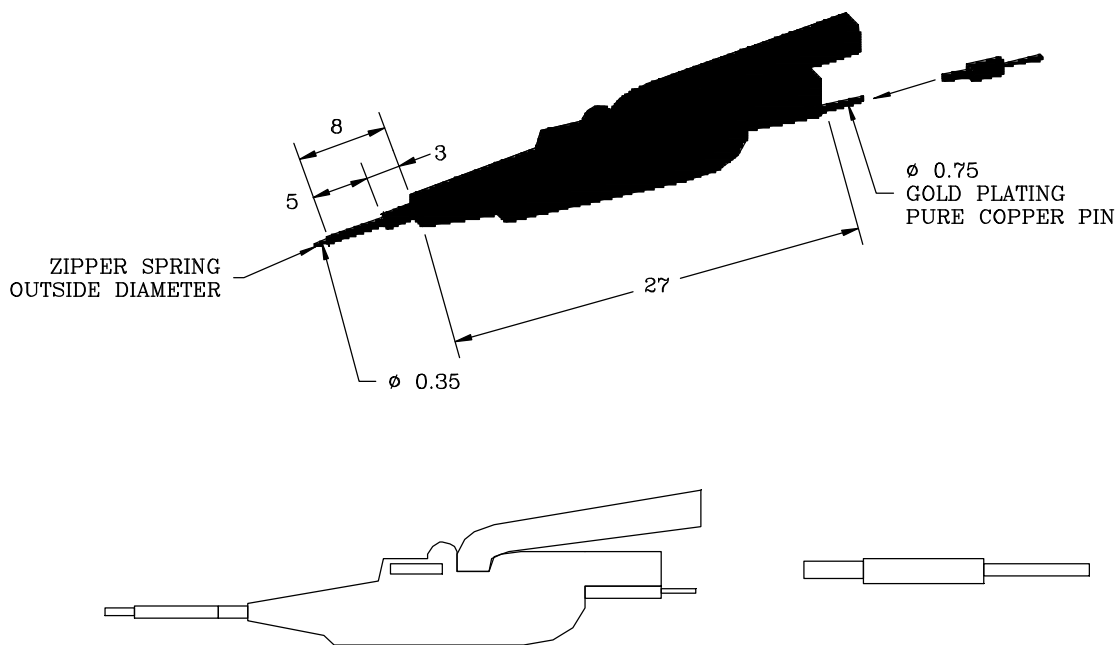



F5732
DOD 35732



ET PART #		DESCRIPTION	
FP-2S-2	GRIPPER LONG/ 10 COLOR CORDS		
FP-2S-10	GRIPPER LONG/ 10 COLOR CORDS		
FP-2S90-10	GRIPPER LONG/ 10 COLOR CORDS - 90° TINES		

ALL DIMENSIONS ARE IN MILLIMETERS UNLESS OTHERWISE SPECIFIED			
	Emulation Technology, Inc — VLSI and SMT ADAPTERS and ACCESSORIES —		
	2344 Walsh Avenue, Bldg. F Santa Clara, Ca 95051	TEL:(408)982-0660 FAX:(408)982-0664	
SHEET: 1 OF 1	DATE: 11-5-99	REVISION:	ASSEMBLY DRAWING
CHECKED: STEPHAN V.	DRAWN: Paula McKenna-Olson	ITEM:	FP-2SXX-XX
DO NOT SCALE DRAWING		DESCRIPTION:	FP-2SXX-XX