

Agilent

Agilent 34405A Multimeter
5.5 Digit Dual Display, Benchtop DMM
More Capabilities at a Value Price

Data Sheet



Agilent Technologies

Features

120000 counts resolution

16 built-in measurement functions including temperature and capacitance

0.025% 1-year DC voltage accuracy

USB 2.0

SCPI compatible

Agilent IO Library Suite and DMM Intuilink connectivity software included

Affordable and Feature Rich Measurement Tool

With the 34405A digital multimeter, you get all the tools you need at an affordable price without compromising the quality Agilent products are known for. It provides a broad range of features and measurement functions such as DC voltage, DC current, true-RMS AC voltage and AC current, 2-wire resistance, frequency, diode test and continuity which are designed to meet general industrial needs. Furthermore, it can measure temperature ranging from -80 °C to 150 °C. The true value is more evident with its capability to measure capacitance ranging from 1000 pF to 10000 mF. Agilent 34405A also improves efficiency and accuracy with its six built-in math operations: Null, dBm, dB, MinMax, Limit and Hold.

Quick Connection to the PC with USB 2.0 Interface

For those with a need to control and take preset measurements with a PC, the built-in USB 2.0 interface provides an easy and robust connection between the PC and DMM. The USB interface connects directly to the PC host and works seamlessly with Agilent Connectivity software and can be controlled remotely via industry standard SCPI commands or through DMM Intuilink Connectivity software. IVI-COM and LabVIEW drivers are included to ensure an easy integration with different programming environments.

Bright Display, Fast Reading Speed and Configuration Storage

When high throughput and productivity are the priority, Agilent 34405A VFD dual display feature allows users to take more than one measurement and display them simultaneously on the front panel. For speed critical applications, Agilent 34405A can take up to 19 readings/sec at 4.5 digits resolution directly to the PC. In addition, the user can configure and store complete instrument setups and recall them at anytime from any of the four built-in storing states.

Rugged and Reliable

The 34405A is designed and tested according to major Safety and Regulatory Standards. In addition, the shock absorbing bumpers is designed to prevent physical damage from your day-to-day use.

You can watch 34405A in action on your PC by downloading the interactive demo from the 34405A homepage at www.agilent.com/find/34405a

Go to the WEB for more information on Agilent's DMM. Visit www.agilent.com

DC CHARACTERISTICS^[1]

FUNCTION	RANGE ^[2]	TEST CURRENT OR BURDEN VOLTAGE	INPUT IMPEDANCE ^[3]	ACCURACY ± (% of reading + % of range)	
				1 Year 23 °C ± 5 °C	Temperature Coefficient 0 °C - 18 °C 28 °C - 55 °C
VOLTAGE	100.000 mV	-	10.0 MΩ ±2%	0.025+0.008	0.0015+0.0005
	1.00000 V	-	10.0 MΩ ±2%	0.025+0.006	0.0010+0.0005
	10.0000 V	-	10.1 MΩ ±2%	0.025+0.005	0.0020+0.0005
	100.000 V	-	10.1 MΩ ±2%	0.025+0.005	0.0020+0.0005
	1000.00 V	-	10.0 MΩ ±2%	0.025+0.005	0.0015+0.0005
RESISTANCE	100.000 Ω	1.0 mA	-	0.05+0.008 ^[3]	0.0060+0.0008
	1.00000 kΩ	0.83 mA	-	0.05+0.005 ^[3]	0.0060+0.0005
	10.0000 kΩ	100 μA	-	0.05+0.006 ^[3]	0.0060+0.0005
	100.000 kΩ	10.0 μA	-	0.05+0.007	0.0060+0.0005
	1.00000 MΩ	900 nA	-	0.06+0.007	0.0060+0.0005
	10.0000 MΩ	205 nA	-	0.25+0.005	0.0250+0.0005
	100.000 MΩ	205 nA 10 MΩ	-	2.00+0.005	0.3000+0.0005
CURRENT	10.0000 mA	< 0.2 V	-	0.05+0.015	0.0055+0.0005
	100.000 mA	< 0.2 V	-	0.05+0.005	0.0055+0.0005
	1.00000 A	< 0.5 V	-	0.20+0.007	0.0100+0.0005
	10.0000 A	< 0.6 V	-	0.25+0.007	0.0150+0.0005
CONTINUITY	1000 Ω	0.83 mA	-	0.05+0.005	0.0050+0.0005
DIODE TEST ^[4]	1.0000 V	0.83 mA	-	0.05+0.005	0.0050+0.0005

AC CHARACTERISTICS^[1]

FUNCTION	RANGE ^[5]	FREQUENCY	ACCURACY ± (% of reading + % of range)	
			1 Year 23 °C ± 5 °C	Temperature Coefficient 0 °C - 18 °C 28 °C - 55 °C
TRUE-RMS AC VOLTAGE ^[6]	100.000 mV	20 Hz - 45 Hz	1.0+0.1	0.02+0.02
		45 Hz - 10 kHz	0.2+0.1	0.02+0.02
		10 kHz - 30 kHz	1.5+0.3	0.05+0.02
		30 kHz - 100 kHz ^[7]	5.0+0.3	0.10+0.02
	1.00000 V to 750.00 V	20 Hz - 45 Hz	1.0+0.1 ^[14]	0.02+0.02
		45 Hz - 10 kHz	0.2+0.1	0.02+0.02
		10 kHz - 30 kHz	1.0+0.1	0.05+0.02
		30 kHz - 100 kHz ^[7]	3.0+0.2 ^[15]	0.10+0.02
TRUE-RMS AC CURRENT ^[8]	10.0000 mA to 10.0000 A	20 Hz - 45 Hz	1.5+0.1	0.02+0.02
		45 Hz - 1 kHz	0.5+0.1	0.02+0.02
		1 kHz - 10 kHz ^[9]	2.0+0.2	0.02+0.02

AC CHARACTERISTICS^[1]

FUNCTION	RANGE ^[5]	FREQUENCY	ACCURACY ± (% of reading + % of range)	
			1 Year 23 °C ± 5 °C	Temperature Coefficient 0 °C - 18 °C 28 °C - 55 °C
FREQUENCY ^{[10],[16]}	100.000 mV to 750.00 V	< 2 Hz ^[17]	0.18+0.003	0.005
		< 20 Hz	0.04+0.003	0.005
		20 Hz - 100 kHz ^[11]	0.02+0.003	0.005
		100 kHz ~ 300 kHz ^[12]	0.02+0.003	0.005
	10.0000 mA to 10.0000 A	< 2 Hz ^[17]	0.18+0.003	0.005
		< 20 Hz	0.04+0.003	0.005
		20 Hz ~ 10 kHz ^[11]	0.02+0.003	0.005

TEMPERATURE and CAPACITANCE CHARACTERISTICS^[1]

FUNCTION	RANGE	TEST CURRENT, etc.	ACCURACY ± (% of reading + % of range)	
			1 Year 23 °C ± 5 °C	Temperature Coefficient 0 °C - 18 °C 28 °C - 55 °C
TEMPERATURE	-80 °C - 150 °C	5 kΩ thermistor probe	Probe accuracy + 0.2 °C	0.002 °C
	-110.0 °F - 300.0 °F	5 kΩ thermistor probe	Probe accuracy + 0.4 °F	0.0036 °F
CAPACITANCE	1.000 nF	0.75 μA	2.0+0.8	0.02+0.001
	10.00 nF	0.75 μA	1.0+0.5	0.02+0.001
	100.0 nF	8.3 μA	1.0+0.5	0.02+0.001
	1.000 μF - 100.0 μF	83 μA	1.0+0.5	0.02+0.001
	1000 μF	0.83 mA	1.0+0.5	0.02+0.001
	10 000 μF	0.83 mA	2.0+0.5	0.02+0.001

[1] Specifications are for 30 minutes warm-up, 5 1/2 digit resolution and calibration temperature 18 °C - 28 °C.

[2] 20% over range on all ranges except 1000 Vdc.

[3] Specifications are 2-wire ohms using Math Null. If without Math Null, add 0.2 Ω additional error.

[4] Specifications are for the voltage measured at the input terminals only.

[5] 20% over range on all range except 750 Vac

[6] Specifications are for sinewave inputs >5% of range. Maximum crest factor : 3 at full scale.

[7] Additional error to be added as frequency >30 kHz and signal input <10% of range. 30 kHz ~ 100 kHz: 0.003% of full scale per kHz.

[8] For 12 A terminal, 10 A dc or ac rms continuous, >10 A dc or ac rms for 30 seconds ON and 30 seconds OFF.

[9] For 1 A and 10 A ranges, the frequency is verified for less than 5 kHz.

[10] Specifications are for half-hour warm-up, using 0.1 second aperture. The frequency can be measured up 1 MHz as 0.5 V signal to 100 mV/1 V ranges.

[11] For 20 Hz ~ 10 kHz, the sensitivity is AC input current from 10% to 120% of range except where noted.

[12] For 100 kHz ~ 300 kHz, the sensitivity will be 12% ~ 120% of range except 750 V range.

[13] Input Impedance is in paralleled with capacitance <120 pF.

[14] For input <200 V rms

[15] For input <300 V rms

[16] For frequency, use AC Accuracy ± (% of reading + 3 counts)

[17] Minimum measured frequency is 1 Hz

OPERATING CHARACTERISTICS

Function	Digits	Reading Speed ^[1]	Function Change (sec) ^[2]	Range Change (sec) ^[3]	Auto Range (sec) ^[4]	Reading Speed Over USB/(sec) ^[5]
DCV	5.5	15 /s	0.3	0.3	< 1.2	8
	4.5	70 /s	0.2	0.2	< 1.1	19
DCI	5.5	15 /s	0.4	0.4	<1.0	8
	4.5	70 /s	0.3	0.3	< 0.5	19
ACV	5.5	2.5 /s	1.3	1.7	< 5.7	2
	4.5	2.5 /s	1.2	1.5	< 5.1	2
ACI	5.5	2.5 /s	1.8	2.2	< 4.7	2
	4.5	2.5 /s	1.5	1.9	< 4.0	2
FREQ^[6]	5.5	9 /s	2.8	2.8	< 5.8	1
	4.5	9 /s	2.5	2.5	< 5.0	1

[1] Reading rate of the A/D converter.

[2] Time to change from 2-wire resistance to this specified function and to take at least one reading using SCPI "FUNC" and "READ?" commands.

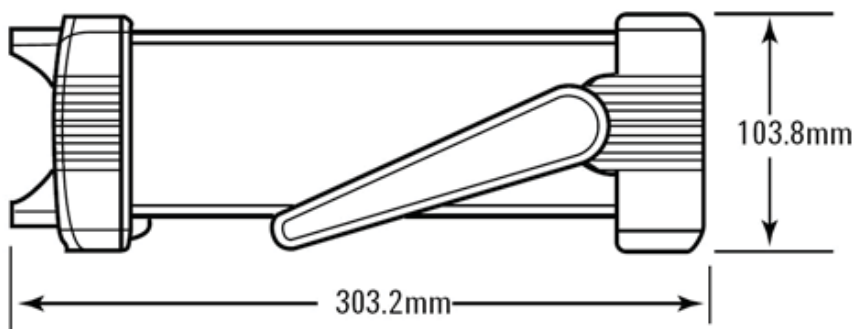
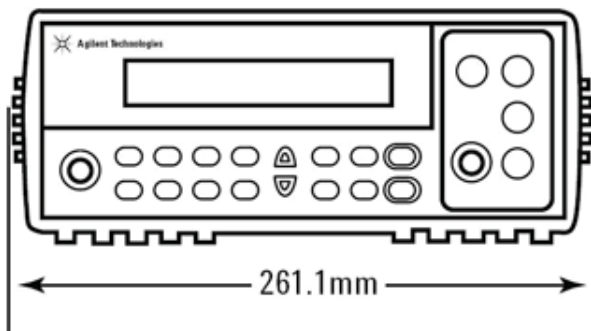
[3] Time to change from one range to the next higher range and to take at least one reading using SCPI "FUNC" and "READ?" commands.

[4] Time to automatically change one range and to take at least one reading using SCPI "CONF AUTO" and "READ?" commands.

[5] Number of measurements per second that can be read through USB using SCPI "READ?" command.

[6] Reading rate depends on signal frequency >10 Hz.

DIMENSIONS



SUPPLEMENTAL MEASUREMENT CHARACTERISTICS

DC VOLTAGE

Measuring Method:
Sigma Delta A-to-D converter
Input Resistance:
10 M Ω \pm 2% range (typical)
Input Protection:
1000 V on all ranges

RESISTANCE

Measuring Method:
2-wire Ohms
Open-circuit voltage:
Limited to < 5V
Input Protection:
1000 V on all ranges

DC CURRENT

Shunt Resistance:
0.1 Ω to 10 Ω for 10 mA to 1.2 A ranges
0.01 Ω for 12 A range
Input Protection:
Front Panel 1.25 A, 500 V fuse for I terminal
Internal 15 A, 600 V fuse for 12 A terminal

CONTINUITY/DIODE TEST

Measuring Method:
Uses 0.83 mA \pm 0.2% constant current source, < 5 V open circuit voltage
Response Time:
70 samples/second with audible tone
Continuity Threshold:
10 Ω fixed
Input Protection:
1000 V

TEMPERATURE

Measurement Method:
2-wire Ohms measurement of 5 k Ω thermistor sensor (E2308A) with computer conversion
Auto-ranging measurement, no manual range selection
Input Protection:
1000 V

MEASUREMENT NOISE REJECTION

CMRR (Common Mode Rejection) for 1 k Ω unbalance LO lead

DC	120 dB
AC	70 dB

NMR (Normal Mode Rejection) For 60 Hz (50 Hz) \pm 0.1%

5 1/2 digit	65 dB (55 dB)
4 1/2 digit	0 dB

AC VOLTAGE

Measurement Method:
AC coupled true-RMS - measure the ac component with up to 400 Vdc bias any range
Crest Factor:
Maximum 5:1 at full scale
Input Impedance:
1 M Ω \pm 2% in parallel with < 100 pF of all ranges
Input Protection:
750 Vrms on all ranges

AC CURRENT

Measuring Method:
DC coupled to the fuse and current shunt, AC coupled true-RMS measurement (measure the AC component only)
Shunt Resistance:
0.1 Ω to 10 Ω for 10 mA to 1.2 A range
0.1 Ω for 12 A range
Input Protection:
Externally accessible 1.25 A, 500 V fuse for I terminal
Internally replaceable 15 A, 600 V fuse for 12 A terminal

FREQUENCY

Measurement Method:
Reciprocal counting technique. AC coupled input using AC voltage function.
Signal Level:
10% of range to full scale input on all ranges
Auto or manual range selection
Gate Time:
0.1 second or 1 period of the input signal, whichever is longer.
Input Protection:
750 Vrms on all ranges

MATH FUNCTIONS

Null, dBm, dB, Min/Max/Avg, Hold, Limit Test

TRIGGER and MEMORY

Single trigger, 1 reading memory

REMOTE INTERFACE

USB 2.0 full speed, USBTMC-USB488 device class

PROGRAMMING LANGUAGE

SCPI, IEEE-488.1, IEEE-488.2

GENERAL CHARACTERISTICS

POWER SUPPLY

100V/120V(127V)/220V(230V)/240V \pm 10%
AC line frequency 45Hz - 66Hz and (360Hz - 440Hz,
100/120V operation)

POWER CONSUMPTION

16VA maximum, <11W average

OPERATING ENVIRONMENT

Full accuracy at 0 °C to 55 °C
Full accuracy to 80% RH at 30 °C (non-condensing)
Altitude up to 3000 meters

STORAGE COMPLIANCE

- 40 °C to 70 °C

SAFETY COMPLIANCE

Certified to CSA for IEC/EN/CSA/UL 61010-1 2nd Edition

MEASUREMENT CATEGORY

CAT II, 300V: CAT I 1000Vdc, 750Vac rms, 2500Vpk
transient over voltage
Pollution degree 2

EMC COMPLIANCE

Certified to IEC/EN 61326:2002, CISPR 11, and
equivalents for Group 1, Class A

SHOCK and VIBRATION

Tested to IEC/EN 60086-2

SHOCK and VIBRATION

Tested to IEC/EN 60086-2

DIMENSION (HxWxD)

Rack: 88.5mm x 212.6mm x 272.3mm
Bench: 103.8mm x 261.2mm x 303.2mm

WEIGHT

3.75 kg, 8.27 lb

WARM UP TIME

30 minutes

WARRANTY

One year for 34405A
Three months for standard shipped accessories

Standard shipped accessories:

Test lead kit
Test report
Power cord
USB interface cable
Quick Start Guide
User's and Service Guide
Product Reference CD-ROM
Agilent IO Library Suite CD-ROM

Options:

Opt. 1CM - Rack mount adapter kit

Agilent Optional Accessories



34133A Precision Electronics Test Leads



34330A 30A Current Shunt



E2308A Thermistor Probe

Agilent 34405A Multimeter: Versatile and low cost solution for benchtop testing.

5.5 digit dual display increases productivity and throughput in troubleshooting.

Use the Up-Down keys to select the desired measurement range. Just press Shift -> Auto key to switch measurement range automatically.

Superior value with a broad range of functions, which includes the temperature and capacitance measurements.



Connect the supplied test leads to the Input Terminals to start your measurements.

Selecting the secondary display measurements.

Math functions and utility menu that allow users to take reference measurements (ie. Min/Max value and etc.) and store the measurement setups from the front panel.



Agilent Email Updates

www.agilent.com/find/emailupdates

Get the latest information on the products and applications you select.



www.axiestandard.org AdvancedT-

CA® Extensions for Instrumentation and Test (AXIe) is

an open standard that extends the AdvancedTCA® for general purpose and semiconductor test. Agilent is a founding member of the AXIe consortium.



www.lxistandard.org

LAN eXtensions for Instruments puts the power of Ethernet and the Web inside your test systems. Agilent is a founding member of the LXI consortium.



<http://www.pxisa.org>

PCI eXtensions for Instrumentation (PXI) modular instrumentation delivers a rugged, PC-based high-performance measurement and automation system.

Agilent Channel Partners

www.agilent.com/find/channelpartners

Get the best of both worlds: Agilent's measurement expertise and product breadth, combined with channel partner convenience.



Agilent Advantage Services is committed to your success throughout your equipment's lifetime. We share measurement and service expertise to help you create the products that change our world. To keep you competitive, we continually invest in tools and processes that speed up calibration and repair, reduce your cost of ownership, and move us ahead of your development curve.

www.agilent.com/find/advantageservices



www.agilent.com/quality

www.agilent.com

www.agilent.com/find/34405Afind/34405A

For more information on Agilent Technologies' products, applications or services, please contact your local Agilent office. The complete list is available at:

www.agilent.com/find/contactus

Americas

Canada	(877) 894 4414
Brazil	(11) 4197 3500
Mexico	01800 5064 800
United States	(800) 829 4444

Asia Pacific

Australia	1 800 629 485
China	800 810 0189
Hong Kong	800 938 693
India	1 800 112 929
Japan	0120 (421) 345
Korea	080 769 0800
Malaysia	1 800 888 848
Singapore	1 800 375 8100
Taiwan	0800 047 866
Other AP Countries	(65) 375 8100

Europe & Middle East

Belgium	32 (0) 2 404 93 40
Denmark	45 70 13 15 15
Finland	358 (0) 10 855 2100
France	0825 010 700*
	*0.125 €/minute
Germany	49 (0) 7031 464 6333
Ireland	1890 924 204
Israel	972-3-9288-504/544
Italy	39 02 92 60 8484
Netherlands	31 (0) 20 547 2111
Spain	34 (91) 631 3300
Sweden	0200-88 22 55
United Kingdom	44 (0) 118 9276201

For other unlisted Countries:

www.agilent.com/find/contactus

Revised: October 14, 2010

Product specifications and descriptions in this document subject to change without notice.

© Agilent Technologies, Inc. 2010, 2011
Printed in USA, February 14, 2011
5989-4906EN



Agilent Technologies