

CODELOCK 500 MECHANICAL



- Heavy duty Codelock
- PVD, weather resistant, low maintenance finish
- Full size lever handles
- Outside lever has a slipping clutch to avoid damage to the mechanism if forced
- Easy code change as often as required
- Code Free option available
- Mortice lock and mortice latch functions

Codelock CL500 Range

This is a heavy duty range with full size lever handles, allowing use as the primary lock on most doors, particularly in high traffic situations.

The functions available allow for various ways of managing entry by code, by key and by Code Free operation of the lever handle on the CL505, CL515 and CL525 models.

Throwing the deadbolt of the CL520/525 models will lock out the code users when appropriate. A safety feature ensures that the inside lever handle will retract the deadbolt so avoiding accidentally locking a person in the room.

The key can be used to retract the latchbolt and so may be issued for cleaning and security staff use.

- Ball shape knob available for all versions





CL500

The front plate is common to all functions



CL510 Mortice Latch

CL515 Mortice Latch
with Code Free entry option



CL510BB Mortice Latch
May be specified as Back to Back (BB) to provide coded access in both directions
Stainless Steel finish only



CL500 Panic Kit
Coded front plate only with extra long spindle to work with most single point panic pads or bars (not supplied)

CL520 Mortice Lock
With safety feature

CL525 Mortice Lock
With safety feature and Code Free entry option

CL500 Plates Only
Utilising existing door lock or latch

CL500BB CL500 Back to Back Plates
For use with existing door lock or latch
Stainless Steel finish only

CL505 Plates Only
As CL500 with Code Free entry option
NB: For CL500 & CL505 existing lock must have either a fixing hole (22mm 7/8") below follower (spindle) or two horizontal holes either side of the follower (38mm 1 1/2").

CODELOCK 500 MECHANICAL



- Door thickness** 35mm - 65mm (1³/₈"-2¹/₂"")
Spindle type 2 part 8mm (5/16") spring loaded spindle
Body material Zinc alloy
Non handed Lock will fit doors hung on the left or right

Mortice Latch (CL510 & CL515)

Medium duty, stainless steel latchbolt head with "anti" shim deadlocking plunger, 8mm (5/16") follower.

60mm (2³/₈"") backset, requires 25mm (1") hole, 82mm (3¹/₄"") deep.

70mm (2³/₄"") backset, requires 25mm (1") hole, 92mm (3⁵/₁₆"") deep.

Mortice Lock (CL520 & CL525)

Euro profile mortice sash lock with deadbolt and latchbolt. Complete with double cylinder to control deadbolt and to retract latchbolt. With the deadbolt locked it denies access to a code user. The key can be used to open doors for management functions such as security and cleaning. The split follower enables the inside lever to retract the deadbolt and latch to prevent accidental lock in when the deadbolt is thrown.

Cylinders

Double euro profile cylinders with 3 keys.
May be ordered keyed alike.

Finishes available

PVD (Physical Vapour Deposition) hardwearing low maintenance finishes SS (stainless steel) and PB (polished brass).

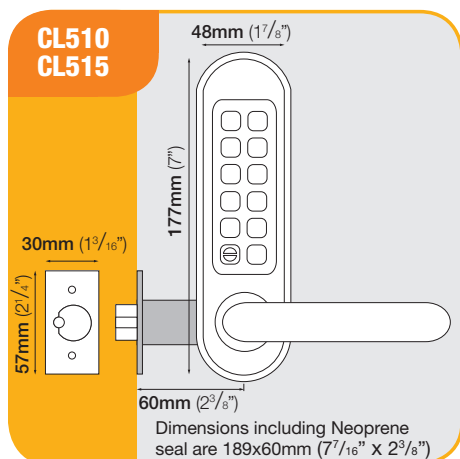
Code Free access option via keypad on models CL505, CL515 & CL525.

Neoprene seals are included on both sides to provide friction against the face of the door and to prevent damage from over tightening of the fixing bolts. The outside lever handle has a slipping clutch to prevent damage to the lock if the handle is forced.

Suitable for **internal and external use.**

CodeLock CL500 Range

TECHNICAL SPECIFICATIONS



CL510 Mortice Latch

Outside lever handle will retract the latch after a correct code is entered. The spring loaded latchbolt will lock automatically when the door is closed.

CL515 Mortice Latch

As CL510 with Code Free access option on keypad. In Code Free mode the outside lever will retract the latchbolt without using a code.

CL500 & CL505 Front & backplates only NOT ILLUSTRATED

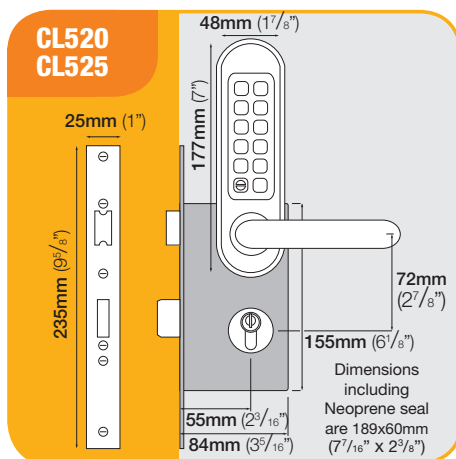
For use with an existing lock or latch.

NB: For CL500 & CL505 existing lock must have either a fixing hole (22mm 7/8") below follower (spindle) or two horizontal holes either side of the follower (38mm 1 1/2" centres)

CL500PK Panic Device Access Kit NOT ILLUSTRATED

Keypad plate only, supplied with an extra long spindle to work with most exit devices with 8mm (5/16") square followers.

Stainless Steel finish only.



CL520 Full Mortice Lock with Safety Feature

Outside lever handle will retract the latch after a correct code is entered. The spring loaded latchbolt will lock automatically when the door is closed. Key retracts latchbolt for entry without using a code. Key controls deadbolt position. When deadbolt is projected it denies access by code. When deadbolt is projected the safety feature allows the inside lever handle to retract the deadbolt and the latchbolt, preventing people being accidentally locked in.

CL525 Full Mortice Lock with Safety Feature

As CL520 with Code Free access function on the keypad. In Code Free mode the outside lever will retract the latchbolt without using a code.

Back to Back NOT ILLUSTRATED

The CL500 and the CL510/CL515 (Mortice Latch) may be ordered with two keypad plates for installation on both sides of the door to provide coded access in both directions. Stainless Steel finish only.

Codes: All our mechanical locks are supplied with a random code commencing with the 'C' clear button. To change the code after fitting, the lock must first be removed from the door.

The code is non sequential, that is the code can be entered in any order e.g. 1234 can be 4321 or 1342 or whatever is the most convenient sequence. With the 11 buttons a total of 2,047 different codes are available, any of which may be entered in any order.