

southco

PROPRIETARY ITEM - EXCEPT FOR USES EXPRESSLY GRANTED IN WRITING INFORMATION DISCLOSED HEREON IS CONFIDENTIAL AND ALL RIGHTS PATENT AND OTHERWISE ARE RESERVED BY SOUTHCO, INC.

EJECTOR
1mm FACEPLATE, PLUNGER MICROSWITCH

DATE: 02MAY2005
DRAWN: RES
CHKD: AJH
SCALE: 2:1

DRAWING NUMBER: **J-P7-A-533-11**

REV	DATE	DRAWN/CHKD	DESCRIPTION	PART NUMBER	MATERIAL AND FINISH	COLOR
A	27 JAN 2006	MDY/AJH	PRN: P2006-0182	P7-A-533-11	SEE NOTE A	SEE NOTE A
B	21 JUN 2006	AJH/MDY	PRN: P2006-0862	P7-A-533-11-XXX	SEE NOTE A	SEE J-47-0-3 FOR COLOR ONLY
C	15 JUN 2007	RES/AJH	PRN: P2007-0786			
D	11 JAN 2008	VSV/VGV	PRN: P2008-0032			

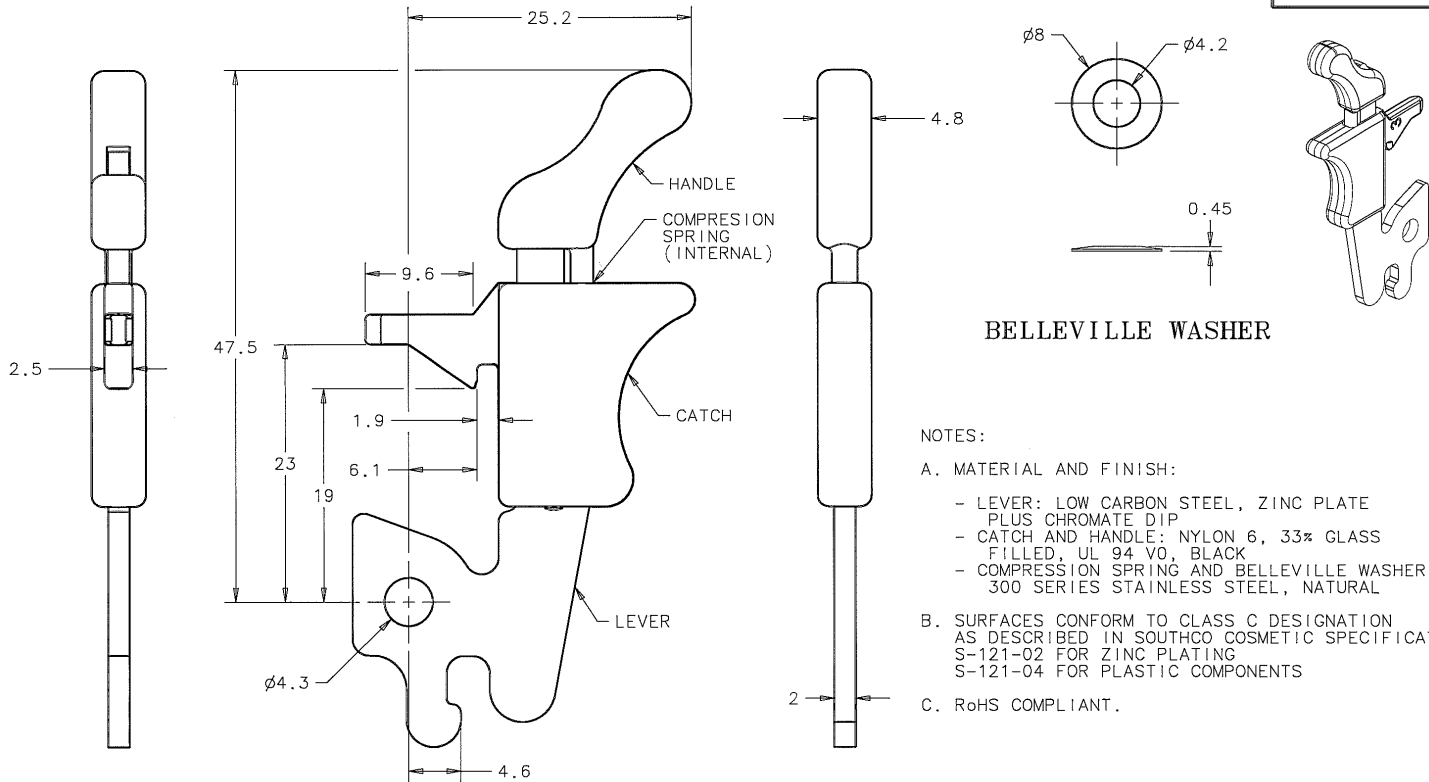
MILLIMETERS

ALL DIMENSIONS WITHOUT TOLERANCES ARE FOR REFERENCE ONLY.

THIRD ANGLE PROJECTION

A4 PAPER SIZE

SHEET 1 OF 2



- NOTES:
- A. MATERIAL AND FINISH:
 - LEVER: LOW CARBON STEEL, ZINC PLATE PLUS CHROMATE DIP
 - CATCH AND HANDLE: NYLON 6, 33% GLASS FILLED, UL 94 V0, BLACK
 - COMPRESSION SPRING AND BELLEVILLE WASHER: 300 SERIES STAINLESS STEEL, NATURAL
 - B. SURFACES CONFORM TO CLASS C DESIGNATION AS DESCRIBED IN SOUTHCO COSMETIC SPECIFICATIONS: S-121-02 FOR ZINC PLATING S-121-04 FOR PLASTIC COMPONENTS
 - C. RoHS COMPLIANT.

southco

PROPRIETARY ITEM - EXCEPT FOR USES EXPRESSLY GRANTED IN WRITING INFORMATION DISCLOSED HEREON IS CONFIDENTIAL AND ALL RIGHTS PATENT AND OTHERWISE ARE RESERVED BY SOUTHCO, INC.

EJECTOR
1mm FACEPLATE, PLUNGER MICROSWITCH

DATE: 02MAY2005
DRAWN: RES
CHKD: AJH
SCALE: 1:1

DRAWING NUMBER: **J-P7-A-533-11**

REV	DATE	DRAWN/CHKD	DESCRIPTION	PART NUMBER	MATERIAL AND FINISH	COLOR
A	27JAN2006	MDY/AJH	PRN: P2006-0182	P7-A-533-11	SEE NOTE A	SEE NOTE A
B	21JUN2006	AJH/MDY	PRN: P2006-0862	P7-A-533-11-XXX	SEE NOTE A	SEE J-47-0-3 FOR COLOR ONLY
C	15JUN2007	RES/AJH	PRN: P2007-0786			
D	11JAN2008	VSV/VGV	PRN: P2008-0032			

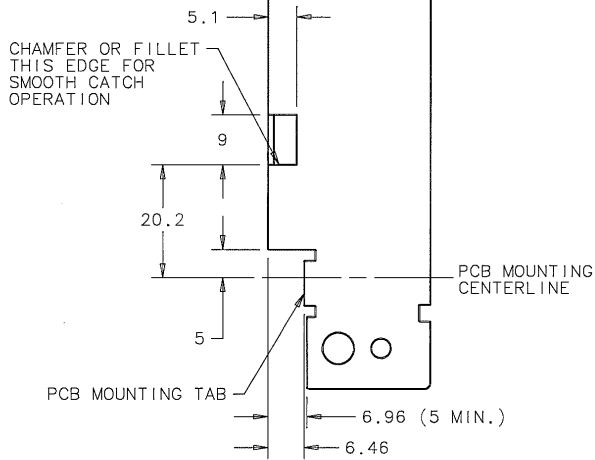
MILLIMETERS

ALL DIMENSIONS WITHOUT TOLERANCES ARE FOR REFERENCE ONLY.

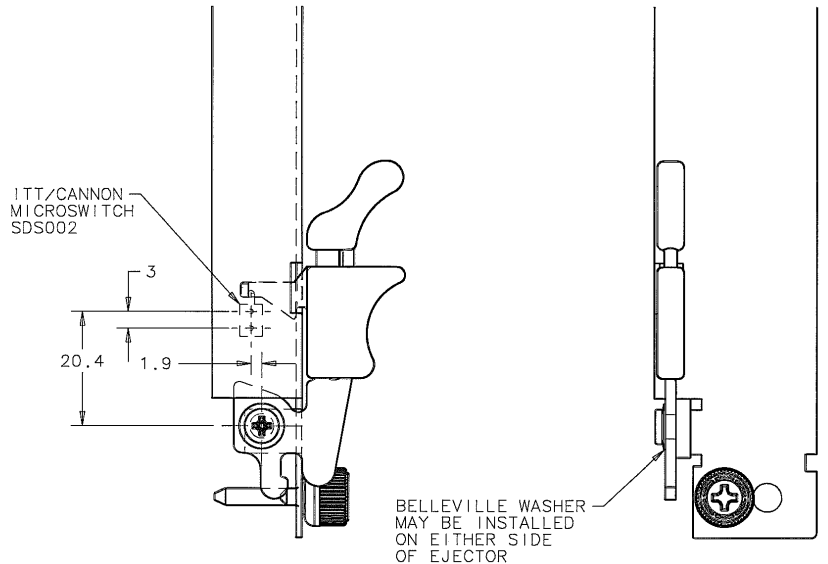
THIRD ANGLE PROJECTION

A4 PAPER SIZE

SHEET 2 OF 2



PANEL PREPARATION
FACEPLATE THICKNESS 1mm



EJECTOR INSTALLATION