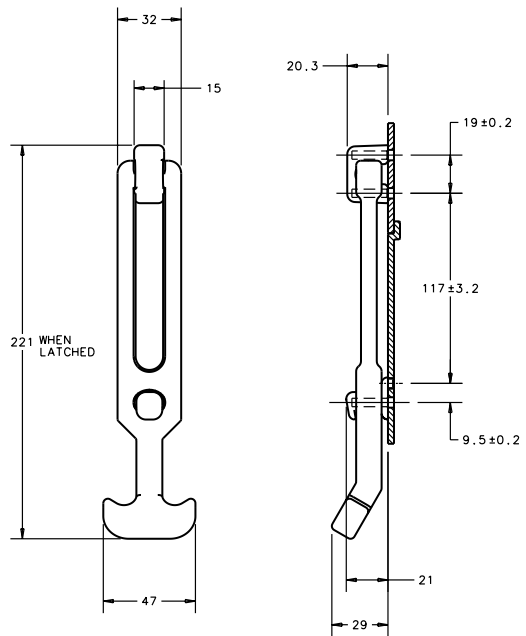
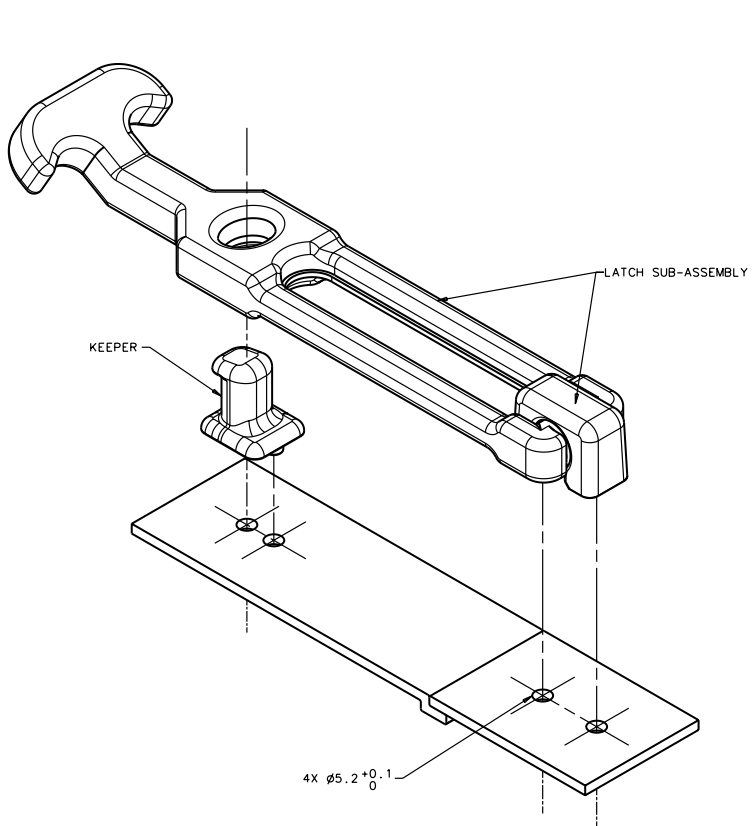


DRAWING NUMBER
J-F 7-72



INSTALLED VIEWS
(SCALE .5:1)

- NOTES:
1. LATCH ASSEMBLY CONSISTS OF:
SUB-ASSEMBLY:
HANDLE - TPE, BLACK
BRACKET - G.R. NYLON, BLACK
KEEPER - G.R. NYLON, BLACK
 2. LATCH SUB-ASSEMBLY, KEEPER, AND
SCREWS SHIPPED SEPARATELY; BULK.
FOR LATCHES PACKAGED ONE PER BAG,
ADD -P TO PART NUMBER.
 3. MOUNT USING (3) M5 THREAD SCREWS
(NOT SUPPLIED).
SCREW LENGTH = PANEL THICKNESS PLUS 12.7