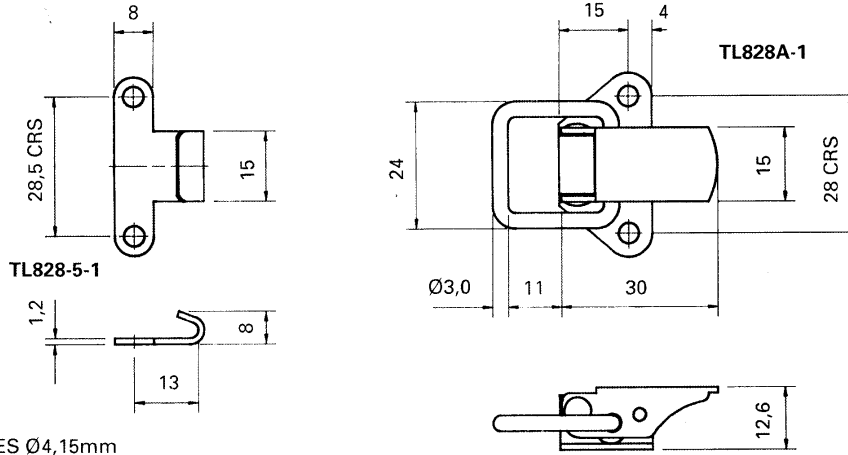


This latch has similar dimension to our popular mild steel TL808A, but is available only in stainless steel. The latch is normally used with the TL828-5-1 strike. Where environmental conditions prescribe the use of stainless steel, this is an economically priced latch for such duties.

TECHNICAL DATA

Max. safe load without distortion	: 800N (180lbf)
Ultimate tension	: 1200N (270lbf)
Pull up	: 5,00mm
Material	: Stainless Steel 1,2mm
Finish	: Clean



FIXING HOLES Ø4,15mm

INSTALLATION DATA

Latches and strikes may be fitted with either Ø4mm round head rivets, #6 unified round screws or #6 round head wood screws. Fixing holes on latches and strikes are Ø4,15mm Posn. Tol. ± 0,25mm

TYPICAL APPLICATIONS FOR TOGGLE LATCHES

