

southco

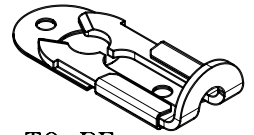
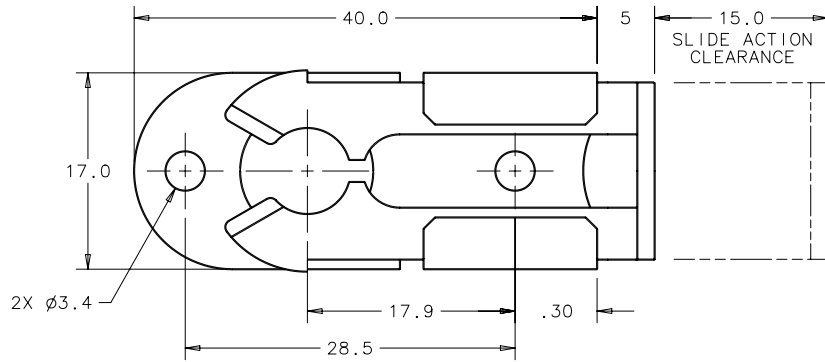
PROPRIETARY ITEM - EXCEPT FOR USES EXPRESSLY GRANTED IN WRITING INFORMATION DISCLOSED HEREON IS CONFIDENTIAL AND ALL RIGHTS PATENT AND OTHERWISE ARE RESERVED BY SOUTHCO, INC.

MODIFIED TL SLIDE LATCH ASSEMBLY

DATE	DRAWN	CHKD	SCALE	DRAWING NUMBER
25SEPT2007	KPL	MJS	2:1	J-TL-99-134-M

REV	DATE	DRAWN/CHKD	DESCRIPTION	PART NUMBER	MATERIAL	FINISH	HANDLE TYPE	MILLIMETERS
				TL-99-134	STEEL	ZINC PLATE, CHROMATE DIP	UP	
								ALL DIMENSIONS WITHOUT TOLERANCES ARE FOR REFERENCE ONLY.
								 THIRD ANGLE PROJECTION  A PAPER SIZE

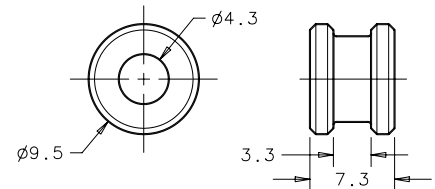
NOTE: SAME AS TL-05-100-07 PACKAGED WITH TWO TL-05-114-07 (SPACERS) AND TL-05-117-07 (KEEPER).



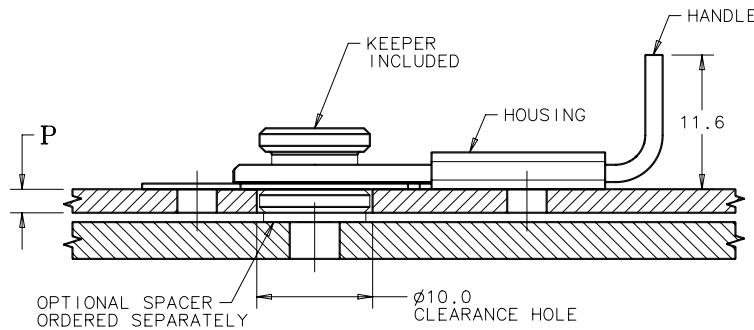
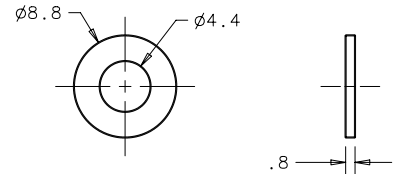
TO BE USED WITH



KEEPER (INCLUDED)
PART NO. TL-05-117-07



STEEL SPACER (TWO INCLUDED)
PART NO. TL-05-114-07



PANEL THICKNESS P	REQUIRED NO. OF SPACERS
1.7 - 2.0	0
2.1 - 3.25	1
3.27 - 4.1	2