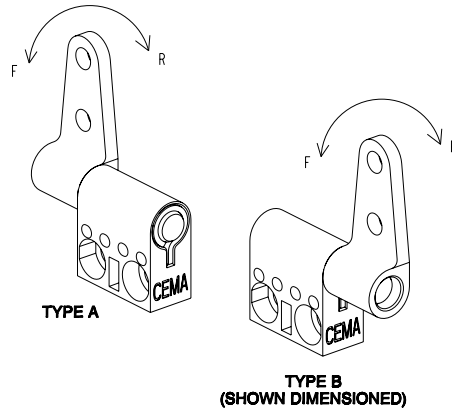
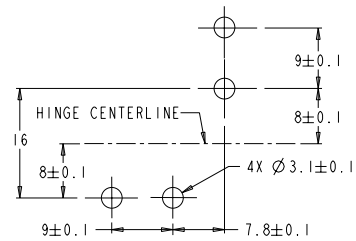


PROPRIETY ITEM - EXCEPT FOR USES EXPRESSLY GRANTED IN WRITING.
 INFORMATION DISCLOSED HEREON IS CONFIDENTIAL AND ALL RIGHTS
 PATENT AND OTHERWISE ARE RESERVED BY SOUTHCO, INC.

- NOTES:
 1. MATERIAL & FINISH:
 HOUSING AND ADAPTER - ZINC ALLOY,
 FOR FINISH SEE TABLE
 SHAFT AND TORQUE ELEMENTS - HARDENED STEEL
 2. INSTALL HINGE USING No. 4 SOCKET HEAD
 CAP SCREWS.
 3. FOR PROPER FUNCTION, ASSEMBLY MUST INCLUDE
 (1) TYPE "A" & (1) TYPE "B" HINGE

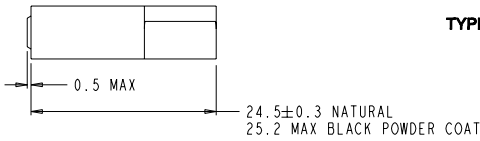


REVISION RECORD			
SYMB	DESCRIPTION	BY	DATE
E	PRN: P2007-1339	SMK	25OCT2007



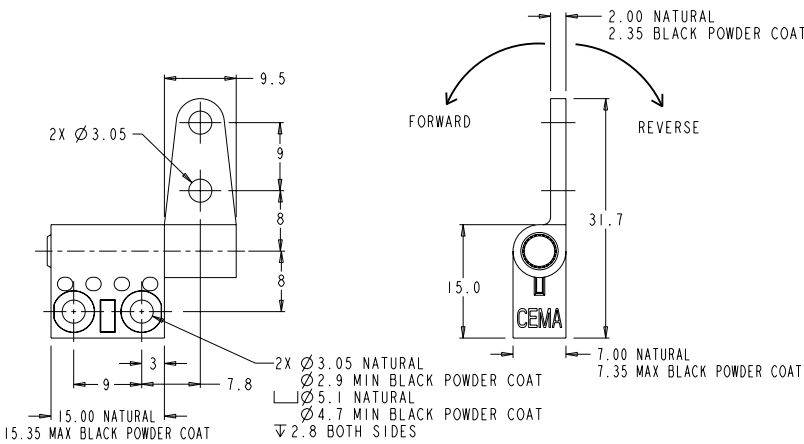
PANEL PREPARATION

PART NUMBER	DESCRIPTION	FINISH
ST-7A-XXXX-33	ASSEMBLY - AS CAST	NATURAL
ST-7A-XXXX-50	ASSEMBLY - COATED	BLACK POWDER COAT



PART NUMBER		STATIC TORQUE ±20%	
TYPE A	TYPE B	FORWARD (IN-LBF)	REVERSE (IN-LBF)
ST-7A-30SA-XX	ST-7A-30SB-XX	3	3
ST-7A-40SA-XX	ST-7A-40SB-XX	4	4
ST-7A-50SA-XX	ST-7A-50SB-XX	5	5
ST-7A-40FA-XX	ST-7A-40FB-XX	4	2.4*
ST-7A-50FA-XX	ST-7A-50FB-XX	5	3*
ST-7A-60FA-XX	ST-7A-60FB-XX	6	3.6*
ST-7A-40RA-XX	ST-7A-40RB-XX	2.4*	4
ST-7A-50RA-XX	ST-7A-50RB-XX	3*	5
ST-7A-60RA-XX	ST-7A-60RB-XX	3.6*	6
ST-7A-70RA-XX	ST-7A-70RB-XX	4.2*	7

*TOLERANCE IN LOW TORQUE DIRECTION ±30%



ALL DIMENSIONS ARE IN MILLIMETERS ALL DIMENSIONS WITHOUT TOLERANCES ARE FOR REFERENCE ONLY	southco		TITLE ST-7A HINGE ASSEMBLY	
	DESIGNER AS 01MAR06	DRAFTER JM 01MAR06	DWG No J-ST-7A	REVISION D
	MODEL NAME ST7A_R	SCALE 2.000	PART NUMBER AS NOTED	
			CALC. WEIGHT/VOL.	FORMAT B